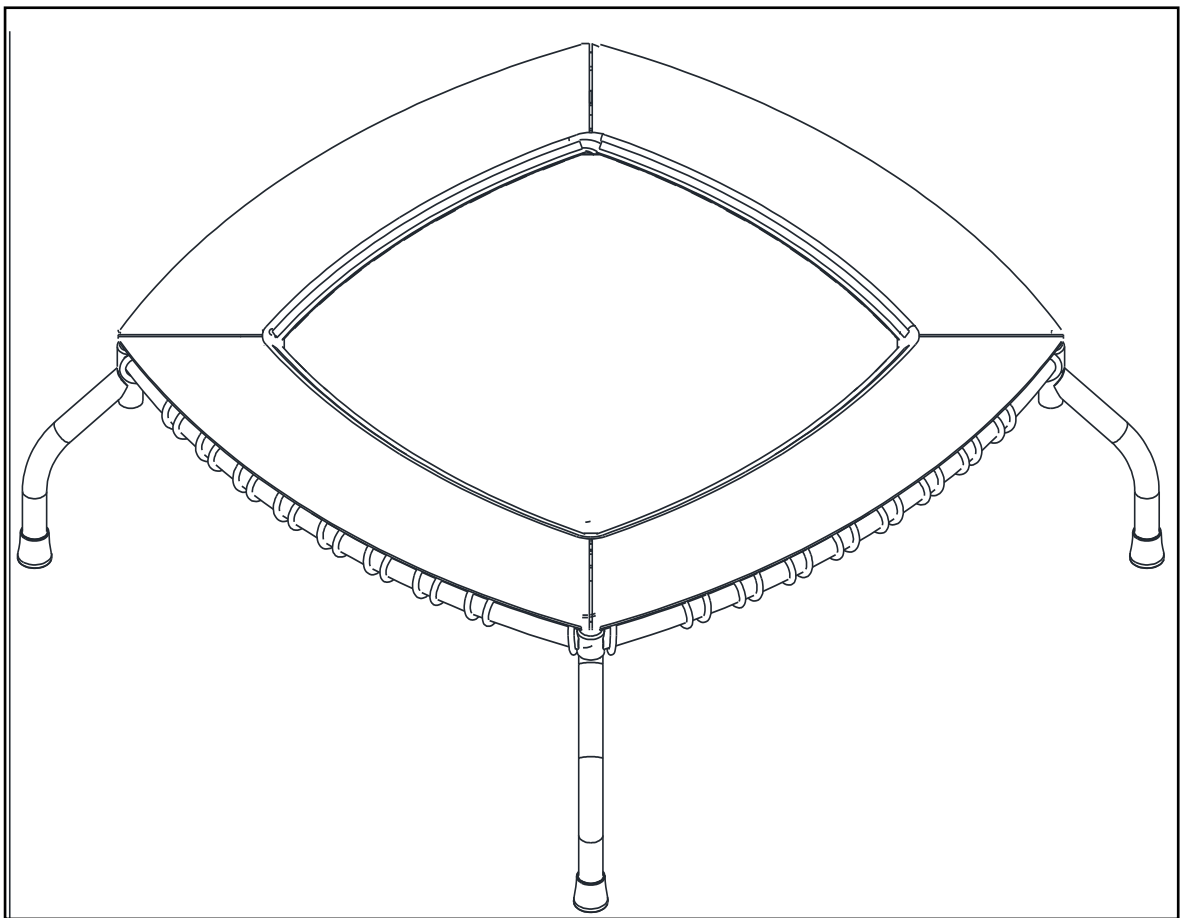




# EXERCISE TRAMPOLINE – 40 INCHES

**SF-S021048**

**USER MANUAL**



**IMPORTANT!** Please retain owner's manual for maintenance and adjustment instructions. Your satisfaction is very important to us, **PLEASE DO NOT RETURN UNTIL YOU HAVE CONTACTED US:** [support@sunnyhealthfitness.com](mailto:support@sunnyhealthfitness.com) or 1-877-90SUNNY (877-907-8669).



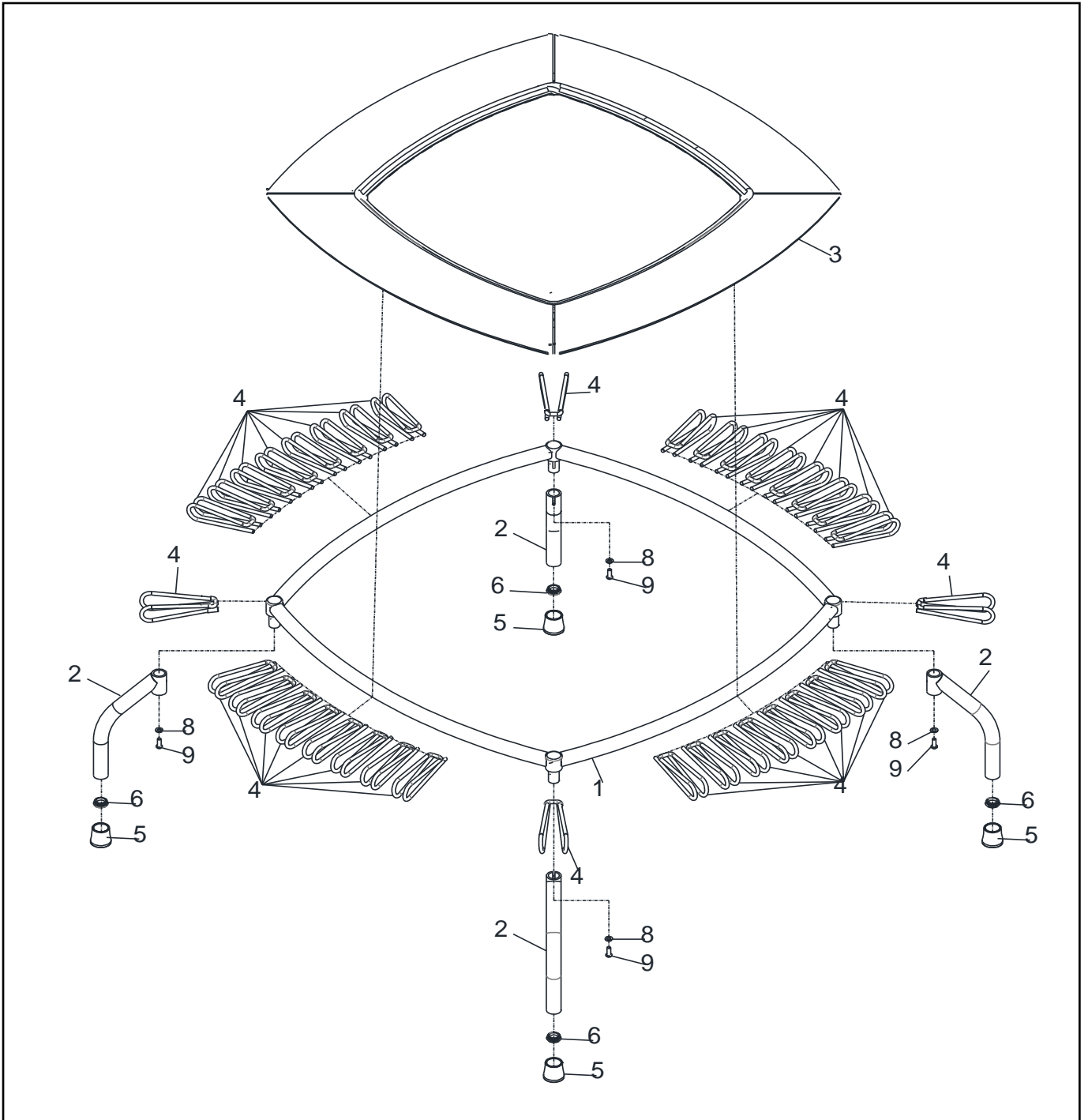
[WWW.SUNNYHEALTHFITNESS.COM](http://WWW.SUNNYHEALTHFITNESS.COM)

# **IMPORTANT SAFETY INFORMATION**

We thank you for choosing our product. To ensure your safety and health, please use this equipment correctly. It is important to read this entire manual before assembling and using the equipment. Safe and effective use can only be achieved if the equipment is assembled, maintained, and used properly. It is your responsibility to ensure that all users of the equipment are informed of all warnings and precautions.

1. Before starting any exercise program, you should consult your physician to determine if you have any medical or physical conditions that could put your health and safety at risk or prevent you from using the equipment properly. Your physician's advice is essential if you are taking medication that affects your heart rate, blood pressure, or cholesterol level.
2. Be aware of your body's signals. Incorrect or excessive exercise can damage your health. Stop exercising if you experience any of the following symptoms: pain, tightness in your chest, irregular heartbeat, shortness of breath, lightheadedness, dizziness, or feelings of nausea. If you do experience any of these conditions, you should consult your physician before continuing with your exercise program.
3. Keep children and pets away from the equipment. The equipment is designed for adult use only.
4. Use the equipment on a solid, flat level surface with a protective cover for your floor or carpet. To ensure safety, the equipment should have at least 2 feet (60 cm) of free space all around it.
5. Ensure that all nuts and bolts are securely tightened before using the equipment. The safety of the equipment can only be maintained if it is regularly examined for damage and/or wear and tear.
6. Always use the equipment as indicated. If you find any defective components while assembling or checking the equipment, or if you hear any unusual noises coming from the equipment during exercise, discontinue use of the equipment immediately and do not use until the problem has been rectified.
7. Wear suitable clothing while using the equipment. Avoid wearing loose clothing that may become entangled in the equipment.
8. Do not place fingers or objects into the moving parts of the equipment.
9. The maximum weight capacity of this unit is 285 lbs (130 kgs).
10. The equipment is not suitable for therapeutic use.
11. To avoid bodily injury and/or damage to the product or property, proper lifting and moving are required.
12. Your product is intended for use in cool, dry conditions. You should avoid storage in extreme cold, hot, or damp areas as this may lead to corrosion and other related problems.
13. This equipment is designed for indoor and home use only; it is not intended for commercial use.

# EXPLODED DIAGRAM

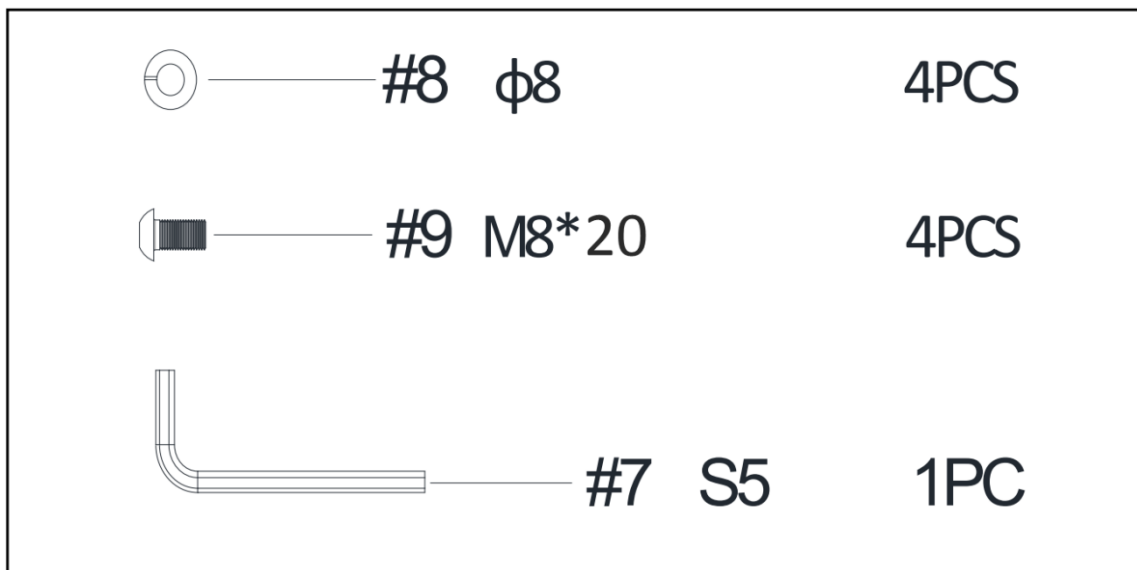


## PARTS LIST

No.	Description	Spec.	Qty
1	Main Frame	Φ32*2.0*870	1
2	Support Tube	Φ32*2.0*312	4
3	Spring Fabric Cover	770*770	1
4	Elastic String	Φ8*670	36
5	Foot Pad	Φ45*40	4

No.	Description	Spec.	Qty
6	End Cap	Φ32*9	4
7	Allen Wrench	S5	1
8	Spring Washer	Φ8	4
9	Screw	M8*20	4

## HARDWARE PACKAGE



### Ordering Replacement Parts (U.S. and Canadian Customers only)

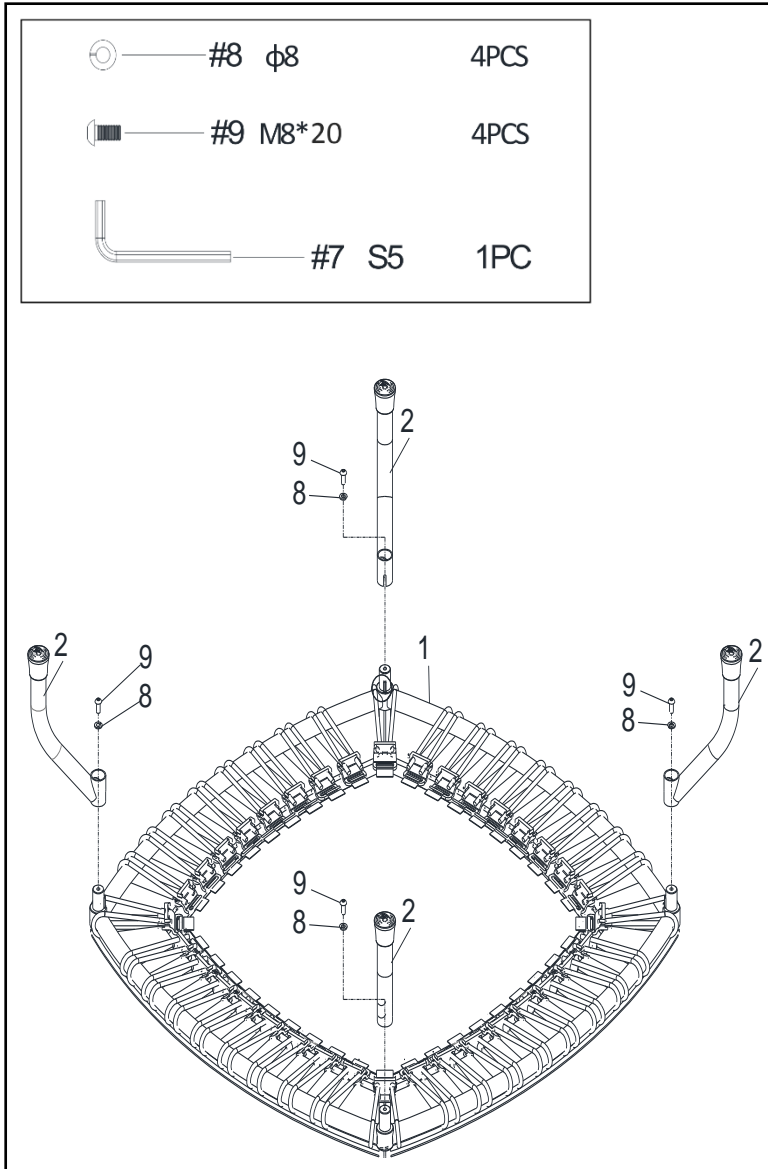
Please provide the following information in order for us to accurately identify the part(s) needed:

- ✓ The model number (found on cover of manual)
- ✓ The product name (found on cover of manual)
- ✓ The part number found on the “EXPLODED DIAGRAM” and “PARTS LIST” (found near the front of the manual)

Please contact us at [support@sunnyhealthfitness.com](mailto:support@sunnyhealthfitness.com) or 1-877-90SUNNY (877-907-8669).

# ASSEMBLY INSTRUCTIONS

We value your experience using Sunny Health and Fitness products. For assistance with parts or troubleshooting, please contact us at [support@sunnyhealthfitness.com](mailto:support@sunnyhealthfitness.com) or 1-877-90SUNNY (877-907-8669).



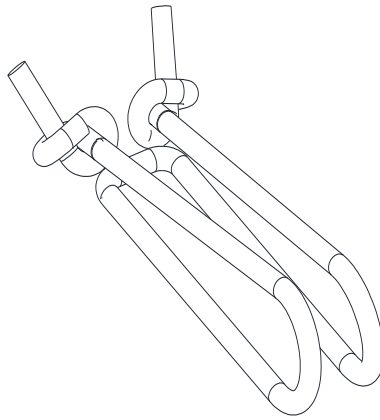
## STEP 1:

Attach 4 **Support Tubes (No. 2)** to **Main Frame (No. 1)** using 4 **Spring Washers (No. 8)** and 4 **Screws (No. 9)**. Tighten and secure by **Allen Wrench (No. 7)**.

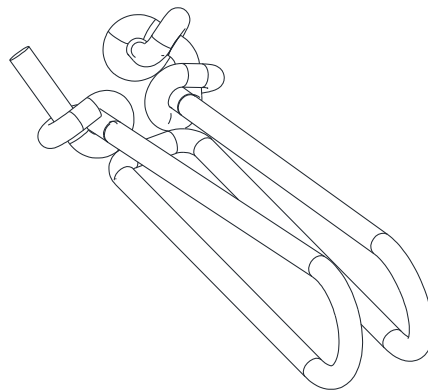
*The assembly is complete!*

# ADJUSTMENT GUIDE

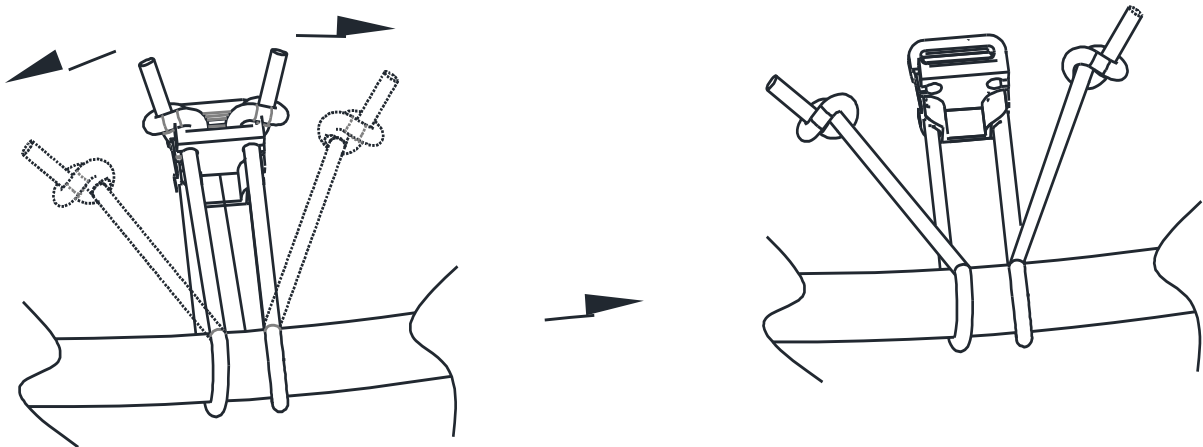
There would be only a knot at each end of the **Elastic String (No. 4)** for this trampoline at the beginning, as below picture showed.



After a period of use, if you feel that the **Elastic String (No. 4)** is not tight enough, you can remove the **Elastic String (No. 4)** and tie one or more knots until the **Elastic String (No. 4)** is tight enough, as below picture showed.



Remove the **Elastic String (No. 4)** as below picture showed.



# **MAINTENANCE INSTRUCTIONS**

## **DAILY MAINTENANCE**

1. Inspect and tighten all parts regularly. (Nuts, Bolts, etc.)
2. If there is the below conditions, please replace the parts immediately to avoid any injury.
  - (1) Punctures, frays, tears, or holes worn in the bed or edge system;
  - (2) Deterioration of the stitching or fabric of the bed or edge system;
  - (3) A sagging bed;
  - (4) Broken or missing suspension elements or suspension elements disconnected from the bed edge;
  - (5) A bent or broken frame or sharp protrusions on the frame.
3. Check and ensure the trampoline is levelled at all time.

## **WEEKLY MAINTENANCE**

Use damp cloth on plastic parts only, use dry cloth on metal frames.  
Inspect the metal frame structure of the trampoline.

## **WARNING**

1. Step on and off trampoline, do not jump. Do not use as a rebounding surface to any other object.
2. One jumper on trampoline at a time.
3. Practice controlled jumping, stop exercise if you feel faint or dizzy.
4. Do not attempt or allow somersaults. Landing on the head or neck can cause serious injury, paralysis, or death, even when landing in the middle of the bed.
5. Remove any obstructions from beneath the trampoline.

Version: 1.1

# CONNECT WITH US

FOR FITNESS  
ARTICLES, VIDEOS  
& WORKOUTS



@SUNNYHEALTHANDFITNESS



@SUNNYHEALTHFITNESS



@SUNNYHEALTHFIT



/SUNNYHEALTHFITNESS



/SUNNYHEALTHANDFITNESS



@SUNNYHEALTHFITNESS

[WWW.SUNNYHEALTHFITNESS.COM](http://WWW.SUNNYHEALTHFITNESS.COM)