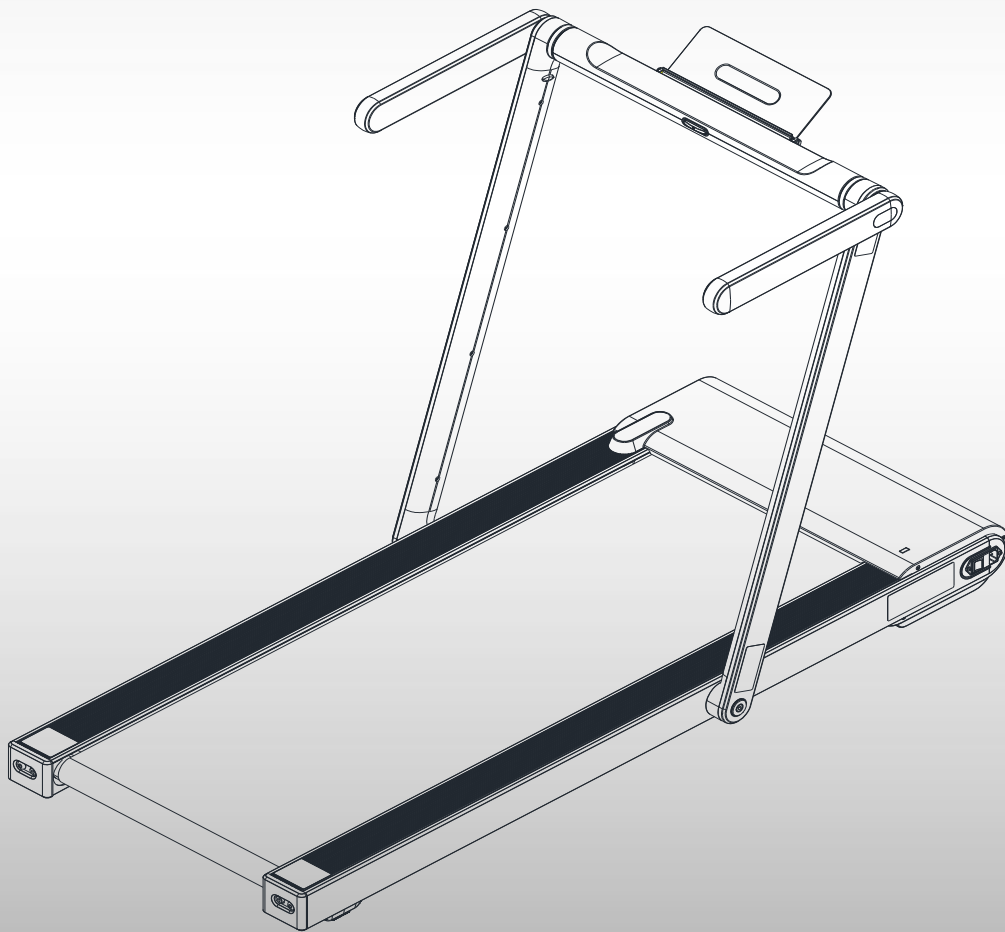


ASUNA

ASUNA 8730

SLIM FOLDING MOTORIZED

TREADMILL



*Owner's Manual
Made in China*

INDEX

IMPORTANT SAFETY INFORMATION.....	1
EXPLODED DRAWING.....	2-3
PARTS LIST.....	4-6
TOOLS & HARDWARE.....	7
ASSEMBLY INSTRUCTIONS.....	8-9
FOLDING INSTRUCTIONS.....	10-11
MOVING INSTRUCTIONS.....	12
SPECIFICATION.....	13
IMPORTANT ELECTRICAL INFORMATION.....	14
OPERATING INSTRUCTIONS.....	15
DISPLAY CONSOLE.....	16-18
MAINTENANCE INSTRUCTIONS.....	19
MAINTENANCE GUIDELINES.....	20
LUBRICATION.....	21



ATTENTION:

Please verify that all parts associated with this product are in good condition and accounted for. During the assembly process, please be sure to follow each step accordingly, as it has been explained within this manual.

WARNING: During assembly, it is recommended that all bolts be tightened by hand. Upon completing assembly, bolts should be secured using the wrench provided. To avoid injury, check bolts carefully before use.

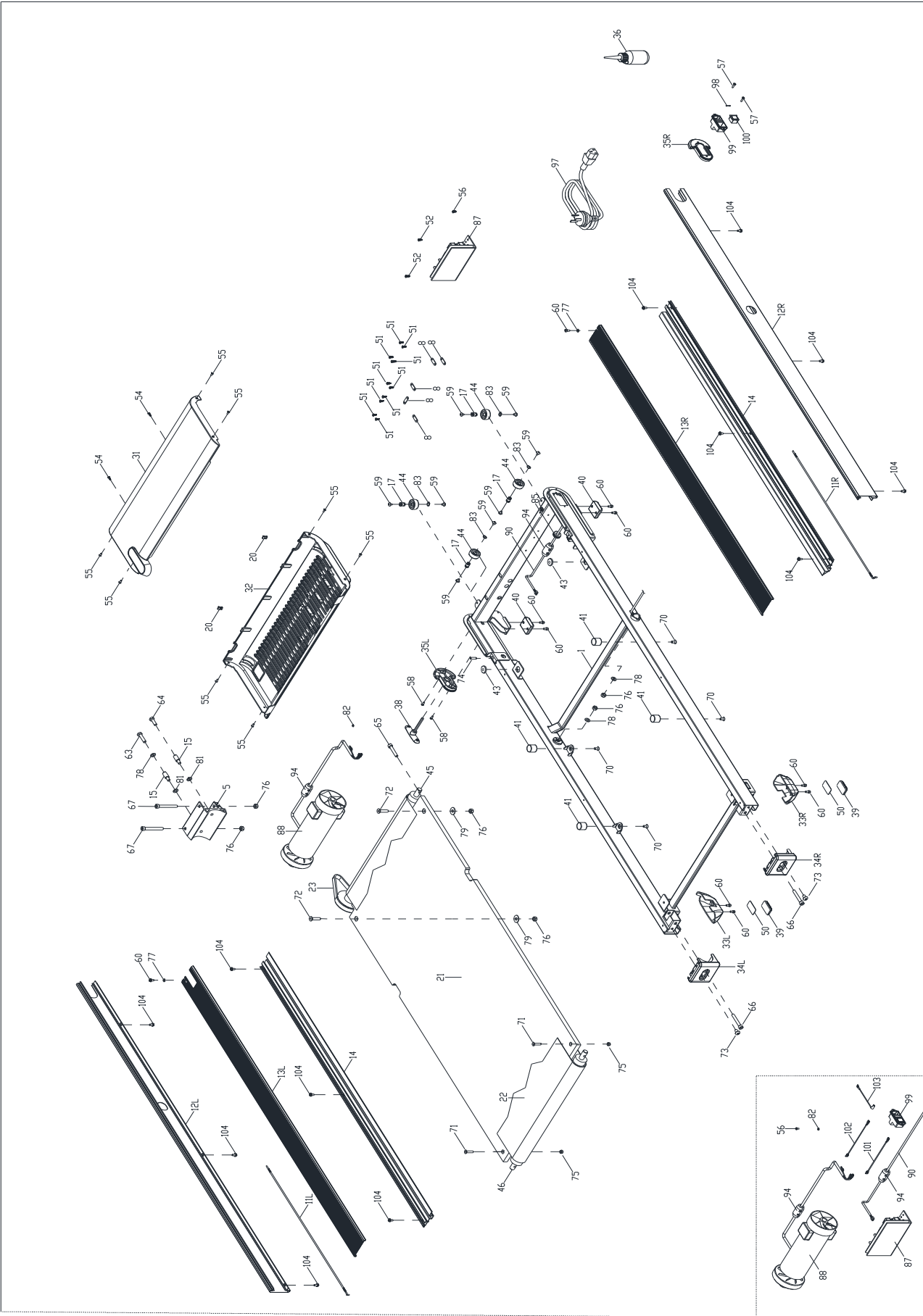
IMPORTANT: Read all instructions carefully before using this product. Retain owner's manual for future reference. For customer service, please contact: support@sunnyhealthfitness.com

IMPORTANT SAFETY INFORMATION

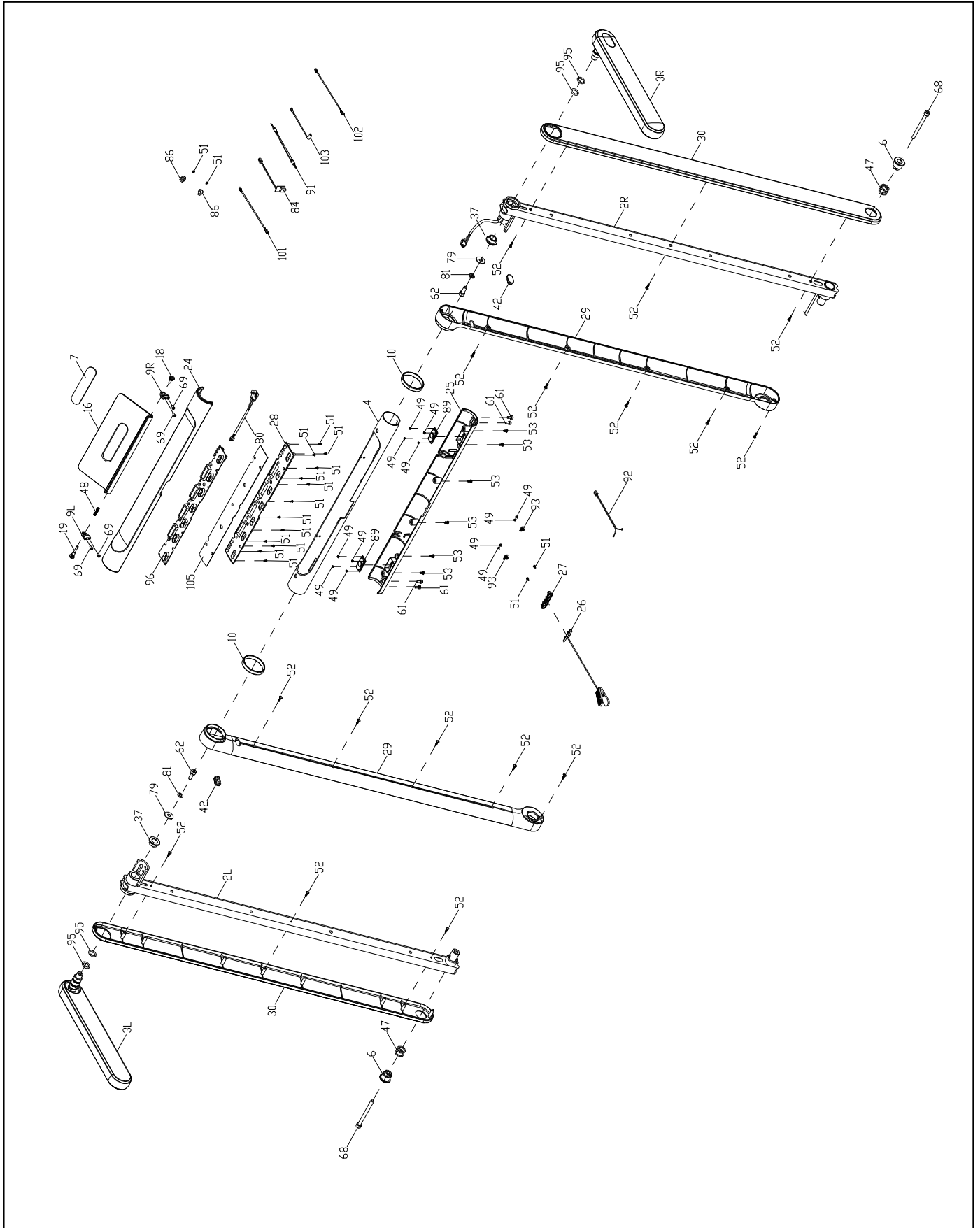
We thank you for choosing our product. To ensure your safety and health, please use this equipment correctly. It is important to read this entire manual before assembling and using the equipment. Safe and effective use can only be achieved if the equipment is assembled, maintained, and used properly. It is your responsibility to ensure that all users of the equipment are informed of all warnings and precautions.

1. Before starting any exercise program, you should consult your physician to determine if you have any medical or physical conditions that could put your health and safety at risk or prevent you from using the equipment properly. Your physician's advice is essential if you are taking medication that affects your heart rate, blood pressure, or cholesterol level.
2. Be aware of your body's signals. Incorrect or excessive exercise can damage your health. Stop exercising if you experience any of the following symptoms: pain, tightness in your chest, irregular heartbeat, shortness of breath, lightheadedness, dizziness, or feelings of nausea. If you do experience any of these conditions, you should consult your physician before continuing with your exercise program.
3. Keep children and pets away from the equipment. The equipment is designed for adult use only.
4. Use the equipment on a solid, flat level surface with a protective cover for your floor or carpet. To ensure safety, the equipment should have at least 8 feet (240CM) of free space behind it and 2 feet (60CM) on each side. Do not place the treadmill on any surface that blocks air openings. To protect the floor or carpet from damage, place a mat under the treadmill.
5. Ensure that all nuts and bolts are securely tightened before using the equipment. The safety of the equipment can only be maintained if it is regularly examined for damage and/or wear and tear.
6. Always use the equipment as indicated. If you find any defective components while assembling or checking the equipment, or if you hear any unusual noises coming from the equipment during exercise, discontinue use of the equipment immediately and do not use until the problem has been rectified.
7. Wear suitable clothing while using the equipment. Avoid wearing loose clothing that may become entangled in the equipment.
8. Do not place fingers or objects into the moving parts of the equipment.
9. The maximum weight capacity of this unit is 220 pounds (100 KG).
10. The equipment is not suitable for therapeutic use.
11. To avoid bodily injury and/or damage to the product or property, proper lifting and moving are required.
12. Your product is intended for use in cool and dry conditions. You should avoid storage in extreme cold, hot or damp areas as this may lead to corrosion and other related problems.
13. This equipment is designed for indoor and home use only; it is not intended for commercial use!

Exploded Drawing 1



Exploded Drawing 2



Parts List

NO.	DESCRIPTION	SPEC.	QTY
1	Main Frame		1
2 L/R	L/R Upright		2
3 L/R	Foam Handrail		2
4	Meter Bracket Horizontal Tube		1
5	Motor Seat		1
6	Nut	Φ30*23.7H	2
7	Pad Bracket Single- sided Adhesive Tape		1
8	Cable Press Sheet		5
9 L/R	Pad Connecting Seat		2
10	Meter Ring		2
11 L/R	Side Fixing Hook		2
12 L/R	Aluminum Alloy Side Rail	22*75*1442L	2
13 L/R	Side Rail Insert Sheet	7.4*79.7*1288L	2
14	Side Rail	73.9*16.7*1218 L	2
15	Motor Adjusting Screw	Φ12*M8*34.5L	2
16	Pad Bracket		1
17	Supporting Wheel Axis		4
18	Pad Bracket Fixing Screw Right		1
19	Pad Bracket Fixing Screw Left		1
20	M4 Nut Clip Plate		2
21	Running Board		1
22	Running Belt		1
23	Belt		1

NO.	DESCRIPTION	SPEC.	QTY
24	Meter Upper Cover		1
25	Meter Under Cover		1
26	Safety Key		1
27	Safety Key Seat		1
28	PC Board Light Bracket		1
29	Inner Upright Decorative Cover		2
30	Outer Upright Decorative Cover		2
31	Upper Motor Cover		1
32	Motor Bottom Cover		1
33 L/R	Rear Foot Cover		2
34 L/R	Rear End Cap		2
35 L/R	Side Foot Cover		2
36	Silicone Oil		1
37	Sleeve		2
38	Tool		1
39	Rear Foot Cover Pad		2
40	Bracket Front Supporting Pad		2
41	Cushion		4
42	Rubber Spacing Cushion		2
43	Running Board Shock Absorber		2
44	Transportation Wheel		4
45	Front Roller		1
46	Rear Roller		1

NO.	DESCRIPTION	SPEC.	QTY
47	Compression Spring	Φ18*Φ23*Φ2.5*18.5L	2
48	Compression Spring	Φ0.6*Φ4.9*23L	1
49	Screw	M2.5*5	12
50	Rear Supporting Foot Pad Dual Adhesive Tape		2
51	Screw	M3*8	27
52	Screw	M4*15	18
53	Screw	M4*12	6
54	Screw	M4*15	2
55	Screw	M4*10	8
56	Screw	M4*8	3
57	Screw	M4*15	2
58	Screw	M4*10	2
59	Screw	M5*8	8
60	Screw	M5*10	10
61	Screw	M6*10	4
62	Screw	M8*20	2
63	Screw	M8*25	1
64	Screw	M8*40	1
65	Screw	M8*45	1
66	Screw	M8*55	2
67	Screw	M8*70	2
68	Screw	M8*85	2
69	Screw	M4*8	4

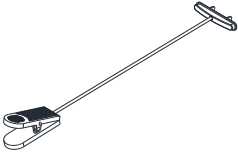
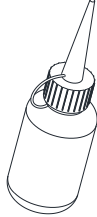
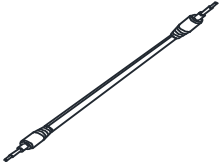
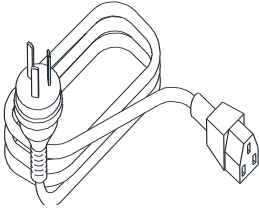
NO.	DESCRIPTION	SPEC.	QTY
70	Screw	M6*12	4
71	Screw	M6*27	2
72	Screw	M8*35	2
73	Screw	M8*12	2
74	Screw	M6*30	1
75	Nut	M6	2
76	Nut	MB	6
77	Washer	Φ5.5*Φ12*T1.2	2
78	Washer	Φ9*Φ16*T1.6	3
79	Washer	Φ9*Φ23*T1.6	4
80	Upper Wire	M10*45	1
81	Washer	Φ8.1*Φ12.3*T2.	4
82	Washer	Φ4.1*Φ4.4*T1.0	1
83	C-shape Snap Ring	Match Φ10	4
84	Audio Signal Input Connecting Line		1
85	Ring Wire Plug		1
86	Module Fixing Cap		2
87	Control Board		1
88	DC Motor		1
89	Loudspeaker and the Connecting Line		2
90	E-shape Snap Ring		1
91	MP3 Line		1
92	Safety Lock Connecting Wire		1

NO.	DESCRIPTION	SPEC.	QTY
93	Bronze Plate Seat		2
94	Magnetic Ring		2
95	O-shape Ring		4
96	Meter Keyboard		1
97	Power Cord		1
98	Fuse		1
99	Power Switch with Overload Protector		1
100	Switch		1
101	Single Wire (Red)	80mm	1

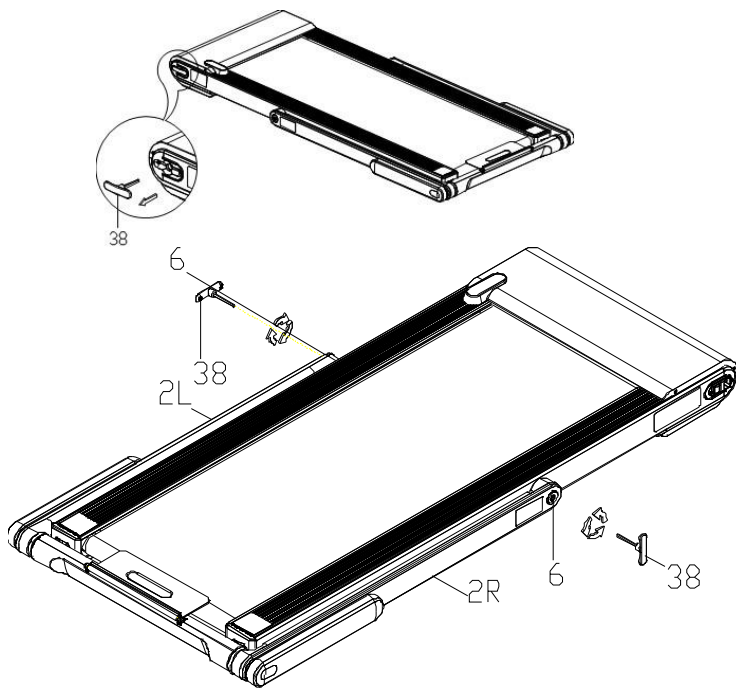
NO.	DESCRIPTION	SPEC.	QTY
102	Single Wire (Black)	80mm	1
103	Single Wire Grounding Wire	400mm	1
104	Screw	M5*10	12
105	Panel Sticker		1
106	Single Wire Grounding Wire	150mm	1
107	Single Wire Grounding Wire	250mm	1
108	Single Wire (Red)	150mm	1
109	Single Wire (Black)	150mm	1
110	Filter		1

Tools & Hardware

When you open the carton, you will find the below spare parts.

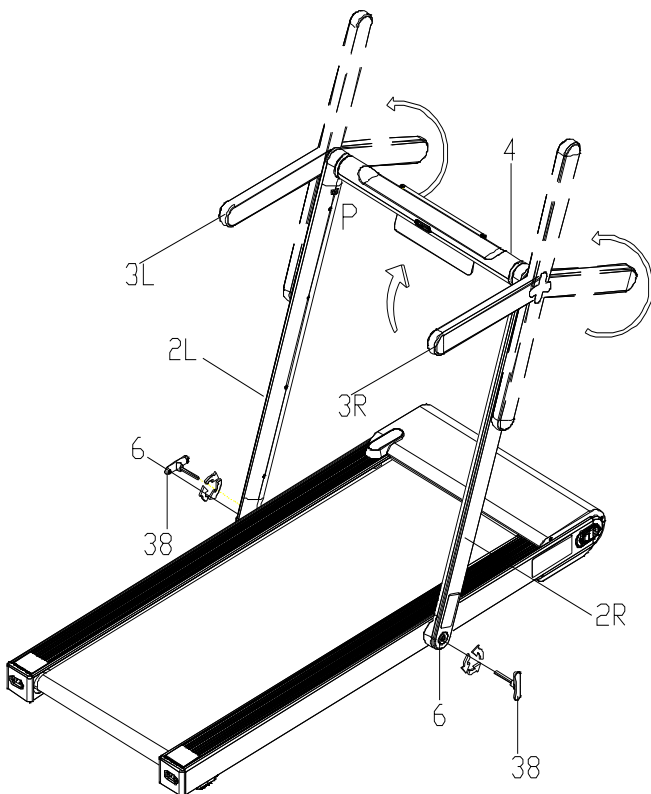
	
#26 Safety Key 1PC	#36 Silicone Oil 1PC
	
#91 MP3 Line 1PC	#97 Power Cord 1PC

Assembly Instructions



STEP 1:

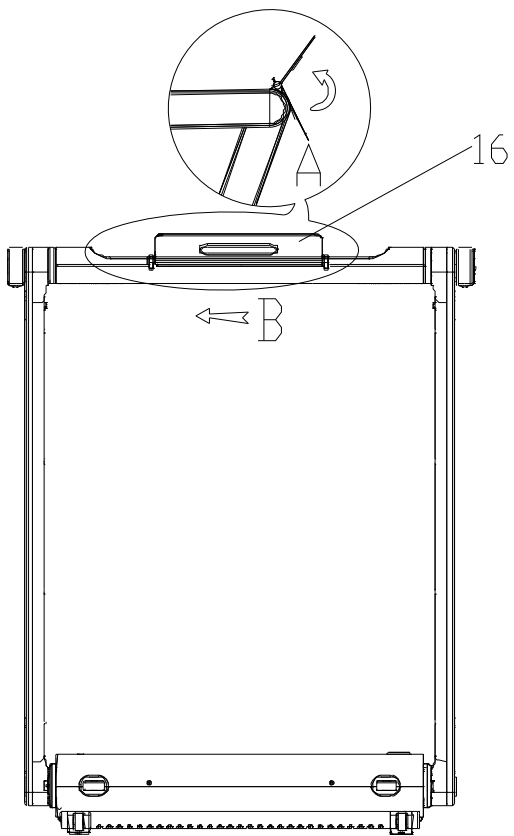
Take out **Tool (No. 38)**. Loosen 2 **Nuts (No. 6)** from the **Left & Right Uprights (No. 2L & No. 2R)** using **Tool (No. 38)**.



STEP 2:

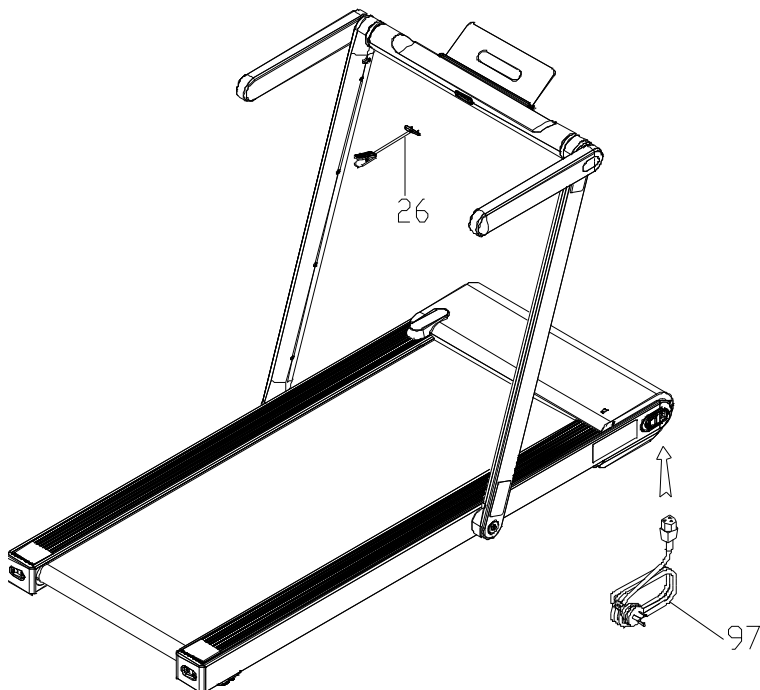
Hold the position "P" of **Meter Bracket Horizontal Tube (No. 4)** and lift the **Left & Right Uprights (No. 2L & No. 2R)**.

Tighten 2 **Nuts (No. 6)** to the **Left & Right Uprights (No. 2L & No. 2R)** using the **Tool (No. 38)**. Then, put **Tool (No. 38)** back into place and turn the **Left & Right Foam Handrails (No. 3L & No. 3R)**.



STEP 3:

Stand in front of the treadmill. Turn the **Pad Bracket (No. 16)** upward as seen in drawing A, then pull it slightly to the left as shown in the drawing B to lock in position.



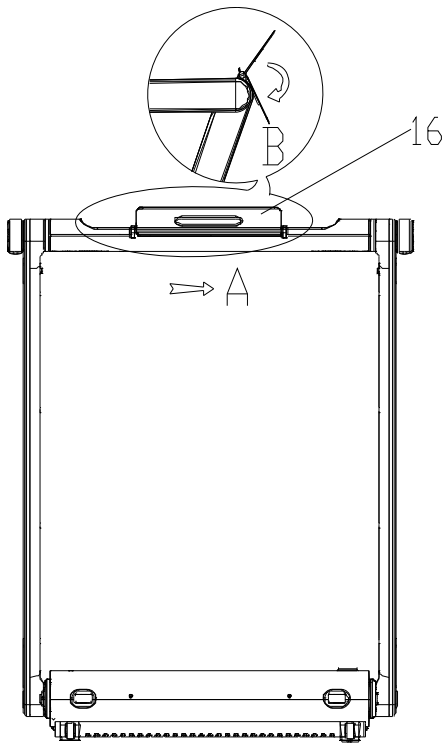
STEP 4:

Connect the **Power Cord (No. 97)** to the treadmill.

Insert the **Safety Key (No. 26)**.

The assembly is complete!

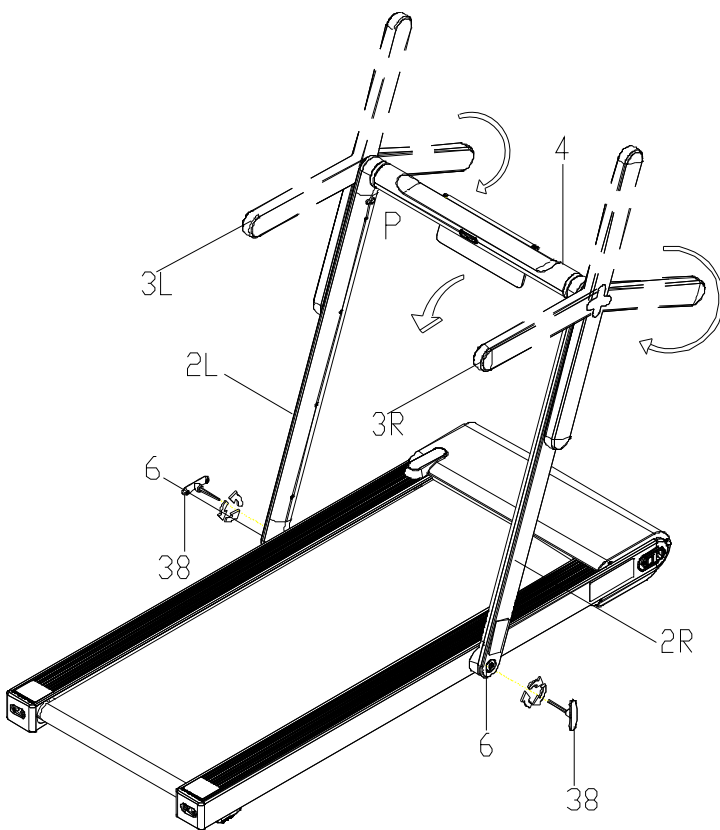
Folding Instructions

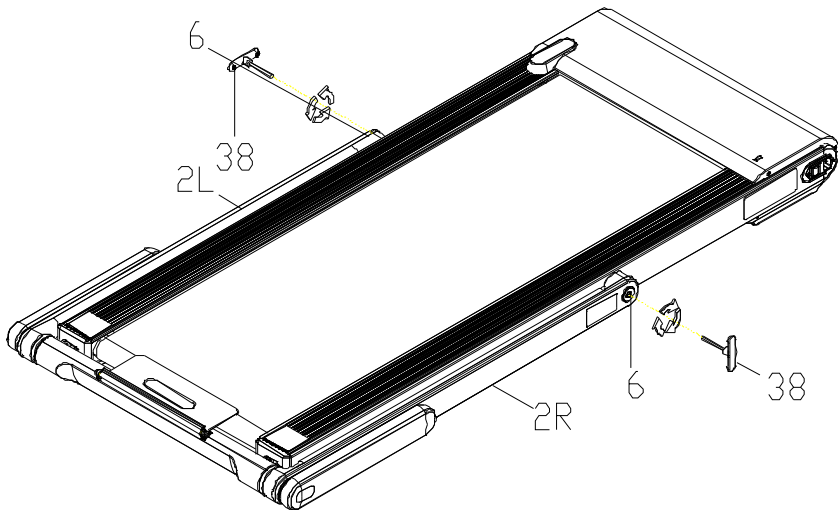


Before folding the treadmill, stand in front of the treadmill. Fold the **Pad Bracket (No. 16)** upward by pulling it to the right as shown in drawing A. Then, turn it down as shown in drawing B.

Turn the **Left & Right Foam Handrails (No. 3L & No. 3R)**.

Loosen 2 **Nuts (No. 6)** from **Left & Right Uprights (No. 2L & No. 2R)** using the **Tool (No. 38)**. Hold the position "P" of **Meter Bracket Horizontal Tube (No. 4)** and lower the **Left & Right Uprights (No. 2L & No. 2R)**.



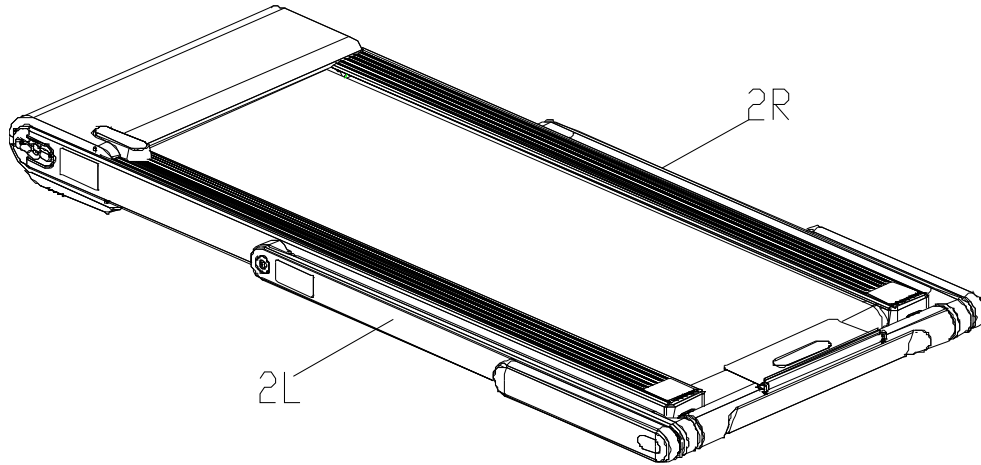


Tighten 2 Nuts (No. 6) to Left & Right Uprights (No. 2L & No. 2R) using the Tool (No. 38).

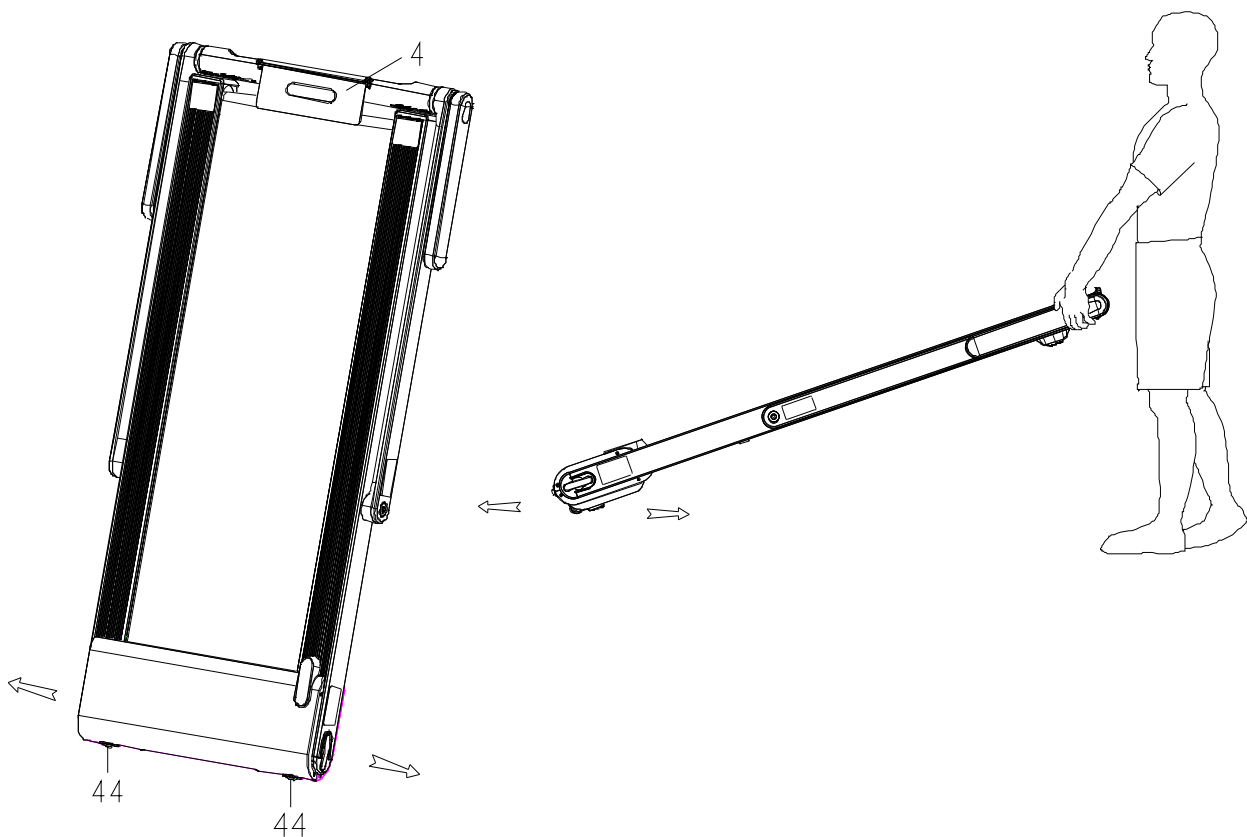
Then, put the Tool (No. 38) back into place.

Moving Instructions

Before moving the treadmill, fold the treadmill and tighten the **Left & Right Uprights (No. 2L & No. 2R)**.



After the above steps are finished, hold the **Meter Bracket Horizontal Tube (No. 4)**. Place one foot on the front base and tilt the treadmill towards you. Once the **Transportation Wheels (No. 44)** on the front base touch the ground, you can safely move the treadmill to your desired location.



Specification

Assembly Size (INCHES)	60(L)*30.3(W)*40(H)	Speed Range (MI/H)	0.6—8MI/H
Folded Standing Size (INCHES)	62.2(L)*30.3(W)*5.4(H)	Rating	930W
Running Size (INCHES)	49.2(L)*17.7(W)	Motor Spec (HP)	2.5HP(PEAK)
N.W. (LBS)	95	Input Volt (V)	110-120V
Max User Weight (LBS)	220	Operating Temperature	0-82°F
Blue Single Display	Speed, Time, Distance, Calories		

Important Electrical Information

WARNING:

This treadmill requires a power source of **10 amps (100-120V)** in order to properly operate. For your safety as well as the safety of others, please verify that the power source is correct before powering in the equipment. Any power supply source above or below this level could cause significant damage to the equipment and/or user.

GROUNDING METHODS:

This product must be grounded. Should the treadmill malfunction or breakdown, grounding provides a path of least resistance for electric current to reduce the risk of electric shock. This product is equipped with a plug that has an equipment-grounding conductor and a grounding plug. The plug must be plugged into an appropriate outlet that is properly installed and grounded in accordance with all local codes and ordinances.

This product is for use on a nominal 100-120V circuit and has a grounding plug that looks like the plug illustrated in sketch A. Ensure that the product is connected to an outlet with the same configuration as the plug. Do not use an adaptor for this product.

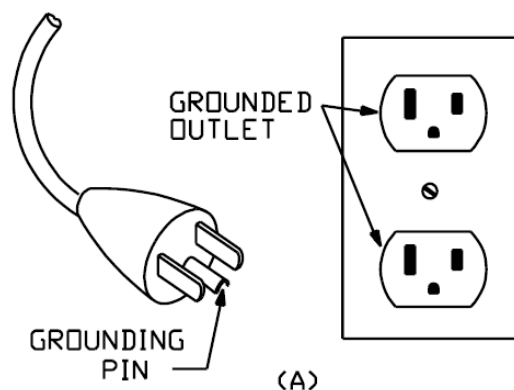
DANGER:

Improper connection of the equipment can result in risk of electric shock. Check with a qualified electrician or serviceman if you are unsure whether the product has been properly grounded. Do not modify the plug provided with the product. If it will not fit the outlet, have a proper outlet installed by a qualified electrician.

WARNING!

1. NEVER use a ground fault circuit interrupt (GFCI) wall outlet with this treadmill. Route the **Power Cord (No. 97)** away from any moving parts of the treadmill including the elevation mechanism and **Transport Wheels (No. 44)**.
2. NEVER operate the treadmill using a generator or UPS power supply.
3. NEVER remove any cover on this treadmill without first disconnecting the **Power Cord (No. 97)**.
4. NEVER expose the treadmill to rain or moisture. This treadmill is not designed for outdoor use or use in any high humidity environment.

GROUNDING METHOD



Operating Instructions

1. Plug the **Power Cord (No. 97)** into an outlet with appropriate voltage.
2. Turn on the **Power Switch (No. 100)**.
3. Insert the **Safety Key (No. 26)**.
4. Press the **START** button on the console.

Never start the treadmill while you are standing on the **Running Belt (No. 22)**. After connecting the power, there may be a pause after the **Running Belt (No. 22)** begins to move. Always stand on the treadmill's side plastic non-slip rails until the belt starts moving. Once the treadmill is in motion, you may step onto the **Running Belt (No. 22)**.

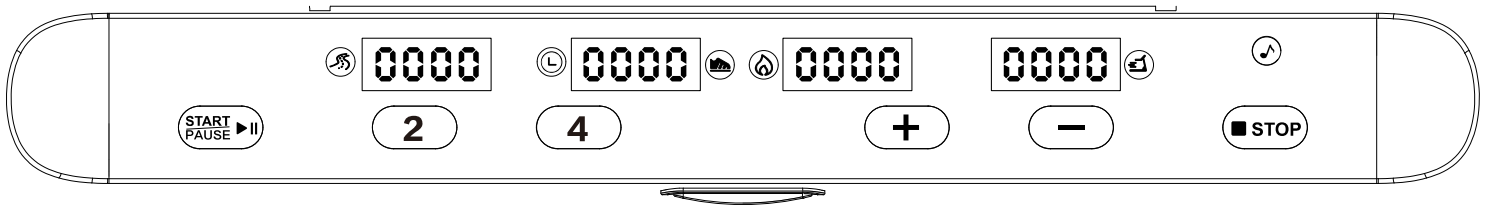
SAFETY NOTE:

1. We recommend that you maintain a slow speed at the beginning and hold the **Left & Right Foam Handrails (No. 3)** until you become familiar with the treadmill.
2. Insert the magnet end of the **Safety Key (No. 26)** into the computer console and attach the opposite end (containing the safety clip on it) to your clothing before starting your workout. To end your workout, press the **STOP** button or remove the **Safety Key (No. 26)** and then the treadmill will stop immediately.

SAFETY KEY FUNCTION:

Removing the **Safety Key (No. 26)** from the computer console while the treadmill is running will cause it to stop immediately.

Display Console



1. Window Display:

- A. **Distance:** Displays exercise distance and counts forward from 0.00-99.0.
- B. **Time / Step:** Displays time in the default settings and switches the display every 5 seconds.
 - Time:** Displays the exercise time. Manual mode counts forward from 0:00-99:59. Once the count reaches 99:59, the treadmill decreases the speed steadily to a stop. The speed window will display “End” and will reach a complete stop after 5 seconds.
 - Step:** Displays the current exercise steps and counts forward from 0-9999.
- C. **Calorie:** Displays the calories burned and counts forward from 0.0-9999.
- D. **Speed:** Displays the current exercise speed value, with a range from 0.6-8 MI/H.




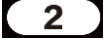
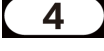

2. Key Functions:

- A. **Start/Pause:** Press this button to start the treadmill. When the treadmill is in operation press this button to pause the treadmill.
- B. **Stop:** When the treadmill is running, press this button to stop the treadmill.
- C. **Increase Speed:** Press this button to increase the setting speed. When the treadmill is running, pressing the button gradually to increase the speed by 0.1 mi/h. Holding the button for more than 0.5 seconds will steadily increase the speed automatically.
- D. **Decrease Speed:** Press this button to decrease the setting speed. When the treadmill is running, pressing the button gradually to decrease the speed by 0.1 mi/h. Holding the button for more than 0.5 seconds will steadily decrease the speed automatically.
- E. **Speed Shortcut:** By pressing 2, 4 mi/h, you can directly change the treadmill speed while the treadmill is in operation.

F. Metric/Imperial Change:

Turn on the treadmill, remove the **Safety Key (No. 26)**, press and hold buttons together for about 3 seconds until a number shows up on the right side of the screen. If it is showing “1.0”, that means it is in metric (km/h) system; if it is showing “0.6”, that means it is in imperial (m/h) system. To change again, simply turn off the treadmill and repeat above steps.

3. Operating Instructions:

- A. Press **Start/Pause** button “”, the treadmill will countdown for 3 seconds and begin the initial speed of 0.6 mi/h.
- B. Press **Speed increase**  and **Speed decrease**  button can adjust the speed.
- C. Press **Speed shortcut** button   can quickly set the speed to the Speed displayed on the button.
- D. When the treadmill is running, press **Stop** button “” to stop the treadmill.
- E. Pulling out the safety key can instantly stop the treadmill. The LED screen display will show “---” and the treadmill will start to beep.
- F. In manual mode, when the time is more than 99:59 (100 minutes), the treadmill will stop.

4. Safety Lock Function:

At any state, pull off the safety lock. The LED screen will display “---” and the treadmill will start to beep. When the safety key is off, no function will display.

5. Power Saving Mode:

This system has a power saving function. In standby mode, if there is no button command inputted within 10 minutes, the system will enter power saving mode. Press any button to start the system back up.

6. MP3 Function:

When the power is connected, connect an MP3 or other audio device to play music. The volume is controlled on the audio device. Please pay attention when controlling the volume. Volume level can affect the quality of the built-in audio circuit.

Note: Plug in the MP3 line from the back of the **Meter Bracket Horizontal Tube (No. 4)**.

7. Shutdown:

You can turn off the power to shut down the treadmill at any time. This will not damage the treadmill.

8. Attention:

- A. Check the power and safety lock before starting any exercise.
- B. In the event of an emergency, pull off the safety lock to stop the treadmill. This will put on the safety lock and set the treadmill back to the default settings.
- C. If there is any problem, please contact the distributor. Do not attempt to disassemble or perform maintenance on the treadmill as this can be damaging to the equipment.

9. Treadmill Error Codes:

If the treadmill displays an error code, please contact Customer Service at **support@sunnyhealthfitness.com**.

---or---(or display E00/E07 according to the request of the customer).

E01: Communication fault (driver doesn't receive meter signal).

E02: Stalling protection (explosion-proof protection or main motor fault).

E03: No speed sensor signal (with speed sense driver).

E04: Incline self-checking.

E05: Overcurrent protection.

E06: Usually it is because motor has an open circuit.

E08: Storage 24C02 fault (with external 24C02 driver).

E09: Reverse error (with reverse driver).

E10: Usually due to motor instant peak current abnormal, over current protection.

E11: External AC voltage.

E13: Communication fault (meter doesn't receive driver signal).

E14: External AC voltage under voltage (according to the request of the customer).

Maintenance Instructions

Cleaning

General cleaning will help to prolong the life and improve the performance of your treadmill. Keep the unit clean and maintained by dusting the components on a regular basis. Cleaning the two exposed sides of the **Running Belt (No. 22)** will prevent dust from accumulating underneath. Keep your running shoes clean so that dirt from the shoes does not wear the **Running Board (No. 21)** and **Running Belt (No. 22)**. Clean the surface of the **Running Belt (No. 22)** using a clean damp cloth. Keep liquids away from electrical parts and **Running Belt (No. 22)**. Be careful and keep all liquids away from the electrical components and underneath the **Running Belt (No. 22)**.

WARNING

Remember to unplug the treadmill from the electrical outlet before removing the motor cover. Remove the motor cover and vacuum underneath at least once a year.

Running belt and the lubricant oil of the motorized treadmill:

Running Belt (No.22) and **Running Board (No.21)** are already pre-lubricated. **Running Belt (No.22)** and **Running Board (No.21)** friction may play a major role in the function and life of your treadmill, thus requiring periodic lubrication. We recommend a periodic inspection of the running board. If the running board is worn out, please contact: support@sunnyhealthfitness.com

We suggest you buy lubricant from local distributors or contact our company directly.

Maintenance Guidelines

General cleaning will help prolong the life and performance of your treadmill. Keep the unit clean and maintained by dusting the components on a regular basis. Clean both sides of the **Running Belt (No. 22)** to prevent dust from accumulating underneath. Keep your running shoes clean so that dirt from your shoes does not wear out the **Running Board (No. 21)** and **Running Belt (No. 22)**. Clean the surface of the **Running Belt (No. 22)** with a clean, damp cloth.

To better maintain the treadmill and prolong its life, it is suggested that the treadmill be powered off for 10 minutes every 2 hours and fully powered off whenever not in use.

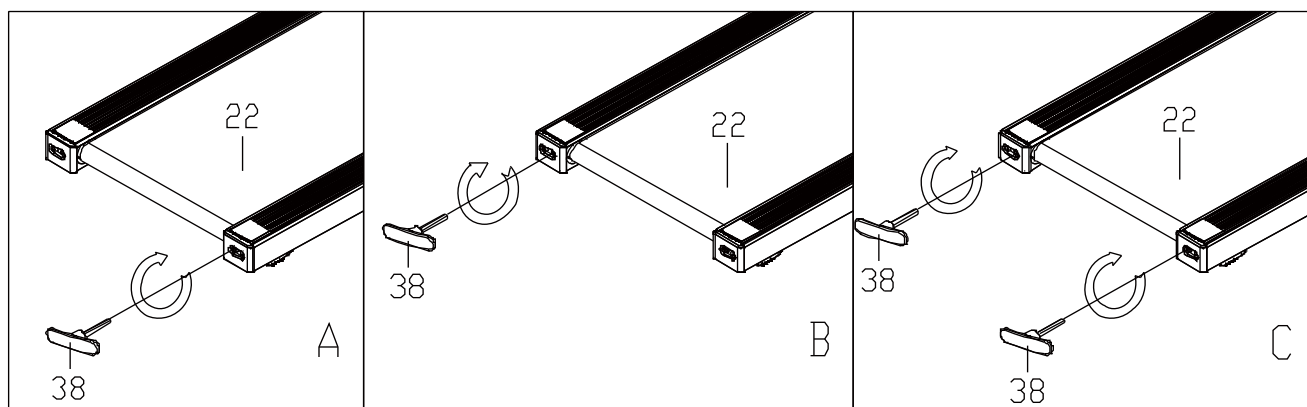
CENTERING THE RUNNING BELT:

Place the treadmill on level ground and set it at 3.7-5MPH to check if the **Running Belt (No. 22)** drifts.

If the **Running Belt (No. 22)** deviates to the right, pull off the **Safety Key (No. 26)** and unplug the power. Turn the right side adjusting bolt $\frac{1}{4}$ clockwise using **Tool (No. 38)**. Turn on the treadmill and watch the **Running Belt (No. 22)** to see if it is centered. Repeat the above steps, until the **Running Belt (No. 22)** is in the middle. Refer to Figure A.

If the **Running Belt (No. 22)** deviates to the left, pull off the **Safety Key (No. 26)** and unplug the power. Turn the left adjusting bolt $\frac{1}{4}$ clockwise using **Tool (No. 38)**. Turn on the treadmill and watch the **Running Belt (No. 22)** to see if it is centered. Repeat the above steps, until the **Running Belt (No. 22)** goes to the middle. Refer to Figure B.

After periodic use, the **Running Belt (No. 22)** may become loose and need adjustments. Pull off the **Safety Key (No. 26)**, turn off the power switch, and turn the left and right adjusting bolt $\frac{1}{4}$ clockwise using **Tool (No. 38)**. Turn on the treadmill, then stand on the treadmill to confirm the tightness of the **Running Belt (No. 22)**. Repeat above steps, until the **Running Belt (No. 22)** is moderate in tightness. Refer to Figure C.



*IMPORTANT NOTE:

This treadmill does come pre-lubricated, but it is recommended to lubricate your treadmill before the first use.

RUNNING BELTS & TREADMILL LUBRICANT:

Lubricating the **Running Board (No. 21)** and **Running Belt (No. 22)** is essential as the friction affects the life span and operation of the treadmill. It is suggested that the **Running Board (No. 21)** and **Running Belt (No. 22)** be inspected regularly. If you find any wear on the **Running Board (No. 21)**, please contact us at: support@sunnyhealthfitness.com.

WARNING:

Always unplug the treadmill from the electrical outlet before cleaning, lubricating, or repairing the unit.

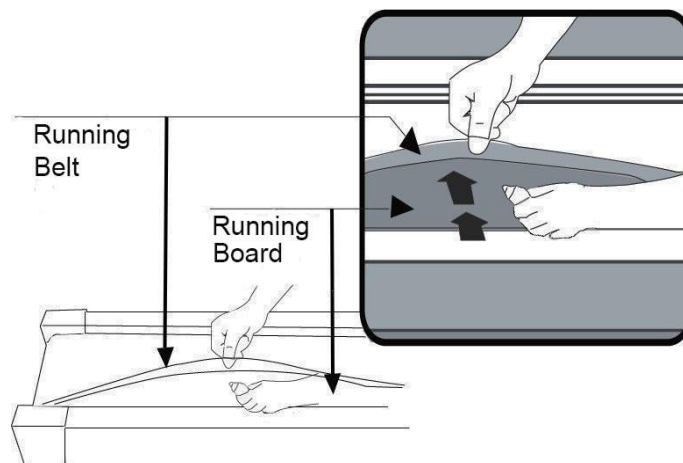
HOW TO LUBRICATE:

Raise the **Running Belt (No. 22)** up on one side and apply lubricant to the **Running Board (No. 21)**. Use a rag to thoroughly wipe the lubricant over the **Running Board (No. 21)**. Repeat this process for the other side.

The moving parts should turn freely and quietly. Abnormal moving parts will affect the safety of the equipment. Inspect and tighten bolts regularly.

To better maintain the treadmill and prolong its lifespan, it is suggested that maintenance be done on a regular basis.

DO NOT LOOSEN OR MAKE ANY ADJUSTMENTS TO THE RUNNING BELT WHILE APPLYING LUBRICANT. A loose **Running Belt (No. 22)** will result in the runner sliding off when in use, while too tight of a **Running Belt (No. 22)** will decrease to the motor's performance, and also create more friction between the roller and **Running Belt (No. 22)**. The most suitable tightness for the **Running Belt (No. 22)** is when it is pulled out 50-75mm from the **Running Board (No. 21)**.



The following time table is recommended:

Light user (less than 3 hours/week)	every six months
Medium user (3-5 hours/week)	every three months
Heavy user (more than 5 hours/week)	every two months

Version 1.5