

Arisaka Offset Optic Mount

Patent Pending

04/21/2020

The Arisaka Offset Optic Mount can be configured at either a 35 or 45 degree offset angle by reversing the stem during assembly, as shown on the next page. The mount is designed to be attached to the top Picatinny rail of an AR15. When the rifle is canted to make use of the offset red dot sight, the optic remains aligned and centered over the bore at either 35 or 45 degrees due to the unique, Patent Pending design. We recommend that you choose the plate height so that it is similar to your primary optic mount height.

Standard height (for 1.5" to 1.8" scope mounts):

Plate 1: Docter, Eotech, Insight, Meopta, Vortex Venom/Viper, Burris Fastfire III

Plate 2: Trijicon RMR, SRO, Holosun 407C, 507C, 508T

Plate 3: C-More, Vortex Razor

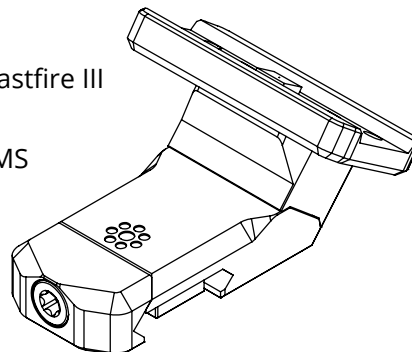
Plate 4: Leupold Delta Point Pro, Holosun 407K, 507K, JPoint, Shield RMS

Plate 5: Aimpoint Micro T1/T2/H1/H2, SIG Romeo 5 (not 5X),
Holosun HS403, HS503, HS515, HS530

Plate 6: Aimpoint Acro

Plate 13: Holosun 509T

Plate 15: Picatinny Rail for Holosun 510C



Tall height (for 1.9" to 2.2" scope mounts):

Plate 7: Docter, Eotech, Insight, Meopta, Vortex Venom/Viper, Burris Fastfire III

Plate 8: Trijicon RMR, SRO, Holosun 407C, 507C, 508T

Plate 10: Leupold Delta Point Pro, Holosun 407K, 507K, JPoint, Shield RMS

Plate 11: Aimpoint Micro T1/T2/H1/H2, SIG Romeo 5 (not 5X),
Holosun HS403, HS503, HS515, HS530

Plate 12: Aimpoint Acro

Plate 14: Holosun 509T

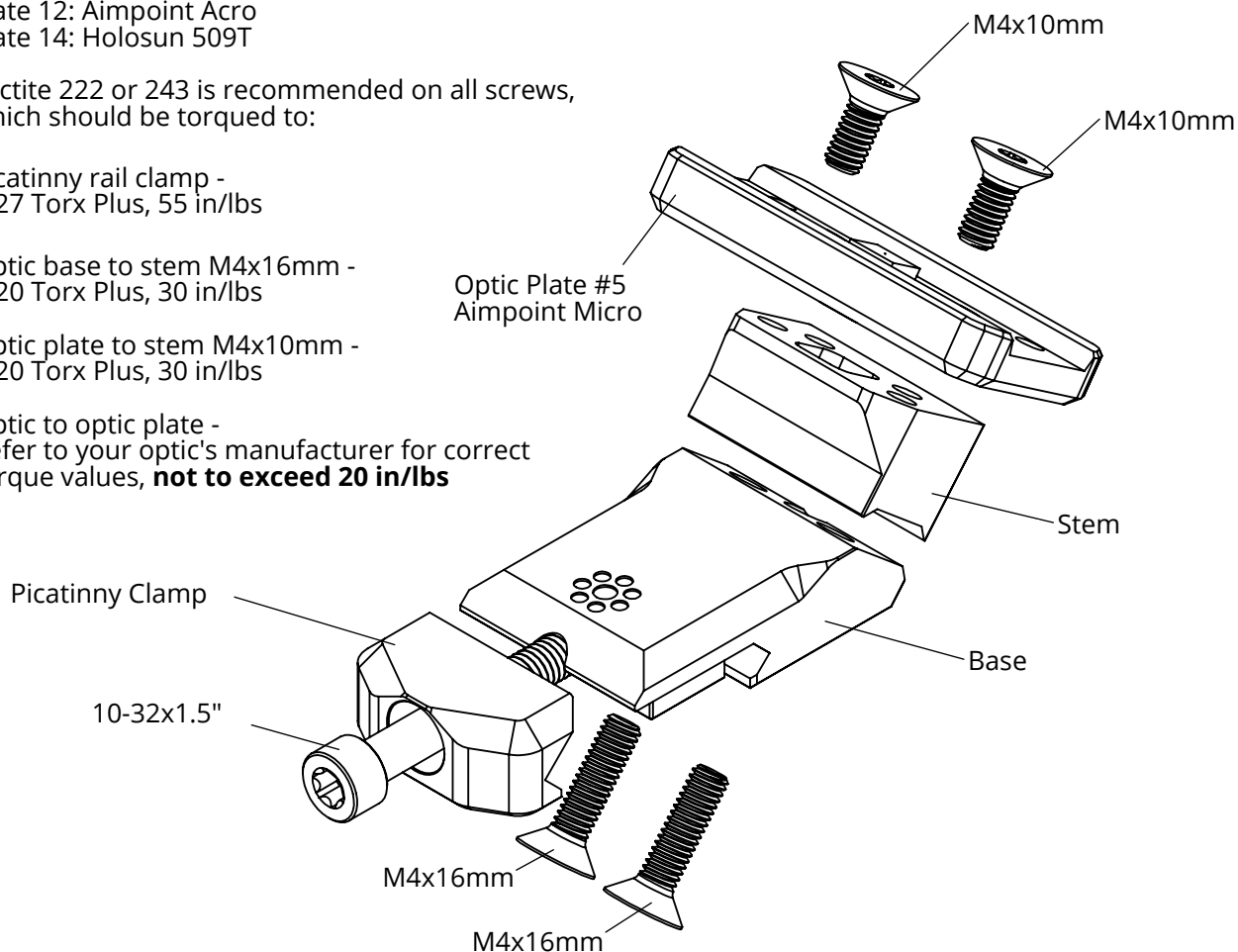
Loctite 222 or 243 is recommended on all screws, which should be torqued to:

Picatinny rail clamp -
IP27 Torx Plus, 55 in/lbs

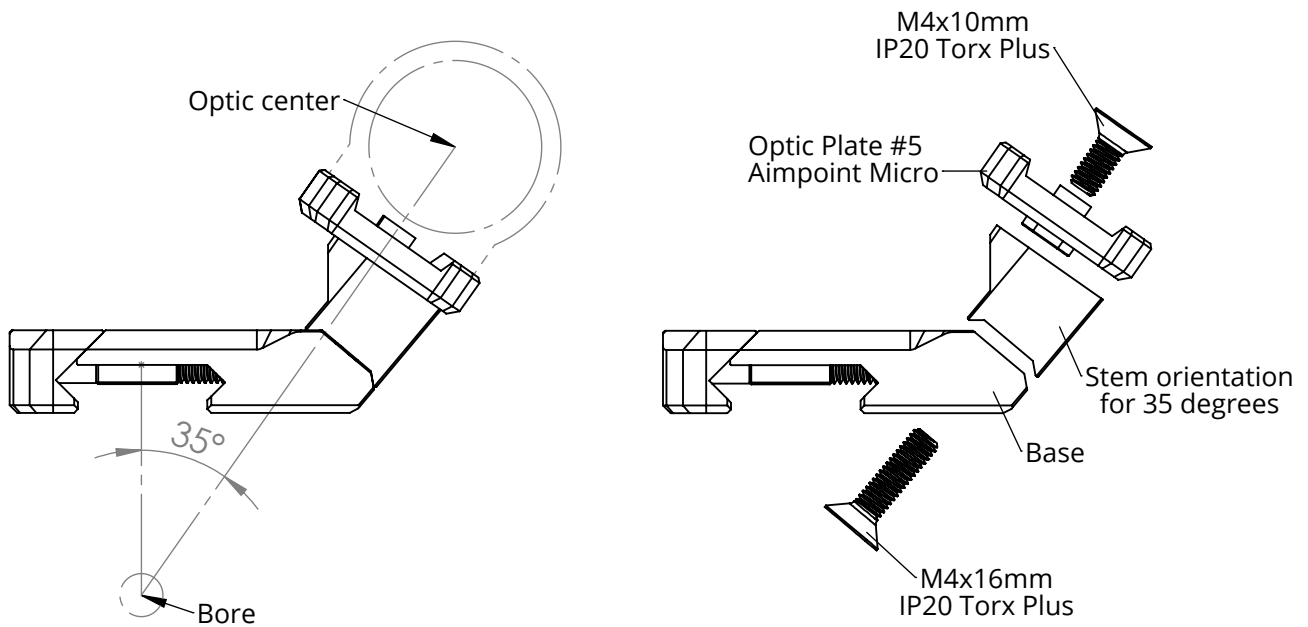
Optic base to stem M4x16mm -
IP20 Torx Plus, 30 in/lbs

Optic plate to stem M4x10mm -
IP20 Torx Plus, 30 in/lbs

Optic to optic plate -
Refer to your optic's manufacturer for correct torque values, **not to exceed 20 in/lbs**



35 Degree Configuration



45 Degree Configuration

