

# COMMERCIAL DOORS & HARDWARE



Product Catalog



**THE COMPLETE PACKAGE** – Commercial Doors and Frames, Door Hardware and Trim.

**800-433-4047 | [tellmfg.com](http://tellmfg.com)**

#### **CORPORATE**

Tell Manufacturing  
18 Richard Drive  
Lititz, PA 17543

#### **LOCATIONS**

**Alabama:** Homewood  
**California:** Mira Loma  
**Indiana:** Elkhart  
**Texas:** Grand Prairie  
**Texas:** Houston

#### **CONTACT INFORMATION**

**800.433.4047**  
*p:* 717.625.2990  
*f:* 888.370.3253  
*e:* [tell.sales@spectrumbrands.com](mailto:tell.sales@spectrumbrands.com)


# Tell Manufacturing

## Product Comparison Charts

### LOCKSETS

TELL	COMPARISON
------	------------

#### GRADE 1 LEVERSET HEAVY DUTY

LC1200 Series	Cal Royal Genesys Series
	Yale 5400 Series
	Hager 3400 Series
	Sargent 10 Line
	Falcon T Series
	Taymor Knight
	Dorex GX1L Series

#### GRADE 2 LEVERSET STANDARD DUTY

LC 2600 Series	Cal Royal SL, CSL, XP & ALC
	Falcon W500 Series
	Hager 3500 Series
	Corbin CL3800 Series
	Sargent 65 Series
	Schlage AL Series
	Yale 5300 LN Series
	Taymor Duke
	Dorex FC Series

#### GRADE 2 LEVERSET HEAVY DUTY

LC 2400 Series	Cal Royal SL, CSL, XP & ALC
	Falcon W500 Series
	Hager 3500 Series
	Corbin CL3800 Series
	Sargent 65 Series
	Schlage AL Series
	Yale 5300 LN Series
	Taymor Knight
	Dorex GX1L Series

#### GRADE 2 KNOBSET HEAVY DUTY

KC2300 Series	Cal Royal BA Series
	Arrow 151
	Corbin 5600 Series
	Russwin CK3300
	Russwin CK2400
	Sargent 6 Line
	Schlage A Series
	Yale 5300 Series
	Taymor York
	Dorex TL Series

### DOOR CLOSERS

TELL	COMPARISON
------	------------

#### GRADE 1 CLOSERS

600 Series	Cal Royal 300 Series
	Design 116 Series
	Dorma 7400
	International 9000
	Norton 1601
	Yale 51 Series
	Sargent 1130
	Norton 8501
	Yale 3501
	Taymor 600 Series
	Dorex 5400 Series

#### 700 Series

	Cal Royal 900 Series
	Design 316
	Dorma 7800
	Norton 8601
	Sargent 1230
	Yale 3501
	Taymor 1900 Series

#### 800 Series

	Cal Royal 801
	Design 316
	Dorma 8616
	International 9000
	LCN 1460
	Norton 8000
	Yale 3000
	Sargent 1430
	Taymor 4000 Series

#### 900 Series

	Cal Royal 441
	Design 416
	Dorma 8916
	Norton 7500
	Yale 4400
	Sargent 281

### EXIT DEVICES

TELL	COMPARISON
------	------------

#### GRADE 1 HEAVY DUTY



#### 7000 Series Exit Device

Cal Royal 9800
Design 1000R
Von Duprin 99
Hager 4500
Sargent 8800



#### 8000 Series Exit Device

Cal Royal 2200
Design 2000R
Von Duprin 22
Hager 4700
Sargent 20 Series
Taymor 9700 Series
Dorex 8500 Series



#### 9000 Series Exit Device

Cal Royal 9800
Design 1000R
Von Duprin 99
Hager 4500
Sargent 8800



## COMMERCIAL DOORS & HARDWARE

# table of contents

### LOCKSETS & MORTISE LOCK

### PAGE



#### GRADE 1

KC1100 Series Cylindrical Knobset **1**



LC1200 Series Cylindrical Leverset **5**



ML1300 Series Mortise Lockset **9**

#### GRADE 2



LT2000 Series Tubular Leverset **13**



KT2100 Series Tubular Knobset **17**



KC2300 Series Cylindrical Knobset **21**



LC2400 Series Cylindrical Leverset **25**



LC2600 Series Cylindrical Leverset **29**



LC2700 Series Cylindrical Leverset **33**

#### GRADE 3



KC3600 Series Cylindrical Knobset **36**






LC3600 Series Cylindrical Leverset **37**



COMMERCIAL DOORS & HARDWARE

# table of contents

## DEADBOLTS, STOREFRONT MORTISE LOCKS, CYLINDERS, KEYING & CAMS

	<b>PAGE</b>
	<b>DEADBOLTS</b>
DB1000 Series	41
DB2000/DB2400 Series	43
Indicator Deadbolt	45
	<b>STOREFRONT MORTISE LOCKS</b>
Storefront Deadbolt & Hook Bolt Mortise Lock	46
Storefront Deadlatch Mortise Lock	48
Storefront Cylinders, Turns & Levers	50
Storefront Paddle Latches, Pull Handles & Combo Push/Pull	52
	<b>CYLINDERS</b>
Mortise & Rim Cylinders	54
Keying / Tell Restricted Keyway Cylinder	55
Standard & IC Core Cams	56

Grade One  
White Tab

Grade One  
White Tab back



# KC1100 SERIES

## Heavy-Duty Commercial Grade 1 Knobsets



Empire (EMP)

### Standard Features

- **Performance** Complies with ANSI A156.2 - 2003, Series 4000, Grade 1, 800,000 cycles, UL/ULC listed for 3 hour fire door
- **Chassis** Cylindrical, steel - coated with zinc dichromate (corrosion resistance)
- **Latch** 1-1/8" x 2-1/4", square corner faceplate, 1" housing diameter (stainless steel), 1/2" throw
- **Rose** 3" diameter
- **Backset** 2-3/4"
- **Strike** Square corner 1-1/4" x 4-7/8" ANSI **ASA Strike**
- **Standard Cylinder** Standard cylinder Schlage (SCC) - 6-pin solid brass, C keyway, keyed different (KD).
- **Keys** Two nickel silver per lock cylinder
- **Door Range** 1-3/8" to 2"
- **Door Preparation** 2-1/8" diameter for bore, 1" diameter bore for latchbolt. Fits standard 161 door prep.
- **Warranty** 5 year limited

### Optional Features

- **Strike** **T Strike** (1-1/8" x 2-3/4"), and **F Strike** (full lip)

### Keying Options

- **Tell Cylinder** Restricted Tell keyway cylinder available, optional. Tell keyway cylinder is available **only** keyed to 6-pin.
- **Other Cylinder Options** Arrow A (ARA), Corbin 59A1 (C059A1), Corbin 60 (C06), Corbin Russwin L4 (CL4), Kwikset (KW1), Russwin D1 (RD1), Sargent LA (SAL), Schlage E (SCE), Schlage F (SCF), Weiser E (WRE), Yale 8 (YA8), Yale GA (YGA)  
**ALL CYLINDERS 6-PIN. CAN ALSO BE PINNED 5-PIN.**
- **Keying Options** Grand master key (GMK), construction master key (CMK), master key (MK), keyed different (KD), keyed alike (KA), 0-bitted (0BIT)



## KC1100 Series Function Chart

FUNCTION	FUNCTION NO.	OUTSIDE	INSIDE	FUNCTION DESCRIPTION	ANSI NO.
Entrance	81			<ul style="list-style-type: none"> <li>Deadlocking latchbolt operated by knob and turn from either side</li> <li>Outside knob locked by push button from inside</li> <li>Unlocked by key from outside or rotating inside knob</li> <li>When outside knob locked by push and turn button from inside, key from outside or rotating inside knob retracts latch, does not unlock outside knob</li> </ul>	F81
Entry/Office	82			<ul style="list-style-type: none"> <li>Deadlocking latchbolt operated by knob from either side except when outside knob is locked by push button on inside.</li> <li>When outside knob is locked, operating key in outside knob or operating inside knob unlocks push button and retracts latchbolt.</li> <li>Closing door does not release push button</li> </ul>	F82
Storeroom	86			<ul style="list-style-type: none"> <li>Deadlocking latchbolt operated by rotating inside knob or key in outside knob</li> <li>Outside knob always fixed</li> </ul>	F86
Classroom	84			<ul style="list-style-type: none"> <li>Deadlocking latchbolt operated by knob from either side</li> <li>Outside knob locked or unlocked by key from outside</li> <li>Inside knob always operates latch</li> </ul>	F84
Passage/Closet	75			<ul style="list-style-type: none"> <li>Latchbolt operated by knob from either side at all times</li> </ul>	F75
Privacy Bedroom/Bathroom	76			<ul style="list-style-type: none"> <li>Latchbolt operated by knob from either side</li> <li>Outside knob locked by push button on inside</li> <li>Unlocked by emergency release on outside, rotating inside knob, or closing door</li> </ul>	F76
Single Dummy	01			<ul style="list-style-type: none"> <li>Pull knob one side</li> <li>No mechanical operation</li> </ul>	





# ACCESSORIES

## KC1100 Series Latch

**CL100181** — 2-3/4" Guarded, US32D

**CL100531** — 2-3/4" Guarded, US3

UL/ULC listed latchbolt with deadlatching function. 1/2" throw. 2-3/4" backset. Fits 161 door prep (2-1/8" hole, 1" latch hole).



## KC1100 Series Strikes

**CL100186** — ASA Strike, US32D

**CL100187** — ASA Strike, US3

**CL100415** — ASA Strike, US10B

For metal frames. (1-1/4" x 4-7/8" x 3/32").

**CL100191** — T Strike, US32D

**CL100189** — T Strike, US3

**CL100420** — T Strike, US10B

For wood frames. (1-1/8" x 2-3/4" x 3/32").

**CL100190** — F Strike, US32D

**CL100192** — F Strike, US3

**CL100581** — F Strike, US10B

For wood residential applications. (1-5/8" x 2-1/4" x 3/32").



## KC1100 Series Non-Restricted Keyway

**CL100219** —  
Cylinder, Schlage C, US26D

**CL100584** —  
Cylinder, Schlage C, US4

Standard brass 6-pin cylinder  
SCC keyway, optional keyways  
available, (see price list).



## KC1100 Series Tell Restricted Keyway

**TELL CYLINDERS:**

**CL101503** —  
6 pin Tell cylinder, US26D

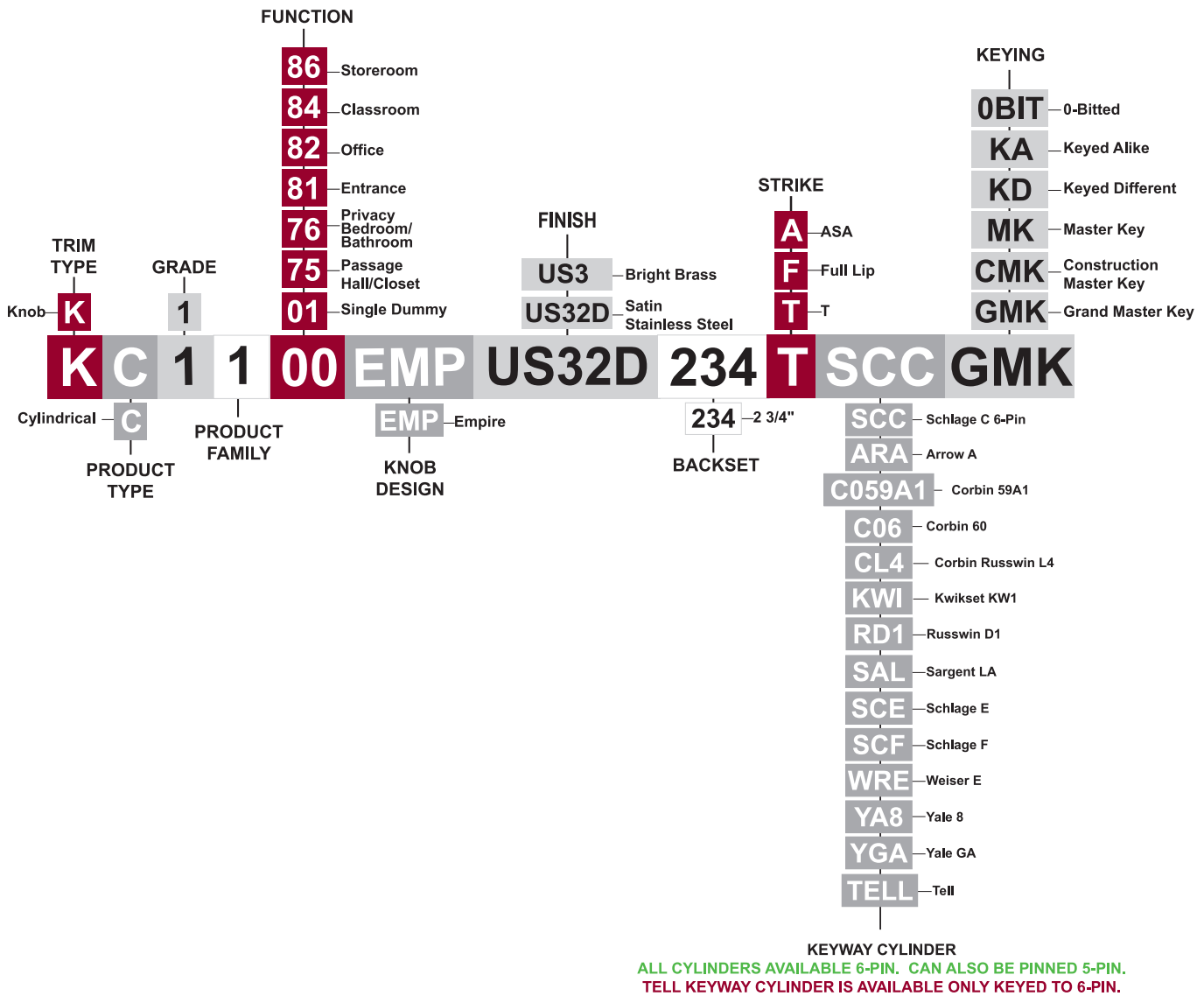
**CL101504** —  
6 pin Tell cylinder, US4



**FINISHES:** US32D=Satin Stainless Steel, US3=Bright Brass, US26D=Satin Chrome, US4=Satin Brass, US10B=Oil Rubbed Bronze



## How to Order KC1100 Series





# LC1200 SERIES

## Heavy-Duty Commercial Grade 1 Leversets



	Cortland (CTL)	Buckingham (BUC)
<b>Standard Features</b>		
■ <b>Performance</b>	Complies with ANSI A156.2, Series 4000, Grade 1, (800,000 cycles), UL/ULC listed for 3 hour fire door ANSI A117.1 American Disabilities Act (ADA)	
■ <b>Chassis</b>	Cylindrical, steel - coated with zinc dichromate (corrosion resistance), freewheeling clutch (added security from hammer attacks), independent spring cages	
■ <b>Lever</b>	Non-handed, solid cast	
■ <b>Latch</b>	1-1/8" x 2-1/4", square corner faceplate, 1" housing diameter (stainless steel), 1/2" throw	
■ <b>Rose</b>	3-1/2" diameter	
■ <b>Backset</b>	2-3/4"	
■ <b>Strike</b>	Square corner 1-1/4" x 4-7/8" ANSI <b>ASA Strike</b>	
■ <b>Standard Cylinder</b>	Standard cylinder Schlage (SCC) - 6-pin solid brass, C keyway, keyed different (KD).	
■ <b>Keys</b>	Two nickel silver per lock cylinder	
■ <b>Cylinder</b>	Other manufacturers including small format interchangeable cores	
■ <b>Door Range</b>	1-3/8" - 2"	
■ <b>Door Preparation</b>	2-1/8" diameter for lever, 1" diameter for latchbolt. Fits standard 161 door prep with through-bolting through the door.	
■ <b>Warranty</b>	5 year limited	
<b>Optional Features</b>		
■ <b>Strike</b>	<b>T Strike</b> (1-1/8" x 2-3/4"), and <b>F Strike</b> (full lip)	
<b>Keying Options</b>		
■ <b>Tell Cylinder</b>	Restricted Tell keyway cylinder can key both the cylinder and interchangeable core in one lock. The cylinders and IC cores are interchangeable. Tell keyway cylinder is available <b>only</b> keyed to 6-pin. Tell IC cylinder can be keyed to 6-pin or 7-pin interchangeable core (IC).	
■ <b>Other Cylinder Options</b>	Arrow A (ARA), Corbin 59A1 (C059A1), Corbin 60 (C06), Corbin Russwin L4 (CL4), Kwikset (KW1), Russwin D1 (RD1), Sargent LA (SAL), Schlage E (SCE), Schlage F (SCF), Weiser E (WRE), Yale 8 (YA8), Yale GA (YGA)	
■ <b>IC Keyway Cylinder</b>	Tell, Best A (BA), Best B (BB), Best C (BC), Best D (BD), Best E (BE), Best F (BF), Best G (BG), Best H (BH), Best J (BJ), Best K (BK), Best L (BL), Best M (BM), Best Q (BQ), Best U (BU), Black construction core (BLK), Less core (00), Not specified (XX)	
■ <b>Keying Options</b>	Grand master key (GMK), construction master key (CMK), master key (MK), keyed different (KD), keyed alike (KA), interchangeable core uncombined (IC), 0-bitted (0BIT)	

# LC1200 Series Function Chart



FUNCTION	FUNCTION NO.	OUTSIDE	INSIDE	FUNCTION DESCRIPTION	ANSI NO.
Entrance	81			<ul style="list-style-type: none"> <li>Latchbolt operated by lever from either side</li> <li>Outside lever locked by push button from inside</li> <li>Unlocked by key from outside or rotating inside lever</li> <li>When outside lever locked by push and turn button from inside, key from outside or rotating inside lever retracts latch, does not unlock outside lever</li> </ul>	F81
Office	82			<ul style="list-style-type: none"> <li>Deadlocking latch bolt operated by lever from either side except when outside lever is locked by push button or other locking device on inside. When outside lever is locked, operating key in outside lever or operating inside lever unlocks push button or other locking device and retracts latch bolt. Closing door does not release push button or other locking device.</li> </ul>	
Classroom	84			<ul style="list-style-type: none"> <li>Latchbolt operated by lever from each side</li> <li>Outside lever locked or unlocked by key from outside</li> <li>Inside lever always operates latch</li> </ul>	F84
Storeroom	86			<ul style="list-style-type: none"> <li>Latch operated by rotating inside lever or key in outside lever</li> <li>Outside lever always fixed</li> </ul>	F86
Double Cylinder Storeroom	91			<ul style="list-style-type: none"> <li>Deadlocking latchbolt operated by either lever</li> <li>Key in either lever locks or unlocks both levers</li> </ul>	F80
Intruder	110			<ul style="list-style-type: none"> <li>For classroom doors</li> <li>Deadlatching latchbolt</li> <li>Either lever operates latchbolt (except when outside lever is locked by key from either side)</li> <li>Outside lever remains locked upon egress</li> <li>Inside lever always active</li> </ul>	F110
Privacy Bedroom/Bathroom	76			<ul style="list-style-type: none"> <li>Latchbolt operated by lever from either side</li> <li>Outside lever locked by push button on inside</li> <li>Unlocked by emergency release on outside, rotating inside lever, or closing door</li> </ul>	F76
Passage Hall/Closet	75			<ul style="list-style-type: none"> <li>Latchbolt operated by lever from either side at all times</li> </ul>	F75
Exit Latch	80			<ul style="list-style-type: none"> <li>Latchbolt operated by lever from one side at all times</li> </ul>	
Single Dummy	01			<ul style="list-style-type: none"> <li>Pull lever one side</li> <li>No mechanical operation</li> </ul>	



# ACCESSORIES

## LC1200 Series Latches

**CL100181** —  
2-3/4" Guarded, US32D

**CL100531** —  
2-3/4" Guarded, US3

**CL100182** —  
2-3/4" Guarded with  
kickoff, US32D  
UL/ULC listed guarded  
latchbolt with deadlatching  
function. 1/2" throw.  
2-3/4" backset. Fits 161  
door prep (2-1/8" hole,  
1" latch hole).

**CL100906** —  
2-3/4" Unguarded,  
US32D

**CL100907** —  
2-3/4" Unguarded  
with kickoff, US32D  
UL/ULC listed  
unguarded latchbolt  
with non-deadlatching  
function. 1/2" throw.  
2-3/4" backset. Fits  
161 door prep (2-1/8"  
hole, 1" latch hole).



## LC1200 Series Strikes

**CL100186** —  
ASA Strike, US32D

**CL100187** —  
ASA Strike, US3

**CL100415** —  
ASA Strike, US10B  
For metal frames.  
(1-1/4" x 4-7/8" x  
3/32").

**CL100191** —  
T Strike, US32D

**CL100189** —  
T Strike, US3

**CL100420** —  
T Strike, US10B  
For wood frames.  
(1-1/8" x 2-3/4" x  
3/32").

**CL100190** —  
F Strike, US32D

**CL100192** —  
F Strike, US3

**CL100581** —  
F Strike, US10B  
For wood residential  
applications.  
(1-5/8" x 2-1/4" x  
3/32").



## LC1200 Series Non-Restricted Keyway

**CL100219** —  
Cylinder, Schlage C, US26D

**CL100584** —  
Cylinder, Schlage C, US4

Standard brass 6-pin cylinder  
SCC keyway, optional keyways  
available, (see price list).



**CL100268** —  
IC Core Best A 6 Pin, US26D

**CL100270** —  
IC Core Best A 7 Pin, US26D

**CL100269** —  
IC Core Best A 6 Pin, US4

**CL100271** —  
IC Core Best A 7 Pin, US4

Small format interchangeable  
core brass cylinder 6-pin stan-  
dard, 7-pin available. Best "A"  
keyway standard.



## LC1200 Series Tell Restricted Keyway

**TELL CYLINDERS:**

**CL101503** —  
6 pin Tell cylinder, US26D

**CL101504** —  
6 pin Tell cylinder, US4

**TELL INTERCHANGEABLE  
CORES:**

**CL101499** —  
6 pin Tell IC core, US26D

**CL101500** —  
6 pin Tell IC core, US4

**CL101501** —  
7 pin Tell IC core, US26D

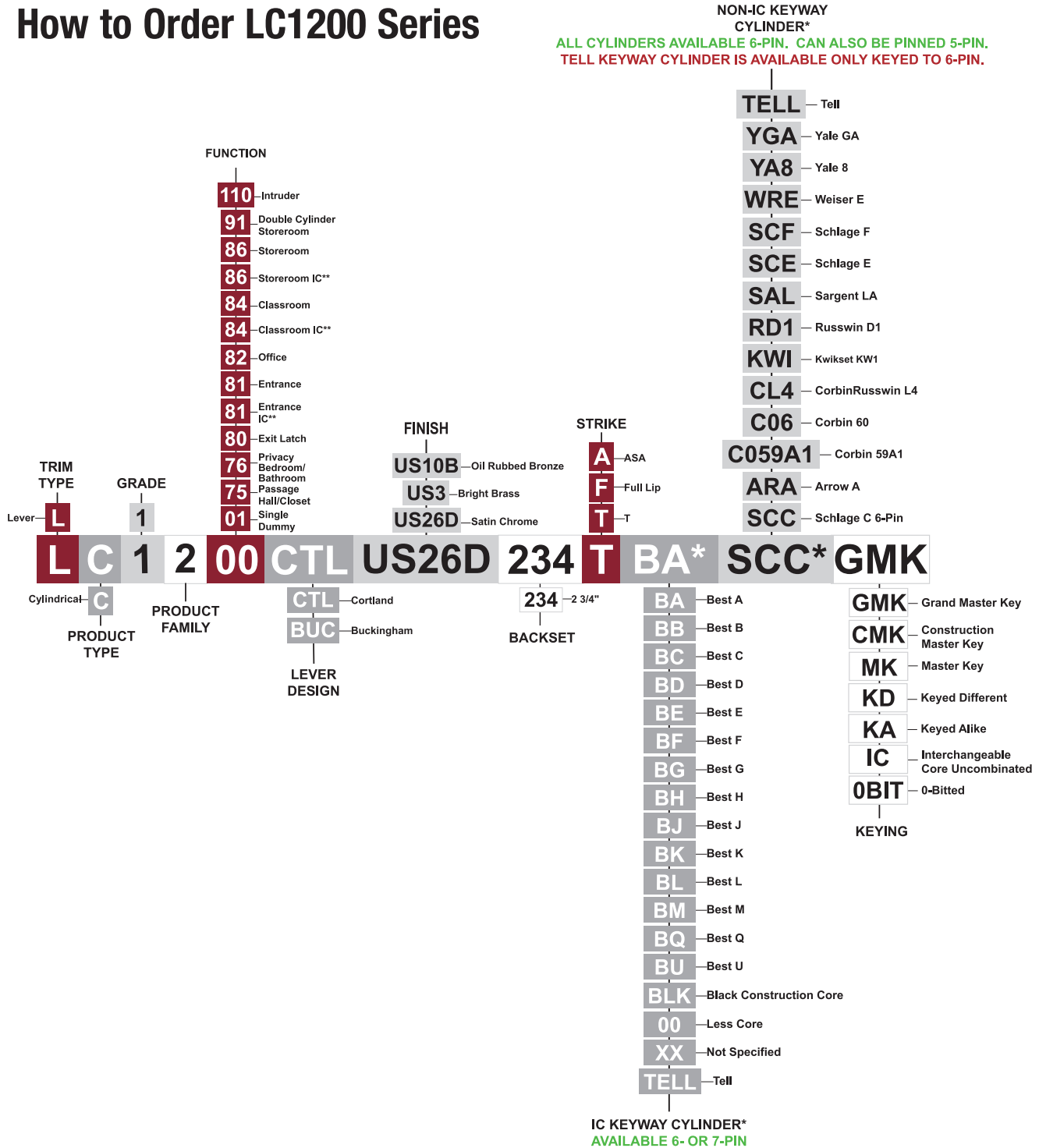
**CL101502** —  
7 pin Tell IC core, US4



**FINISHES:** US32D=Satin Stainless Steel, US3=Bright Brass, US26D=Satin Chrome, US4=Satin Brass, US10B=Oil Rubbed Bronze



# How to Order LC1200 Series



\* Choose one keyway format; either IC KEYWAY CYLINDER or Non-IC KEYWAY CYLINDER  
 \*\* IC functions in Satin Chrome (26D) only



# ML1300 SERIES

## Grade 1 Heavy-Duty Commercial Mortise Locksets



### Standard Features

#### ■ Performance

Complies with ANSI A156.13, Series 1000, Grade 1, ANSI A117.1 American Disabilities Act (ADA), 1,000,000 cycles Mortise, steel - coated with zinc dichromate (corrosion resistance), 13 gauge cold rolled steel

#### ■ Chassis

#### ■ Lever

Non-handed, field reversible, solid forged brass

#### ■ Trim

Roses, escutcheon, turns (solid forged brass)

#### ■ Latch bolt

Latch 3/4" throw (stainless steel), deadbolt 1" throw (stainless steel), anti-friction

#### ■ Backset

2-3/4"

#### ■ Strike

4-7/8" curved strike

#### ■ Door Range

1-3/4" to 2"

#### ■ Door Preparation

Per function and template

#### ■ Cylinder

Schlage (SCC) - 6-pin solid brass, C keyway, keyed different (KD)

#### ■ Other Cylinder

Arrow A (ARA), Corbin 59A1 (C059A1), Corbin 60 (C06), Corbin Russwin L4 (CL4), Kwikset (KW1), Russwin D1 (RD1), Sargent LA (SAL), Schlage E (SCE), Schlage F (SCF), Weiser E (WRE), Yale 8 (YA8), Yale GA (YGA)

#### ■ IC Keyway Cylinder

AVAILABLE 6- OR 7-PIN

Best A (BA), Best B (BB), Best C (BC), Best D (BD), Best E (BE), Best F (BF), Best G (BG), Best H (BH), Best J (BJ), Best K (BK), Best L (BL), Best M (BM), Best Q (BQ), Best U (BU), Black construction core (BLK), Less core (00), Not specified (XX)

#### ■ Keys

Two nickel silver per lock cylinder

#### ■ Warranty

5 year limited

### Optional Features

#### ■ Strike

Straight lip (stainless steel)

#### ■ Door Range

1-3/4" to 2"

#### ■ Cylinder

Other manufacturers including small format interchangeable cores

#### ■ Keying











Grand master key (GMK), construction master key (CMK), master key (MK), keyed different (KD), keyed alike (KA), 0-bitted (0BIT)



Curved Strike



## ML1300 Series Function Chart

FUNCTION	FUNCTION NO.	INSIDE	OUTSIDE	FUNCTION DESCRIPTION	ANSI NO.
Single Deadlock	131			<ul style="list-style-type: none"> <li>■ Deadbolt by key outside</li> <li>■ No inside operation</li> </ul>	F18
Double Deadlock	133			<ul style="list-style-type: none"> <li>■ Deadbolt by either side</li> </ul>	F16
Classroom	132			<ul style="list-style-type: none"> <li>■ Deadbolt by key outside or by thumbturn lever inside.</li> </ul>	F17
Passage Hall/Closet	126			<ul style="list-style-type: none"> <li>■ Latchbolt by grip either side</li> <li>■ Both grips always free</li> </ul>	F01
Store Door	137			<ul style="list-style-type: none"> <li>■ Latchbolt by grip either side</li> <li>■ Deadbolt by key either side</li> </ul>	F14
Entrance or Storeroom	135			<ul style="list-style-type: none"> <li>■ Latchbolt by grip either side</li> <li>■ Deadbolt by key outside or by thumbturn lever inside</li> </ul>	F21
Privacy Bedroom or Bathroom	179			<ul style="list-style-type: none"> <li>■ Latchbolt by grip either side</li> <li>■ Deadbolt by thumbturn lever inside or emergency release tool outside</li> <li>■ Inside grip simultaneously retracts latchbolt and deadbolt</li> </ul>	F19
Institution or Utility	138			<ul style="list-style-type: none"> <li>■ Latchbolt by key either side</li> <li>■ Both grips always rigid</li> <li>■ Auxiliary latch deadlocks latchbolt</li> </ul>	—







## ML1300 Series Function Chart

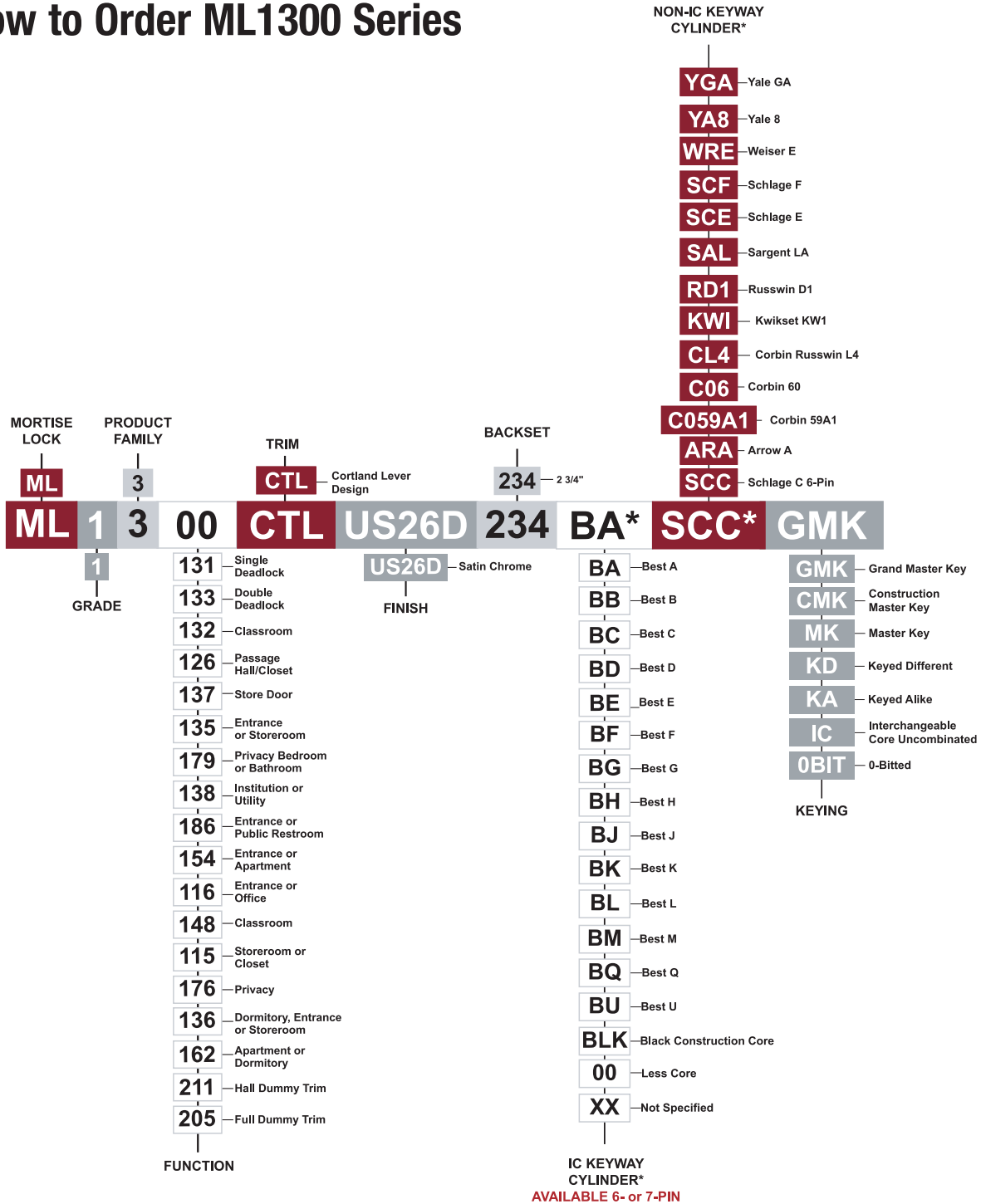
FUNCTION	FUNCTION NO.	INSIDE	OUTSIDE	FUNCTION DESCRIPTION	ANSI NO.
Entrance or Public Restroom	186			<ul style="list-style-type: none"> <li>Latchbolt by grip either side, unless outside grip is locked by master key from inside</li> <li>Latchbolt by key outside or by grip inside</li> <li>Auxiliary latch deadlocks latchbolt</li> <li>Inside grip always free</li> </ul>	09
Entrance or Apartment	154			<ul style="list-style-type: none"> <li>Latchbolt by key outside or by grip either side unless outside grip is locked by toggle-action stop</li> <li>Deadbolt by key outside or by thumbturn lever inside</li> </ul>	F10
Entrance or Office	116			<ul style="list-style-type: none"> <li>Latchbolt by key outside or by grip either side unless outside grip is locked by toggle-action stop</li> <li>Auxiliary latch deadlocks latchbolt</li> <li>Inside grip always free</li> </ul>	F04
Classroom	148			<ul style="list-style-type: none"> <li>Latchbolt by grip either side, unless outside grip is locked by key outside</li> </ul>	F05
Storeroom or Closet	115			<ul style="list-style-type: none"> <li>Latchbolt by grip inside or by key outside</li> <li>Outside grip always rigid</li> <li>Auxiliary latch deadlocks latchbolt</li> <li>Inside grip always free</li> </ul>	F07
Privacy	176			<ul style="list-style-type: none"> <li>Latchbolt by grip either side, except when outside is locked by thumbturn inside</li> <li>Operating inside grip, closing door or operating emergency key outside unlocks outside grip</li> </ul>	F22
Dormitory, Entrance or Storeroom	136			<ul style="list-style-type: none"> <li>Latchbolt by grip either side</li> <li>Deadbolt by key outside or by thumbturn lever inside</li> <li>Inside grip simultaneously retracts latchbolt and deadbolt</li> </ul>	F13
Apartment or Dormitory	162			<ul style="list-style-type: none"> <li>Latchbolt by grip either side, unless outside grip is locked by toggle-action stop or by projection of deadbolt</li> <li>Deadbolt by key outside or by thumbturn lever inside</li> <li>Inside grip simultaneously retracts latchbolt and deadbolt; outside grip remains locked</li> </ul>	F12
Half Dummy Trim	211			<ul style="list-style-type: none"> <li>Grip acts as pull only; no operation</li> </ul>	—
Trim	205			<ul style="list-style-type: none"> <li>Grip act as pull only; no operation</li> </ul>	—

Indicates rigid grip





# How to Order ML1300 Series



\* Choose one keyway format; either IC KEYWAY CYLINDER or Non-IC KEYWAY CYLINDER

Grade Two  
White Tab

Grade Two  
White Tab back



# LT2000 SERIES

## Light-Duty Tubular Grade 2 Leversets



### Standard Features

- **Performance** Complies with ANSI A156.2, Series 4000, Grade 2, (400,000 cycles), UL/ULC listed for 3 hour fire door ANSI A117.1 American Disabilities Act (ADA)
- **Chassis** Tubular, steel - coated with zinc dichromate (corrosion resistance)
- **Lever** Non-handed, solid cast
- **Latch** 1" x 2-1/4", square corner faceplate, 1" housing diameter (stainless steel), 1/2" throw
- **Rose** 3" diameter
- **Backset** Adjustable 2-3/4" or 2-3/8"
- **Strike** Square corner 1-1/4" x 4-7/8" ANSI **ASA Strike**
- **Standard Cylinder** Standard cylinder Schlage (SCC) - 6-pin solid brass, C keyway, keyed different (KD).
- **Keys** Two nickel silver per lock cylinder
- **Door Range** 1-3/8" to 2"
- **Door Preparation** 2-1/8" diameter for lever, 1" diameter for latch bolt. Fits standard 161 door prep.
- **Warranty** 1 year limited

### Optional Features

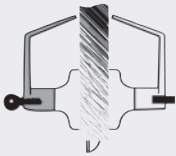

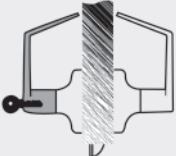

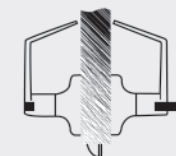



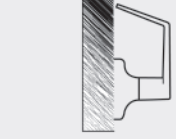

- **Strike** **T Strike** (1-1/8" x 2-3/4"), and **F Strike** (full lip)

### Keying Options

- **Tell Cylinder** Restricted Tell keyway cylinder available, optional. Tell keyway cylinder is available **only** keyed to 6-pin.
- **Other Cylinder Options** Arrow A (ARA), Corbin 59A1 (C059A1), Corbin 60 (C06), Corbin Russwin L4 (CL4), Kwikset (KW1), Russwin D1 (RD1), Sargent LA (SAL), Schlage E (SCE), Schlage F (SCF), Weiser E (WRE), Yale 8 (YA8), Yale GA (YGA)  
**ALL CYLINDERS 6-PIN. CAN ALSO BE PINNED 5-PIN.**
- **Keying Options** Grand master key (GMK), construction master key (CMK), master key (MK), keyed different (KD), keyed alike (KA), 0-bitted (OBIT)



## LT2000 Series Function Chart

FUNCTION	FUNCTION NO.	OUTSIDE	INSIDE	FUNCTION DESCRIPTION	ANSI NO.
Entry/Office	81			<ul style="list-style-type: none"> <li>■ Latchbolt operated by lever from either side</li> <li>■ Outside lever locked by turn button from inside</li> <li>■ Unlocked by key from outside or rotating inside lever</li> </ul>	F82
Storeroom	86			<ul style="list-style-type: none"> <li>■ Latch operated by rotating inside lever or key in outside lever</li> <li>■ Outside lever always fixed</li> </ul>	F86
Privacy Bedroom/Bathroom	76			<ul style="list-style-type: none"> <li>■ Latchbolt operated by lever from either side</li> <li>■ Outside lever locked by push button on inside</li> <li>■ Unlocked by emergency release on outside, rotating inside lever</li> </ul>	F76
Passage Hall/Closet	75			<ul style="list-style-type: none"> <li>■ Latchbolt operated by lever from either side at all times</li> </ul>	F75
Single Dummy	01			<ul style="list-style-type: none"> <li>■ Pull lever one side</li> <li>■ No mechanical operation</li> </ul>	



## LT2000 Series Latches

### CL100506

Drive-in latch, non-dead latching, used where face plate not required. 1/2" throw. Backset adjustable 2-3/8" to 2-3/4".



### CL100505

Drive-in latch, dead latching, used where face plate not required. 1/2" throw. Backset adjustable 2-3/8" to 2-3/4".



### CL100504, US32D

UL/ULC listed latch bolt with non-deadlatching function. 1/2" throw. Backset adjustable 2-3/8" to 2-3/4". Fits 160 door prep (2-1/8" hole, 7/8" latch hole) or fits 161 door prep (2-1/8" hole, 1" latch hole).



### CL100503, US32D

UL/ULC listed latch bolt with deadlatching function. 1/2" throw. Backset adjustable 2-3/8" to 2-3/4". Fits 160 door prep (2-1/8" hole, 7/8" latch hole) or fits 161 door prep (2-1/8" hole, 1" latch hole).



## LT2000 Series Strikes

### CL100186 — ASA Strike, US32D

### CL100187 — ASA Strike, US3

### CL100415 — ASA Strike, US10B

For metal frames. (1-1/4" x 4-7/8" x 3/32").



### CL100191 — T Strike, US32D

### CL100189 — T Strike, US3

### CL100420 — T Strike, US10B

For wood frames. (1-1/8" x 2-3/4" x 3/32").



### CL100190 — F Strike, US32D

### CL100192 — F Strike, US3

### CL100581 — F Strike, US10B

For wood residential applications. (1-5/8" x 2-1/4" x 3/32").



## LT2000 Series Non-Restricted Keyway

### CL100219 —

Cylinder, Schlage C, US26D

### CL100584 —

Cylinder, Schlage C, US4

Standard brass 6-pin cylinder SCC keyway, optional keyways available (see price list).



## LT2000 Series Tell Restricted Keyway

### TELL CYLINDERS:

### CL101503 —

6 pin Tell cylinder, US26D

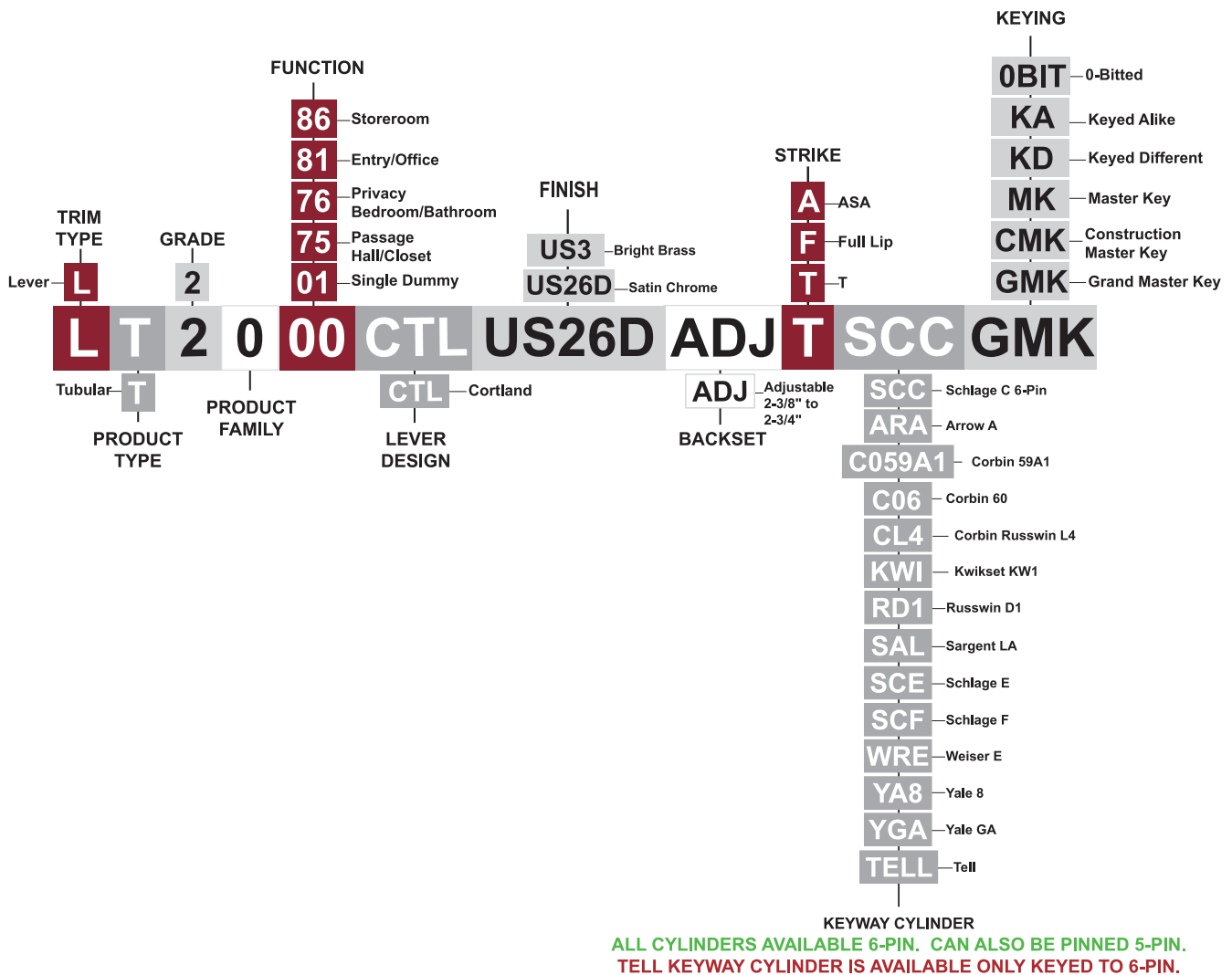
### CL101504 —

6 pin Tell cylinder, US4





# How to Order LT2000 Series







# KT2100 SERIES

## Light-Duty Tubular Grade 2 Knobsets



### Standard Features

- **Performance** Complies with ANSI A156.2, Series 4000, Grade 2, 400,000 cycles, UL/ULC Listed for 3 hour fire door
- **Chassis** Tubular type construction, non-handed
- **Latch** 1" x 2-1/4", square corner, 3/4" housing diameter, 1/2" throw
- **Rose** 3" diameter
- **Backset** Adjustable 2"-3/8" - 2"-3/4"
- **Strike** Square corner, 1-1/4" x 4-7/8"
- **Standard Cylinder** Standard cylinder Schlage (SCC) - 6-pin solid brass, C keyway, keyed different (KD).
- **Keys** Two nickel silver per lock cylinder
- **Door Range** 1"-3/8" to 1-3/4"
- **Door Preparation** 2"-1/8" hole x 1" latch hole fits standard 161 door prep
- **Warranty** 1 year limited

### Optional Features

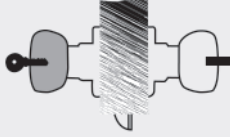

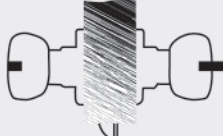
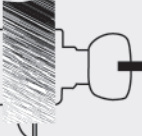
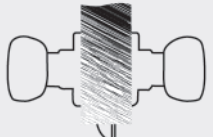
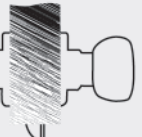
- **Latch** 1"-1/8" x 2"x1/4", square corner faceplate, 7/8" housing diameter, 1/2" throw (fits 161 door prep)
- **Strike** **T strike** (1"-1/8" x 2"-3/4") and **F strike** (full lip)

### Keying Options

- **Tell Cylinder** Restricted Tell keyway cylinder available, optional. Tell keyway cylinder is available **only** keyed to 6-pin.
- **Other Cylinder Options** Arrow A (ARA), Corbin 59A1 (C059A1), Corbin 60 (C06), Corbin Russwin L4 (CL4), Kwikset (KW1), Russwin D1 (RD1), Sargent LA (SAL), Schlage E (SCE), Schlage F (SCF), Weiser E (WRE), Yale 8 (YA8), Yale GA (YGA)  
**ALL CYLINDERS 6-PIN. CAN ALSO BE PINNED 5-PIN.**
- **Keying Options** Grand master key (GMK), construction master key (CMK), master key (MK), keyed different (KD), keyed alike (KA), 0-bitted (0BIT)



## KT2100 Series Function Chart

FUNCTION	FUNCTION NO.	OUTSIDE	INSIDE	FUNCTION DESCRIPTION	ANSI NO.
Entry/Office	81			<ul style="list-style-type: none"> <li>■ Deadlocking latchbolt operated by knob from either side</li> <li>■ Outside knob locked by push button from inside</li> <li>■ Unlocked by key from outside or rotating inside knob</li> <li>■ When outside knob locked by push button from inside, key from outside or rotating inside knob retracts latch, and unlocks outside knob</li> </ul>	F82
Privacy Bedroom/Bathroom	76			<ul style="list-style-type: none"> <li>■ Latchbolt operated by knob from either side</li> <li>■ Outside knob locked by push button on inside</li> <li>■ Unlocked by emergency release on outside, rotating inside knob</li> </ul>	F76
Passage/Hall Closet	75			<ul style="list-style-type: none"> <li>■ Latchbolt operated by knob from either side at all times</li> </ul>	F75



## ACCESSORIES

### KT2100 Series Latches

#### CL100506

Drive-in latch, non-dead latching, used where face plate not required. 1/2" throw. Backset adjustable 2-3/8" to 2-3/4".



#### CL100505

Drive-in latch, dead latching, used where face plate not required. 1/2" throw. Backset adjustable 2-3/8" to 2-3/4".



#### CL100504, US32D

UL/ULC listed latch bolt with non-deadlatching function. 1/2" throw. Backset adjustable 2-3/8" to 2-3/4". Fits 160 door prep (2-1/8" hole, 7/8" latch hole) or fits 161 door prep (2-1/8" hole, 1" latch hole).



#### CL100503, US32D

UL/ULC listed latch bolt with deadlatching function. 1/2" throw. Backset adjustable 2-3/8" to 2-3/4". Fits 160 door prep (2-1/8" hole, 7/8" latch hole) or fits 161 door prep (2-1/8" hole, 1" latch hole).



### KT2100 Series Strikes

#### CL100186 — ASA Strike, US32D

#### CL100187 — ASA Strike, US3

#### CL100415 — ASA Strike, US10B

For metal frames. (1-1/4" x 4-7/8" x 3/32").



#### CL100191 — T Strike, US32D

#### CL100189 — T Strike, US3

#### CL100420 — T Strike, US10B

For wood frames. (1-1/8" x 2-3/4" x 3/32").



#### CL100190 — F Strike, US32D

#### CL100192 — F Strike, US3

#### CL100581 — F Strike, US10B

For wood residential applications. (1-5/8" x 2-1/4" x 3/32").



### KT2100 Series Non-Restricted Keyway

#### CL100219 —

Cylinder, Schlage C, US26D

#### CL100584 —

Cylinder, Schlage C, US4

Standard brass 6-pin cylinder SCC keyway, optional keyways available (see price list).



### KT2100 Series Tell Restricted Keyway

#### TELL CYLINDERS:

#### CL101503 —

6 pin Tell cylinder, US26D

#### CL101504 —

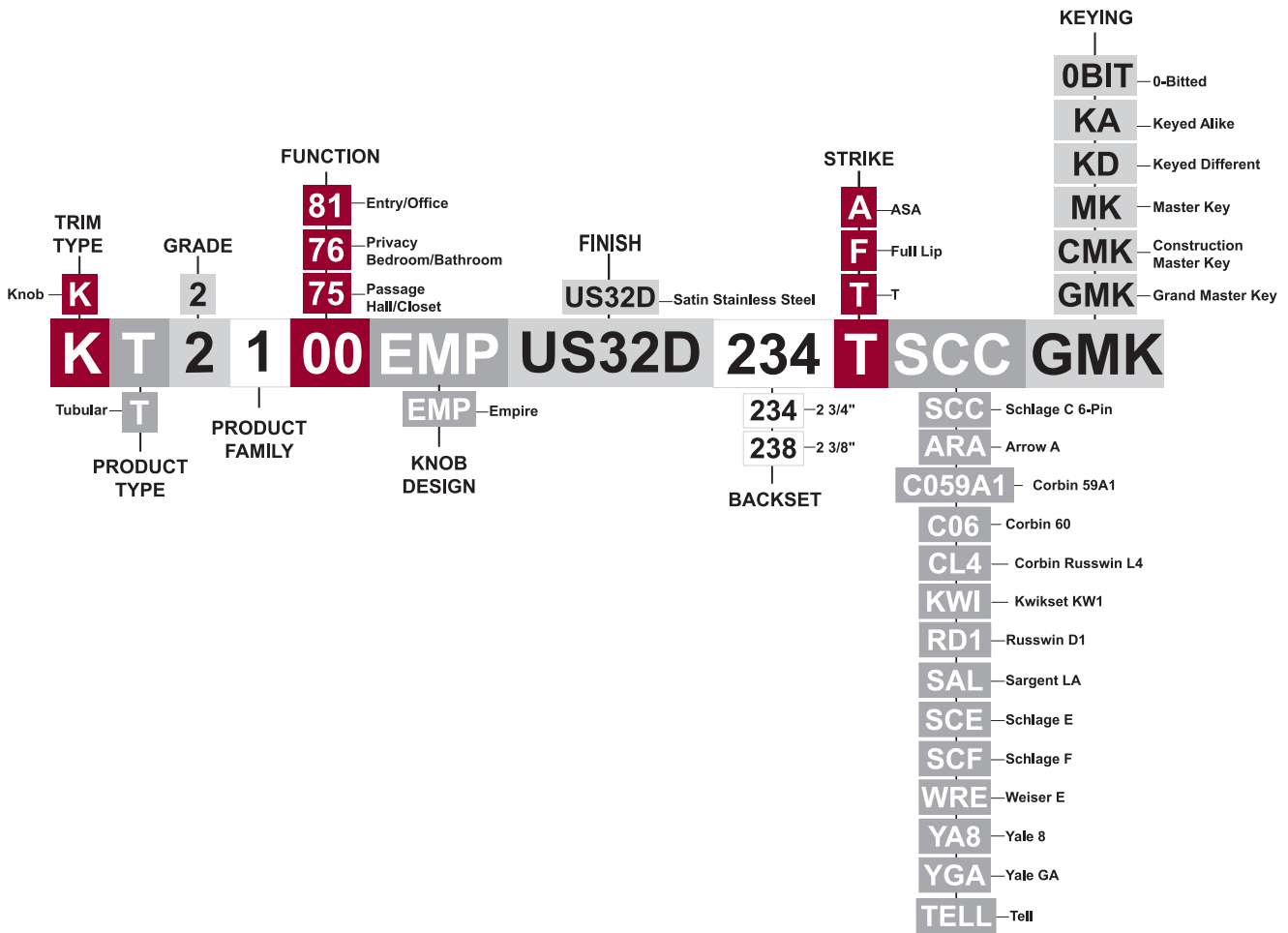
6 pin Tell cylinder, US4



FINISHES: US32D=Satin Stainless Steel, US3=Bright Brass, US26D=Satin Chrome, US4=Satin Brass, US10B=Oil Rubbed Bronze



# How to Order KT2100 Series



ALL CYLINDERS AVAILABLE 6-PIN. CAN ALSO BE PINNED 5-PIN.  
TELL KEYWAY CYLINDER IS AVAILABLE ONLY KEYED TO 6-PIN.



# KC2300 SERIES

## Heavy-Duty Cylindrical Grade 2 Knobsets



### Standard Features

- **Performance** Complies with ANSI A156.2, Series 4000, Grade 2, (400,000 cycles), UL/ULC listed for 3 hour fire door
- **Chassis** Cylindrical, steel - coated with zinc dichromate (corrosion resistance)
- **Latch** 1-1/8" x 2-1/4", square corner faceplate, 1" housing diameter (stainless steel), 1/2" throw
- **Rose** 3" diameter
- **Backset** 2-3/4"
- **Strike** Square corner 1-1/4" x 4-7/8" ANSI **ASA Strike**
- **Standard Cylinder** Standard cylinder Schlage (SCC) - 6-pin solid brass, C keyway, keyed different (KD).
- **Keys** Two nickel silver per lock cylinder
- **Door Range** 1-3/8" to 1-3/4"
- **Door Preparation** 2-1/8" diameter for knob, 1" diameter for latch bolt. Fits standard 161 door prep.
- **Warranty** 1 year limited

### Optional Features

- **Backset** 2-3/8"
- **Strike** **T Strike** (1-1/8" x 2-3/4"), and **F Strike** (full lip)

### Keying Options

- **Tell Cylinder** Restricted Tell keyway cylinder available, optional. Tell keyway cylinder is available **only** keyed to 6-pin.
- **Other Cylinder Options** Arrow A (ARA), Corbin 59A1 (C059A1), Corbin 60 (C06), Corbin Russwin L4 (CL4), Kwikset (KW1), Russwin D1 (RD1), Sargent LA (SAL), Schlage E (SCE), Schlage F (SCF), Weiser E (WRE), Yale 8 (YA8), Yale GA (YGA)  
**ALL CYLINDERS 6-PIN. CAN ALSO BE PINNED 5-PIN.**
- **Keying Options** Grand master key (GMK), construction master key (CMK), master key (MK), keyed different (KD), keyed alike (KA), 0-bitted (OBIT)

## KC2300 Series Function Chart

FUNCTION	FUNCTION NO.	OUTSIDE	INSIDE	FUNCTION DESCRIPTION	ANSI NO.
Entrance	81			<ul style="list-style-type: none"> <li>▪ Latchbolt operated by knob from either side</li> <li>▪ Outside knob locked by push button from inside</li> <li>▪ Unlocked by key from outside or rotating inside knob</li> <li>▪ When outside knob locked by push and turn button from inside, key from outside or rotating inside knob retracts latch, does not unlock outside knob</li> </ul>	F81
Classroom	84			<ul style="list-style-type: none"> <li>▪ Latchbolt operated by knob from each side</li> <li>▪ Outside knob locked or unlocked by key from outside</li> <li>▪ Inside knob always operates latch</li> </ul>	F84
Storeroom	86			<ul style="list-style-type: none"> <li>▪ Latch operated by rotating inside knob or key in outside knob</li> <li>▪ Outside knob always fixed</li> </ul>	F86
Communicating	91			<ul style="list-style-type: none"> <li>▪ Deadlocking latchbolt operated by either knob</li> <li>▪ Key in outside knob; locks / unlocks outside knob</li> <li>▪ Key in inside knob; locks / unlocks inside knob</li> <li>▪ Each knob locks / unlocks independently</li> </ul>	F80
Hotel	93			<ul style="list-style-type: none"> <li>▪ Deadlocking latchbolt</li> <li>▪ Rigid outside, active inside knob</li> <li>▪ Latchbolt retracted by key or rotating inside knob</li> <li>▪ Push button on inside knob projects occupancy indicator on face of cylinder plug, shuts out all keys except emergency or display keys</li> <li>▪ Push button is released by turning inside knob or closing door</li> <li>▪ Inserted emergency or display key rotated left, fixes pushbutton in locked position, shuts out all other keys</li> </ul>	F93
Privacy Bedroom/Bathroom	76			<ul style="list-style-type: none"> <li>▪ Latchbolt operated by knob from either side</li> <li>▪ Outside knob locked by push button on inside</li> <li>▪ Unlocked by emergency release on outside, rotating inside knob, or closing door</li> </ul>	F76
Passage/Closet	75			<ul style="list-style-type: none"> <li>▪ Latchbolt operated by knob from either side at all times</li> </ul>	F75
Exit Latch	80			<ul style="list-style-type: none"> <li>▪ Latchbolt operated by knob from one side at all times</li> </ul>	
Single Dummy	01			<ul style="list-style-type: none"> <li>▪ Pull knob one side</li> <li>▪ No mechanical operation</li> </ul>	



## ACCESSORIES

### KC2300 Series Latches

**CL100193** —  
2-3/4" Guarded, US26D

**CL100194** —  
2-3/4" Unguarded, US26D

**CL100195** —  
2-3/8" Unguarded, US26D

**CL100518** —  
2-3/8" Guarded, US26D

Drive-in latch, used where face plate not required available in 2-3/8" and 2-3/4" backset. 1/2" throw, 1" diameter body.



**CL100214** —  
2-3/4" Unguarded, US32D

**CL100216** —  
2-3/8" Unguarded, US32D

**CL100210** —  
2-3/4" Unguarded, US3

**CL100211** —  
2-3/8" Unguarded, US3

UL/ULC listed latch bolt with non-deadlatching function. 1/2" throw. 2-3/8" and 2-3/4" backset available. Fits 160 door prep (2-1/8" hole, 7/8" latch hole) or fits 161 door prep (2-1/8" hole, 1" latch hole).



**CL100213** —  
2-3/4" Guarded, US32D

**CL100212** —  
2-3/8" Guarded, US32D

**CL100209** —  
2-3/4" Guarded, US3

**CL100251** —  
2-3/8" Guarded, US3

UL/ULC listed latch bolt with deadlatching function. 1/2" throw. 2-3/8" and 2-3/4" backset available. Fits 160 door prep (2-1/8" hole, 7/8" latch hole) or fits 161 door prep (2-1/8" hole, 1" latch hole).



### KC2300 Series Strikes

**CL100186** — ASA Strike, US32D

**CL100187** — ASA Strike, US3

**CL100415** — ASA Strike, US10B

For metal frames. (1-1/4" x 4-7/8" x 3/32").

**CL100191** — T Strike, US32D

**CL100189** — T Strike, US3

**CL100420** — T Strike, US10B

For wood frames. (1-1/8" x 2-3/4" x 3/32").

**CL100190** — F Strike, US32D

**CL100192** — F Strike, US3

**CL100581** — F Strike, US10B

For wood residential applications. (1-5/8" x 2-1/4" x 3/32").



### KC2300 Series Non-Restricted Keyway

**CL100219** —  
Cylinder, Schlage C, US26D

**CL100584** —  
Cylinder, Schlage C, US4

Standard brass 6-pin cylinder SCC keyway, optional keyways available (see price list).



### KC2300 Series Tell Restricted Keyway

TELL CYLINDERS:

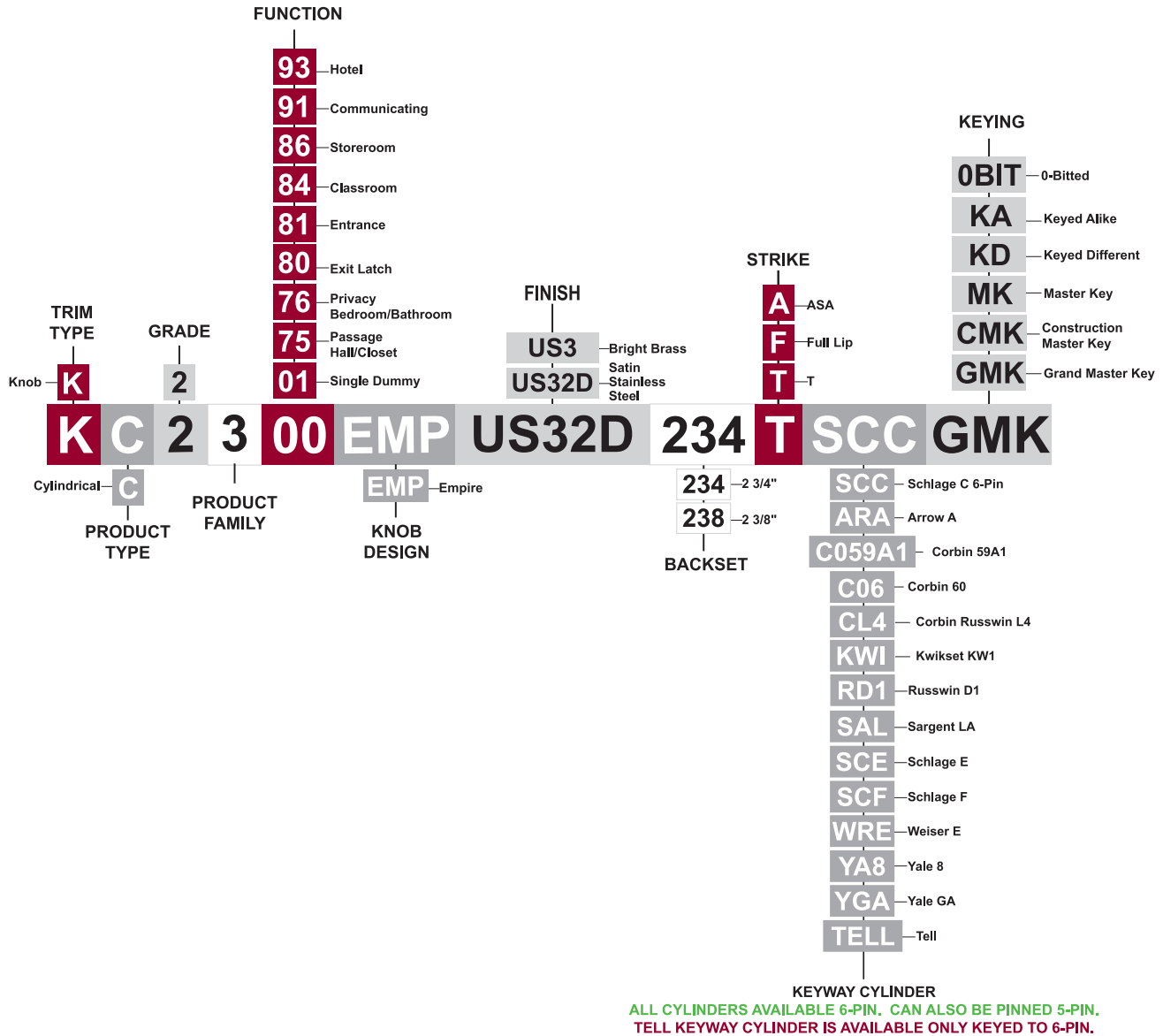
**CL101503** —  
6 pin Tell cylinder, US26D

**CL101504** —  
6 pin Tell cylinder, US4





# How to Order KC2300 Series







# LC2400 SERIES

## Heavy-Duty Cylindrical Grade 2 Leversets



Cortland (CTL)



Buckingham (BUC)

### Standard Features

- **Performance** Complies with ANSI A156.2, Series 4000, Grade 2, (400,000 cycles), UL/ULC listed for 3 hour fire door ANSI A117.1 American Disabilities Act (ADA)
- **Chassis** Cylindrical, steel - coated with zinc dichromate (corrosion resistance), freewheeling clutch (added security from hammer attacks), independent spring cages
- **Lever** Non-handed, solid cast
- **Latch** 1-1/8" x 2-1/4", square corner faceplate, 1" housing diameter (stainless steel), 1/2" throw
- **Rose** 3-1/2" diameter
- **Thru-bolts** Thru-bolts standard. Removable available.
- **Backset** 2-3/4"
- **Strike** Square corner 1-1/4" x 4-7/8" ANSI **ASA Strike**
- **Standard Cylinder** Standard cylinder Schlage (SCC) - 6-pin solid brass, C keyway, keyed different (KD).
- **Keys** Two nickel silver per lock cylinder
- **Cylinder** Other manufacturers including small format interchangeable cores
- **Door Range** 1-3/8" - 2"
- **Door Preparation** 2-1/8" diameter for lever, 1" diameter for latchbolt. Fits standard 161 door prep with through-bolting through the door.
- **Warranty** 1 year limited

### Optional Features

- **Strike** **T Strike** (1-1/8" x 2-3/4"), and **F Strike** (full lip)
- **Backset** 2-3/8"

### Keying Options

- **Tell Cylinder** Restricted Tell keyway cylinder can key both the cylinder and interchangeable core in one lock. The cylinders and IC cores are interchangeable. Tell keyway cylinder is available **only** keyed to 6-pin. Tell IC cylinder can be keyed to 6-pin or 7-pin interchangeable core (IC).
- **Other Cylinder Options** Arrow A (ARA), Corbin 59A1 (C059A1), Corbin 60 (C06), Corbin Russwin L4 (CL4), Kwikset (KW1), Russwin D1 (RD1), Sargent LA (SAL), Schlage E (SCE), Schlage F (SCF), Weiser E (WRE), Yale 8 (YA8), Yale GA (YGA)  
**ALL CYLINDERS 6-PIN. CAN ALSO BE PINNED 5-PIN.**
- **IC Keyway Cylinder** Tell, Best A (BA), Best B (BB), Best C (BC), Best D (BD), Best E (BE), Best F (BF), Best G (BG), Best H (BH), Best J (BJ), Best K (BK), Best L (BL), Best M (BM), Best Q (BQ), Best U (BU), Black construction core (BLK), Less core (00), Not specified (XX)  
**AVAILABLE 6- OR 7-PIN**
- **Keying Options** Grand master key (GMK), construction master key (CMK), master key (MK), keyed different (KD), keyed alike (KA), interchangeable core uncombined (IC), 0-bitted (0BIT)

# LC2400 Series Function Chart



FUNCTION	FUNCTION NO.	OUTSIDE	INSIDE	FUNCTION DESCRIPTION	ANSI NO.
Entrance	81			<ul style="list-style-type: none"> <li>Latchbolt operated by lever from either side</li> <li>Outside lever locked by push button from inside</li> <li>Unlocked by key from outside or rotating inside lever</li> <li>When outside lever locked by push and turn button from inside, key from outside or rotating inside lever retracts latch, does not unlock outside lever</li> </ul>	F81
Office	82			<ul style="list-style-type: none"> <li>Deadlocking latch bolt operated by lever from either side except when outside lever is locked by push button or other locking device on inside. When outside lever is locked, operating key in outside lever or operating inside lever unlocks push button or other locking device and retracts latch bolt. Closing door does not release push button or other locking device.</li> </ul>	
Classroom	84			<ul style="list-style-type: none"> <li>Latchbolt operated by lever from each side</li> <li>Outside lever locked or unlocked by key from outside</li> <li>Inside lever always operates latch</li> </ul>	F84
Storeroom	86			<ul style="list-style-type: none"> <li>Latch operated by rotating inside lever or key in outside lever</li> <li>Outside lever always fixed</li> </ul>	F86
Double Cylinder Storeroom	91			<ul style="list-style-type: none"> <li>Deadlocking latchbolt operated by either lever</li> <li>Key in either lever locks or unlocks both levers</li> </ul>	F80
Intruder	110			<ul style="list-style-type: none"> <li>For classroom doors</li> <li>Deadlatching latchbolt</li> <li>Either lever operates latchbolt (except when outside lever is locked by key from either side)</li> <li>Outside lever remains locked upon egress</li> <li>Inside lever always active</li> </ul>	F110
Privacy Bedroom/Bathroom	76			<ul style="list-style-type: none"> <li>Latchbolt operated by lever from either side</li> <li>Outside lever locked by push button on inside</li> <li>Unlocked by emergency release on outside, rotating inside lever, or closing door</li> </ul>	F76
Passage Hall/Closet	75			<ul style="list-style-type: none"> <li>Latchbolt operated by lever from either side at all times</li> </ul>	F75
Exit Latch	80			<ul style="list-style-type: none"> <li>Latchbolt operated by lever from one side at all times</li> </ul>	
Single Dummy	01			<ul style="list-style-type: none"> <li>Pull lever one side</li> <li>No mechanical operation</li> </ul>	

# ACCESSORIES

## LC2400 Series Latches



**CL100193** —  
2-3/4" Guarded, US26D

**CL100194** —  
2-3/4" Unguarded, US26D

**CL100195** —  
2-3/8" Unguarded, US26D

**CL100518** —  
2-3/8" Guarded, US26D

Drive-in latch, used where face plate not required available in 2-3/8" and 2-3/4" backset. 1/2" throw, 1" diameter body.



**CL100214** —  
2-3/4" Unguarded, US32D

**CL100216** —  
2-3/8" Unguarded, US32D

**CL100210** —  
2-3/4" Unguarded, US3

**CL100211** —  
2-3/8" Unguarded, US3

UL/ULC listed latch bolt with non-deadlatching function. 1/2" throw. 2-3/8" and 2-3/4" backset available. Fits 160 door prep (2-1/8" hole, 7/8" latch hole) or fits 161 door prep (2-1/8" hole, 1" latch hole).



**CL100213** —  
2-3/4" Guarded, US32D

**CL100212** —  
2-3/8" Guarded, US32D

**CL100209** —  
2-3/4" Guarded, US3

**CL100251** —  
2-3/8" Guarded, US3

UL/ULC listed latch bolt with deadlatching function. 1/2" throw. 2-3/8" and 2-3/4" backset available. Fits 160 door prep (2-1/8" hole, 7/8" latch hole) or fits 161 door prep (2-1/8" hole, 1" latch hole).



## LC2400 Series Strikes

**CL100186** — ASA Strike, US32D

**CL100187** — ASA Strike, US3

**CL100415** — ASA Strike, US10B

For metal frames. (1-1/4" x 4-7/8" x 3/32").



**CL100191** — T Strike, US32D

**CL100189** — T Strike, US3

**CL100420** — T Strike, US10B

For wood frames. (1-1/8" x 2-3/4" x 3/32").



**CL100190** — F Strike, US32D

**CL100192** — F Strike, US3

**CL100581** — F Strike, US10B

For wood residential applications. (1-5/8" x 2-1/4" x 3/32").



## LC2400 Series Non-Restricted Keyway

**CL100219** —  
Cylinder, Schlage C, US26D

**CL100584** —  
Cylinder, Schlage C, US4

Standard brass 6-pin cylinder SCC keyway, optional keyways available (see price list).



**CL100268** —  
IC Core Best A 6 Pin, US26D

**CL100270** —  
IC Core Best A 7 Pin, US26D

**CL100269** —  
IC Core Best A 6 Pin, US4

**CL100271** —  
IC Core Best A 7 Pin, US4

Small format interchangeable core brass cylinder 6-pin standard, 7-pin available. Best "A" keyway standard.



## LC2400 Series Tell Restricted Keyway

**TELL CYLINDERS:**

**CL101503** —  
6 pin Tell cylinder, US26D

**CL101504** —  
6 pin Tell cylinder, US4



**TELL INTERCHANGEABLE CORES:**

**CL101499** — 6 pin Tell IC core, US26D

**CL101500** — 6 pin Tell IC core, US4

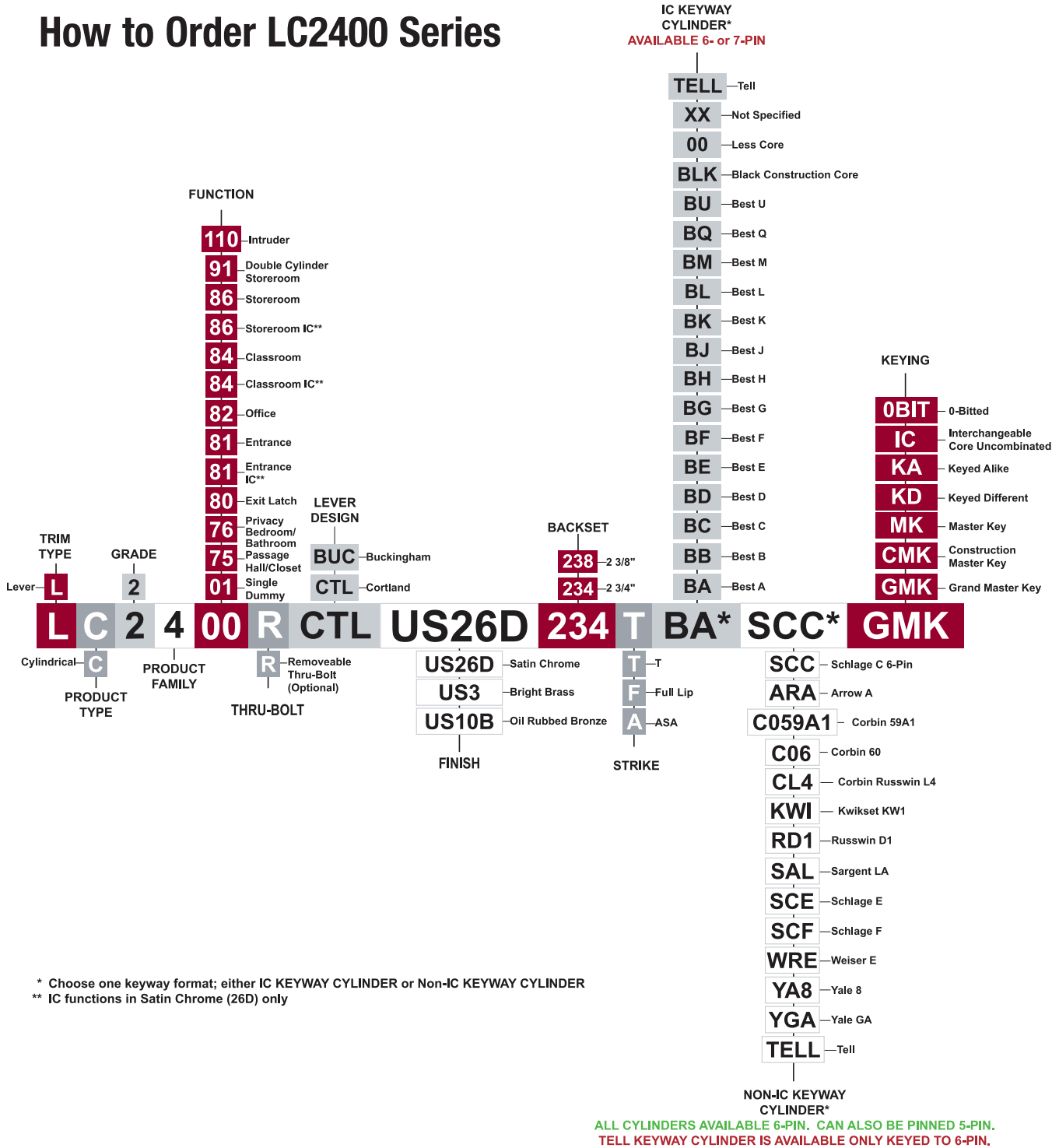
**CL101501** — 7 pin Tell IC core, US26D

**CL101502** — 7 pin Tell IC core, US4





# How to Order LC2400 Series



\* Choose one keyway format; either IC KEYWAY CYLINDER or Non-IC KEYWAY CYLINDER  
 \*\* IC functions in Satin Chrome (26D) only

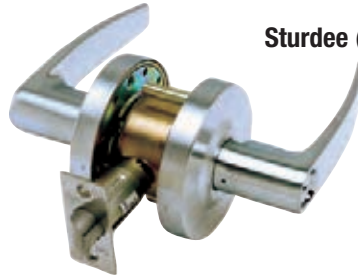


# LC2600 SERIES

## Standard-Duty Cylindrical Grade 2 Leversets



Cortland (CTL)



Sturdee (STR)



Beacon (BEC)

### Standard Features

- **Performance** Complies with ANSI A156.2, Series 4000, Grade 2, 400,000 cycles, ANSI A117.1 accessibility (ADA) code, UL/ULC listed for 3 hour fire door
- **Chassis** Cylindrical, steel-coated w/ zinc dichronate (corrosion resistance)
- **Lever** Non-handed
- **Latch** 1-1/8" x 2-1/4" square corner faceplate, 3/4" housing, 1/2" throw (stainless steel)
- **Rose** 3-1/4" diameter
- **Thru-bolts** Removable thru-bolts standard
- **Backset** 2-3/8" or 2-3/4"
- **Strike** Square corner 1-1/4" x 4-7/8" ANSI ASA Strike
- **Standard Cylinder** Standard cylinder Schlage (SCC) - 6-pin solid brass, C keyway, keyed different (KD).
- **Keys** Two nickel silver per lock
- **Door Range** 1-3/8" to 2"
- **Door Preparation** 2-1/8" diameter for bore, 1" diameter latch bore. Fits standard 161 door prep.
- **Warranty** 1 year limited

### Optional Features

- **Chassis** Freewheeling clutch, optional for **Cortland** and **Sturdee** only.
- **Strike** **T Strike** (1-1/8" x 2-3/4"), and **F Strike** (full lip)

### Keying Options

- **Tell Cylinder** Restricted Tell keyway cylinder can key both the cylinder and interchangeable core in one lock. The cylinders and IC cores are interchangeable. Tell keyway cylinder is available **only** keyed to 6-pin. Tell IC cylinder can be keyed to 6-pin or 7-pin interchangeable core (IC).
- **Other Cylinder Options** Arrow A (ARA), Corbin 59A1 (C059A1), Corbin 60 (C06), Corbin Russwin L4 (CL4), Kwikset (KW1), Russwin D1 (RD1), Sargent LA (SAL), Schlage E (SCE), Schlage F (SCF), Weiser E (WRE), Yale 8 (YA8), Yale GA (YGA)  
**ALL CYLINDERS 6-PIN. CAN ALSO BE PINNED 5-PIN.**
- **IC Keyway Cylinder** Tell, Best A (BA), Best B (BB), Best C (BC), Best D (BD), Best E (BE), Best F (BF), Best G (BG), Best H (BH), Best J (BJ), Best K (BK), Best L (BL), Best M (BM), Best Q (BQ), Best U (BU), Black construction core (BLK), Less core (00), Not specified (XX)  
**AVAILABLE 6- OR 7-PIN**
- **Keying Options** Grand master key (GMK), construction master key (CMK), master key (MK), keyed different (KD), keyed alike (KA), interchangeable core uncombined (IC), 0-bitted (0BIT)



## LC2600 Series Function Chart

FUNCTION	FUNCTION NO.	OUTSIDE	INSIDE	FUNCTION DESCRIPTION	ANSI NO.
Entry/Office	81			<ul style="list-style-type: none"> <li>■ Latchbolt operated by lever from either side</li> <li>■ Outside lever locked by turn button from inside</li> <li>■ Unlocked by key from outside or rotating inside lever</li> </ul>	F82
Entry	82			<ul style="list-style-type: none"> <li>■ Latchbolt operated by lever from either side</li> <li>■ Outside lever locked by push button from inside</li> <li>■ Outside unlocked by key from outside or rotating inside lever</li> </ul>	F82
Classroom	84			<ul style="list-style-type: none"> <li>■ Latchbolt operated by lever from each side</li> <li>■ Outside lever locked or unlocked by key from outside</li> <li>■ Inside lever always operates latch</li> </ul>	F84
Storeroom	86			<ul style="list-style-type: none"> <li>■ Latch operated by rotating inside lever or key in outside lever</li> <li>■ Outside lever always fixed</li> </ul>	F86
Communicating	91			<ul style="list-style-type: none"> <li>■ Deadlocking latchbolt operated by either lever</li> <li>■ Key in outside lever; locks / unlocks outside lever</li> <li>■ Key in inside lever; locks / unlocks inside lever</li> <li>■ Each lever locks / unlocks independently</li> </ul>	F80
Privacy Bedroom/Bathroom	76			<ul style="list-style-type: none"> <li>■ Latchbolt operated by lever from either side</li> <li>■ Outside lever locked by push button on inside</li> <li>■ Unlocked by emergency release on outside, rotating inside lever, or closing door</li> </ul>	F76
Passage/Closet	75			<ul style="list-style-type: none"> <li>■ Latchbolt operated by lever from either side at all times</li> </ul>	F75
Single Dummy	01			<ul style="list-style-type: none"> <li>■ Pull lever one side</li> <li>■ No mechanical operation</li> </ul>	



## ACCESSORIES

### LC2600 Series Strikes

**CL100186** — ASA Strike, US32D

**CL100187** — ASA Strike, US3

**CL100415** — ASA Strike, US10B

For metal frames. (1-1/4" x 4-7/8" x 3/32").

**CL100191** — T Strike, US32D

**CL100189** — T Strike, US3

**CL100420** — T Strike, US10B

For wood frames. (1-1/8" x 2-3/4" x 3/32").

**CL100190** — F Strike, US32D

**CL100192** — F Strike, US3

**CL100581** — F Strike, US10B

For wood residential applications.  
(1-5/8" x 2-1/4" x 3/32").



### LC2600 Series Non-Restricted Keyway

**CL100219** —  
Cylinder, Schlage C, US26D

**CL100584** —  
Cylinder, Schlage C, US4

Standard brass 6-pin cylinder  
SCC keyway, optional keyways  
available (see price list).



### LC2600 Series Tell Restricted Keyway

**TELL CYLINDERS:**

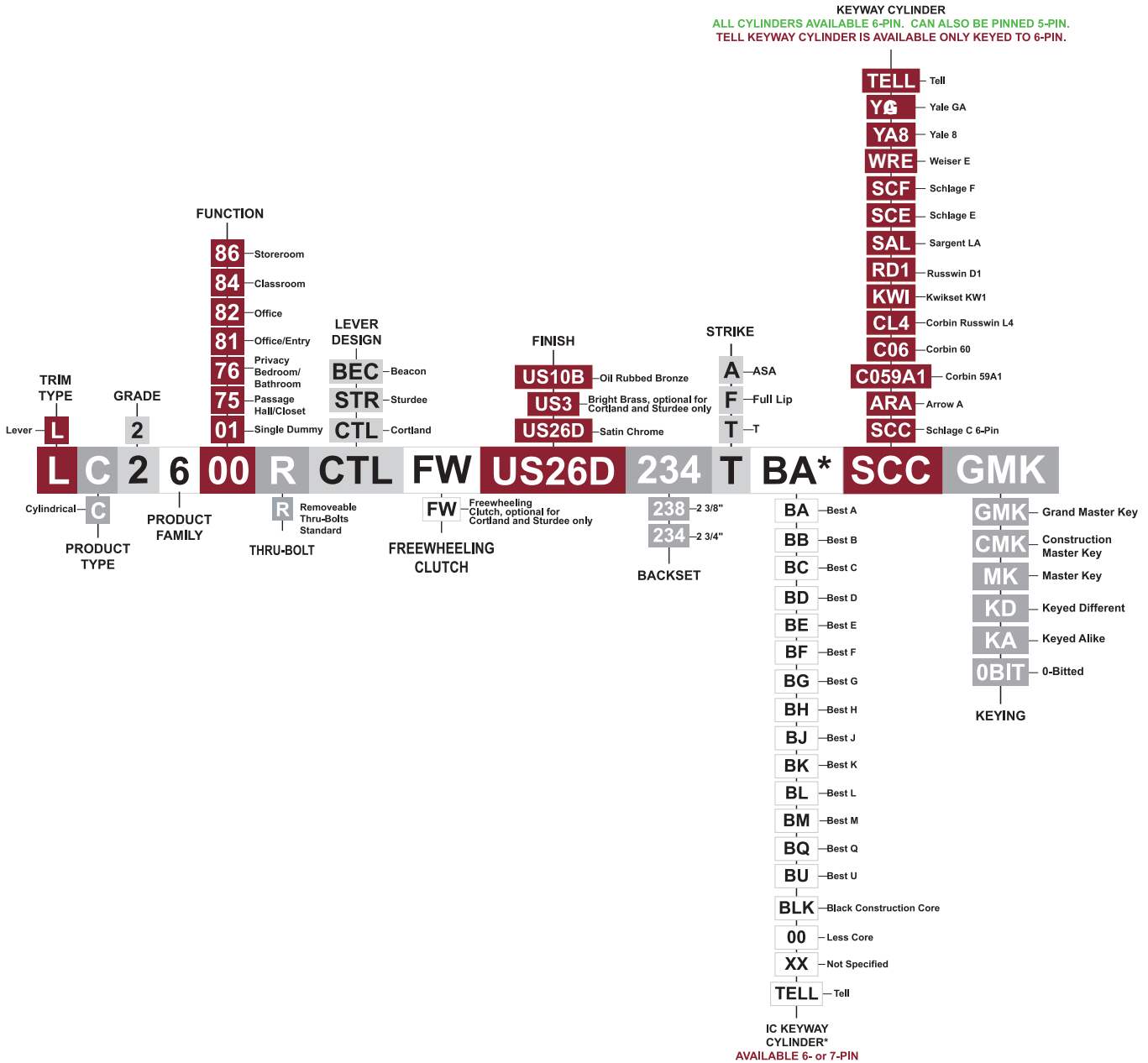
**CL101503** —  
6 pin Tell cylinder, US26D

**CL101504** —  
6 pin Tell cylinder, US4





# How to Order LC2600 Series







# LC2700 SERIES

## Standard-Duty Cylindrical Grade 2 Interconnected Leversets



### Standard Features

- **Performance** Complies with ANSI A156.2, Series 4000, Grade 2, (400,000 cycles), UL/ULC listed for 3 hour fire door ADA code compliant
- **Chassis** Cylindrical, steel - coated with zinc dichromate (corrosion resistance)
- **Lever** Non-handed
- **Latch** 1-1/8" x 2-1/4", square corner faceplate, 3/4" housing diameter, 1/2" throw (stainless steel)
- **Backset** 2-3/4"
- **Strike** 2-3/4" x 1-1/8" standard T-strike. Optional strikes available.
- **Standard Cylinder** Standard cylinder Schlage (SCC) - 6-pin solid brass, C keyway, keyed different (KD).
- **Keys** Two nickel silver per lock
- **Door Range** 1-3/8" to 1-3/4" door thickness
- **Door Preparation** 2-1/8" diameter for bore, 1" diameter for latch bore. Fits standard 161 door prep, 4" centers.
- **Warranty** 1 year limited

### Keying Options

- **Tell Cylinder** Restricted Tell keyway cylinder available, optional. Tell keyway cylinder is available **only** keyed to 6-pin.
- **Other Cylinder Options** Arrow A (ARA), Corbin 59A1 (C059A1), Corbin 60 (C06), Corbin Russwin L4 (CL4), Kwikset (KW1), Russwin D1 (RD1), Sargent LA (SAL), Schlage E (SCE), Schlage F (SCF), Weiser E (WRE), Yale 8 (YA8), Yale GA (YGA)  
**ALL CYLINDERS 6-PIN. CAN ALSO BE PINNED 5-PIN.**
- **Keying Options** Grand master key (GMK), construction master key (CMK), master key (MK), keyed different (KD), keyed alike (KA), 0-bitted (0BIT)



## ACCESSORIES

### LC2700 Series Non-Restricted Keyway

**CL100219** —  
Cylinder, Schlage C, US26D

**CL100584** —  
Cylinder, Schlage C, US4

Standard brass 6-pin cylinder  
SCC keyway, optional keyways  
available (see price list).



### LC2700 Series Tell Restricted Keyway

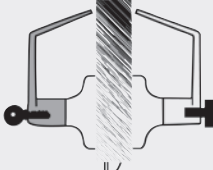
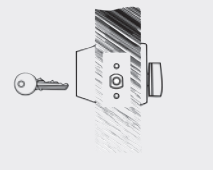
**TELL CYLINDERS:**

**CL101503** —  
6 pin Tell cylinder, US26D

**CL101504** —  
6 pin Tell cylinder, US4



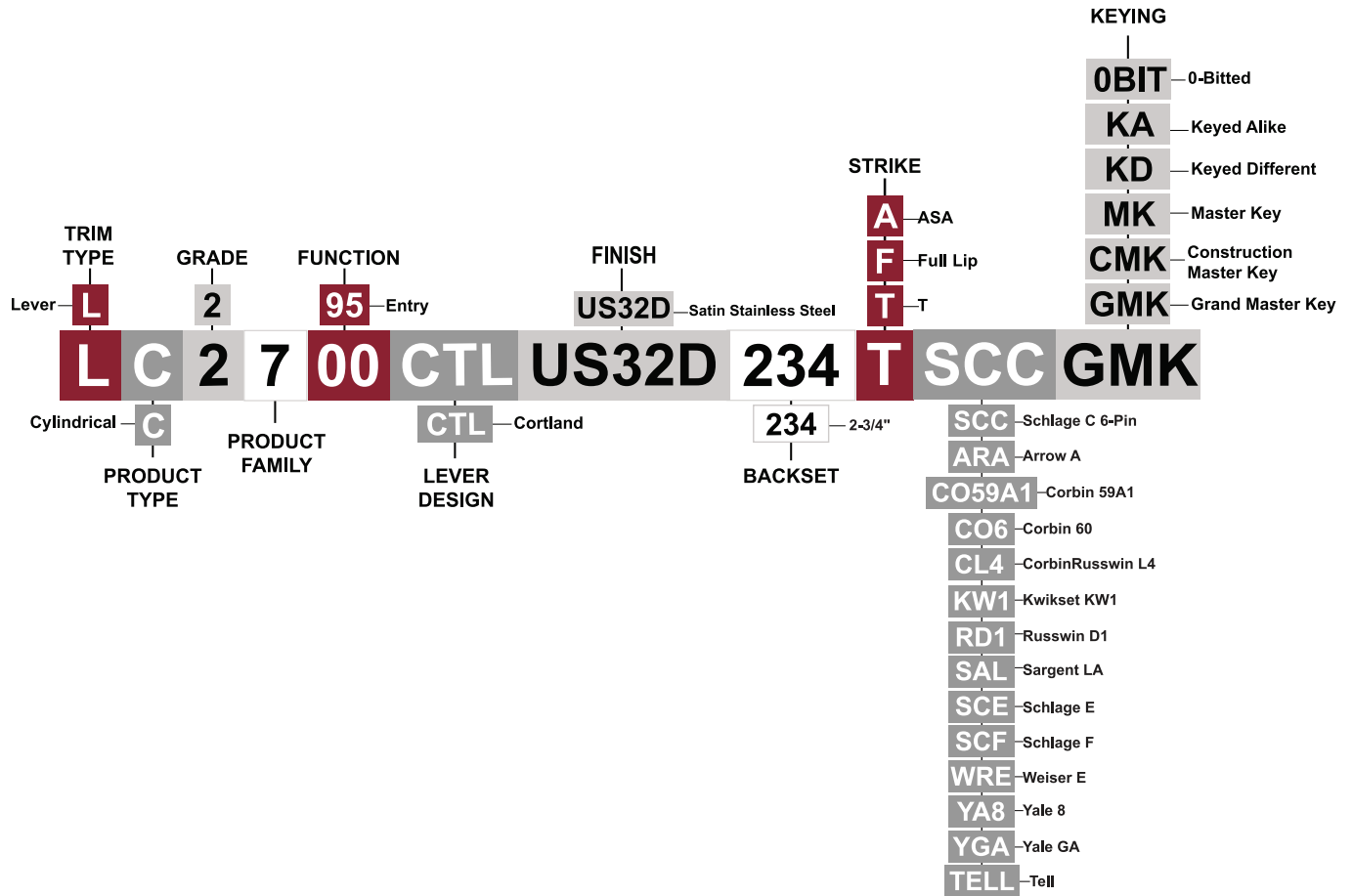
## LC2700 Series Function Chart

FUNCTION	FUNCTION NO.	OUTSIDE	INSIDE	FUNCTION DESCRIPTION	ANSI NO.
Entry	95			<ul style="list-style-type: none"> <li>■ Latchbolt operated by lever from either side</li> <li>■ Rotating turn from inside or key from outside extends deadbolt to locked position</li> <li>■ Both deadbolt and latch bolt are retracted to unlocked position by operating inside lever</li> </ul>	F95



## How to Order LC2700 Series

TELL PART NUMBER: **CL100850**



**KEYWAY CYLINDER**

ALL CYLINDERS AVAILABLE 6-PIN. CAN ALSO BE PINNED 5-PIN.  
TELL KEYWAY CYLINDER IS AVAILABLE ONLY KEYED TO 6-PIN.



Grade Three  
White Tab

Grade Three  
White Tab back



# KC3600 SERIES

## Grade 3 Cylindrical Knobsets



### Standard Features:

- **Function** Entrance
- **Performance** Complies with ANSI A156.2 series 4000, Grade 3
- **Chassis** Lock chassis steel, zinc dichromated for corrosion resistance.  
Cylindrical type construction, 200,000 cycles
- **Latchbolt** Latchbolt stainless steel with 1/2" throw deadlocking for lock functions.
- **Rose** 2-1/2" diameter
- **Backset** Latch backset adjustable 2-3/8" to 2-3/4"
- **Strike** **Strike Options:** **ASA Strike** (square corner 1-1/4" x 4-7/8" ANSI), **T Strike** (square corner 1-1/8" x 2-3/4"), and **F Strike** (full lip)
- **Door Range** Door thickness 1-3/8" to 1-3/4". Non-handed.
- **Door Preparation** Fits standard 160/161 door prep
- **Cylinder** Schlage (SCC) - 5-pin solid brass, C keyway, keyed different (KD)
- **Keys** Keys include two nickel silver per lock cylinder
- **Warranty** 1 year limited

### Optional Features:

- **Keying** Grand master key (GMK), construction master key (CMK), master key (MK), keyed different (KD), keyed alike (KA), 0-bitted (0BIT)



# LC3600 SERIES

## Grade 3 Cylindrical Leversets



### Standard Features:

- **Functions** Passage, privacy, dummy functions available lever x lever. **Entry function available ball x lever.** (Lever x lever entry available in commercial Grade 2.)
- **Performance** Complies with ANSI A156.2 series 4000, Grade 3. Passage and privacy functions meet ANSI A117.1 accessibility (ADA) code; entry function does not.
- **Chassis** Lock chassis steel, zinc dichromated for corrosion resistance. Cylindrical type construction, 200,000 cycles
- **Latchbolt** Latchbolt stainless steel with 1/2" throw, deadlocking for lock functions
- **Rose** 2-1/2" diameter
- **Backset** Latch backset adjustable 2-3/8" to 2-3/4"
- **Strike** **Strike Options: ASA Strike** (square corner 1-1/4" x 4-7/8" ANSI), **T Strike** (square corner 1-1/8" x 2-3/4"), and **F Strike** (full lip)
- **Door Range** Door thickness 1-3/8" to 1-3/4". Non-handed.
- **Door Preparation** Fits standard 160/161 door prep.
- **Keys** Keys include two nickel silver per lock cylinder
- **Cylinder** Schlage (SCC) - 5-pin solid brass, C keyway, keyed different (KD)
- **Warranty** 1 year limited

### Optional Features:

- **Keying** Grand master key (GMK), construction master key (CMK), master key (MK), keyed different (KD), keyed alike (KA), 0-bitted (0BIT)





## KC3600 Series Function Chart

FUNCTION	FUNCTION NO.	OUTSIDE	INSIDE	FUNCTION DESCRIPTION	ANSI NO.
Entrance	81			<ul style="list-style-type: none"> <li>■ Latchbolt operated by knob from either side</li> <li>■ Outside knob locked by push button from inside</li> <li>■ Unlocked by key from outside or rotating inside knob</li> <li>■ When outside knob locked by push and turn button from inside, key from outside or rotating inside knob retracts latch, does not unlock outside knob</li> </ul>	F81

## LC3600 Series Function Chart

FUNCTION	FUNCTION NO.	OUTSIDE	INSIDE	FUNCTION DESCRIPTION	ANSI NO.
Entrance, Lever X Knob	81			<ul style="list-style-type: none"> <li>■ Latchbolt operated by outside knob/inside lever from either side</li> <li>■ Outside knob locked by push button from inside lever</li> <li>■ Outside unlocked by key from outside knob or rotating inside lever</li> </ul>	F82
Passage Hall/Closet	75			<ul style="list-style-type: none"> <li>■ Latchbolt operated by lever from either side at all times</li> </ul>	F75
Privacy Bedroom/Bathroom	76			<ul style="list-style-type: none"> <li>■ Latchbolt operated by lever from either side</li> <li>■ Outside lever locked by push button on inside</li> <li>■ Unlocked by emergency release on outside, rotating inside lever, or closing door</li> </ul>	F76



## ACCESSORIES

### KC3600 / LC3600 Series Latches

**RL100052** —  
2-3/4" / 2-3/8" UNG ADJ DI latch

**RL100053** —  
2-3/4" / 2-3/8" UNG ADJ Kickoff  
(for Privacy) DI

**RL100051** —  
2-3/4" / 2-3/8" UNG ADJ DI latch  
Drive-in latch, used where face plate not required. Backset adjustable 2-3/8" to 2-3/4", 1/2" throw, 1" diameter body.



**RL100032**—  
2-3/4" / 2-3/8" Unguarded, US32D

**RL100255**—  
2-3/4" / 2-3/8" Unguarded, US3  
UL listed latch bolt with non-deadlatching function. 1/2" throw. Backset adjustable 2-3/8" to 2-3/4".



**RL100258**—  
2-3/4" / 2-3/8" Guarded, US32D

**RL100135**—  
2-3/4" / 2-3/8" Guarded, US3  
UL listed latchbolt with deadlatching function. 1/2" throw. Backset adjustable 2-3/8" and 2-3/4".



### KC3600 / LC3600 Series Strikes

**CL100186** — ASA Strike, US32D

**CL100187** — ASA Strike, US3

**CL100415** — ASA Strike, US10B  
For metal frames. (1-1/4" x 4-7/8" x 3/32").



**CL100191** — T Strike, US32D

**CL100189** — T Strike, US3

**CL100420** — T Strike, US10B  
For wood frames. (1-1/8" x 2-3/4" x 3/32").



**CL100190** — F Strike, US32D

**CL100192** — F Strike, US3

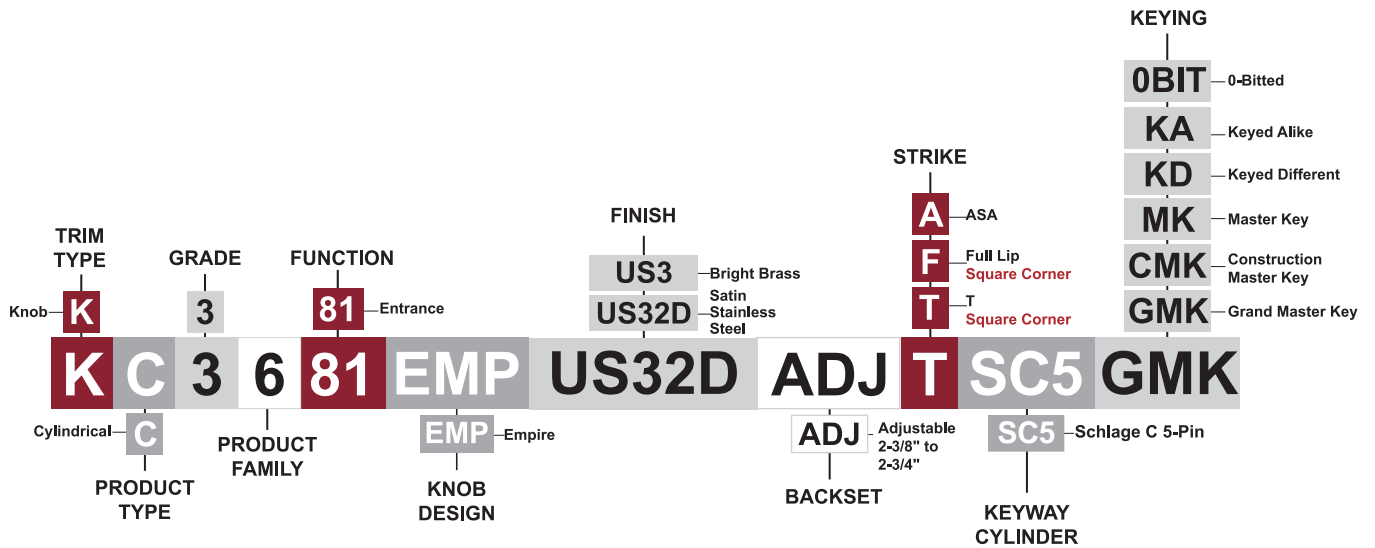
**CL100581** — F Strike, US10B  
For wood residential applications. (1-5/8" x 2-1/4" x 3/32").



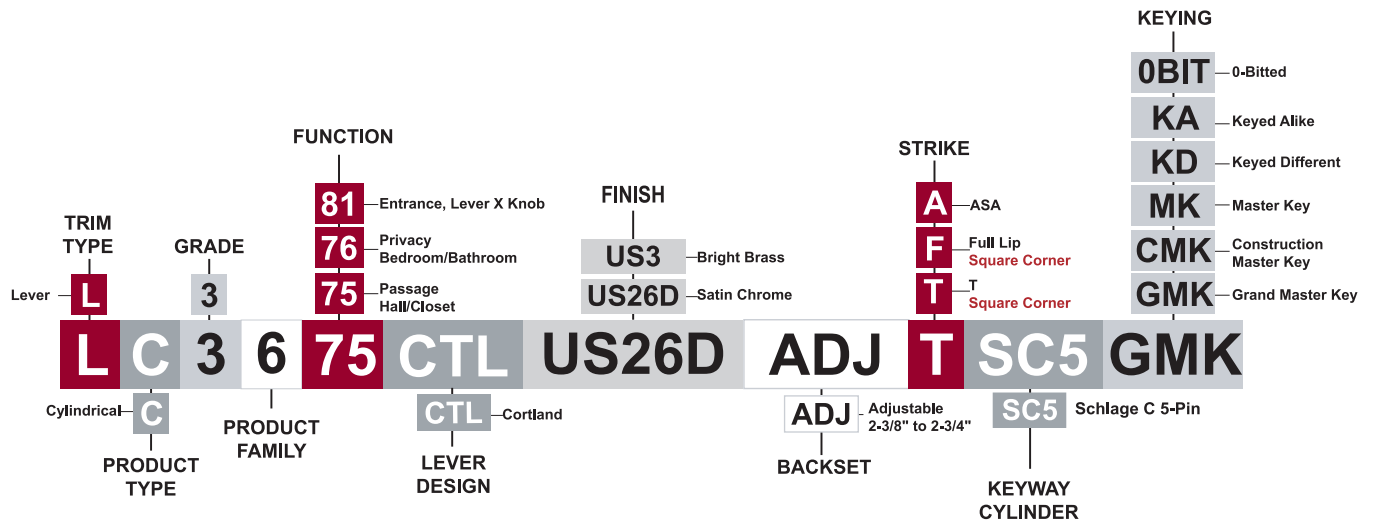
**FINISHES:** US32D=Satin Stainless Steel, US3=Bright Brass, US26D=Satin Chrome, US4=Satin Brass, US10B=Oil Rubbed Bronze  
**NOTES:** ADJ=Adjustable, UNG=Unguarded, DI=Drive-In Latch, KO=Kickoff



## How To Order KC3600 Series



## How To Order LC3600 Series





Deadbolts, Cylinders and Storefront  
White Tab


Deadbolts, Cylinders and Storefront  
White Tab back



COMMERCIAL DOORS & HARDWARE

# table of contents

## DEADBOLTS, STOREFRONT MORTISE LOCKS, CYLINDERS, KEYING & CAMS

	<b>PAGE</b>
	<b>DEADBOLTS</b>
DB1000 Series	41
DB2000/DB2400 Series	43
Indicator Deadbolt	45
	<b>STOREFRONT MORTISE LOCKS</b>
Storefront Deadbolt & Hook Bolt Mortise Lock	46
Storefront Deadlatch Mortise Lock	48
Storefront Cylinders, Turns & Levers	50
	Storefront Paddle Latches, Pull Handles & Combo Push/Pull
	52
	<b>CYLINDERS</b>
Mortise & Rim Cylinders	54
	<b>Keying / Tell Restricted Keyway Cylinder</b>
	55
	Standard & IC Core Cams
	56







# DB1000 SERIES

## Heavy-Duty Tubular Grade 1 Deadbolts



### Standard Features

- **Performance** Complies with ANSI A156.5, Grade 1, 250,000 cycles
- **Chassis** Tubular, steel
- **Deadbolt** 1" x 2-1/4", square corner faceplate, 1" housing diameter (stainless steel), 1" throw, roller bar (added security for hacksaw or reciprocating blade cutting)
- **Backset** 2-3/4" (standard)
- **Strike** 1-1/8" x 2-3/4", square corner faceplate
- **Door Range** 1-3/8" to 2"
- **Door Preparation** 2-1/8" diameter for bore, 1" diameter for bolt. Fits standard 161 door prep.
- **Cylinder** Schlage (SCC) - 6-pin solid brass, C keyway, keyed different (KD)
- **Other Cylinder Options** Arrow A (ARA), Corbin 59A1 (C059A1), Corbin 60 (C06), Corbin Russwin L4 (CL4), Kwikset (KW1), Russwin D1 (RD1), Sargent LA (SAL), Schlage E (SCE), Schlage F (SCF), Weiser E (WRE), Yale 8 (YA8), Yale GA (YGA)
- **Keys** Two nickel silver per lock cylinder
- **IC Keyway Cylinder** Best A (BA), Best B (BB), Best C (BC), Best D (BD), Best E (BE), Best F (BF), Best G (BG), Best H (BH), Best J (BJ), Best K (BK), Best L (BL), Best M (BM), Best Q (BQ), Best U (BU), Black construction core (BLK), Less core (00), Not specified (XX)  
**AVAILABLE 6- OR 7-PIN**
- **Warranty** 5 year limited

### Optional Features

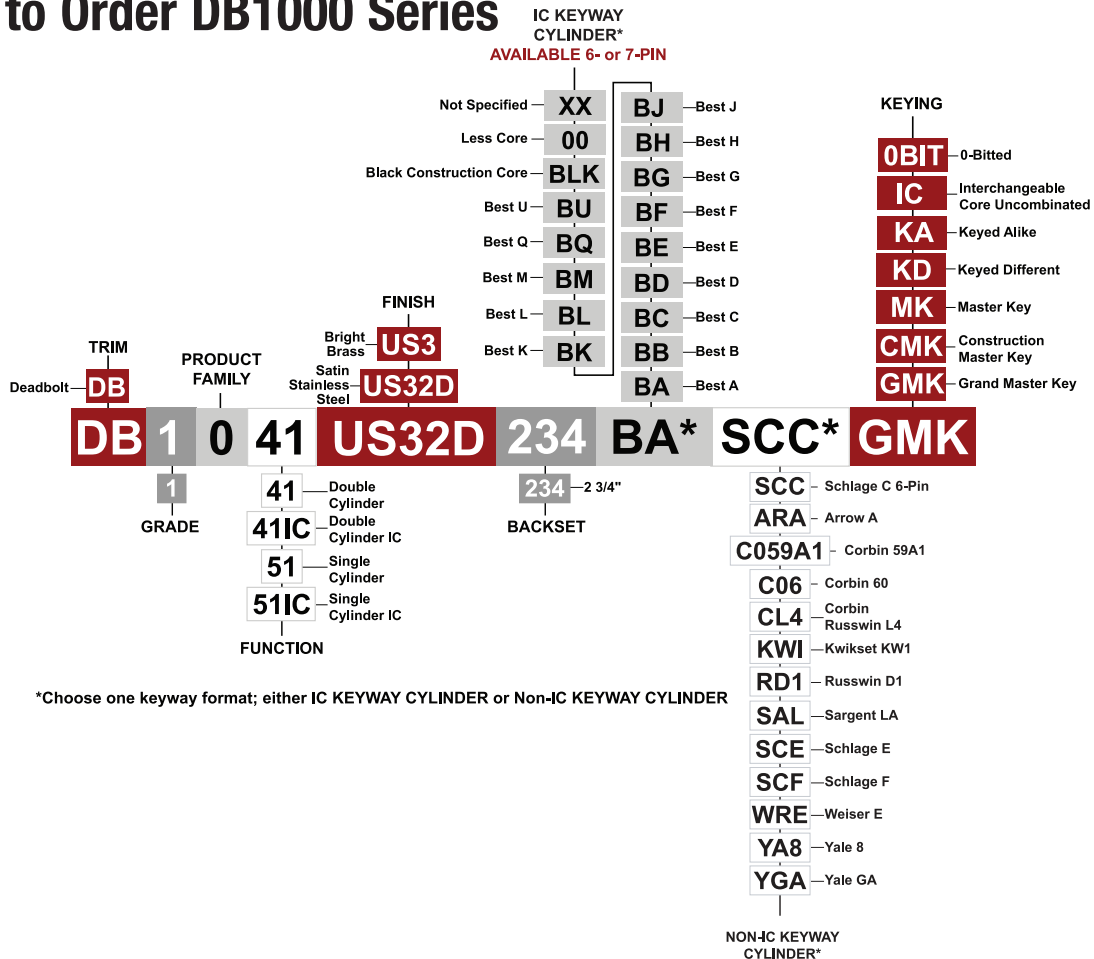
- **Cylinder** Other manufacturers including small format interchangeable cores
- **Keying** Grand master key (GMK), construction master key (CMK), master key (MK), keyed different (KD), keyed alike (KA), interchangeable core uncombined (IC), 0-bitted (0BIT)



## DB1000 Series Function Chart

FUNCTION	FUNCTION NO.	OUTSIDE	INSIDE	FUNCTION DESCRIPTION	ANSI NO.
Double Cylinder	41			■ Deadbolt operated by key outside, key inside	E0141
Single Cylinder	51			■ Deadbolt operated by key outside, thumb turn inside	E0151

## How to Order DB1000 Series





# DB2000/DB2400 SERIES

## Grade 2 Deadbolts



DB2000 SERIES



DB2400 SERIES HEAVY-DUTY

### Standard Features

- **Performance** Complies with ANSI A156.5, Grade 2, 150,000 cycles
- **Deadbolt** 1" x 2-1/4", square corner faceplate, 1" housing diameter (stainless steel), 1" throw, roller bar (added security for hacksaw or reciprocating blade cutting)
- **Backset** Adjustable 2-3/8" to 2-3/4". 2-1/4" x 1" faceplate standard. Drive-In optional.
- **Strike** 1-1/8" x 2-3/4", square corner faceplate
- **Door Range** 1-3/8" - 1-3/4"
- **Door Preparation** 2-1/8" diameter for bore, 1" diameter for bolt. Fits standard 161 door prep.
- **Cylinder** Schlage (SCC) - 6-pin solid brass, C keyway, keyed different (KD)
- **Other Cylinder Options** Arrow A (ARA), Corbin 59A1 (C059A1), Corbin 60 (C06), Corbin Russwin L4 (CL4), Kwikset (KW1), Russwin D1 (RD1), Sargent LA (SAL), Schlage E (SCE), Schlage F (SCF), Weiser E (WRE), Yale 8 (YA8), Yale GA (YGA)
- **Keys** Two nickel silver per lock cylinder
- **IC Keyway Cylinder** Best A (BA), Best B (BB), Best C (BC), Best D (BD), Best E (BE), Best F (BF), Best G (BG), Best H (BH), Best J (BJ), Best K (BK), Best L (BL), Best M (BM), Best Q (BQ), Best U (BU), Black construction core (BLK), Less core (00), Not specified (XX)  
**AVAILABLE 6- OR 7-PIN**
- **Warranty** 1 year limited

### Optional Features

- **Cylinder** Other manufacturers including small format interchangeable cores
- **Keying** Grand master key (GMK), construction master key (CMK), master key (MK), keyed different (KD), keyed alike (KA), interchangeable core uncombined (IC), 0-bitted (0BIT)

# DB2000 Series Function Chart

FUNCTION	FUNCTION NO.	OUTSIDE	INSIDE	FUNCTION DESCRIPTION	ANSI NO.
Double Cylinder	41			Deadbolt operated by key outside, key inside	E0142
Single Cylinder	51			Deadbolt operated by key outside, thumbturn inside	E0152
Single Cylinder Heavy-Duty	51HD			Deadbolt operated by key outside, thumbturn inside	E0152
Communicating	25			Deadbolt operated by inside thumbturn only	E0162
Communicating with Backplate	K25			Deadbolt operated by inside thumbturn only with backplate	E0162

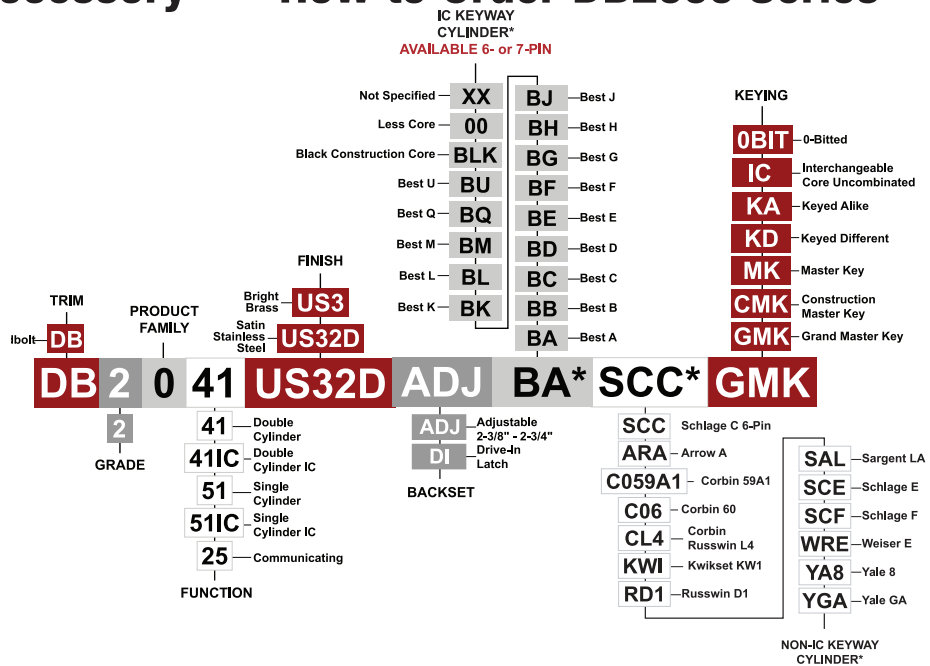
## DB2000 Series Accessory

**CL100177**

Adjustable drive-in latch.



## How to Order DB2000 Series



\*Choose one keyway format; either IC KEYWAY CYLINDER or Non-IC KEYWAY CYLINDER



# INDICATOR DEADBOLT



## Standard Features

- **Performance** Complies with ANSI A156.5, Grade 2, 150,000 cycles, ULc listed, 3 hour fire rating. Complies with ADA.
- **Chassis** Tubular, steel
- **Deadbolt** 1" x 2-1/4" square corner faceplate, 1" throw (solid brass with hardened steel rod insert), standard thumbturn
- **Backset** Adjustable, 2-3/4" and 2-3/8"
- **Strike** 1-1/8" x 2-3/4" square corner standard
- **Door Range** 1-3/8" to 2"
- **Door Preparation** 2-1/8" diameter for bore, 1" diameter for bolt. Fits standard 161 door prep.
- **Warranty** 1 year limited



# Storefront Deadbolt & Hook Bolt Mortise Lock



**Deadbolt Mortise Lockset**  
**1-1/8" AL LH\***

**AD100205**

**NOTE:** Cylinders sold separately

**Deadbolt Mortise Lockset**  
**1-1/8" Duro LH**

**AD100207**

**NOTE:** Cylinders sold separately

**Hook Bolt Mortise Lockset**  
**1-1/8" AL LH**

**AD100213**

**NOTE:** Cylinders sold separately

**Hook Bolt Mortise Lockset**  
**1-1/8" Duro LH**

**AD100215**

**NOTE:** Cylinders sold separately

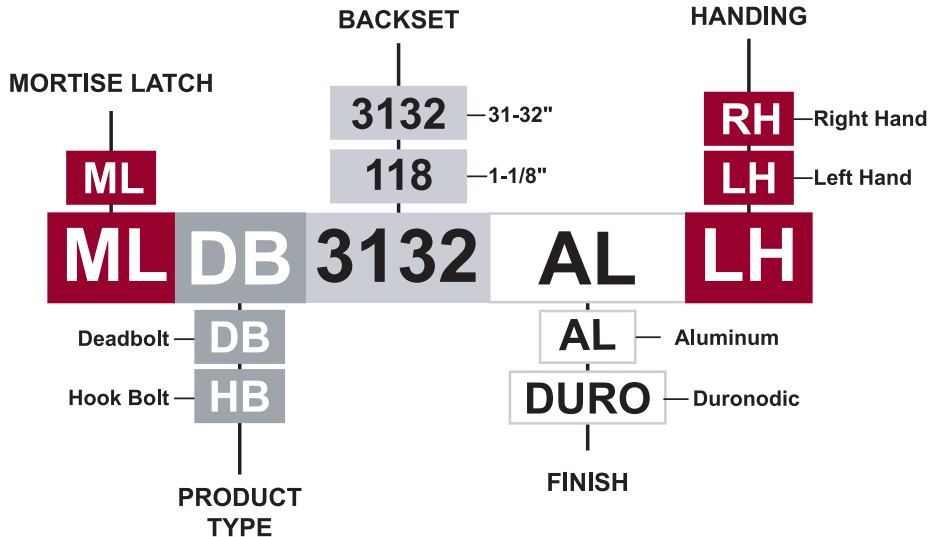
## Standard Features

- **Case:** 1" x 6" steel case and mechanism (case depth varies with "Backset". All parts are zinc plated, for protection against corrosion).
- **Security:** Huge five ply laminated steel bolt with concealed hardened steel pin provides maximum security for any single leaf door, or a typical installation where gap between door and jamb is greater than it should be.
- **Backsets:** 1-1/8" backset and 31/32" backset available
- **Key:** 360° turn of key (or thumbturn) actuates the simple pivoting mechanism, which in turn throws or retracts the counter-balanced steel bolt. Key can be removed only when bolt is in a positively locked or unlocked position.
- **Face Plates:** 1" X 6-7/8" aluminum or duronodic beveled
- **Cylinders:** Both mortise locks accept any standard 1-5/32" mortise cylinder or thumbturn, with proper cylinder cam, from either/or both sides.
- **Finishes:** AL / Aluminum, Duro / Duronodic

\*NOTES: AL = Aluminum, Duro = Duronodic, LH = Left Hand, RH = Right Hand



## How to Order Deadbolt, Hook Bolt Mortise Locks



### Tell Part Numbers

1 - 1/8"	<b>MLDB118ALLH = Mortise Lockset Deadbolt</b> 1-1/8" AL LH / AD100205	<b>MLHB118ALLH = Mortise Lockset Hook Bolt</b> 1-1/8" AL LH / AD100213	1 - 1/8"
	<b>MLDB118ALRH = Mortise Lockset Deadbolt</b> 1-1/8" AL RH / AD100206	<b>MLHB118ALRH = Mortise Lockset Hook Bolt</b> 1-1/8" AL RH / AD100214	
	<b>MLDB118DUROLH = Mortise Lockset Deadbolt</b> 1-1/8" Duro LH / AD100207	<b>MLHB118DUROLH = Mortise Lockset Hook Bolt</b> 1-1/8" Duro LH / AD100215	
	<b>MLDB118DURORH = Mortise Lockset Deadbolt</b> 1-1/8" Duro RH / AD100208	<b>MLHB118DURORH = Mortise Lockset Hook Bolt</b> 1-1/8" Duro RH / AD100216	
31 - 32"	<b>MLDB3132ALLH = Mortise Lockset Deadbolt</b> 31-32" AL LH / AD100209	<b>MLHB3132ALLH = Mortise Lockset Hook Bolt</b> 31-32" AL LH / AD100217	31 - 32"
	<b>MLDB3132ALRH = Mortise Lockset Deadbolt</b> 31-32" AL RH / AD100210	<b>MLHB3132ALRH = Mortise Lockset Hook Bolt</b> 31-32" AL RH / AD100218	
	<b>MLDB3132DUROLH = Mortise Lockset Deadbolt</b> 31-32" Duro LH / AD100211	<b>MLHB3132DUROLH = Mortise Lockset Hook Bolt</b> 31-32" Duro LH / AD100219	
	<b>MLDB3132DURORH = Mortise Lockset Deadbolt</b> 31-32" Duro RH / AD100212	<b>MLHB3132DURORH = Mortise Lockset Hook Bolt</b> 31-32" Duro RH / AD100220	

NOTES: AL = Aluminum, Duro = Duronodic, LH = Left Hand, RH = Right Hand



# Storefront Deadlatch Mortise Lock



**Deadlatch Lockset 1-1/8" AL LH\***

**AD100221**

**NOTE:** Levers & cylinders sold separately



**Deadlatch Lockset 1-1/8" Duro LH**

**AD100223**

**NOTE:** Levers & cylinders sold separately

## Standard Features

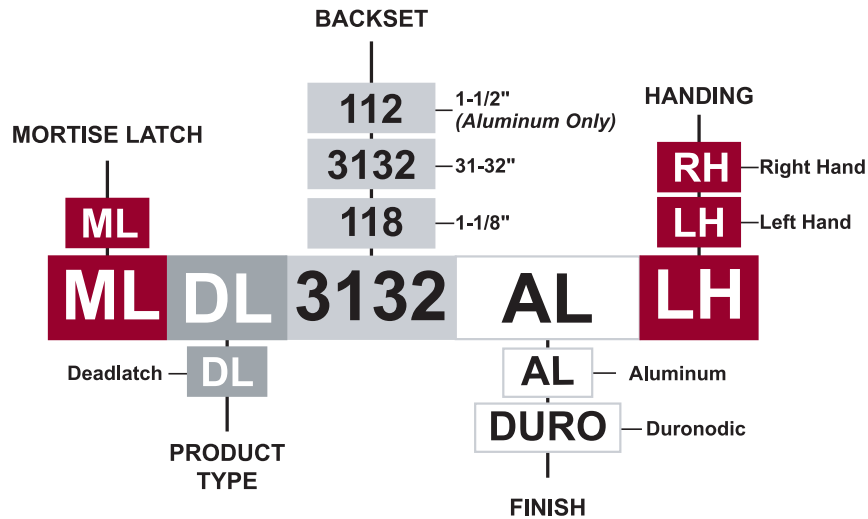
- **Case:** 1" x 6" steel, zinc plated
- **Security:** When in locked position, the auxiliary bolt is engaged by pushing against the strike creating additional security to the latchbolt.
- **Backsets:** 31/32", 1-1/8", and 1-1/2" available. (1-1/2" available for Aluminum only).
- **Key:** A reverse turn of the key (while bolt is held retracted) retains the latchbolt, to allow two way traffic for buildings that require free entrance at times and exit only at other times.
- **Face Plates:** 1" X 6-7/8" aluminum or duronodic beveled
- **Cylinders:** Both mortise locks accept any standard 1-5/32" mortise cylinder or thumbturn, with proper cylinder cam, from either/or both sides.
- **Finishes:** AL / Aluminum, Duro / Duronodic
- **Usability:** Provides flexibility of traffic control during & after business hours. It incorporates a key-controlled bolt holdback feature.
- **Latchbolt:** 5/8" x 1" x 1/2" throw, non-handed. Easily reversed with a screwdriver. Zinc alloy with delrin plastic insert to ensure quiet strike latching.
- **Auxiliary Bolt:** Zinc diecast. Deadlocks latchbolt, and prevents jimmying opening the latchbolt with knife-like objects or tools.
- **Strike Plate:** 2-5/8" x 1-7/8" stainless steel
- **Lever Handle:** Zinc diecast

\*NOTES: AL = Aluminum, Duro = Duronodic, LH = Left Hand, RH = Right Hand





## How to Order **Deadlatch** Mortise Locks



### Tell Part Numbers

1-1/8"	<b>MLDL118ALLH = Mortise Lock Deadlatch Lockset 1-1/8" AL LH / AD100221</b>	<b>MLDL112ALLH = Mortise Lock Deadlatch Lockset 1-1/2" AL LH / AD100272</b>	1-1/2"
	<b>MLDL118ALLRH = Mortise Lock Deadlatch Lockset 1-1/8" AL RH / AD100222</b>	<b>MLDL112ALRH = Mortise Lock Deadlatch Lockset 1-1/2" AL RH / AD100273</b>	
	<b>MLDL118DUROLH = Mortise Lock Deadlatch Lockset 1-1/8" Duro LH / AD100223</b>		
	<b>MLDL118DURORH = Mortise Lock Deadlatch Lockset 1-1/8" Duro RH / AD100224</b>		
31-32"	<b>MLDL3132ALLH = Mortise Lock Deadlatch Lockset 31/32" AL LH / AD100225</b>		
	<b>MLDL3132ALRH = Mortise Lock Deadlatch Lockset 31/32" AL RH / AD100226</b>		
	<b>MLDL3132DUROLH = Mortise Lock Deadlatch Lockset 31/32" Duro LH / AD100227</b>		
	<b>MLDL3132DURORH = Mortise Lock Deadlatch Lockset 31/32" Duro RH / AD100228</b>		

NOTES: AL = Aluminum, Duro = Duronodic, LH = Left Hand, RH = Right Hand



# Storefront Cylinders, Turns & Levers



**Deadlatch Lever Handle with  
Cam Plug AL RH\***

AD100275



**Deadlatch Lever Handle with  
Cam Plug Duro RH\***

AD100277



**Thumbturn cylinder  
with trim rings.  
AL diecast.\***

AD100278



**Thumbturn cylinder  
with trim rings.  
Duro diecast.\***

AD100279



**Mortise lock (cylinder)  
1" K2 Kwikset  
Cylinder AL\***

AD100282



**Mortise lock (cylinder)  
1" K2 Kwikset  
Cylinder Duro\***

AD100283

NOTES: AL = Aluminum, Duro = Durododic, LH = Left Hand, RH = Right Hand



## How to Order Cylinders, Thumbturns & Levers

TYPE	FINISH	HANDING	BODY	KEYWAY	PART NO.	QTY. / PACK
LEVER HANDLE	AL	LH	—	—	AD100274	1
	AL	RH	—	—	AD100275	1
	Duro	LH	—	—	AD100276	1
	Duro	RH	—	—	AD100277	1
THUMBTURN CYLINDER w/ TRIM RING	AL	—	Diecast	—	AD100278	1
	Duro	—	Diecast	—	AD100279	1
	AL	—	Brass	—	AD100280	1
	Duro	—	Brass	—	AD100281	1
MORTISE LOCK CYLINDER w/ TRIM RING	AL	—	Diecast	Kwikset	AD100282	2 / Keyed Alike
	Duro	—	Diecast	Kwikset	AD100283	2 / Keyed Alike
	AL	—	Diecast	Kwikset	AD100284	50 / Keyed Alike
	Duro	—	Diecast	Kwikset	AD100285	50 / Keyed Alike
	AL	—	Diecast	Schlage	AD100286	2 / Keyed Alike
	Duro	—	Diecast	Schlage	AD100287	2 / Keyed Alike

NOTE: AL = Aluminum, Duro = Durodonic, LH = Left Hand, RH = Right Hand

## Tell Part Numbers

### **Deadlatch Lever Handle with Cam Plug AL RH / AD100275**

Deadlatch Lever Handle with Cam Plug AL LH / AD100274

### **Deadlatch Lever Handle with Cam Plug Duro RH / AD100277**

Deadlatch Lever Handle with Cam Plug Duro LH / AD100276

### **Thumbturn Cylinder with trim rings. AL diecast / AD100278**

Thumbturn Cylinder with trim rings. Duro diecast / AD100279

Thumbturn Cylinder with trim rings. Solid Brass diecast / AD100280

Thumbturn Cylinder with trim rings. Duro Solid Brass diecast / AD100281

### **Mortise Lock Cylinder 1" K2 Kwikset Cylinder AL / AD100282**

Mortise Lock Cylinder 1" K2 Kwikset Cylinder Duro / AD100283

Mortise Lock Cylinder 1" K50 Kwikset Cylinder AL / AD100284

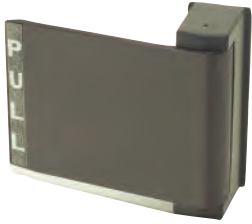
Mortise Lock Cylinder 1" K50 Kwikset Cylinder Duro / AD100285

Mortise Lock Cylinder 1" K2 Schlage Cylinder AL / AD100286

Mortise Lock Cylinder 1" K2 Schlage Cylinder Duro / AD100287

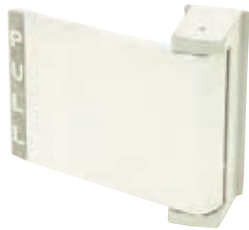
NOTES: AL = Aluminum, Duro = Durodonic, LH = Left Hand, RH = Right Hand, K2 = 2 Kwikset Cylinders per pack; K50 = 2 Kwikset Cylinders per pack

## Paddle Latches



**Paddle latch, Pull reversible. LH, Duro diecast.\***

AD100360



**Paddle latch, Pull reversible. RH, AL diecast.\***

AD100361



**Paddle latch, Push reversible. LH, Duro diecast.\***

AD100362



**Paddle latch, Push reversible. RH, AL diecast.\***

AD100363

### Standard Features

- **Escutcheon:** The escutcheon is 4" (101.6) high by 1-11/32" (34.1) wide.
- **Size:** Total width of paddle and housing is 5-7/16" (137.9).
- **Projection:** Neutral projection of the paddle from the door face is 2-5/16" (58.6).
- **Application:** Designed for use with the lock/latch. A latched entrance can be opened by pushing or pulling the paddle in the direction of the door swing.

## Pull Handle & Combo Push/Pull Handle



**9" Exterior pull handle. AL, diecast\***

AD100364



**9" Exterior pull handle. Bronze, diecast\***

AD100365



**Combo Push / Pull handle. AL, diecast\***

AD100366



**Combo Push / Pull handle. Bronze, diecast\***

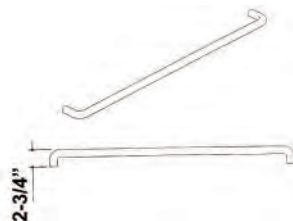
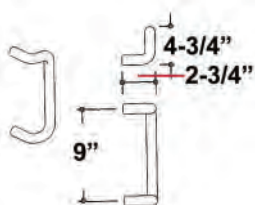
AD100367

### Standard Features

- **Size:** 1" (25.4) round bent bar
- **Dimension:** 90 degree offset pull is available with a 9" centerline dimension

\* AL = Aluminum, Duro = Duronodic, LH = Left Hand, RH = Right Hand

### Dimensions





## How to Order Paddle Latches, Pull Handles & Combo Push/Pull Handles

TYPE	FINISH	HANDING	BODY	PART NO.	QTY. / PACK
<b>PADDLE LATCH</b>	AL	LH	Diecast	<b>AD100360</b>	1
	AL	RH	Diecast	<b>AD100361</b>	1
	Duro	LH	Diecast	<b>AD100362</b>	1
	Duro	RH	Diecast	<b>AD100363</b>	1
<b>EXTERIOR PULL HANDLE</b>	AL	—	Diecast	<b>AD100364</b>	1
	Duro	—	Diecast	<b>AD100365</b>	1
<b>COMBO PUSH / PULL HANDLE</b>	AL	—	Diecast	<b>AD100366</b>	2
	Duro	—	Diecast	<b>AD100367</b>	2

NOTE: AL = Aluminum, Duro = Duronodic, LH = Left Hand, RH = Right Hand

## Tell Part Numbers

### Paddle Latch, Pull reversible

AL Diecast LH

**AD100360**

Paddle Latch, Pull reversible

AL Diecast RH

**AD100361**

Paddle Latch, Pull reversible

DURO Diecast LH

**AD100362**

Paddle Latch, Pull reversible DURO

Diecast RH

**AD100363**

### 9" Exterior Pull Handle

AL Diecast

**AD100360**

9" Exterior Pull Handle

Bronze Diecast

**AD100365**

### Combo Push / Pull Handle

AL Diecast

**AD100366**

Combo Push / Pull Handle

Bronze Diecast

**AD100367**

NOTES: AL = Aluminum, Duro = Duronodic, LH = Left Hand, RH = Right Hand



# MORTISE & RIM CYLINDERS



## Mortise Cylinder

- Machined from solid brass or bronze bar stock. Six pin SCC cylinder standard. Contact customer service for competitive keyway availability. Available in 15/16", 1-1/8" and 1-1/4" lengths. Contact Customer service for other lengths. See price list for optional cams available.



## IC Mortise Cylinder

- Machined from solid brass or bronze bar stock. Security set screw provided that holds cylinder securely in the housing. Compatible with Best small format 6 or 7 pin cores. Available in 1-1/8" and 1-1/4" lengths. Contact Customer service for other lengths. See price list for optional cams available.



## Dummy Mortise Cylinder

- Machined from solid brass or bronze bar stock. Available only in 15/16" length.



## Thumbpiece Mortise Cylinder

- Machined from solid brass or bronze bar stock. Available in 15/16", 1-1/8" and 1-1/4" lengths. See price list for optional cams available.



## Rim Cylinder

- Machined from solid brass or bronze bar stock. Six pin SCC cylinder standard. Contact customer service for competitive keyway availability.



## IC Rim Cylinder

- Machined from solid brass or bronze bar stock. Compatible with Best small format 6 or 7 pin cores.



# Keying

## TELL Restricted Keyway Cylinder

Restricted keyway cylinder can key both the cylinder and interchangeable core in one lock. The cylinders and IC cores are interchangeable.

Tell keyway cylinder is available **only** keyed to 6-pin.

Tell interchangeable core (IC) cylinder can be keyed to 6-pin or 7-pin interchangeable core.

## Other Cylinders\*

Schlage (SCC), Schlage E (SCE), Arrow A (ARA), Corbin 60 (C06), Corbin 59A1 (C059A1), Corbin Russwin L4 (CL4), Russwin D1 (RD1), Sargent LA (SAL), Schlage F (SCF), Weiser E (WRE), Yale 8 (YA8), Yale GA (YGA)

\* All cylinders 6-pin, and can also be pinned 5-pin

## IC Keyway Cylinder\*

Tell, Best A (BA), Best B (BB), Best C (BC), Best D (BD), Best E (BE), Best F (BF), Best G (BG), Best H (BH), Best J (BJ), Best K (BK), Best L (BL), Best M (BM), Best Q (BQ), Best U (BU), Black construction core (BLK), Less core (00), Not specified (XX)

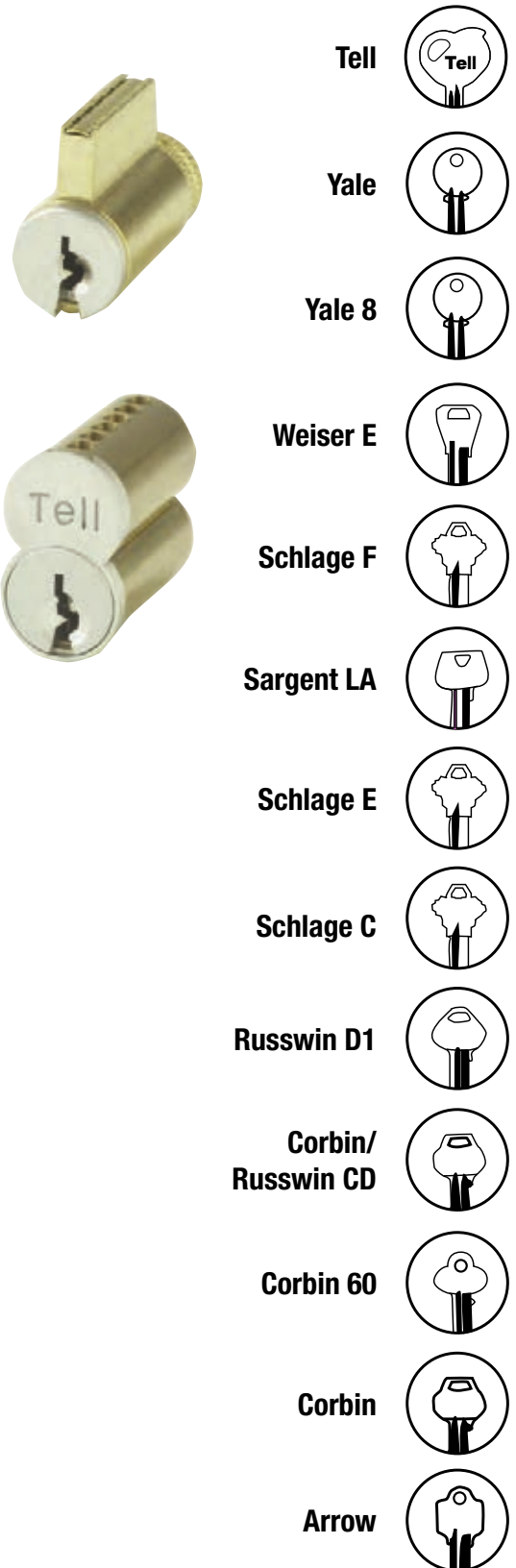
\* Available 6-pin or 7-pin

## Standard Keying

- 0 Bitted with (2) blank keys
- Keyed alike, 4 or less cylinders (KA4)
- Keyed alike, 5 or more cylinders (KA)
- Master keyed (MK, GMK)
- Construction keying, lost ball method, (add to other keying charges)
- Keyed to existing numbers
- Extra cut keys
- Key marking AA1, AA2, etc. (per key)
- Key marking other than keyset (per key)

## Interchangeable Core Keying

- Uncombined cores (no springs & pins)
- Combined cores includes masterkeying
- Best "A" keyway construction cores
- Plastic dummy cores
- Extra cut keys
- Key marking AA1, AA2, etc. (per key)
- Key marking other than keyset (per key)



## Standard Cams



**YALE STANDARD CAM**  
CL100598



**ADAMS RITE CAM**  
CL100469

## IC Core Cams



**YALE STANDARD IC CORE CAM**  
CL100276



**ADAMS RITE IC CORE CAM**  
CL100277



**CLOVER IC CORE CAM**  
CL100278



**SCHLAGE IC CORE CAM**  
CL100280



**SARGENT IC CORE CAM**  
CL100279

*NOTE: Above IC Cams are removeable*



Door Closers  
Red Tab

Door Closers Red  
Tab back



COMMERCIAL DOORS & HARDWARE

# table of contents

## DOOR CLOSERS

	<b>PAGE</b>	
500 Grade 3 Surface	<b>1</b>	
600 Grade 1 Surface	<b>8</b>	
700 Grade 1 Surface	<b>15</b>	
800 Grade 1 Surface	<b>20</b>	
900 Grade 1 Surface	<b>27</b>	
1000/2000 Residential Surface	<b>37</b>	



# 500 SERIES

## Standard-Duty Grade 3 Surface Applied Closers



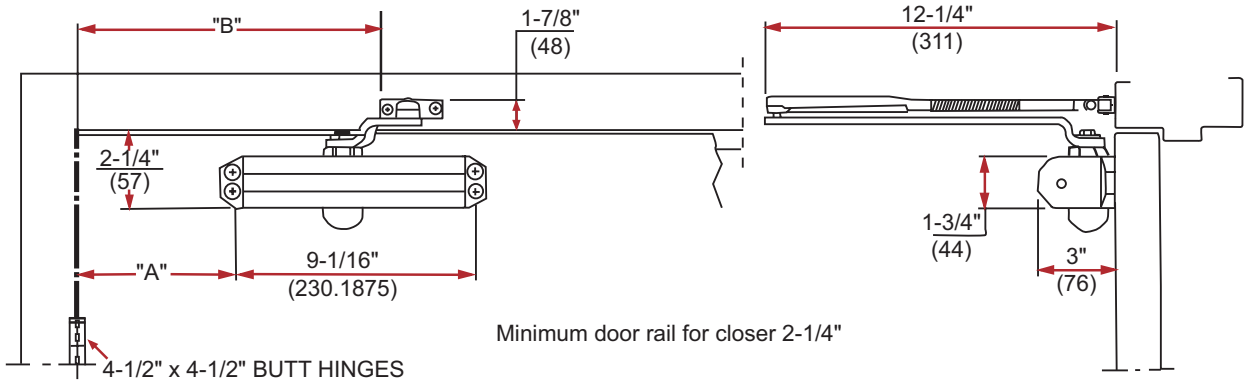
### Standard Features

- **Performance** Complies with ANSI A156.4, Grade 3, 500,000 cycles, UL/ULC listed up to 3 hours fire rated
- **Chassis/Closer** Cast aluminum
- **Handing** Non-handed
- **Mounting** **TRI-PACK** — regular, top jamb and parallel arm applications.
- **Main Arm** Stamped steel, accommodates reveals up to 3 1/4", adjustable extension arm
- **Spring Power** Adjustable 1 - 4 sizes
- **Backcheck** Adjustable, hydraulic - providing cushioning and preventing uncontrolled door openings.
- **Valves** Adjustable, independent, non-critical (sweep and latch), consistent closing speeds
- **Fasteners** Metal screws included for hollow metal and aluminum mounting applications. Wood screws included for wood door mounting applications. Thru-bolts optional.
- **Door Range** Up to 180 degrees
- **Door Preparation** 9-1/16" horizontal and 3/4" vertical mounting hole locations (retrofits traditional closer)
- **Warranty** 10 year limited



# 500 Series Application Drawings:

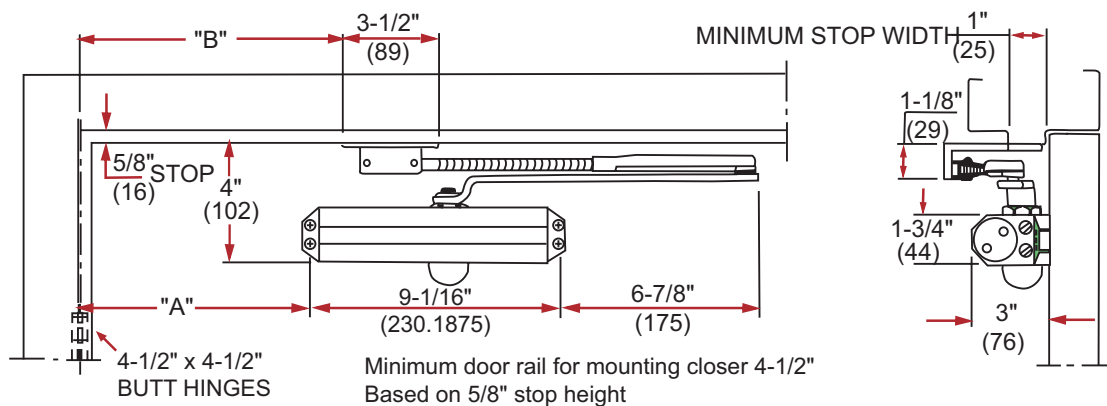
## Regular Arm Installation



TEMPLATE REFERENCE	DIM "A"	DIM "B"	APPROX. MAXIMUM OPENING	APPROX. BACKCHECK RANGE
TO 120°	5-1/8" (130)	11-5/8" (295)	122°	67°-122°
OVER 120°	3-11/16" (94)	9-5/8" (244)	180°	87°-180°

Note: Dimensions shown are inches / millimeters

## Parallel Arm Installation



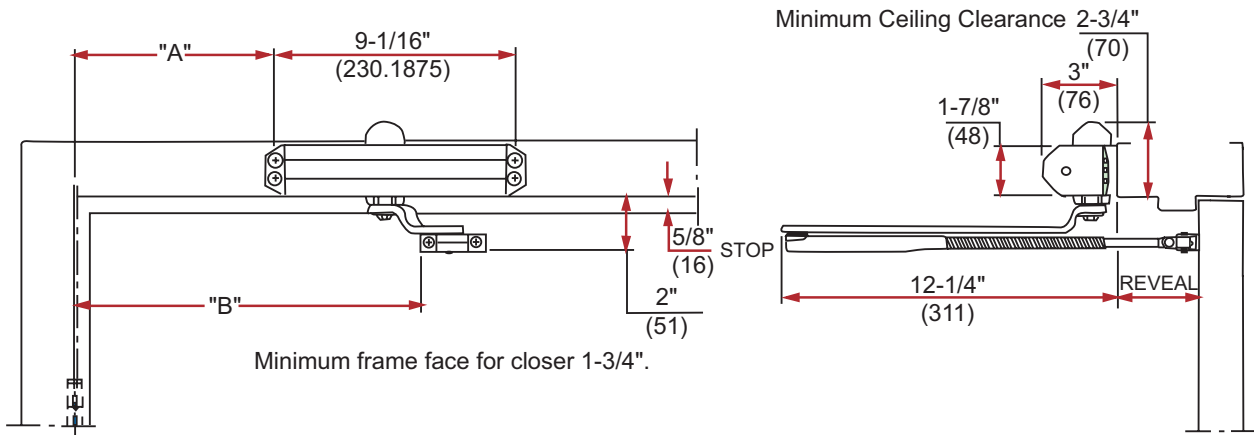
TEMPLATE REFERENCE	DIM "A"	DIM "B"	APPROX. MAXIMUM OPENING	APPROX. BACKCHECK RANGE	MINIMUM DOOR WIDTH
TO 120°	7-11/16" (195)	8-13/16" (224)	124°	82°-124°	24" (635)
OVER 120°	6-5/16" (160)	7-1/8" (181)	180°	95°-180°	24" (610)

Note: Dimensions shown are inches / millimeters



## 500 Series Application Drawings:

### Top Jamb Installation



TEMPLATE REFERENCE	DIM "A"	DIM "B"	APPROX. MAXIMUM OPENING	APPROX. BACKCHECK RANGE
TO 120°	6-1/4" (159)	12" (305)	125°	77°-125°
OVER 120°	4-1/4" (108)	10" (254)	180°*	93°-180°

\* 2-3/4 maximum Reveal for 180° opening  
 Note: Dimensions shown are inches / millimeters



## 500 Series Accessories:

### Backplate

**DC100131 (AL)**

**DC100132 (Duro)**

For top jamb mount where overhead ceiling clearance is less than 2-3/4" or for regular mount to clear a mortised stop/holder.



### Drop Plate

**DC100100 (AL)**

**DC100129 (Duro)**

For top jamb mount when overhead ceiling clearance is less than 1-7/8" or to provide clearance for overhead holder. Also permits parallel arm installation on doors with a minimum top rail of 2-1/2".



### Parallel Arm Bracket, (PAB)

**DC100117 (AL)**

**DC100192 (Duro)**

Used when mounting as parallel arm with regular main arm and plunger hold open arm.



### Friction Hold Open "L" Bracket, (FHO)

**DC100225 (AL)**

Used when mounting parallel arm or friction hold open (FHO) arm.



### Sex Nuts:

#### SNB1

**DC100222 (AL)**

**DC100095 (Duro)**

Sex nuts with machine screws for 1-3/4" (44 mm) door.

#### SNB2

**DC100089 (AL)**

**DC100203 (Duro)**

Sex nuts with machine screws for 1-3/8" (35 mm) door.



NOTE: AL=Aluminum, Duro=Duranodic



## 500 Series Arms:

### Regular Arm (Standard)

**DC100118 (AL)**

**DC100119 (Duro)**

Complete arm assembly with wrought main arm, stamped steel brouch insert, full articulating adjusting arm and 10mm threaded rod and shoe to accommodate 0 to 3-1/4" inch reveals.



### Top Jamb Arm—Deep Reveal, (TJDR)

**DC100101 (AL)**

**DC100134 (Duro)**

Complete arm assembly with wrought main arm, stamped steel brouch insert, full articulating adjusting arm and 10mm threaded rod and shoe to accommodate 3-1/4" to 8 inch reveals.



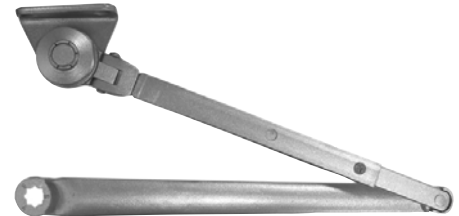
### Friction Hold Open Arm, (FHO)

**DC100097 (AL)**

**DC100098 (Duro)**

Complete hold open arm assembly with wrought main arm, stamped steel brouch insert, flat form articulating adjusting arm, rod and shoe. Provides positive single point hold open adjustable from approximately 80 degrees to 135 degrees.

\*PA bracket optional







## 500 Series Cross Reference Chart:

TELL	CAL-ROYAL	DORMA	DOR-O-MATIC	INTERNATIONAL	LCN	NORTON	PARKER	SENTINEL	YALE
543BC/546BC	700BC/ 400BC	7203/ 7205	SC91/ SC94	683/685 783/785 883/885	N/A	9303BC/ 9305BC	953BC/ 955BC	SN42/43 SN73BC/ SN76BC	2303BC/ 2305BC
540BC	300P	N/A	N/A	N/A	N/A	N/A	N/A	SN71BC	N/A
541BC	300PBF	N/A	N/A		N/A	N/A	N/A	SN71BC	N/A

**NOTE:** This chart has been prepared by comparing functions of door closers. Since no products are exactly alike, the data on this chart represents our judgement of which products are most similar. Because information has been obtained from trade sources, it is not guaranteed nor represented that any specific product exactly equals any other product.

## 500 Series Door Sizing Charts:

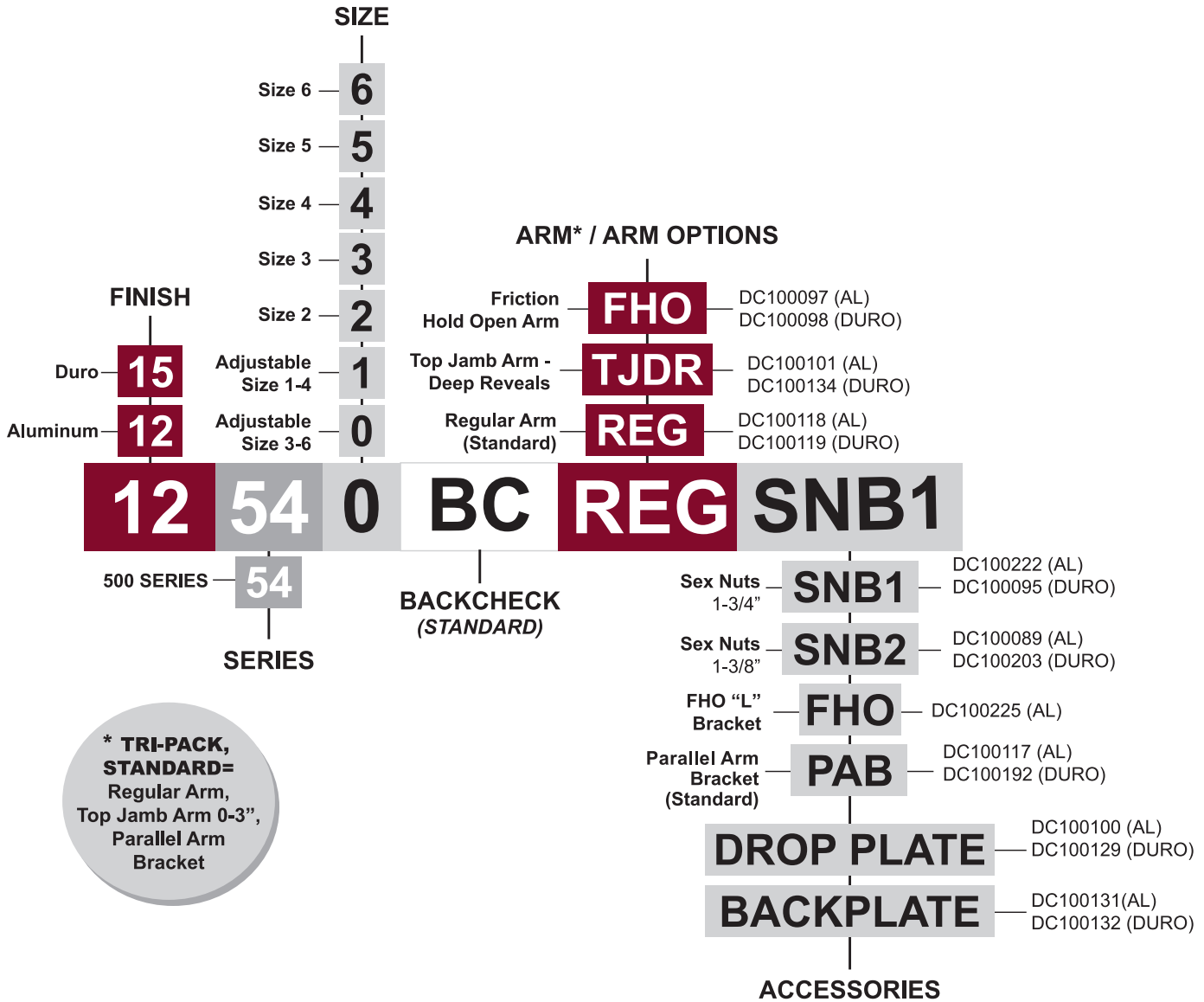
Regular/ Top Jamb Installation	DOOR WIDTH						✓ = Recommended N/A = Not applicable or recommended ☒ = Opening force 5 lbs. on interior and 8.5 lbs. on exterior doors
	CLOSER		2'-0" min.	2'-6" max.	3'-0" max.	3'-6" max.	
	540	Interior	N/A	N/A	✓	✓	✓
		Exterior	N/A	N/A	✓	☒	☒
	541	Interior	✓	✓	☒	☒	N/A
		Exterior	✓	✓	☒	N/A	N/A
	543 to 546	Interior	N/A	N/A	543	544	545
		Exterior	N/A	543	544	545	546

Parallel Arm Installation	DOOR WIDTH				
	CLOSER	2'-6" max.	3'-0" max.	3'-6" max.	4'-0" max.
540	Interior	✓	✓	✓	✓
	Exterior	✓	☒	☒	N/A
541	Interior	✓	☒	N/A	N/A
	Exterior	✓	N/A	N/A	N/A
543 to 546	Interior	543	544	545	546
	Exterior	544	545	546	N/A



## How to Order 500 Series:





# 600 SERIES

## Heavy-Duty Commercial Grade 1 Surface Applied Closers



### Standard Features

- **Performance** Complies with ANSI A156.4, Grade 1, 2 million cycles, UL/ULC listed up to 3 hours fire rated
- **Chassis/Closer** Cast aluminum
- **Handing** Non-handed
- **Mounting** **TRI-PACK** — regular, top jamb and parallel arm applications.
- **Main Arm** Forged steel, accommodates reveals up to 3 1/4", adjustable extension arm
- **Spring Power** Adjustable 1 - 4 and 3 - 6 sizes
- **Backcheck** Adjustable, hydraulic - providing cushioning and preventing uncontrolled door openings.
- **Valves** Adjustable, independent, non-critical (sweep and latch), consistent closing speeds
- **Fasteners** Metal screws included for hollow metal and aluminum mounting applications. Wood screws included for wood door mounting applications. Thru-bolts optional.
- **Door Range** Up to 180 degrees
- **Door Preparation** 9-1/16" horizontal and 3/4" vertical mounting hole locations (retrofits traditional closer)
- **Warranty** 25 year limited

### Optional Features

- **Covers** High impact plastic and plated kit: cover, arm & bracket.
- **Hold Open Arm** Forged steel with hold open adjustable from 80 to 135 degrees
- **Sex Nuts** For 1-3/8" or 1-3/4" thick doors

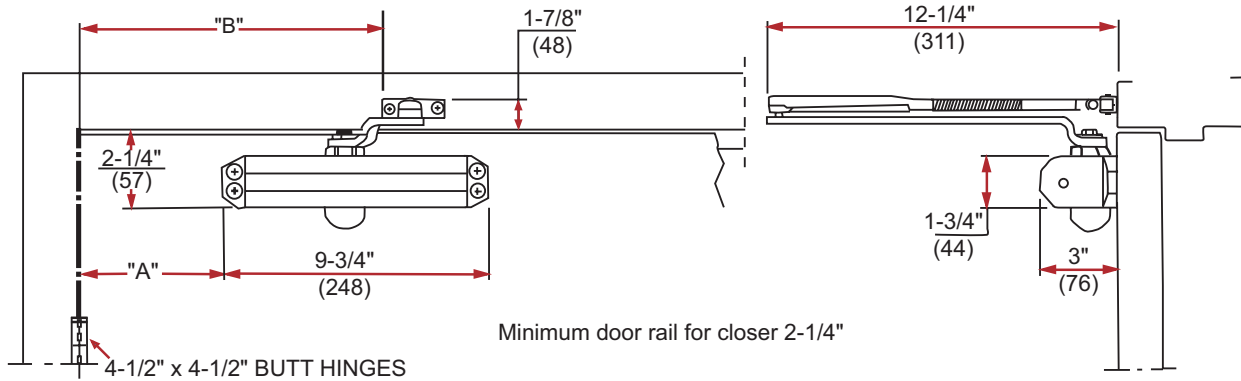
### Other View:





## 600 Series Application Drawings:

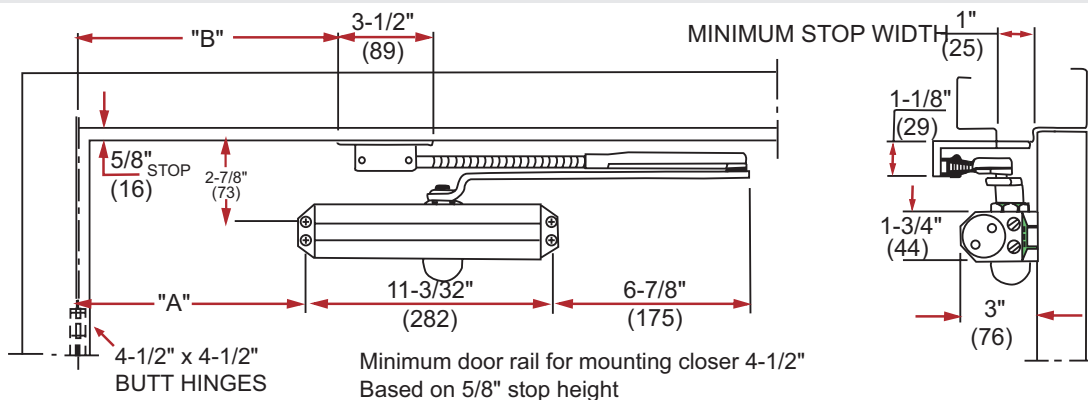
### Regular Arm Installation



TEMPLATE REFERENCE	DIM "A"	DIM "B"	APPROX. MAXIMUM OPENING	APPROX. BACKCHECK RANGE
TO 120°	5-1/8" (130)	11-5/8" (295)	122° □	67°-122°
OVER 120° □	3-11/16" (94)	9-5/8" (244)	180° □	87°-180°

Note: Dimensions shown are inches / millimeters

### Parallel Arm Installation



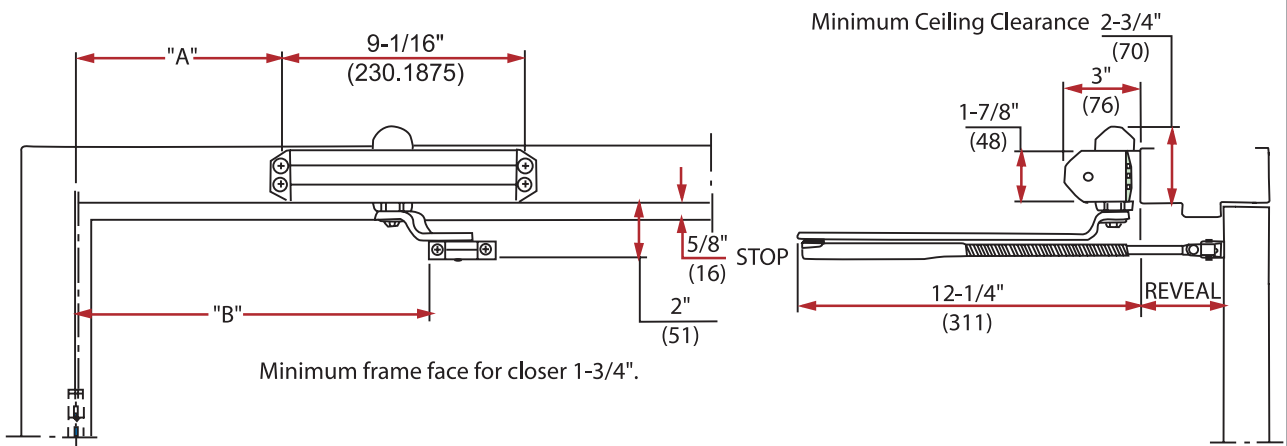
TEMPLATE REFERENCE	DIM "A"	DIM "B"	APPROX. MAXIMUM OPENING	APPROX. BACKCHECK RANGE	MINIMUM DOOR WIDTH
TO 120°	7-11/16" (195)	8-13/16" (224)	124°	82°-124°	24" (635)
OVER 120°	6-5/16" (160)	7-1/8" (181)	180°	95°-180°	24" (610)

Note: Dimensions shown are inches / millimeters



## 600 Series Application Drawings:

### Top Jamb Installation



TEMPLATE REFERENCE	DIM "A"	DIM "B"	APPROX. MAXIMUM OPENING	APPROX. BACKCHECK RANGE
TO 120°	$\frac{5-3}{8}$ " (137)	$\frac{11-1}{2}$ " (292)	125°	77°-125°
OVER 120°	$\frac{3-3}{16}$ " (81)	$\frac{8-1}{2}$ " (216)	180°*	93°-180°

\* 2-3/4 maximum Reveal for 180° opening  
 Note: Dimensions shown are inches / millimeters



## 600 Series Accessories:

### Backplate

**DC100131 (AL)**

**DC100132 (Duro)**

For top jamb mount where overhead ceiling clearance is less than 2-3/4" or for regular mount to clear a mortised stop/holder.



### Drop Plate

**DC100100 (AL)**

**DC100129 (Duro)**

For top jamb mount when overhead ceiling clearance is less than 1-7/8" or to provide clearance for overhead holder. Also permits parallel arm installation on doors with a minimum top rail of 2-1/2".



### Parallel Arm Bracket, (PAB)

**DC100117 (AL)**

**DC100192 (Duro)**

Used when mounting as parallel arm with regular main arm and plunger hold open arm.



### Friction Hold Open "L" Bracket, (FHO)

**DC100225 (AL)**

Used when mounting parallel arm or friction hold open (FHO) arm.



### Sex Nuts:

**SNB1**

**DC100222 (AL)**

**DC100095 (Duro)**

Sex nuts with machine screws for 1-3/4" (44 mm) door.

**SNB2**

**DC100089 (AL)**

**DC100203 (Duro)**

Sex nuts with machine screws for 1-3/8" (35 mm) door.



NOTE: AL=Aluminum, Duro=Duranodic



## 600 Series Arm & Cover Options:

### Regular Arm (Standard)

DC100118 (AL)

DC100119 (Duro)

Complete arm assembly with forged steel main arm, full articulating adjusting arm and 10mm threaded rod and shoe to accommodate 0" to 3-1/4" inch reveals.



### Top Jamb Arm—Deep Reveals, (TJDR)

DC100101 (AL)

DC100134 (Duro)

Complete arm assembly with forged steel main arm, full articulating adjusting arm and 10mm threaded rod and shoe to accommodate 3-1/4" to 8" reveals.



### Friction Hold Open, (FHO)

DC100097 (AL)

DC100098 (Duro)

Complete hold open arm assembly with forged steel main arm, flatform articulating adjusting arm and rod and shoe. Provides positive single point hold open adjustable from approximately 80 degrees to 135 degrees.

\*PA bracket optional



### Full Cover, (COV)

DC100102 (AL)

DC100103 (Duro)

High impact full plastic cover, non-handed.



### Arm & Cover Kit

DC100165 (US3)

DC100167 (US26)

Optional Plated Kit includes non-handed full metal cover, regular arm, parallel arm bracket and all fasteners in matching plated finish.



NOTE: AL=Aluminum, Duro=Duranodic, US3=Bright Brass, US26=Bright Chrome



## 600 Series Cross Reference Chart:

TELL	CAL-ROYAL	DORMA	DOR-O-MATIC	INTERNATIONAL	LCN	NORTON	PARKER	SENTINEL	YALE	SARGENT
642BC/	N/A	7302/	N/A	N/A	1074/1075	1602BC*/	952BC/	S52BC/	52BC*/	1132*/
646BC		7305				1606BC*	955BC	S56BC	56BC*	1135*
640BC	900-P	7436	SC60	9001	N/A	1601*	900BC	S50BC	51*	1130*
										1430
641BC	900-PBF	7414	SC61	9003	1071	1601BF*	BF900BC	S51BC	51BF*	1131*
										1431*

**NOTE:** This chart has been prepared by comparing functions of door closers. Since no products are exactly alike, the data on this chart represents our judgement of which products are most similar. Because information has been obtained from trade sources, it is not guaranteed nor represented that any specific product exactly equals any other product.

\* RETROFIT INSTALLATION HOLE FOR HOLE

## 600 Series Door Sizing Charts:

Regular/ Top Jamb Installation	D O O R   W I D T H						
	CLOSER		2'-0" min.	2'-6" max.	3'-0" max.	3'-6" max.	4'-0" max.
	640	Interior	N/A	N/A	✓	✓	✓
		Exterior	N/A	N/A	✓	⊗	⊗
	641	Interior	✓	✓	⊗	⊗	N/A
		Exterior	✓	✓	⊗	N/A	N/A
	643 to 646	Interior	N/A	N/A	643	644	645
		Exterior	N/A	643	644	645	646

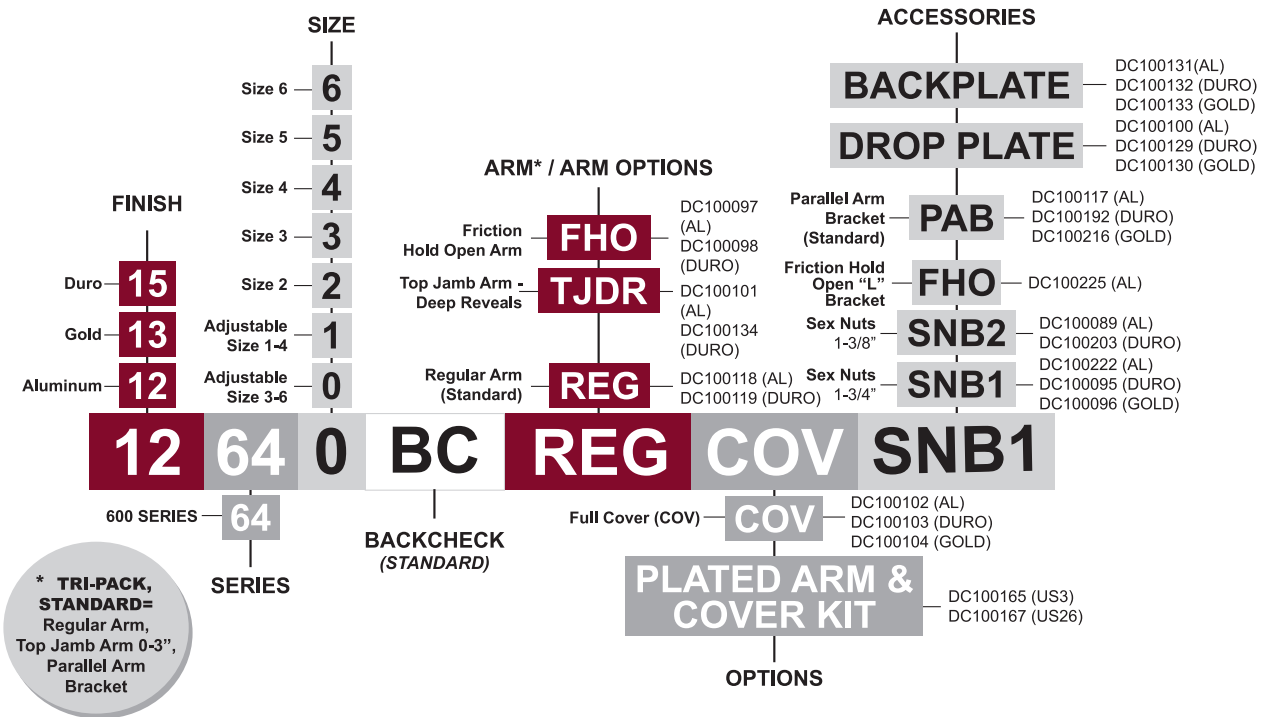
Parallel Arm Installation	D O O R   W I D T H				
	CLOSER	2'-6" max.	3'-0" max.	3'-6" max.	4'-0" max.
640	Interior	✓	✓	✓	✓
	Exterior	✓	⊗	⊗	N/A
641	Interior	✓	⊗	N/A	N/A
	Exterior	✓	N/A	N/A	N/A
643 to 646	Interior	643	644	645	646
	Exterior	644	645	646	N/A

✓ = Recommended  
 N/A = Not applicable or recommended  
 ⊗ = Opening force 5 lbs. on interior and 8.5 lbs. on exterior doors





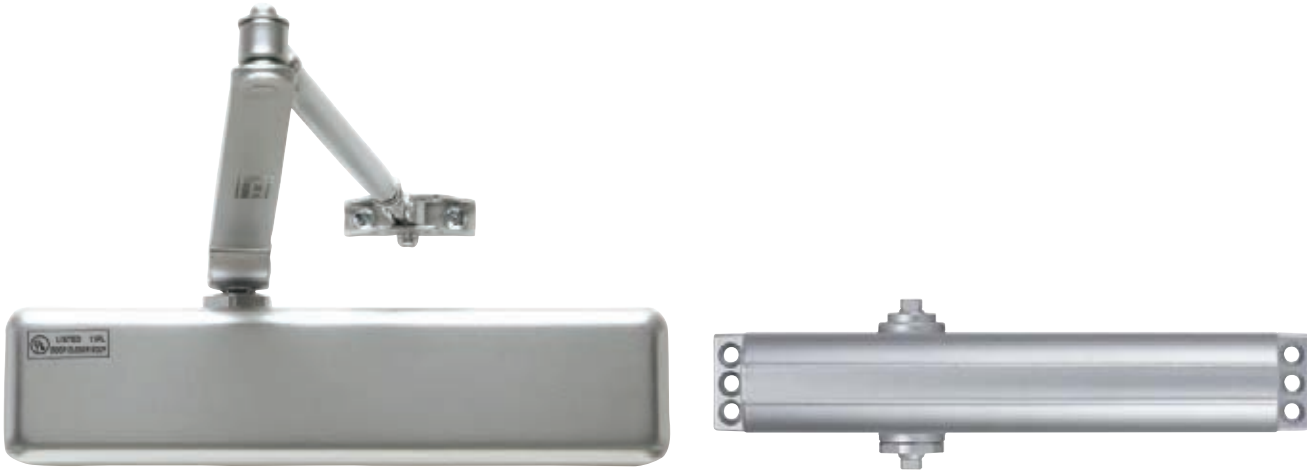
## How to Order 600 Series:





# 700 SERIES

## Heavy-Duty Commercial Grade 1 Surface Applied Closer

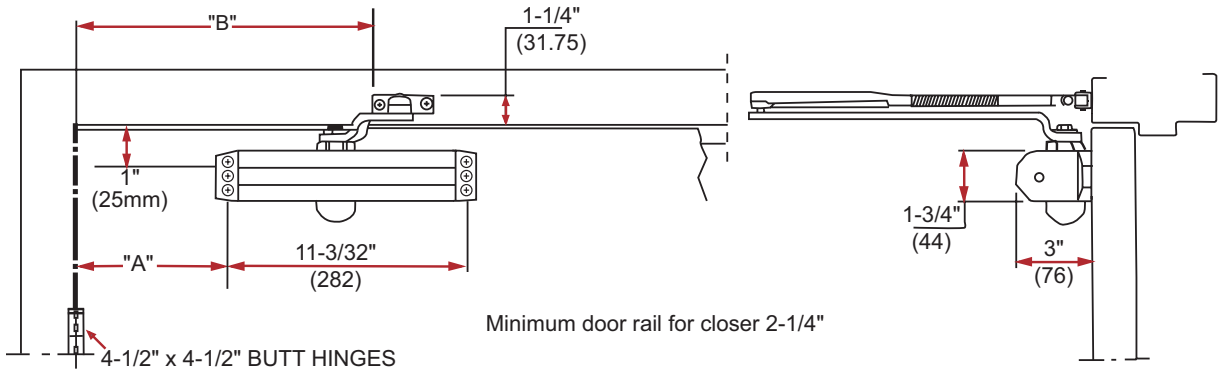


### Standard Features

- **Performance** Complies with ANSI A156.4, Grade 1, 2,000,000 cycles, UL/ULC listed up to 3 hours fire rated
- **Chassis/Closer** Cast aluminum
- **Handing** Non-handed
- **Mounting** **TRI-PACK** — regular, top jamb and parallel arm applications.
- **Main Arm** Forged steel, accommodates reveals up to 3-1/4", adjustable extension arm
- **Spring Power** Adjustable 1 - 6 sizes
- **Backcheck** Adjustable, hydraulic - providing cushioning and preventing uncontrolled openings of the door
- **Valves** Adjustable, independent, non-critical (sweep and latch), consistent closing speeds
- **Fasteners** Metal screws included for hollow metal and aluminum mounting applications. Wood screws included for wood door mounting applications. Closers are packed with thru-bolts.
- **Door Range** Up to 180 degrees
- **Door Preparation** 11-3/32" horizontal and 3/4" vertical mounting hole locations (retrofits traditional closer)
- **Warranty** 25 years



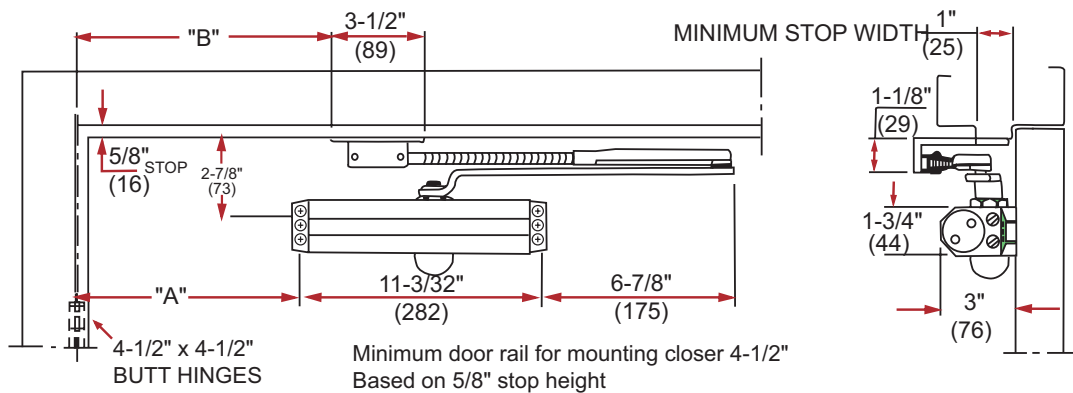
## 700 Series Application Drawings: Regular Arm Installation



TEMPLATE REFERENCE	DIM "A"	DIM "B"	APPROX. MAXIMUM OPENING	APPROX. BACKCHECK RANGE
TO 120°	6-1/4" (159)	12" (305)	122°	67°-122°
OVER 120°	4-1/4" (108)	10" (254)	180°	87°-180°

Note: Dimensions shown are inches / millimeters

## Parallel Arm Installation



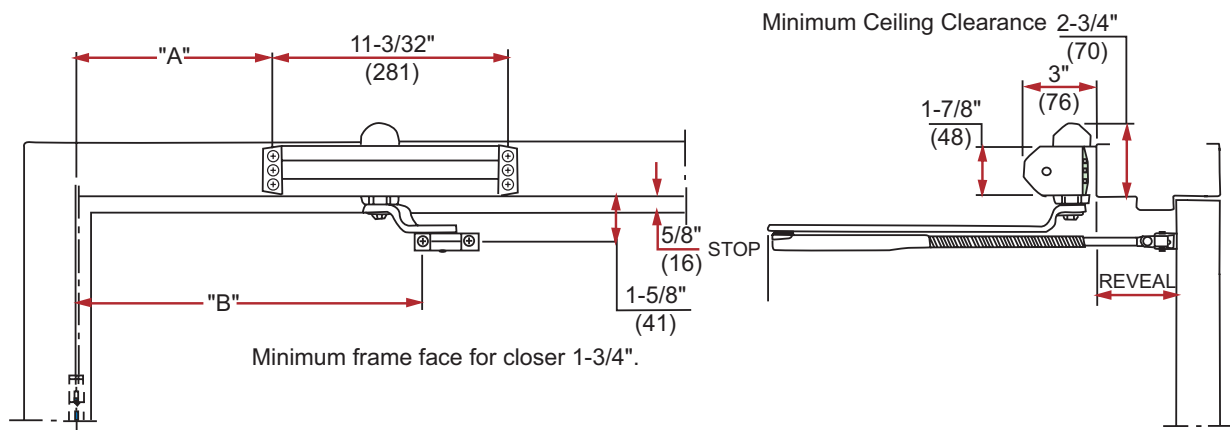
TEMPLATE REFERENCE	DIM "A"	DIM "B"	APPROX. MAXIMUM OPENING	APPROX. BACKCHECK RANGE
TO 120°	5" (127)	9-27/32" (250)	124°	82°-124°
OVER 120°	2" (50)	5-9/16" (150)	180°	95°-180°

Note: Dimensions shown are inches / millimeters



## 700 Series Application Drawings:

### Top Jamb Installation



TEMPLATE REFERENCE	DIM "A"	DIM "B"	APPROX. MAXIMUM OPENING	APPROX. BACKCHECK RANGE
TO 120°	$\frac{6-1/4"}{(159)}$	$\frac{12"}{(305)}$	125°	77°-125°
OVER 120°	$\frac{4-1/4"}{(108)}$	$\frac{10"}{(254)}$	180°*	93°-180°

\* 2-3/4 maximum Reveal for 180° opening  
 Note: Dimensions shown are inches / millimeters



## 700 Series Arms and Arm Options:

### Friction Hold Open Arm, (FHO)

DC100410 (AL)

DC100411 (Duro)

Complete hold open arm assembly with forged steel main arm, platform articulating adjusting arm and rod and shoe. Provides positive single point hold open adjustable from approximately 80 degrees to 135 degrees.

\*PA bracket optional



### Top Jamb Arm—Deep Reveals, (TJDR)

DC100101 (AL)

DC100134 (Duro)

Complete arm assembly with forged steel main arm, full articulating adjusting arm and 10mm threaded rod and shoe to accommodate 3-1/4" to 8" reveals.



### Regular Arm (Standard)

DC100118 (AL)

DC100119 (Duro)

Complete arm assembly with forged steel main arm, full articulating adjusting arm and 10mm threaded rod and shoe to accommodate 0" to 3-1/4" inch reveals.



## 700 Series Cover:

### Full Cover, (COV) (Standard)

High impact full plastic cover, non-handed.





## 700 Series Accessories:

### Drop Plate

DC100408 (AL)

DC100409 (Duro)

For top jamb mount when overhead ceiling clearance is less than 1-7/8" or to provide clearance for overhead holder. Also permits parallel arm installation on doors with a minimum top rail of 2-1/2".



### Sex Nuts:

**SNB1**

DC100222 (AL)

DC100095 (Duro)

SNB1 — Sex nuts with machine screws for 1-3/4" (44 mm) door.

**SNB2**

DC100089 (AL)

DC100203 (Duro)

SNB2 — Sex nuts with machine screws for 1-3/8" (35 mm) door.



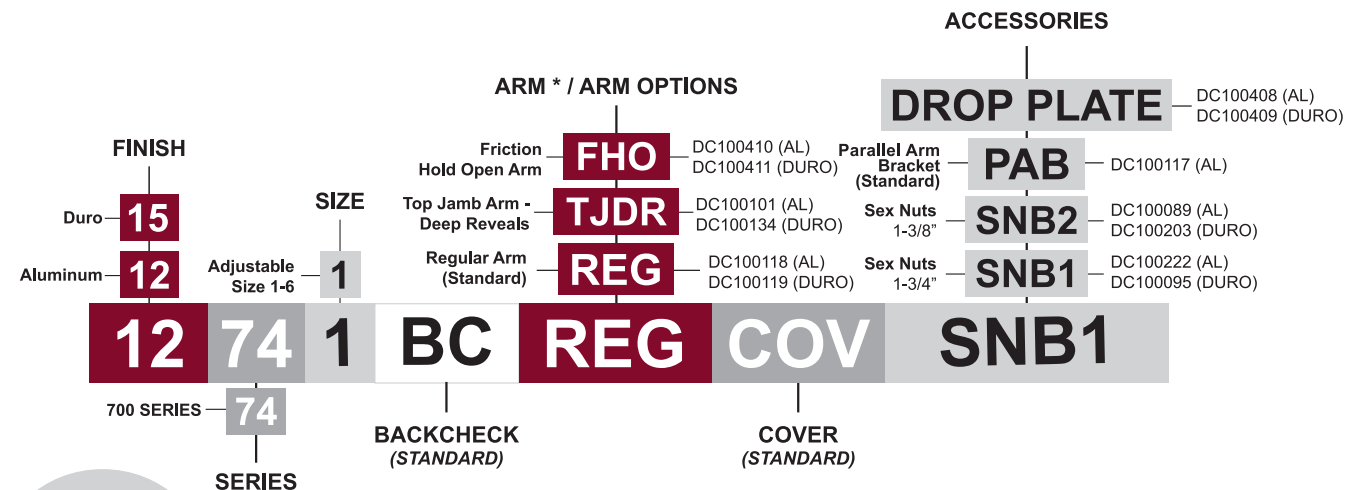
### Parallel Arm Bracket, (PAB) (Standard)

DC100117 (AL)

Used when mounting as parallel arm with regular main arm.



## How to Order 700 Series:

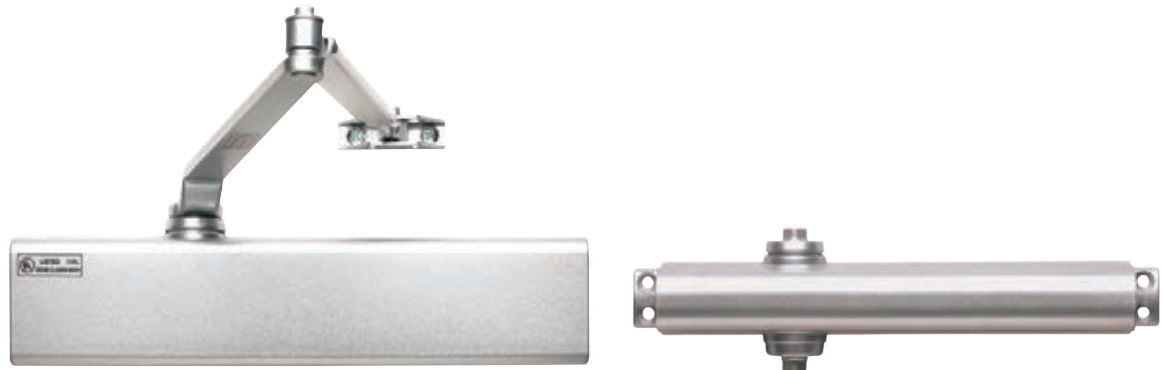


\* TRI-PACK,  
STANDARD=  
Regular Arm,  
Top Jamb Arm 0-3",  
Parallel Arm  
Bracket



# 800 SERIES

## Heavy-Duty Commercial Grade 1 Surface Applied Closers



### Standard Features

- **Performance** Complies with ANSI A156.4, Grade 1, 2 million cycles, UL/ULC listed up to 3 hours fire rated
- **Chassis/Closer** Cast aluminum
- **Handing** Non-handed
- **Mounting** **TRI-PACK** — regular, top jamb and parallel arm applications.
- **Main Arm** Stamped steel, accommodates reveals up to 3 1/4", adjustable extension arm
- **Spring Power** Spring power adjustable size 1 - 6 standard for interior and exterior applications
- **Backcheck** Adjustable, hydraulic - providing cushioning and preventing uncontrolled openings of the door
- **Valves** Adjustable, independent, non-critical (sweep and latch), consistent closing speeds
- **Fasteners** Metal screws included for hollow metal and aluminum mounting applications. Wood screws included for wood door mounting applications. Closers are packed with thru-bolts.
- **Door Range** Up to 180 degrees
- **Door Preparation** 12" horizontal and 3/4" vertical mounting hole locations (retrofits traditional closer)
- **Cover** High impact plastic streamlined cover
- **Warranty** 25 year limited

# 800 Series Application Drawings:

## Regular Hinge (Pull) Side Mounting

9-1/4 (235) 1-1/4 (32) 3-1/8 (79) 4-1/2 (114) 13 (330) 12-1/2 (318) 2-1/4 (58) 2-1/8 (54)

4-1/2" x 4-1/2" Butt Hinges

Minimum door rail for mounting closer 2-1/2".  
 Minimum door rail to bottom of slim plastic cover 2-5/8".  
 Minimum door rail to bottom of optional full cover 3-5/8".  
 Backcheck positioning valve in "OFF" position.

MAXIMUM OPENING	APPROX BACKCHECK*	APPROX. DELAYED ACTION
180°	65°-180°	180°-65°

\*Backcheck is advanced approximately 15° with positioning valve on.

## Regular Hold Open Arm

"B" 1-1/4 (32) 2-7/8 (73) "A" 13 (330) 12 (305) 2-1/4 (57) 2-1/8 (54)

4-1/2" x 4-1/2" Butt Hinges

Minimum door rail for mounting closer 2-5/8".  
 Minimum door rail to bottom of slim plastic cover 2-3/4".

Minimum door rail to bottom of optional full cover 3-3/4".  
 Backcheck positioning valve in "OFF" position.

TEMPLATE REFERENCE	DIM "A"	DIM "B"	APPROX. MAXIMUM OPENING	APPROX. BACKCHECK*	APPROX. DELAYED ACTION	MINIMUM HOLD OPEN	MAXIMUM HOLD OPEN
TO 100°	7" (178)	12-3/8" (321)	110°	65°-110°	110°-65°	80°	110°
100°-120°	6" (152)	11-5/8" (295)	125°	70°-125°	125°-70°	90°	125°
OVER 120°	3-1/2" (89)	9-1/8" (232)	180°	85°-180°	180°-85°	100°	165°

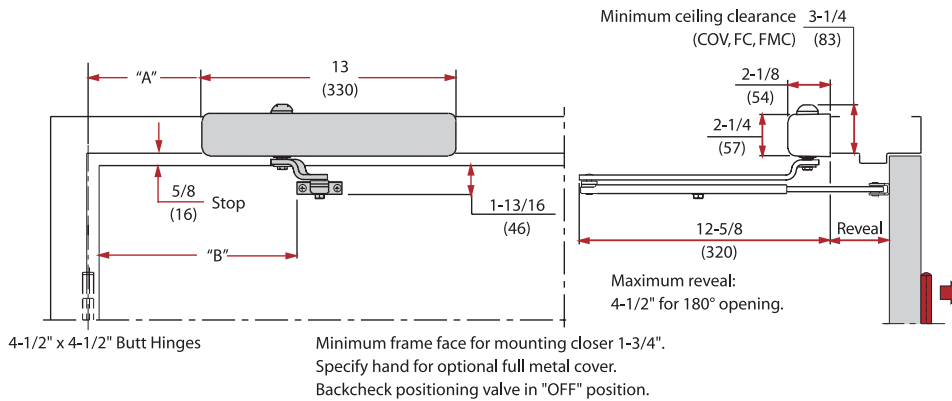
\*Backcheck is advanced approximately 15° with positioning valve on.





# 800 Series Application Drawings:

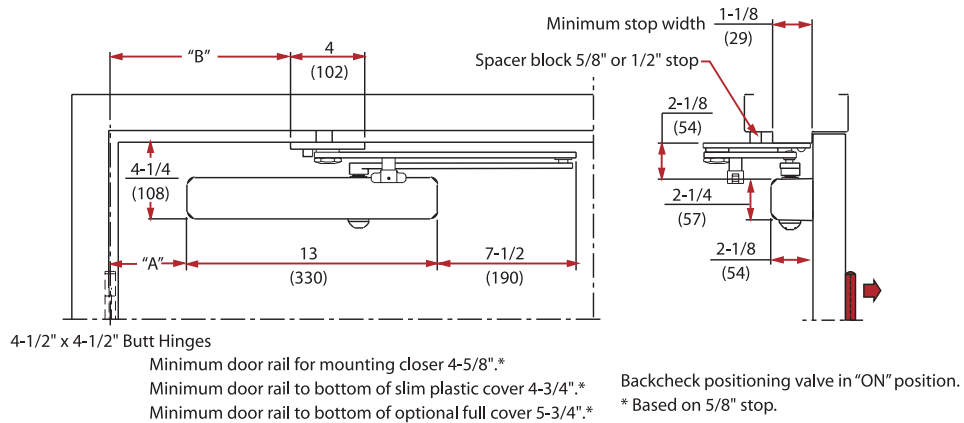
## Top Jamb (Push Side) Mounting



TEMPLATE REFERENCE	DIM "A"	DIM "B"	REVEAL	ARM	APPROX. MAXIMUM OPENING	APPROX. BACKCHECK*	APPROX. DELAYED ACTION
TO 180°	4-1/2" (114)	9-1/4" (235)	0"	AFAR	180°	70°-180°	180°-70°
			4"	AFAR	180°	75°-180°	180°-75°
TO 180°	4-1/2" (114)	9-1/4" (235)	4"	AFJAR	180°	75°-180°	180°-75°
			8"	AFJAR	165°	80°-165°	165°-80°

\*Backcheck is advanced approximately 15° with positioning valve on.

## Heavy-Duty Parallel Arm With Dead Stop

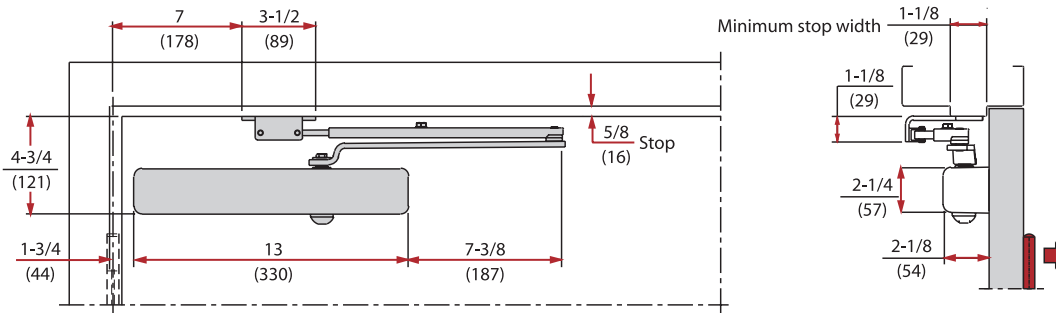


TEMPLATE REFERENCE	DIM "A"	DIM "B"	APPROX. MAXIMUM OPENING	APPROX. BACKCHECK*	APPROX. DELAYED ACTION	MINIMUM HOLD OPEN
85°	4-5/8" (117)	10-5/8" (270)	85°	50°-85°	85°-65°	26"
90°	3-7/8" (98)	9-3/4" (248)	90°	55°-90°	90°-70°	25"
100°	3-5/8" (57)	8-5/8" (219)	100°	60°-100°	100°-75°	24"
110°	1-1/2" (38)	7-1/2" (191)	110°	65°-110°	110°-80°	23"



# 800 Series Application Drawings:

## Parallel Arm (Push Side) Mounting

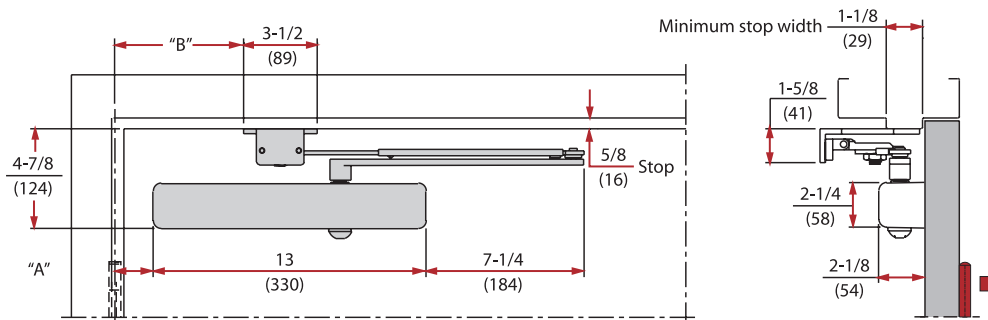


4-1/2" x 4-1/2" Butt Hinges

Minimum door rail for mounting closer 5-1/8".\*  
 Minimum door rail to bottom of optional full cover 6-1/4".\*  
 Backcheck positioning valve in "ON" position.  
 \* Based on 5/8" stop.

MAXIMUM OPENING	APPROX BACKCHECK	APPROX. DELAYED ACTION	MINIMUM DOOR WIDTH
180°	60°-180°	180°-75°	24"

## Parallel Hold Open Arm



4-1/2" x 4-1/2" Butt Hinges

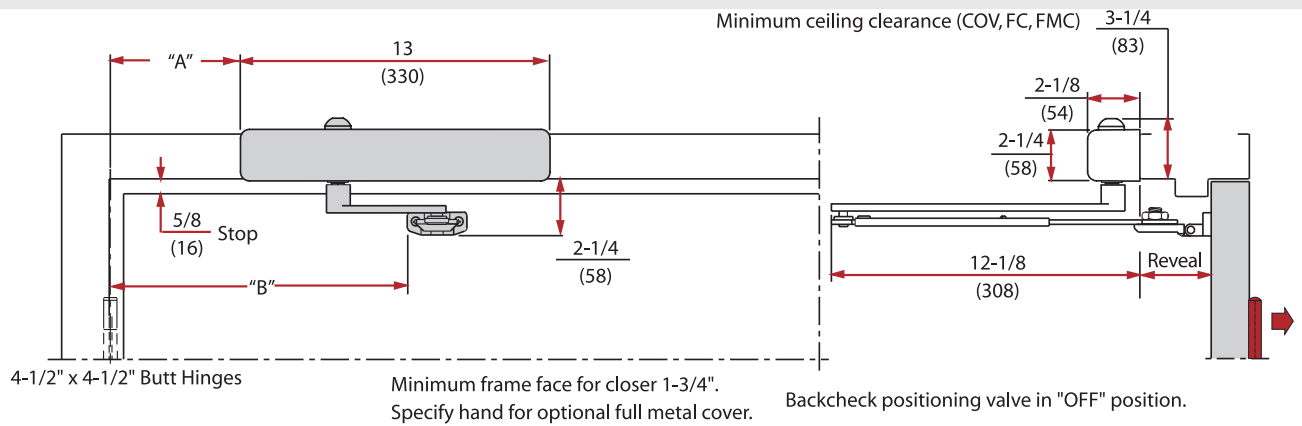
Minimum door rail for mounting closer 4-7/8".\*  
 Minimum door rail to bottom of slim plastic cover 5-3/8".\*  
 Minimum door rail to bottom of optional full cover 6-3/8".\*  
 Backcheck positioning valve in "ON" position.  
 \* Based on 5/8" stop.

TEMPLATE REFERENCE	DIM "A"	DIM "B"	APPROX. MAXIMUM OPENING	APPROX. BACKCHECK RANGE	APPROX. DELAYED ACTION	MIN. HOLD OPEN	MAX. HOLD OPEN	MIN. DOOR WIDTH
TO 100°	3-5/8"	9"	110°	65°-110° (92)	110°-80° (228)	45°	105°	29"
OVER 100°	1-1/2" (38)	6-1/2" (165)	180°	80°-180°	180°-95°	45°	175°	24"



## 800 Series Application Drawings:

### Top Jamb Hold Open Arm



TEMPLATE REFERENCE	DIM "A"	DIM "B"	REVEAL	ARM	APPROX. MAXIMUM OPENING	APPROX. BACKCHECK*	APPROX. DELAYED ACTION RANGE	MIN. HOLD OPEN	MAX. HOLD OPEN
TO 100°	7-1/2" (190)	13-1/8" (333)	0"	FH	110°	70°-110°	110°-70°	70°	105°
			4"	FH	105°	75°-105°	105° - 75°	70°	100°
			4"	FHJ	105°	75°-105°	105° - 75°	70°	100°
			8"	FHJ	100°	80°-100°	110° - 80°	70°	95°
TO 120°	6" (152)	11-5/8" (295)	0"	FH	125°	75°-125°	75°-125°	75°	120°
			4"	FH	120°	80°-120°	120° - 80°	75°	115°
			4"	FHJ	120°	80°-120°	120° - 80°	75°	115°
			8"	FHJ	115°	85°-115°	115° - 85°	75°	110°
OVER 120°	3-1/2" (89)	9-1/8" (232)	0"	FH	180°	85°-180°	180° - 85°	80°	170°
			4"	FH	180°	90°-180°	180° - 90°	80°	170°
			4"	FHJ	180°	90°-180°	180° - 90°	80°	170°
			8"	FHJ	165°	100°-165°	165° - 100°	85°	155°

\*Backcheck is advanced approximately 15° with positioning valve on.



## 800 Series Arm Options:

### Regular Arm, (Standard)

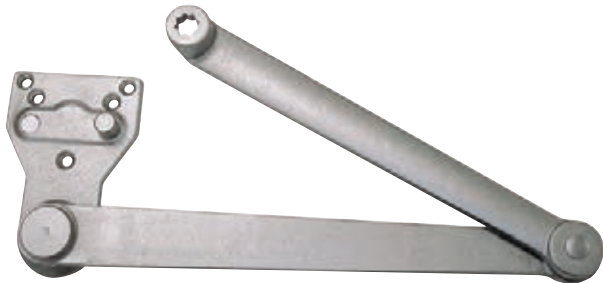
DC100279 (AL)

Complete arm assembly with forged steel main arm, full articulating adjusting arm and 10mm threaded rod and shoe to accommodate 0" to 3-1/4" inch reveals.



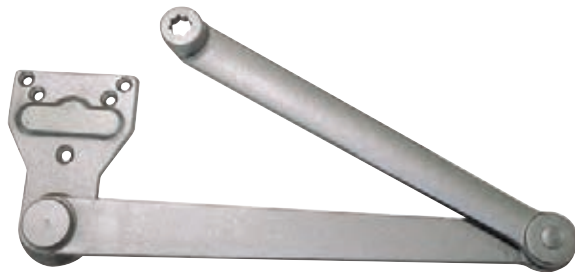
### Dead Stop Arm (DS)

DC100285 (AL)



### Super Parallel Hold Open Arm (SPH)

DC100282 (AL)



## 800 Series Cover:

### Full Plastic Cover, (Standard)

DC100288

High impact full plastic cover, non-handed.



NOTE: AL=Aluminum



## 800 Series Accessories:

### Sex Nuts:

#### SNB1

DC100222 (AL)

DC100095 (Duro)

DC100096 (Gold)

SNB1 — Sex nuts with machine screws for 1-3/4" (44 mm) door.

#### SNB2

DC100089 (AL)

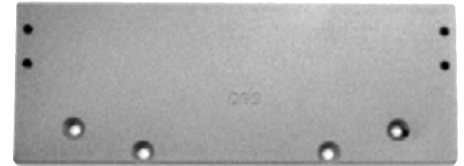
DC100203 (Duro)

SNB2 — Sex nuts with machine screws for 1-3/8" (35 mm) door.



### Drop Plate / DC100245 (AL)

For top jamb mount when overhead ceiling clearance is less than 1-7/8" or to provide clearance for overhead holder. Also permits parallel arm installation on doors with a minimum top rail of 2-1/2".



### Parallel Arm Bracket, (PAB) (Standard)

DC100117 (AL)

DC100192 (Duro)

DC100216 (Gold)

Used when mounting as parallel arm with regular main arm.



## 800 Series Cross Reference:

TELL	CAL-ROYAL	DORMA	DOR-O-MATIC	INTERNATIONAL	LCN	NORTON	PARKER	SENTINEL	YALE	SARGENT
816	801S*	8616	SC80/SC81	9000	1460	8000	900BC	2500	3000*	1430
										1431

**NOTE:** This chart has been prepared by comparing functions of door closers. Since no products are exactly alike, the data on this chart represents our judgment of which products are most similar. Because information has been obtained from trade sources, it is not guaranteed nor represented that any specific product exactly equals any other product.

\* RETROFIT INSTALLATION HOLE FOR HOLE

## 800 Series Door Sizing Chart:

Door Sizing Chart	D O O R W I D T H						
	2'-0" min.	2'-6" max.	3'-0" max.	3'-6" max.	4'-0" max.	4'-6" max.	5'-0" max.
<b>CLOSER</b>							
<b>816</b>							
<b>Regular &amp; Top Jamb</b>	Interior	✓	✓	♿	✓	✓	✓
	Exterior	✓	✓	♿	✓	✓	N/A
<b>816</b>							
<b>PA</b>	Interior	✓	✓	♿	✓	✓	N/A
	Exterior	✓	✓	♿	✓	✓	N/A

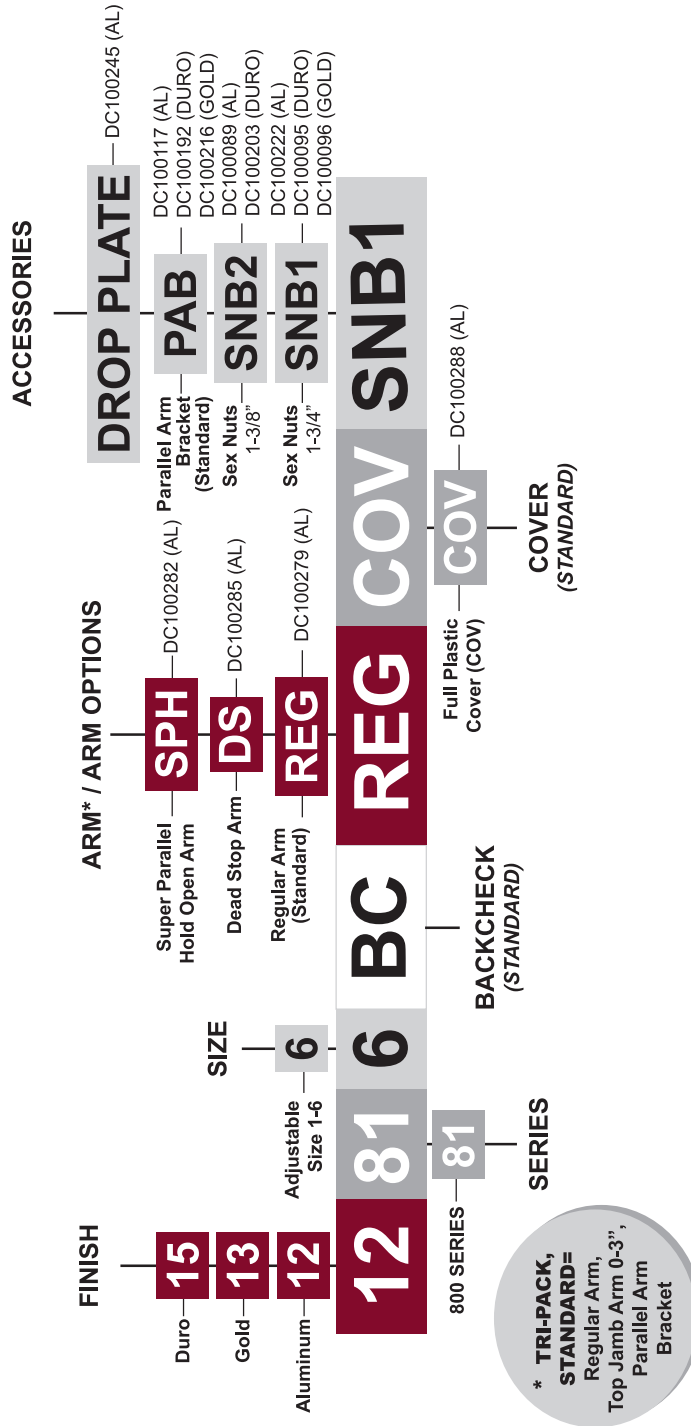
✓ = Recommended

N/A = Not applicable or recommended

♿ = Opening force 5 lbs. on interior and 8.5 lbs. on exterior doors



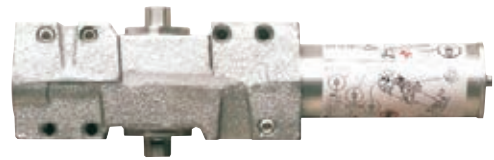
# How to Order 800 Series:





# 900 SERIES

## Heavy-Duty Commercial Grade 1 Surface Applied Closers



### Standard Features

- **Performance** Complies with ANSI A156.4, Grade 1, 2 million cycles, UL/ULC listed up to 3 hours fire rated
- **Chassis/Closer** Cast steel
- **Handing** Non-handed
- **Mounting** **TRI-PACK** — regular, top jamb and parallel arm applications.
- **Main Arm** Forged steel, accommodates reveals up to 3 1/4", adjustable extension arm
- **Spring Power** Adjustable 1 - 6 sizes
- **Backcheck** Adjustable, hydraulic - providing cushioning and preventing uncontrolled openings of the door
- **Valves** Adjustable, independent, non-critical (sweep and latch), consistent closing speeds
- **Fasteners** Metal screws included for hollow metal and aluminum mounting applications. Wood screws included for wood door mounting applications. Closers are packed with thru-bolts.
- **Door Range** Up to 180 degrees
- **Door Preparation** 5" horizontal and 2-1/4" vertical mounting hole locations (retrofits traditional closer)
- **Warranty** 25 year limited

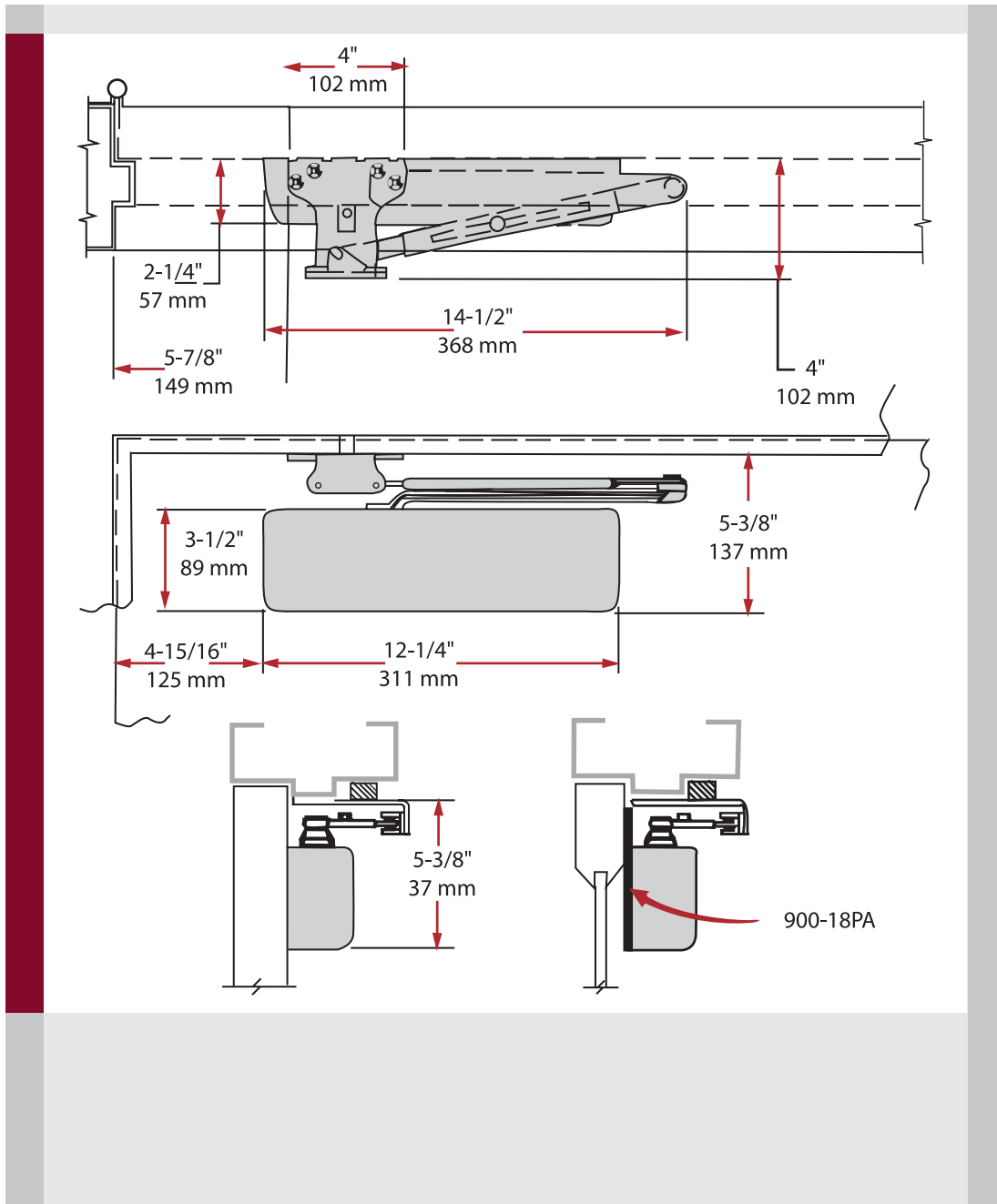
### Optional Features

- **Covers** High impact plastic and plated kit: cover, arm & bracket
- **Other Features** Refer to Arm Option and Accessories pages for more optional features



## 900 Series Application Drawings:

### Parallel Arm (Push Side) Mounting

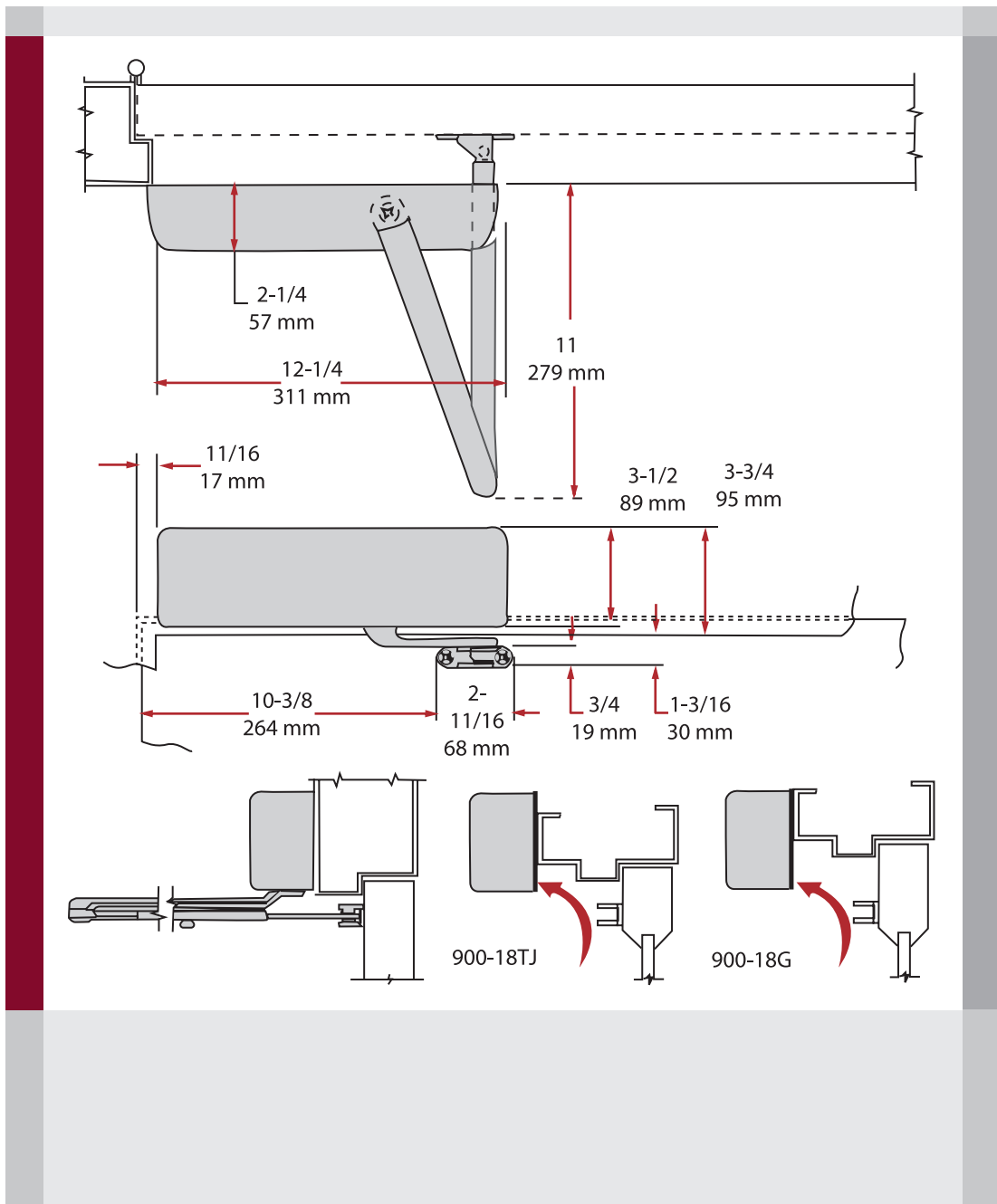






## 900 Series Application Drawings:

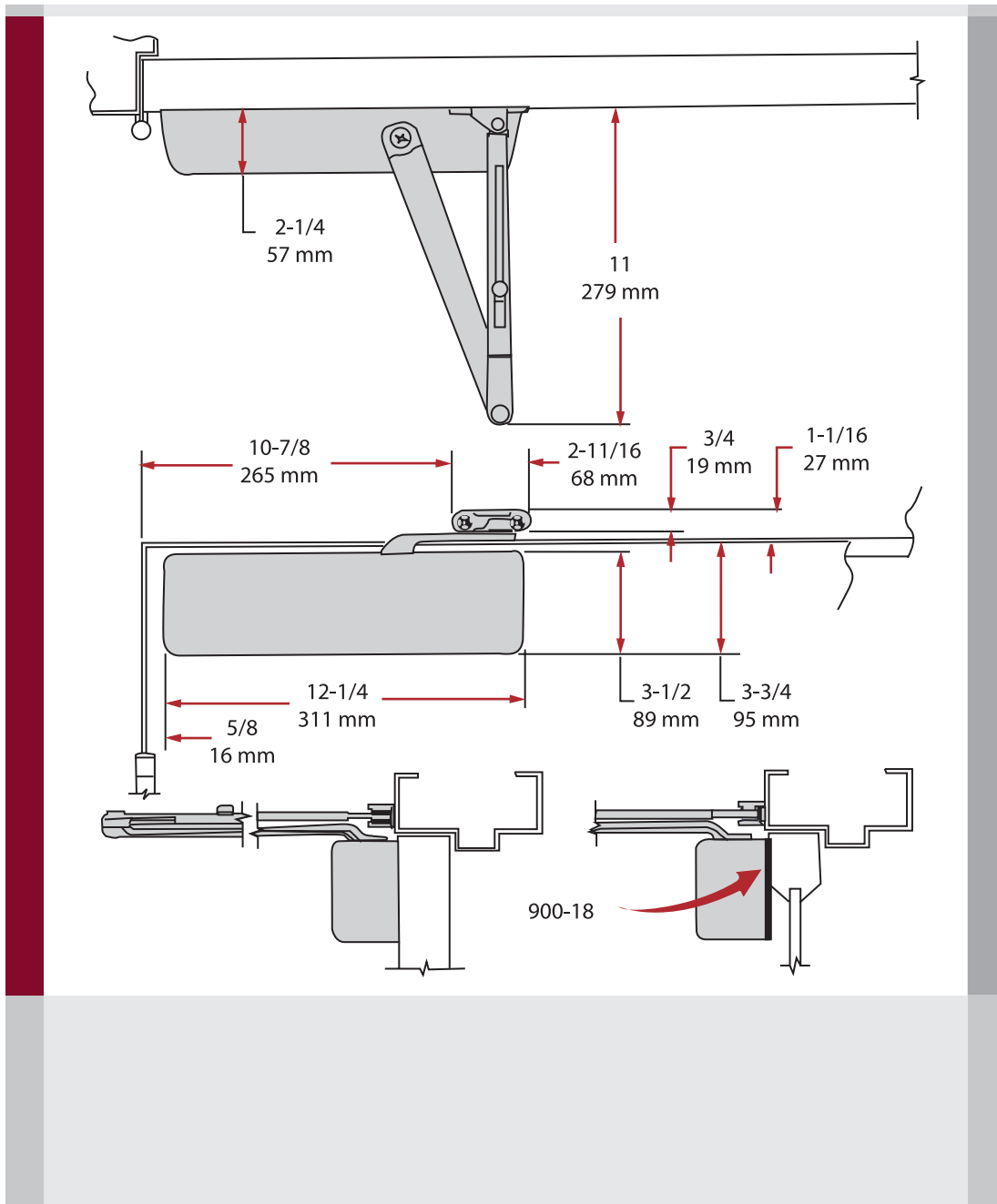
### Top Jamb (Push Side) Mounting





## 900 Series Application Drawings:

### Regular (Pull Side) Mounting





## 900 Series Standard Feature:

### Cover, (Standard)

#### DC100257 (AL)

Standard, non-handed high impact plastic cover.  
Available for all painted finishes.



## 900 Series Arm Options:

### Regular Arm, (Standard)

#### DC100191 (AL)

#### DC100212 (Duro)

Non-handed arm used to mount for regular, top jamb and with parallel arm bracket. Solid steel forged main arm with slide connecting arm to handle reveals up to 3-1/4" inches.



### Hold Open Arm, (HO)

#### DC100138 (AL)

#### DC100139 (Duro)

Optional, non-handed hold open arm and can be mounted regular, top jamb and parallel arm\*.

\*PA bracket optional



### Heavy Duty Parallel Arm, (SP)

#### DC100124 (AL)

#### DC100144 (Duro)

Optional, non-handed heavy-duty parallel arm features forged steel main arm and forearm for abusive conditions.



**NOTE: AL=Aluminum, Duro=Duranodic**



## 900 Series Arm Options:

### Dead Stop Arm, (DS)

#### DC100193 (AL)

Optional, non-handed heavy-duty parallel arm features forged steel main arm and forearm with positive dead stop built into soffit plate.



### Heavy Duty Dead Stop Hold Open Arm, (DSH)

#### DC100181 (AL)

#### DC100190 (Duro)

Optional, handed hold open heavy duty parallel arm features forged steel main arm and forearm with positive dead stop built into soffit plate.



## 900 Series Options:

### Plated Kit

#### DC100184 (US3)

#### DC100185 (US26)

#### DC100200 (US26D)

Optional Plated Kit includes non-handed full metal cover, regular arm, parallel arm bracket and all fasteners in matching plated finish



NOTE: AL=Aluminum, Duro=Duranodic, US26=Bright Chrome, US26D=Satin Chrome



## 900 Series Accessories:

### Regular Mount Plate

**DC100141 (AL)**

**DC100140 (Duro)**

Optional drop plate to mount closer parallel arm where top rail of door is less than 5-1/2" measured from the stop. Minimum top rail on door of 2" required.



**DC100142 (Duro)**

Optional drop plate to mount closer parallel arm where top rail of door is less than 5-1/2" measured from the stop. Minimum top rail on door of 2" required.



### Drop Plate

**DC100210 (AL)**

**DC100227 (Duro)**

Optional drop plate to mount closer on top jamb application where ceiling is flush with top of frame. Requires minimum 1-3/4" frame face.



### Friction Hold Open "L" Bracket, (FHO)

**DC100225 (AL)**

Used when mounting parallel arm or friction hold open (FHO) arm



### Sex Nuts:

**SNB1**

**DC100222 (AL)**

**DC100095 (Duro)**

**SNB1** — Sex nuts with machine screws for 1-3/4" (44 mm) door.

**SNB2**

**DC100089 (AL)**

**DC100203 (Duro)**

**SNB2** — Sex nuts with machine screws for 1-3/8" (35 mm) door.



NOTE: AL=Aluminum, Duro=Duranodic



## 900 Series Cross Reference Chart:

TELL	CAL-ROYAL	DORMA	LCN	NORTON	SARGENT	YALE
900	CR441*	8916 AF	4040*	7500	281	4400

**NOTE:** This chart has been prepared by comparing functions of door closers. Since no products are exactly alike, the data on this chart represents our judgement of which products are most similar. Because information has been obtained from trade sources, it is not guaranteed nor represented that any specific product exactly equals any other product.

\* RETROFIT INSTALLATION HOLE FOR HOLE

## 900 Series Door Sizing Chart:

Door Sizing Chart	DOOR WIDTH							
	24" min. 610mm	30" max. 762mm	36" max. 914mm	42" max. 1067mm	48" max. 1219mm	54" max. 1372mm	60" max. 1523mm	
<b>CLOSER</b>								
900	Interior	✓	✓	♿	♿	✓	✓	✓
	Exterior	✓	✓	♿	✓	✓	N/A	N/A

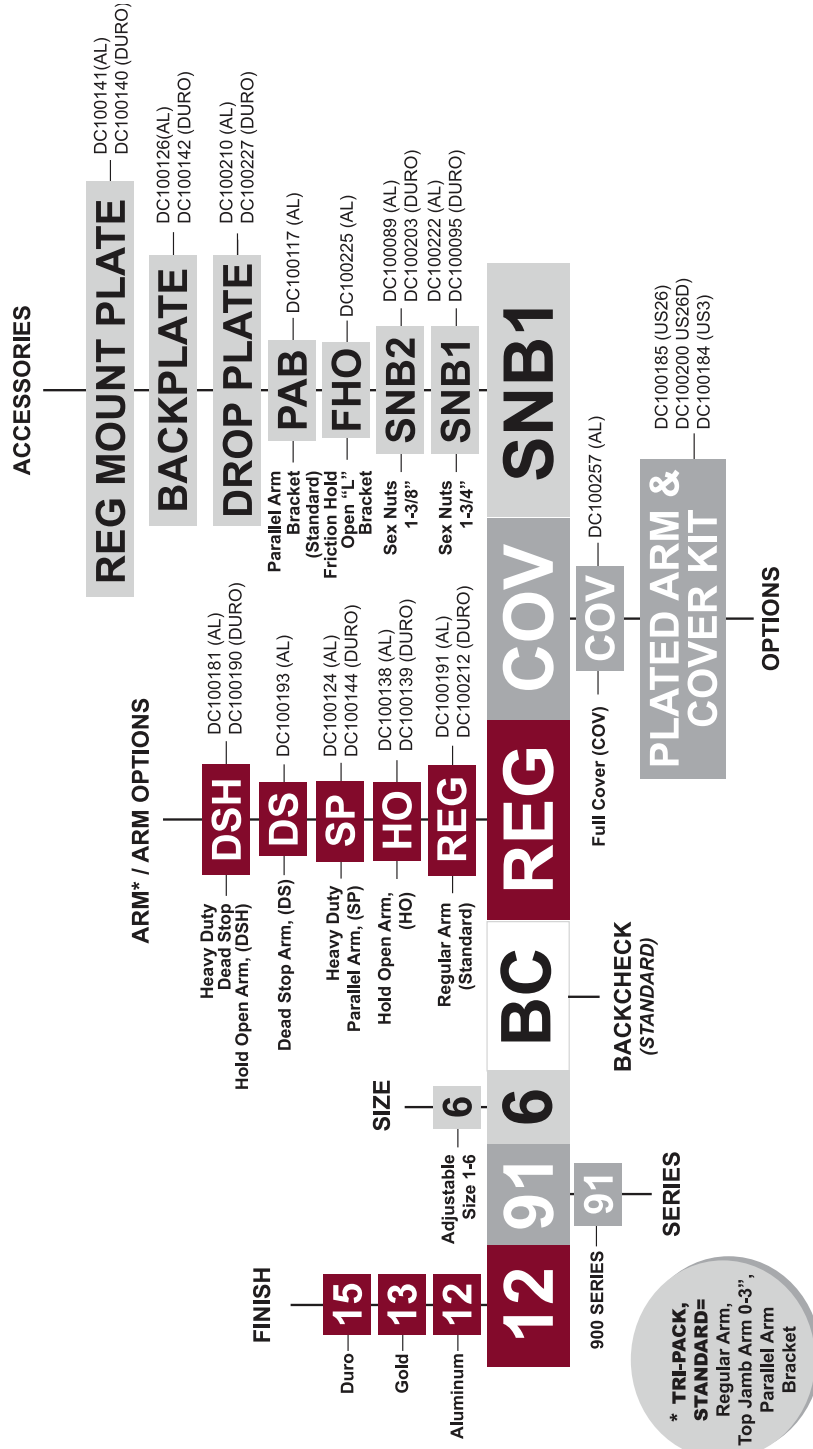
✓ = Recommended

N/A = Not applicable or recommended

♿ = Opening force 5 lbs. on interior and 8.5 lbs. on exterior doors



# How to Order 900 Series:



# 1000 SERIES

## Residential Closer

1000 Series (Brown)



1000 Series (Ivory)



### 1000 Series Standard Features:

- **Chassis/Closer** Non-handed, size 1 only, fits doors 24" to 30" wide, weighing 30 to 65 pounds.
- **Valves** Adjustable closing speed
- **Finishes** Two painted finishes, ivory and brown
- **Arm** Friction Hold Open (FHO) available on select models

# 2000 SERIES

## Light Commercial Residential Closer

2000 Series (Brown)



2000 Series (Ivory)



### 2000 Series Standard Features:

- **Chassis/Closer** Non-handed, size 3 only, fits doors 34" to 38" wide, weighing 85 to 120 pounds.
- **Valves** Adjustable closing speed
- **Finishes** Two painted finishes, ivory and brown
- **Arm** Friction Hold Open (FHO) available on select models





## How to Order 1000/2000 Series:

<b>PART NO.</b>	<b>DESCRIPTION</b>	<b>COLOR</b>	<b>ARM FEATURES</b>	<b>APPLICATION</b>
<b>1000 SERIES:</b>				
<b>DC100082</b>	11186	Ivory	<b>FRICTION HOLD OPEN (FHO)</b>	Standard / Parallel
<b>DC100080</b>	11184	Brown	<b>FRICTION HOLD OPEN (FHO)</b>	Standard / Parallel
DC100079	10175	Brown	—	Standard / Parallel
DC100081	10173	Ivory	—	Standard / Parallel
<b>2000 SERIES:</b>				
<b>DC100077</b>	20675	Brown	<b>FRICTION HOLD OPEN (FHO)</b>	Top Jamb / Standard
<b>DC100078</b>	20673	Ivory	<b>FRICTION HOLD OPEN (FHO)</b>	Top Jamb / Standard
DC100083	20375	Brown	—	Top Jamb / Standard
DC100084	20373	Ivory	—	Top Jamb / Standard

**NOTE:** Please check application before purchase to ensure proper fit.



Exit Devices  
Red Tab









Exit Devices  
Red Tab back



COMMERCIAL DOORS & HARDWARE

# table of contents

## EXIT DEVICES

	PAGE	
7300 Rim Exit Device	1	
7400 Series Surface Vertical Rod	5	
8300 Rim Exit Device	9	
8300 Series with Alarm	10	
8400 Series Surface Vertical Rod	15	
9500 Series Rim Exit Device	19	
9400 Series Surface Vertical Rod	23	
9100 Series Mortise Lock Exit Device	27	





# 7300 SERIES

## Commercial Duty Grade 1 Rim Exit Devices



### Standard Features

- **Performance** Complies with ANSI A156.3, 1994, Grade 1, UL/ULC listed
- **Rail** Fits 28" to 36" doors
- **Latch** Stainless steel 5/8" throw
- **Backset** 2-3/4"
- **Strike** Adjustable with slotted holes for adjustments
- **Standard Cylinder** Standard cylinder Schlage (SCC) - 6-pin solid brass, C keyway, keyed different (KD).
- **Fasteners** Accommodates wood or metal doors
- **Door Range** 1-3/4" to 2" thickness
- **Door Preparation** Surface mounted
- **Warranty** 10 year limited

### Optional Features

- **Exterior Trim** Exterior blank pull, exterior pull with cylinder cut out, entry ball knob trim, storeroom ball knob trim, entry lever trim without clutch, exterior thumbpiece trim, pull trim with rim cylinder, exterior escutcheon lever trim, heavy-duty escutcheon entry lever trim
- **UL Listed** 3 hour fire rated device available
- **Fire Rated** UL labeled fire rated device available for use on doors rated up to 3 hours. Fire rated device also available for larger doors up to a maximum of 4' x 8'. Specify when ordering.
- **Strikes** Other strikes available

### Keying Options for Select Knob and Lever Trim

- **Tell Cylinder** Restricted Tell keyway cylinder can key both the cylinder and interchangeable core in one lock. The cylinders and IC cores are interchangeable. Tell keyway cylinder is available **only** keyed to 6-pin. Tell IC cylinder can be keyed to 6-pin or 7-pin interchangeable core (IC).
- **Other Cylinder Options** Arrow A (ARA), Corbin 59A1 (C059A1), Corbin 60 (C06), Corbin Russwin L4 (CL4), Kwikset (KW1), Russwin D1 (RD1), Sargent LA (SAL), Schlage E (SCE), Schlage F (SCF), Weiser E (WRE), Yale 8 (YA8), Yale GA (YGA)  
**ALL CYLINDERS 6-PIN. CAN ALSO BE PINNED 5-PIN.**
- **IC Keyway Cylinder** Tell, Best A (BA), Best B (BB), Best C (BC), Best D (BD), Best E (BE), Best F (BF), Best G (BG), Best H (BH), Best J (BJ), Best K (BK), Best L (BL), Best M (BM), Best Q (BQ), Best  
**AVAILABLE 6- OR 7-PIN**
- **Keying Options** Grand master key (GMK), construction master key (CMK), master key (MK), keyed different (KD), keyed alike (KA), interchangeable core uncombined (IC), 0-bitted (OBT)



## 7300 Series Accessories

### Non-Restricted Keyway

**FOR KNOB TRIM (EMP), LEVER TRIM (CTL)**

**CL100219** —  
Cylinder, Schlage C, US26D

**CL100584** —  
Cylinder, Schlage C, US4  
Standard brass 6-pin cylinder  
SCC keyway, optional keyways  
available, (see price list).



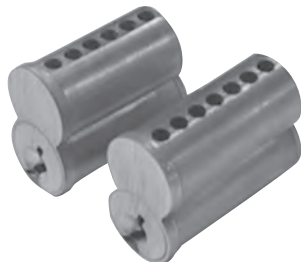
**CL100268** —  
IC Core Best A 6 Pin, US26D

**CL100270** —  
IC Core Best A 7 Pin, US26D

**CL100269** —  
IC Core Best A 6 Pin, US4

**CL100271** —  
IC Core Best A 7 Pin, US4

Small format interchangeable core  
brass cylinder 6-pin standard, 7-pin  
available. Best "A" keyway standard.



### Tell Restricted Keyway

**FOR LEVER TRIM (CTL), THUMBPIECE TRIM (TP81), ESCUTCHEON LEVER TRIM (ESC), HEAVY-DUTY ESCUTCHEON ENTRY LEVER TRIM (ESCHD), PULL TRIM (PT881)**

#### TELL CYLINDERS:

**CL101503** —  
6 pin Tell cylinder, US26D

**CL101504** —  
6 pin Tell cylinder, US4



#### TELL INTERCHANGEABLE

##### CORES:

**CL101499** —  
6 pin Tell IC core, US26D

**CL101500** —  
6 pin Tell IC core, US4

**CL101501** —  
7 pin Tell IC core, US26D

**CL101502** —  
7 pin Tell IC core, US4



### 416 Strike

Standard strike for rim  
7300. Slotted holes for  
easy adjustment. Black  
powder coated finish.



### Glass Shim Plate

**EX100050**

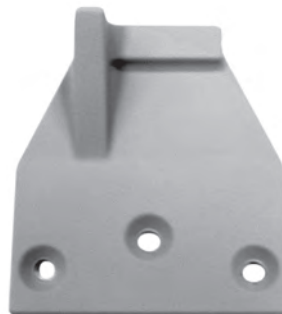
Shim plate standard 1/8"



### Overlapping Strike

**EX100007 (US32D)**

Optional strike used on inactive  
door when pairs of doors require rim  
7300 on active door.



FINISHES: US26D=Satin Chrome, US4=Satin Brass





## 7300 Series Trim

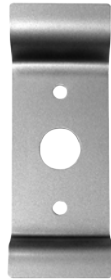
### 8PDT

**EX100013 (AL)**  
Exterior blank pull.



### 8P03

**EX100014 (AL)**  
Exterior pull with cylinder cut out.



### TP81

**EX100008 (AL)**  
Exterior thumbpiece trim, includes 1-1/4" mortise cylinder SCC



### EMP808

**EX100010 (entry, US32D)**

### EMP875

**EX100011 (passage, US32D)**

### EMP886

**EX100012 (storeroom, US32D)**

Exterior sectional ball knob trim.



### PT881

**EX100090 (AL)**  
Pull trim with rim cylinder



### CTL / Lever Trim (w/out clutch)

**EX100005 (entry, US26D)\***

**EX100006 (passage, US26D)**

**EX100038 (storeroom, US26D)**

Exterior sectional lever trim.



### ESC / Escutcheon Trim

**EX100054 (entry, US26D)**

**EX100056 (passage, US26D)**

**EX100055 (storeroom, US26D)**

**EX100057 (dummy, US26D)**

Exterior escutcheon free wheeling lever trim, includes 1-1/4" mortise cylinder SCC



### ESCHD / Escutcheon Trim, Heavy-Duty

**EX100303 (entry, US32D)**

*\*-03 Storeroom function available, consult customer service.*

*Requires EX100336 cam.*

Exterior heavy-duty escutcheon free wheeling lever trim, includes 1-1/4" mortise cylinder SCC



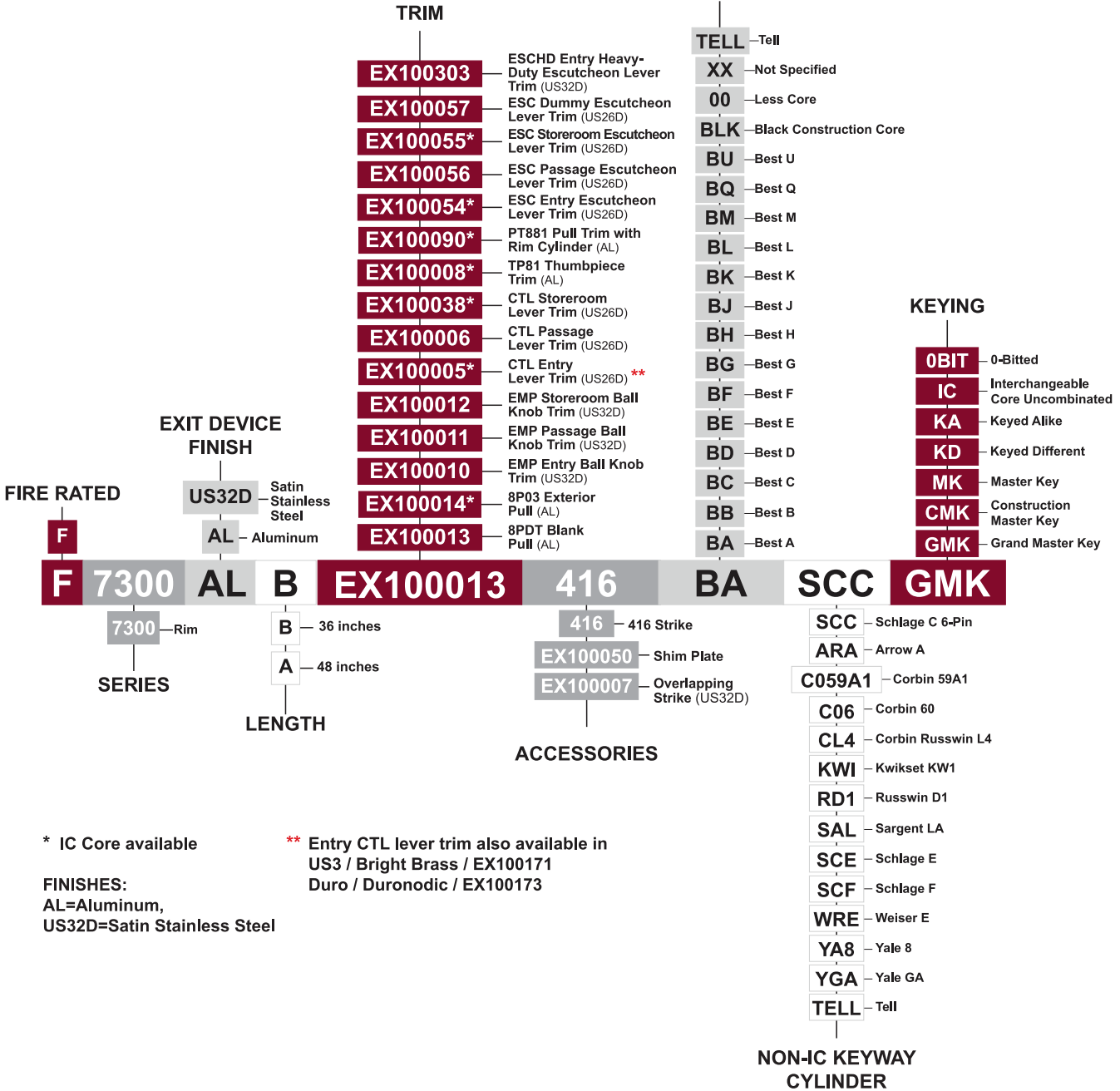
*\*Entry CTL lever trim also available in US3 / Bright Brass / EX100171 Duro / Duronodic / EX100173*

NOTE: AL=Aluminum, US32D=Satin Stainless Steel, US26D=Satin Chrome



# How To Order 7300 Series

## IC KEYWAY CYLINDER AVAILABLE 6- OR 7-PIN



\* IC Core available

\*\* Entry CTL lever trim also available in US3 / Bright Brass / EX100171 Duro / Duronodic / EX100173

**FINISHES:**  
AL=Aluminum,  
US32D=Satin Stainless Steel

ALL CYLINDERS AVAILABLE 6-PIN. CAN ALSO BE PINNED 5-PIN.  
TELL KEYWAY CYLINDER IS AVAILABLE ONLY KEYED TO 6-PIN.



# 7400 SERIES

## Commercial Surface Grade 1 Vertical Rod Exit Device



### Standard Features

- Performance
- Rail
- Latch
- Backset
- Strike
- Standard Cylinder

- Fasteners
- Door Range
- Door Preparation
- Warranty

### Optional Features

- Rail
- Exterior Trim

Complies with ANSI A156.3, 1994, Grade 1, UL/ULC listed  
Fits 28" to 36" doors. Easily field sizeable.  
Pullman latch bolts top and bottom stainless steel 1/2" throw  
2-3/4"  
Adjustable with slotted holes for adjustments  
Standard cylinder Schlage (SCC) - 6-pin solid brass, C  
keyway, keyed different (KD).  
Accommodates wood or metal doors  
1-3/4" to 2" thickness  
Surface mounted  
10 year limited

Models fit 36" or 48" wide doors  
Exterior blank pull, exterior pull with cylinder cut out, entry ball  
knob trim, storeroom ball knob trim, entry lever trim without  
clutch, exterior thumbpiece trim, pull trim with rim cylinder,  
exterior escutcheon lever trim, heavy-duty escutcheon entry  
lever trim

- UL Listed
- Fire Rated

3 hour fire rated device available  
UL labeled fire rated device available. Fire rated device also  
available for larger doors up to a maximum of 4' x 8'. Specify  
when ordering.

- Strikes

Other strikes available

### Keying Options for Select Knob and Lever Trim

- Tell Cylinder

Restricted Tell keyway cylinder can key both the cylinder and  
interchangeable core in one lock. The cylinders and IC cores  
are interchangeable. Tell keyway cylinder is available only  
keyed to 6-pin. Tell IC cylinder can be keyed to 6-pin or  
7-pin interchangeable core (IC).

- Other Cylinder  
Options

Arrow A (ARA), Corbin 59A1 (C059A1), Corbin 60 (C06),  
Corbin Russwin L4 (CL4), Kwikset (KW1), Russwin D1  
(RD1), Sargent LA (SAL), Schlage E (SCE), Schlage F  
(SCF), Weiser E (WRE), Yale 8 (YA8), Yale GA (YGA)

### ALL CYLINDERS 6-PIN. CAN ALSO BE PINNED 5-PIN.

- IC Keyway Cylinder  
AVAILABLE 6- OR 7-PIN

Tell, Best A (BA), Best B (BB), Best C (BC), Best D (BD),  
Best E (BE), Best F (BF), Best G (BG), Best H (BH), Best J  
(BJ), Best K (BK), Best L (BL), Best M (BM), Best Q (BQ), Best  
Grand master key (GMK), construction master key (CMK),  
master key (MK), keyed different (KD), keyed alike (KA),  
interchangeable core uncombined (IC), 0-bitted (OBIT)

- Keying Options



## 7400 Series Accessories

### Non-Restricted Keyway

**FOR KNOB TRIM (EMP),  
LEVER TRIM (CTL)**

**CL100219 —  
Cylinder, Schlage C, US26D**

**CL100584 —  
Cylinder, Schlage C, US4**  
Standard brass 6-pin cylinder  
SCC keyway, optional keyways  
available, (see price list).

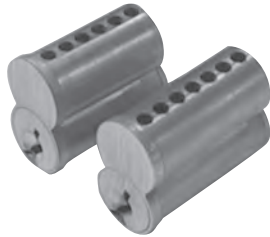


**CL100268 —  
IC Core Best A 6 Pin, US26D**

**CL100270 —  
IC Core Best A 7 Pin, US26D**

**CL100269 —  
IC Core Best A 6 Pin, US4**

**CL100271 —  
IC Core Best A 7 Pin, US4**  
Small format interchangeable core  
brass cylinder 6-pin standard, 7-pin  
available. Best "A" keyway standard.



### Tell Restricted Keyway

**FOR LEVER TRIM (CTL), THUMBPIECE  
TRIM (TP81), ESCUTCHEON LEVER  
TRIM (ESC), HEAVY-DUTY ESCUTCHEON  
ENTRY LEVER TRIM (ESCHD), PULL TRIM  
(PT881)**

#### TELL CYLINDERS:

**CL101503 —  
6 pin Tell cylinder, US26D**

**CL101504 —  
6 pin Tell cylinder, US4**



#### TELL INTERCHANGEABLE CORES:

**CL101499 —  
6 pin Tell IC core, US26D**

**CL101500 —  
6 pin Tell IC core, US4**

**CL101501 —  
7 pin Tell IC core, US26D**

**CL101502 —  
7 pin Tell IC core, US4**





## 7400 Series Trim

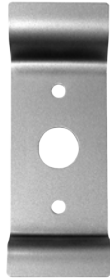
### 8PDT

**EX100013 (AL)**  
Exterior blank pull.



### 8P03

**EX100014 (AL)**  
Exterior pull with cylinder cut out.



### TP81

**EX100008 (AL)**  
Exterior thumbpiece trim, includes 1-1/4" mortise cylinder SCC



### EMP808

**EX100010 (entry, US32D)**

### EMP875

**EX100011 (passage, US32D)**

### EMP886

**EX100012 (storeroom, US32D)**

Exterior sectional ball knob trim.



### PT881

**EX100090 (AL)**  
Pull trim with rim cylinder



### CTL / Lever Trim (w/out clutch)

**EX100005 (entry, US26D)\***  
**EX100006 (passage, US26D)**  
**EX100038 (storeroom, US26D)**  
Exterior sectional lever trim.



*\*Entry CTL lever trim also available in US3 / Bright Brass / EX100171 Duro / Duronodic / EX100173*

### ESC / Escutcheon Trim

**EX100054 (entry, US26D)**  
**EX100056 (passage, US26D)**  
**EX100055 (storeroom, US26D)**  
**EX100057 (dummy, US26D)**  
Exterior escutcheon free wheeling lever trim, includes 1-1/4" mortise cylinder SCC



### ESCHD / Escutcheon Trim, Heavy-Duty

**EX100303 (entry, US32D)**  
*\*-03 Storeroom function available, consult customer service. Requires EX100336 cam.*  
Exterior heavy-duty escutcheon free wheeling lever trim, includes 1-1/4" mortise cylinder SCC



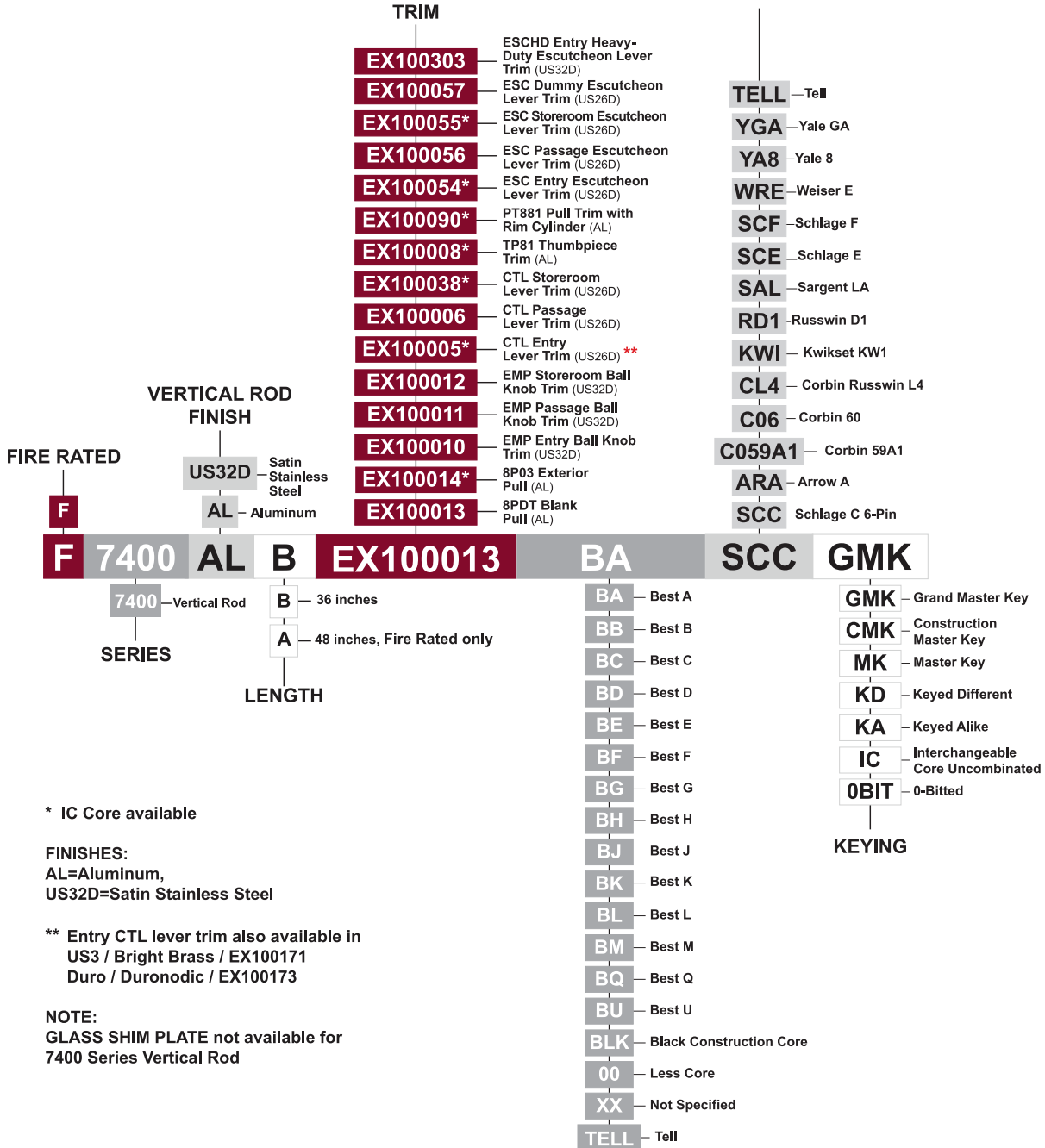
NOTE: AL=Aluminum, US32D=Satin Stainless Steel, US26D=Satin Chrome



# How To Order 7400 Series

NON-IC KEYWAY CYLINDER

ALL CYLINDERS AVAILABLE 6-PIN. CAN ALSO BE PINNED 5-PIN.  
TELL KEYWAY CYLINDER IS AVAILABLE ONLY KEYED TO 6-PIN.



\* IC Core available

FINISHES:  
AL=Aluminum,  
US32D=Satin Stainless Steel

\*\* Entry CTL lever trim also available in  
US3 / Bright Brass / EX100171  
Duro / Duronodic / EX100173

NOTE:  
GLASS SHIM PLATE not available for  
7400 Series Vertical Rod

IC KEYWAY CYLINDER  
AVAILABLE 6- OR 7-PIN



# 8300 SERIES

## Heavy-Duty Commercial Grade 1 Rim Exit Devices



### Standard Features

- **Performance** Complies with ANSI A156.3, 1994, Grade 1, UL/ULC listed
- **Rail** Fits 28" to 36" doors
- **Latch** Stainless steel 5/8" throw
- **Backset** 2-3/4"
- **Strike** Adjustable with slotted holes for adjustments
- **Standard Cylinder** Standard cylinder Schlage (SCC) - 6-pin solid brass, C keyway, keyed different (KD).
- **Fasteners** Accommodates wood or metal doors
- **Door Range** 1-3/4" to 2" thickness
- **Door Preparation** Surface mounted
- **Warranty** 10 year limited

### Optional Features

- **Exterior Trim** Exterior blank pull, exterior pull with cylinder cut out, entry ball knob trim, storeroom ball knob trim, entry lever trim without clutch, exterior thumbpiece trim, pull trim with rim cylinder, exterior escutcheon lever trim, heavy-duty escutcheon entry lever trim
- **UL Listed** 3 hour fire rated device available
- **Fire Rated** UL labeled fire rated device available for use on doors rated up to 3 hours. Fire rated device also available for larger doors up to a maximum of 4' x 8'. Specify when ordering.
- **Strikes** Other strikes available

### Keying Options for Select Knob and Lever Trim

- **Tell Cylinder** Restricted Tell keyway cylinder can key both the cylinder and interchangeable core in one lock. The cylinders and IC cores are interchangeable. Tell keyway cylinder is available **only** keyed to 6-pin. Tell IC cylinder can be keyed to 6-pin or 7-pin interchangeable core (IC).
- **Other Cylinder Options** Arrow A (ARA), Corbin 59A1 (C059A1), Corbin 60 (C06), Corbin Russwin L4 (CL4), Kwikset (KW1), Russwin D1 (RD1), Sargent LA (SAL), Schlage E (SCE), Schlage F (SCF), Weiser E (WRE), Yale 8 (YA8), Yale GA (YGA)  
**ALL CYLINDERS 6-PIN. CAN ALSO BE PINNED 5-PIN.**
- **IC Keyway Cylinder** Tell, Best A (BA), Best B (BB), Best C (BC), Best D (BD), Best E (BE), Best F (BF), Best G (BG), Best H (BH), Best J (BJ), Best K (BK), Best L (BL), Best M (BM), Best Q (BQ), Best  
**AVAILABLE 6- OR 7-PIN**
- **Keying Options** Grand master key (GMK), construction master key (CMK), master key (MK), keyed different (KD), keyed alike (KA), interchangeable core uncombined (IC), 0-bitted (OBIT)



# 8300 SERIES with ALARM



## Standard Features

- **Performance** Complies with ANSI A156.3, 1994, Grade 1
- **Rail** Fits 36" doors ~ \* **cannot be cut down.**
- **Latch** Stainless steel 5/8" throw
- **Backset** 2-3/4"
- **Strike** Adjustable with slotted holes for adjustments
- **Standard Cylinder** Standard cylinder Schlage (SCC) - 6-pin solid brass, C keyway, keyed different (KD).
- **Fasteners** Accommodates wood or metal doors
- **Door Range** 1-3/4" to 2" thickness
- **Door Preparation** Surface mounted
- **Warranty** 10 year limited for device; 1 year for electronics

## Alarm Features

- **Horn** Alarm unit has an internal horn. When the push rail is depressed, the horn sounds to provide an audible means of signaling that the door has been opened and violated.
- **Cut Off Feature** The unit has changeable 2 minute alarm cutoff or manual reset. It is preset at factory for 2 minute alarm cut off.
- **Jumper Cable** Jumper cable is provided to switch to continuous alarm.
- **Key** The key switch to turn the alarm off is a standard 1 1/4" **mortise cylinder** with "C" keyway. The alarm operates on one standard 9 volt transistor battery. When battery is weak the horn will emit an intermittent signal.
- **Switches** Alarmed units are supplied with two switches. One switch monitors the push rail and the other switch monitors the latchbolt for fool proof security.
- **Decal** Unit includes "Emergency exit only, Alarm will sound" decal for application on door or unit.

## Keying Options for Select Knob and Lever Trim

- **Tell Cylinder** Restricted Tell keyway cylinder can key both the cylinder and interchangeable core in one lock. The cylinders and IC cores are interchangeable. Tell keyway cylinder is available **only** keyed to 6-pin. Tell IC cylinder can be keyed to 6-pin or 7-pin interchangeable core (IC).
- **Other Cylinder Options** Arrow A (ARA), Corbin 59A1 (C059A1), Corbin 60 (C06), Corbin Russwin L4 (CL4), Kwikset (KW1), Russwin D1 (RD1), Sargent LA (SAL), Schlage E (SCE), Schlage F (SCF), Weiser E (WRE), Yale 8 (YA8), Yale GA (YGA)  
**ALL CYLINDERS 6-PIN. CAN ALSO BE PINNED 5-PIN.**
- **IC Keyway Cylinder** Tell, Best A (BA), Best B (BB), Best C (BC), Best D (BD), Best E (BE), Best F (BF), Best G (BG), Best H (BH), Best J (BJ), Best K (BK), Best L (BL), Best M (BM), Best Q (BQ), Best  
**AVAILABLE 6- OR 7-PIN**
- **Keying Options** Grand master key (GMK), construction master key (CMK), master key (MK), keyed different (KD), keyed alike (KA), interchangeable core uncombined (IC), 0-bitted (0BIT)





## 8300 Series Accessories

### Non-Restricted Keyway

FOR KNOB TRIM (EMP), LEVER TRIM (CTL)



### Tell Restricted Keyway

FOR LEVER TRIM (CTL), THUMBPIECE TRIM (TP81), ESCUTCHEON LEVER TRIM (ESC) HEAVY-DUTY ESCUTCHEON ENTRY LEVER TRIM (ESCHD), PULL TRIM (PT881)

**CL100219** —  
Cylinder, Schlage C, US26D

**CL100584** —  
Cylinder, Schlage C, US4  
Standard brass 6-pin cylinder  
SCC keyway, optional keyways  
available, (see price list).



**CL100268** —  
IC Core Best A 6 Pin, US26D

**CL100270** —  
IC Core Best A 7 Pin, US26D

**CL100269** —  
IC Core Best A 6 Pin, US4

**CL100271** —  
IC Core Best A 7 Pin, US4

Small format interchangeable core  
brass cylinder 6-pin standard, 7-pin  
available. Best "A" keyway standard.



#### TELL CYLINDERS:

**CL101503** —  
6 pin Tell cylinder, US26D

**CL101504** —  
6 pin Tell cylinder, US4



#### TELL INTERCHANGEABLE CORES:

**CL101499** —  
6 pin Tell IC core, US26D

**CL101500** —  
6 pin Tell IC core, US4

**CL101501** —  
7 pin Tell IC core, US26D

**CL101502** —  
7 pin Tell IC core, US4



FINISHES: US26D=Satin Chrome, US4=Satin Brass



## 8300 Series Trim

### 8PDT

EX100013 (AL)

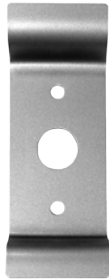
Exterior blank pull.



### 8P03

EX100014 (AL)

Exterior pull with cylinder cut out.



### TP81

EX100008 (AL)

Exterior thumbpiece trim, includes 1-1/4" mortise cylinder SCC



### EMP808

EX100010 (entry, US32D)

### EMP875

EX100011 (passage, US32D)

### EMP886

EX100012 (storeroom, US32D)

Exterior sectional ball knob trim.



### PT881

EX100090 (AL)

Pull trim with rim cylinder



### CTL / Lever Trim (w/out clutch)

EX100005 (entry, US26D)\*

EX100006 (passage, US26D)

EX100038 (storeroom, US26D)

Exterior sectional lever trim.



### ESC / Escutcheon Trim

EX100054 (entry, US26D)

EX100056 (passage, US26D)

EX100055 (storeroom, US26D)

EX100057 (dummy, US26D)

Exterior escutcheon free wheeling lever trim, includes 1-1/4" mortise cylinder SCC



### ESCHD / Escutcheon Trim, Heavy-Duty

EX100303 (entry, US32D)

\*-03 Storeroom function available, consult customer service.

Requires EX100336 cam.

Exterior heavy-duty escutcheon free wheeling lever trim,

includes

1-1/4" mortise cylinder SCC



\*Entry CTL lever trim also available in

US3 / Bright Brass / EX100171

Duro / Duronodic / EX100173

NOTE: AL=Aluminum, US32D=Satin Stainless Steel, US26D=Satin Chrome



## 8300 Series Accessories

### 416 Strike

Standard strike for rim 8300. Slotted holes for easy adjustment. Black powder coated finish.



### Glass Shim Plate

**EX100050**

Shim plate standard 1/8"



### Overlapping Strike

**EX100007 (US32D)**

Optional strike used on inactive door when pairs of doors require rim 8300 on active door.

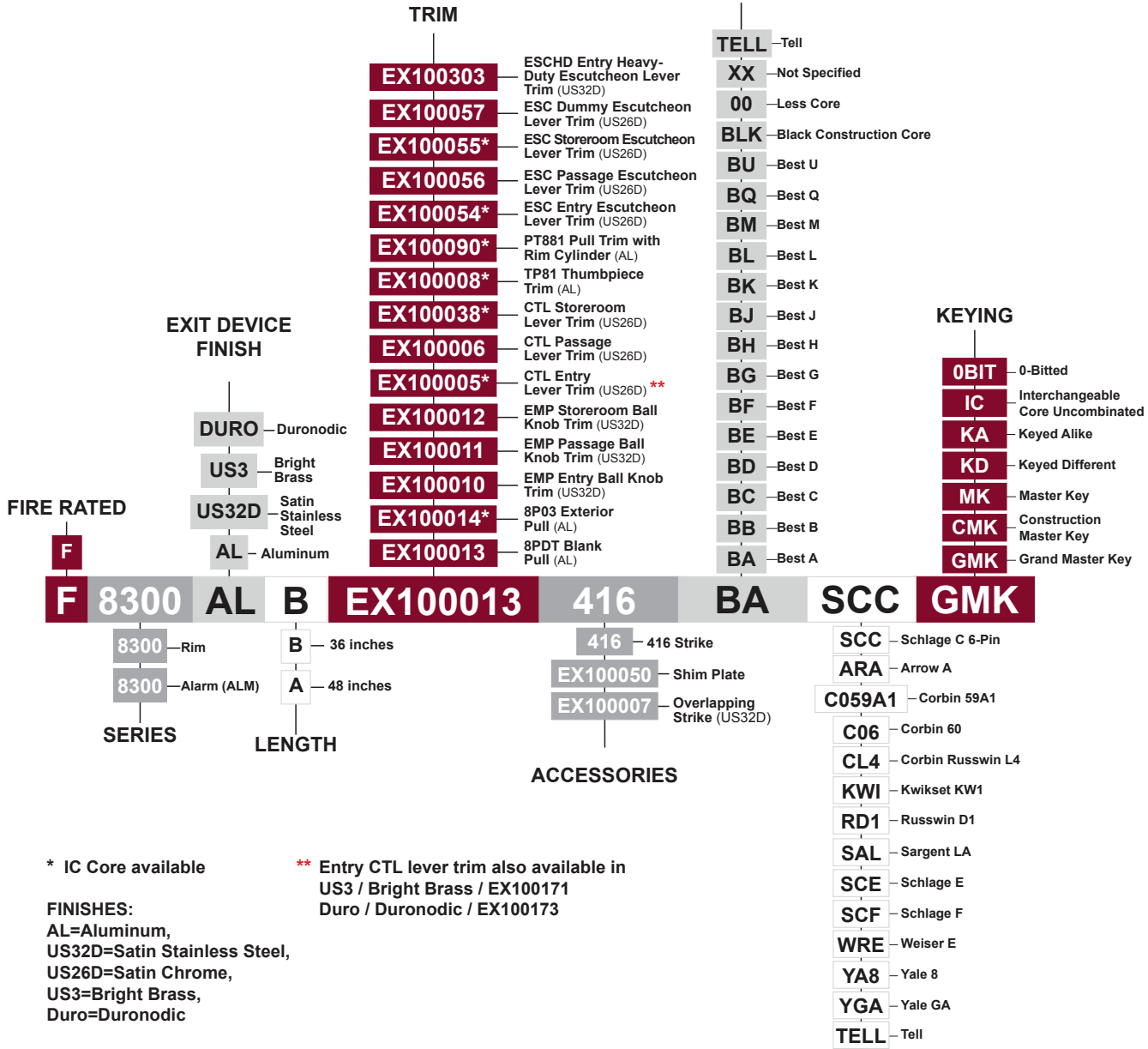


NOTE: US32D=Satin Stainless Steel



# How To Order 8300 Series

## IC KEYWAY CYLINDER AVAILABLE 6- OR 7-PIN



\* IC Core available

\*\* Entry CTL lever trim also available in US3 / Bright Brass / EX100171 Duro / Duronodic / EX100173

**FINISHES:**  
AL=Aluminum,  
US32D=Satin Stainless Steel,  
US26D=Satin Chrome,  
US3=Bright Brass,  
Duro=Duronodic

ALL CYLINDERS AVAILABLE 6-PIN. CAN ALSO BE PINNED 5-PIN.  
TELL KEYWAY CYLINDER IS AVAILABLE ONLY KEYED TO 6-PIN.



# 8400 SERIES

## Heavy-Duty Commercial Grade 1 Surface Vertical Rod



### Standard Features

- **Performance** Complies with ANSI A156.3, 1994, Grade 1, UL/ULC listed
- **Rail** Fits 28" to 36" doors. Easily field sizeable.
- **Latch** Pullman latch bolts top and bottom stainless steel 1/2" throw
- **Backset** 2-3/4"
- **Strike** Adjustable with slotted holes for adjustments
- **Standard Cylinder** Standard cylinder Schlage (SCC) - 6-pin solid brass, C keyway, keyed different (KD).
- **Fasteners** Accommodates wood or metal doors
- **Door Range** 1-3/4" to 2" thickness
- **Door Preparation** Surface mounted
- **Warranty** 10 year limited

### Optional Features

- **Rail** Fits 48" door, only available fire rated.
- **Exterior Trim** Exterior blank pull, exterior pull with cylinder cut out, entry ball knob trim, storeroom ball knob trim, entry lever trim without clutch, exterior thumbpiece trim, pull trim with rim cylinder, exterior escutcheon lever trim, heavy-duty escutcheon entry lever trim
- **UL Listed** 3 hour fire rated device available
- **Fire Rated** UL labeled fire rated device available for use on doors rated up to 3 hours. Fire rated device also available for larger doors up to a maximum of 4' x 8'. Specify when ordering.
- **Strikes** Other strikes available

### Keying Options for Select Knob and Lever Trim

- **Tell Cylinder** Restricted Tell keyway cylinder can key both the cylinder and interchangeable core in one lock. The cylinders and IC cores are interchangeable. Tell keyway cylinder is available only keyed to 6-pin. Tell IC cylinder can be keyed to 6-pin or 7-pin interchangeable core (IC).
- **Other Cylinder Options** Arrow A (ARA), Corbin 59A1 (C059A1), Corbin 60 (C06), Corbin Russwin L4 (CL4), Kwikset (KW1), Russwin D1 (RD1), Sargent LA (SAL), Schlage E (SCE), Schlage F (SCF), Weiser E (WRE), Yale 8 (YA8), Yale GA (YGA)  
**ALL CYLINDERS 6-PIN. CAN ALSO BE PINNED 5-PIN.**
- **IC Keyway Cylinder** Tell, Best A (BA), Best B (BB), Best C (BC), Best D (BD), Best E (BE), Best F (BF), Best G (BG), Best H (BH), Best J (BJ), Best K (BK), Best L (BL), Best M (BM), Best Q (BQ), Best Grand master key (GMK), construction master key (CMK), master key (MK), keyed different (KD), keyed alike (KA), interchangeable core uncombined (IC), 0-bitted (0BIT)  
**AVAILABLE 6- OR 7-PIN**
- **Keying Options**



## 8400 Series Accessories

### Non-Restricted Keyway

**FOR KNOB TRIM (EMP),  
LEVER TRIM (CTL)**

**CL100219 —**  
Cylinder, Schlage C, US26D

**CL100584 —**  
Cylinder, Schlage C, US4  
Standard brass 6-pin cylinder  
SCC keyway, optional keyways  
available, (see price list).

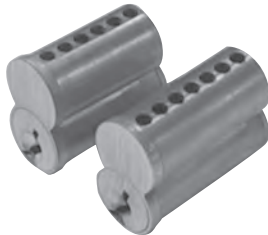


**CL100268 —**  
IC Core Best A 6 Pin, US26D

**CL100270 —**  
IC Core Best A 7 Pin, US26D

**CL100269 —**  
IC Core Best A 6 Pin, US4

**CL100271 —**  
IC Core Best A 7 Pin, US4  
Small format interchangeable core  
brass cylinder 6-pin standard, 7-pin  
available. Best "A" keyway standard.



### Tell Restricted Keyway

**FOR LEVER TRIM (CTL), THUMBPIECE  
TRIM (TP81), ESCUTCHEON LEVER  
TRIM (ESC), HEAVY-DUTY ESCUTCHEON  
ENTRY LEVER TRIM (ESCHD), PULL TRIM  
(PT881)**

#### TELL CYLINDERS:

**CL101503 —**  
6 pin Tell cylinder, US26D

**CL101504 —**  
6 pin Tell cylinder, US4



#### TELL INTERCHANGEABLE CORES:

**CL101499 —**  
6 pin Tell IC core, US26D

**CL101500 —**  
6 pin Tell IC core, US4

**CL101501 —**  
7 pin Tell IC core, US26D

**CL101502 —**  
7 pin Tell IC core, US4



### Glass Shim Plate

**EX100051**

Shim plate standard.





## 8400 Series Trim

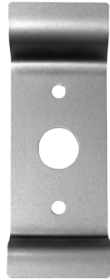
### 8PDT

**EX100013 (AL)**  
Exterior blank pull.



### 8P03

**EX100014 (AL)**  
Exterior pull with cylinder cut out.



### TP81

**EX100008 (AL)**  
Exterior thumbpiece trim, includes 1-1/4" mortise cylinder SCC



### EMP808

**EX100010 (entry, US32D)**

### EMP875

**EX100011 (passage, US32D)**

### EMP886

**EX100012 (storeroom, US32D)**

Exterior sectional ball knob trim.



### PT881

**EX100090 (AL)**  
Pull trim with rim cylinder



### CTL / Lever Trim (w/out clutch)

**EX100005 (entry, US26D)\***

**EX100006 (passage, US26D)**

**EX100038 (storeroom, US26D)**

Exterior sectional lever trim.



### ESC / Escutcheon Trim

**EX100054 (entry, US26D)**

**EX100056 (passage, US26D)**

**EX100055 (storeroom, US26D)**

**EX100057 (dummy, US26D)**

Exterior escutcheon free wheeling lever trim, includes 1-1/4" mortise cylinder SCC



### ESCHD / Escutcheon Trim, Heavy-Duty

**EX100303 (entry, US32D)**

*\*-03 Storeroom function available, consult customer service. Requires EX100336 cam.*

Exterior heavy-duty escutcheon free wheeling lever trim, includes 1-1/4" mortise cylinder SCC

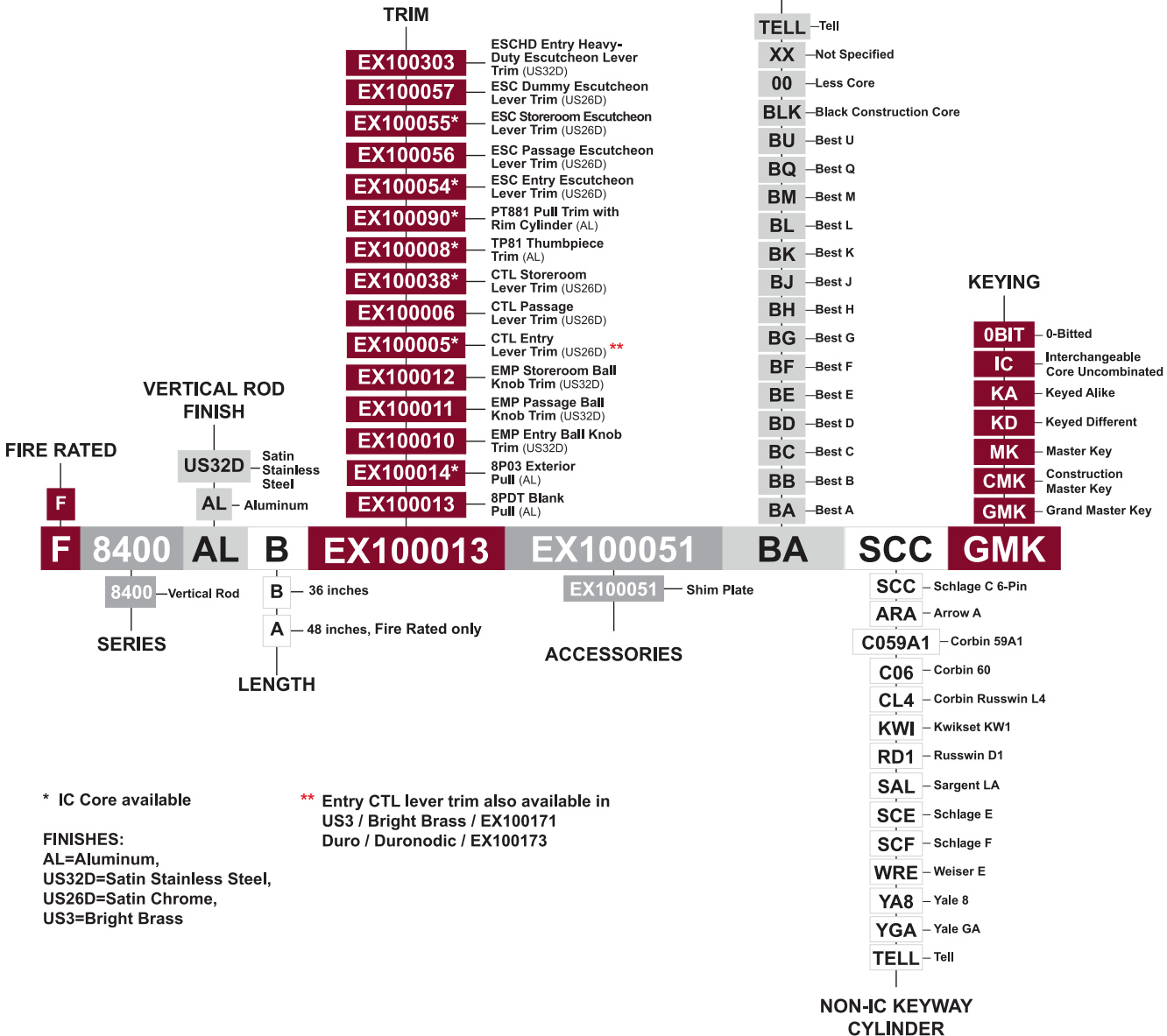


*\*Entry CTL lever trim also available in US3 / Bright Brass / EX100171 Duro / Duronodic / EX100173*



# How To Order 8400 Series

IC KEYWAY CYLINDER  
AVAILABLE 6- OR 7-PIN



\* IC Core available

\*\* Entry CTL lever trim also available in US3 / Bright Brass / EX100171 Duro / Duronodic / EX100173

**FINISHES:**  
AL=Aluminum,  
US32D=Satin Stainless Steel,  
US26D=Satin Chrome,  
US3=Bright Brass

ALL CYLINDERS AVAILABLE 6-PIN. CAN ALSO BE PINNED 5-PIN.  
TELL KEYWAY CYLINDER IS AVAILABLE ONLY KEYED TO 6-PIN.





# 9500 SERIES

## Heavy-Duty Commercial Grade 1 Architectural Rim Exit Device



### Standard Features

- **Performance** Complies with ANSI A156.3, 2001, Grade 1, UL/ULC Listed
- **Rail** Fits 30" to 36" doors
- **Latch** Stainless steel ¾" throw with deadlatch feature
- **Backset** 2-3/4"
- **Strikes** Adjustable with slotted holes for adjustments
- **Standard Cylinder** Standard cylinder Schlage (SCC) - 6-pin solid brass, C keyway, keyed different (KD).
- **Fasteners** Accommodates wood and metal doors with thru bolts standard
- **Door Range** 1-3/4" to 2-1/4" thick
- **Door Preparation** Surface mounted and covers 161 prep
- **Warranty** 10 years

### Optional Features

- **Fire Rated** Fire Rated device available for use on doors rated up to 3 hours.
- **UL Listed** 3 hour fire rated device available
- **Exterior Trim** Exterior blank pull, exterior pull with cylinder cut out, entry ball knob trim, storeroom ball knob trim, entry lever trim without clutch, exterior thumbpiece trim, pull trim with rim cylinder, exterior escutcheon lever trim, heavy-duty escutcheon entry lever trim
- **Strikes** Other strikes available

### Keying Options for Select Lever Trim

- **Tell Cylinder** Restricted Tell keyway cylinder can key both the cylinder and interchangeable core in one lock. The cylinders and IC cores are interchangeable. Tell keyway cylinder is available only keyed to 6-pin. Tell IC cylinder can be keyed to 6-pin or 7-pin interchangeable core (IC).
- **Other Cylinder Options** Arrow A (ARA), Corbin 59A1 (C059A1), Corbin 60 (C06), Corbin Russwin L4 (CL4), Kwikset (KW1), Russwin D1 (RD1), Sargent LA (SAL), Schlage E (SCE), Schlage F (SCF), Weiser E (WRE), Yale 8 (YA8), Yale GA (YGA)  
**ALL CYLINDERS 6-PIN. CAN ALSO BE PINNED 5-PIN.**
- **IC Keyway Cylinder** Tell, Best A (BA), Best B (BB), Best C (BC), Best D (BD), Best E (BE), Best F (BF), Best G (BG), Best H (BH), Best J (BJ), Best K (BK), Best L (BL), Best M (BM), Best Q (BQ), Best  
**AVAILABLE 6- OR 7-PIN**
- **Keying Options** Grand master key (GMK), construction master key (CMK), master key (MK), keyed different (KD), keyed alike (KA), interchangeable core uncombined (IC), 0-bitted (OBIT)



## 9500 Series Accessories

### Non-Restricted Keyway

#### FOR LEVER TRIM (CTL)

**CL100219** —  
Cylinder, Schlage C, US26D

**CL100584** —  
Cylinder, Schlage C, US4  
Standard brass 6-pin cylinder  
SCC keyway, optional keyways  
available, (see price list).

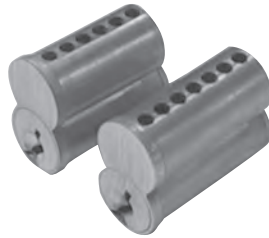


**CL100268** —  
IC Core Best A 6 Pin, US26D

**CL100270** —  
IC Core Best A 7 Pin, US26D

**CL100269** —  
IC Core Best A 6 Pin, US4

**CL100271** —  
IC Core Best A 7 Pin, US4  
Small format interchangeable core  
brass cylinder 6-pin standard, 7-pin  
available. Best "A" keyway standard.



### Tell Restricted Keyway

FOR LEVER TRIM (CTL), THUMBPIECE  
TRIM (TP81), ESCUTCHEON LEVER  
TRIM (ESC), HEAVY-DUTY ESCUTCHEON  
ENTRY LEVER TRIM (ESCHD), PULL TRIM  
(PT881)

#### TELL CYLINDERS:

**CL101503** —  
6 pin Tell cylinder, US26D

**CL101504** —  
6 pin Tell cylinder, US4



#### TELL INTERCHANGEABLE CORES:

**CL101499** —  
6 pin Tell IC core, US26D

**CL101500** —  
6 pin Tell IC core, US4

**CL101501** —  
7 pin Tell IC core, US26D

**CL101502** —  
7 pin Tell IC core, US4



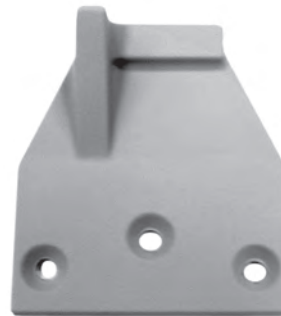
### 416 Strike

Standard strike for  
rim exit device.  
Slotted holes for  
easy adjustment.  
Black powder  
coated finish.



### Overlapping Strike EX100007 (US32D)

Optional strike used  
on inactive door when  
pairs of doors require  
rim exit device on  
active door.



FINISHES: US26D=Satin Chrome, US4=Satin Brass, US32D=Satin Stainless Steel



## 9500 Series Trim

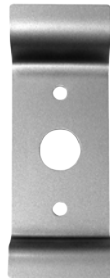
### 8PDT

**EX100013 (AL)**  
Exterior blank pull.



### 8P03

**EX100014 (AL)**  
Exterior pull with cylinder cut out.



### EMP808

**EX100010 (entry, US32D)**

### EMP875

**EX100011 (passage, US32D)**

### EMP886

**EX100012 (storeroom, US32D)**  
Exterior sectional ball knob trim.



### TP81

#### EX100008 (AL)

Exterior thumbpiece trim, includes 1-1/4" mortise cylinder SCC



### CTL / Lever Trim (w/out clutch)

**EX100005 (entry, US26D)\***

**EX100006 (passage, US26D)**

**EX100038 (storeroom, US26D)**

Exterior sectional lever trim.



### PT881

**EX100090**

(AL)

Pull trim with rim cylinder



### ESC / Escutcheon Trim

**EX100054 (entry, US26D)**

**EX100056 (passage, US26D)**

**EX100055 (storeroom, US26D)**

**EX100057 (dummy, US26D)**

Exterior escutcheon free wheeling lever trim, includes 1-1/4" mortise cylinder SCC



### ESCHD / Escutcheon Trim, Heavy-Duty

**EX100303 (entry, US32D)**

\*-03 Storeroom function available, consult customer service. Requires EX100336 cam.

Exterior heavy-duty escutcheon free wheeling lever trim, includes 1-1/4" mortise cylinder SCC



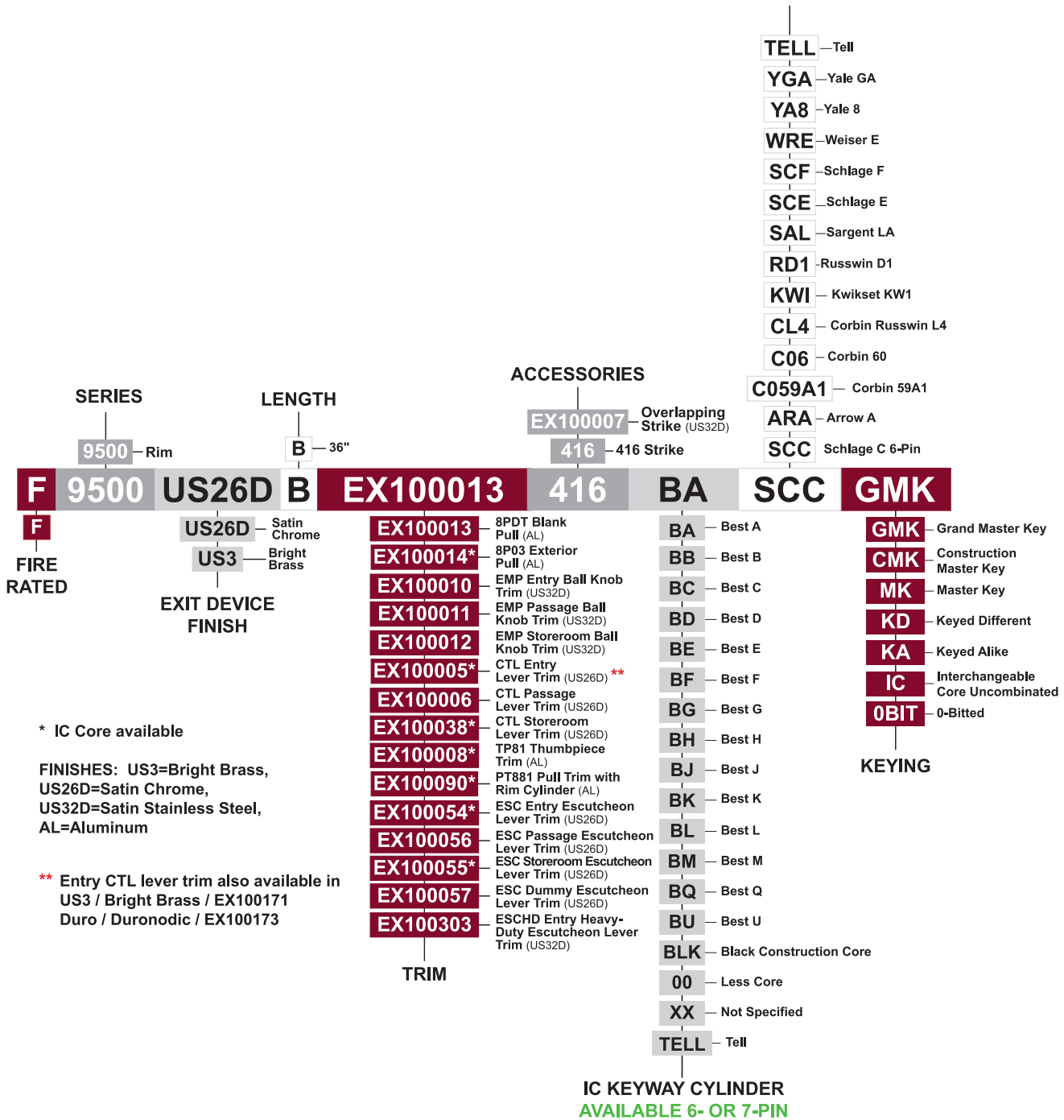
*\*Entry CTL lever trim also available in US3 / Bright Brass / EX100171 Duro / Duronodic / EX100173*

NOTE: AL=Aluminum, US32D=Satin Stainless Steel, US26D=Satin Chrome



# How to Order 9500 Series

**NON-IC KEYWAY CYLINDER**  
**ALL CYLINDERS AVAILABLE 6-PIN. CAN ALSO BE PINNED 5-PIN.**  
**TELL KEYWAY CYLINDER IS AVAILABLE ONLY KEYED TO 6-PIN.**



\* IC Core available

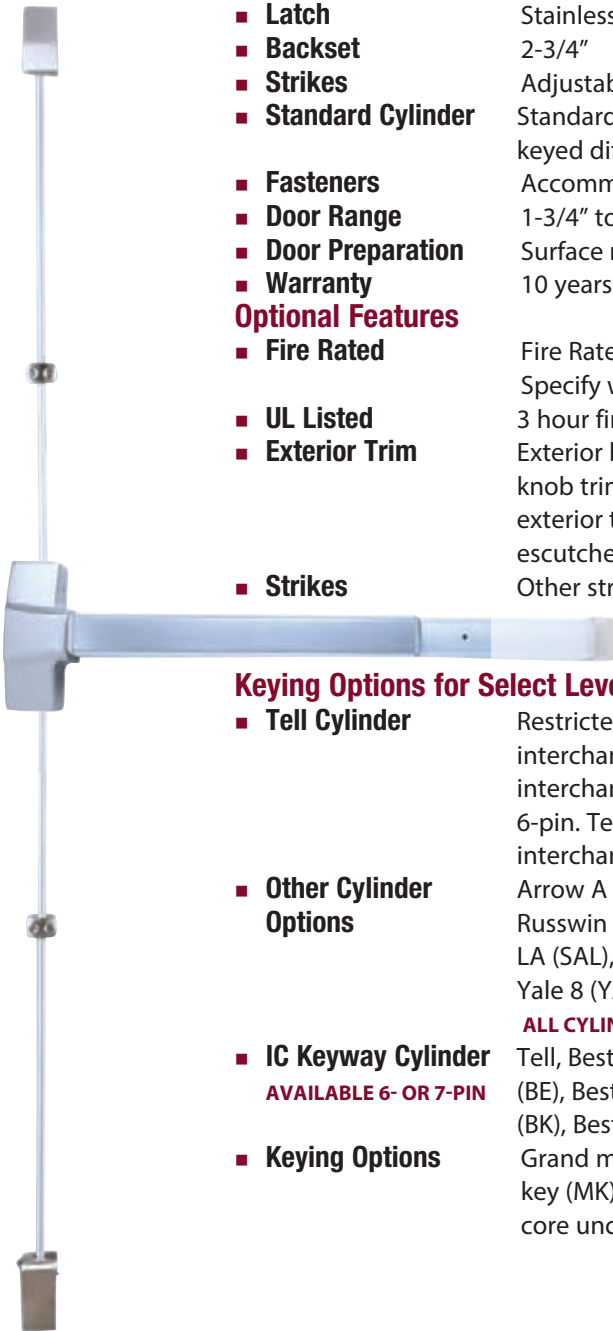
FINISHES: US3=Bright Brass,  
 US26D=Satin Chrome,  
 US32D=Satin Stainless Steel,  
 AL=Aluminum

\*\* Entry CTL lever trim also available in  
 US3 / Bright Brass / EX100171  
 Duro / Duronodic / EX100173



# 9400 SERIES

## Heavy-Duty Commercial Grade 1 Architectural Surface Vertical Rod Exit Device



### Standard Features

- **Performance** Complies with ANSI A156.3, 2001, Grade 1, UL/ULC Listed
- **Rail** Fits 30" to 36" doors
- **Latch** Stainless steel 5/8" throw with deadlatch feature
- **Backset** 2-3/4"
- **Strikes** Adjustable with slotted holes for adjustments
- **Standard Cylinder** Standard cylinder Schlage (SCC) - 6-pin solid brass, C keyway, keyed different (KD).
- **Fasteners** Accommodates wood and metal doors with thru bolts standard
- **Door Range** 1-3/4" to 2-1/4" thick
- **Door Preparation** Surface mounted and covers 161 prep
- **Warranty** 10 years

### Optional Features

- **Fire Rated** Fire Rated device available for use on doors rated up to 3 hours. Specify when ordering.
- **UL Listed** 3 hour fire rated device available
- **Exterior Trim** Exterior blank pull, exterior pull with cylinder cut out, entry ball knob trim, storeroom ball knob trim, entry lever trim without clutch, exterior thumbpiece trim, pull trim with rim cylinder, exterior escutcheon lever trim, heavy-duty escutcheon entry lever trim
- **Strikes** Other strikes available

### Keying Options for Select Lever Trim

- **Tell Cylinder** Restricted Tell keyway cylinder can key both the cylinder and interchangeable core in one lock. The cylinders and IC cores are interchangeable. Tell keyway cylinder is available only keyed to 6-pin. Tell IC cylinder can be keyed to 6-pin or 7-pin interchangeable core (IC).
- **Other Cylinder Options** Arrow A (ARA), Corbin 59A1 (C059A1), Corbin 60 (C06), Corbin Russwin L4 (CL4), Kwikset (KW1), Russwin D1 (RD1), Sargent LA (SAL), Schlage E (SCE), Schlage F (SCF), Weiser E (WRE), Yale 8 (YA8), Yale GA (YGA)  
**ALL CYLINDERS 6-PIN. CAN ALSO BE PINNED 5-PIN.**
- **IC Keyway Cylinder** Tell, Best A (BA), Best B (BB), Best C (BC), Best D (BD), Best E (BE), Best F (BF), Best G (BG), Best H (BH), Best J (BJ), Best K (BK), Best L (BL), Best M (BM), Best Q (BQ), Best  
**AVAILABLE 6- OR 7-PIN**
- **Keying Options** Grand master key (GMK), constructionmaster key (CMK), master key (MK), keyed different (KD), keyed alike (KA), interchangeable core uncombined (IC), 0-bitted (0BIT)



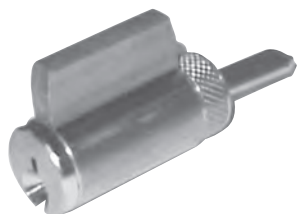
## 9400 Series Accessories

### Non-Restricted Keyway

#### FOR LEVER TRIM (CTL)

**CL100219** —  
Cylinder, Schlage C, US26D

**CL100584** —  
Cylinder, Schlage C, US4  
Standard brass 6-pin cylinder  
SCC keyway, optional keyways  
available, (see price list).

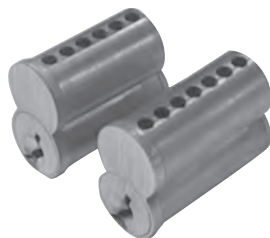


**CL100268** —  
IC Core Best A 6 Pin, US26D

**CL100270** —  
IC Core Best A 7 Pin, US26D

**CL100269** —  
IC Core Best A 6 Pin, US4

**CL100271** —  
IC Core Best A 7 Pin, US4  
Small format interchangeable core  
brass cylinder 6-pin standard, 7-pin  
available. Best "A" keyway standard.



### Tell Restricted Keyway

FOR LEVER TRIM (CTL), THUMBPIECE  
TRIM (TP81), ESCUTCHEON LEVER  
TRIM (ESC), HEAVY-DUTY ESCUTCHEON  
ENTRY LEVER TRIM (ESCHD), PULL TRIM  
(PT881)

#### TELL CYLINDERS:

**CL101503** —  
6 pin Tell cylinder, US26D

**CL101504** —  
6 pin Tell cylinder, US4



#### TELL INTERCHANGEABLE CORES:

**CL101499** —  
6 pin Tell IC core, US26D

**CL101500** —  
6 pin Tell IC core, US4

**CL101501** —  
7 pin Tell IC core, US26D

**CL101502** —  
7 pin Tell IC core, US4



### 416 Strike

Standard strike for  
rim exit device.  
Slotted holes for  
easy adjustment.  
Black powder  
coated finish.



### Overlapping Strike EX100007 (US32D)

Optional strike used  
on inactive door when  
pairs of doors require  
rim exit device on  
active door.





## 9400 Series Trim

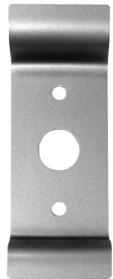
### 8PDT

**EX100013 (AL)**  
Exterior blank pull.



### 8P03

**EX100014 (AL)**  
Exterior pull with cylinder cut out.



### EMP808

**EX100010 (entry, US32D)**

### EMP875

**EX100011 (passage, US32D)**

### EMP886

**EX100012 (storeroom, US32D)**  
Exterior sectional ball knob trim.



### TP81

#### EX100008 (AL)

Exterior thumbpiece trim, includes 1-1/4" mortise cylinder SCC



### CTL / Lever Trim (w/out clutch)

**EX100005 (entry, US26D)\***

**EX100006 (passage, US26D)**

**EX100038 (storeroom, US26D)**

Exterior sectional lever trim.



### PT881

**EX100090**

(AL)

Pull trim with rim cylinder



### ESC / Escutcheon Trim

**EX100054 (entry, US26D)**

**EX100056 (passage, US26D)**

**EX100055 (storeroom, US26D)**

**EX100057 (dummy, US26D)**

Exterior escutcheon free wheeling lever trim, includes 1-1/4" mortise cylinder SCC



### ESCHD / Escutcheon Trim, Heavy-Duty

**EX100303 (entry, US32D)**

*\*-03 Storeroom function available, consult customer service.*

*Requires EX100336 cam.*

Exterior heavy-duty escutcheon free wheeling lever trim, includes

1-1/4" mortise cylinder SCC

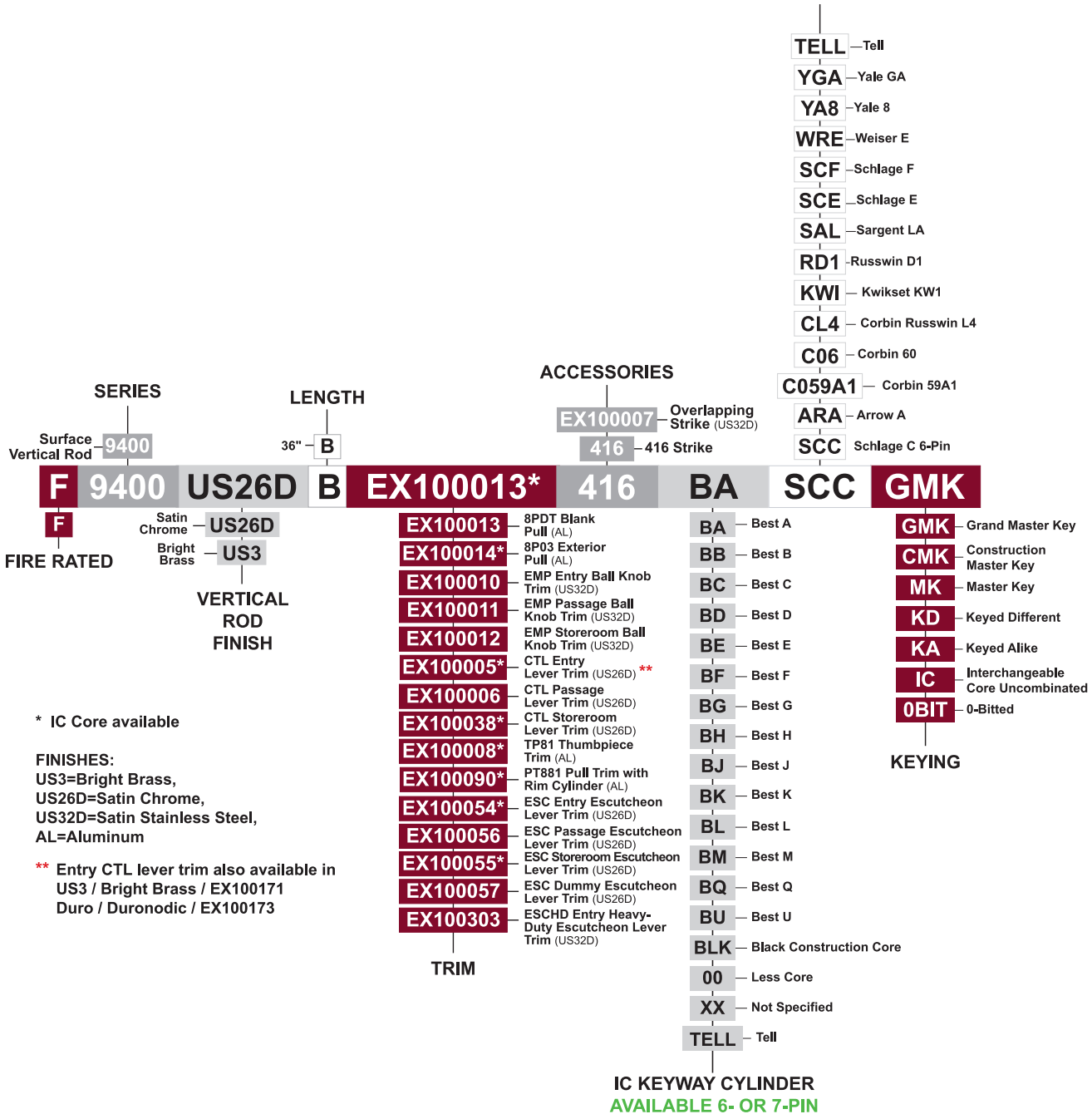


*\*Entry CTL lever trim also available in US3 / Bright Brass / EX100171 Duro / Duronodic / EX100173*



# How to Order 9400 Series

**NON-IC KEYWAY CYLINDER**  
**ALL CYLINDERS AVAILABLE 6-PIN. CAN ALSO BE PINNED 5-PIN.**  
**TELL KEYWAY CYLINDER IS AVAILABLE ONLY KEYED TO 6-PIN.**







# 9100 Series Mortise Lock Exit Device

## For High Security Installations



**ESC / Escutcheon Trim**  
EX100342 (Entry, US32D, 304)  
EX100343 (Entry, US32D, 316)

### Standard Features

#### ■ Application

For use on single doors or active leaf of double doors, where both exit device and high security are required. Fits for 1-3/4" (44mm) standard up to 2-1/4" (57 mm) thick RHR or LHR hollow metal door, and wood doors.

#### ■ Specification **MORTISE LOCK PORTION**

**Lockcase:** Steel, plated. 6-1/6" x 3-15/16" x 29/32"  
(154mm x 100mm x 23mm)

**Anti Friction Latchbolt:** 3/4" (19mm) throw, stainless steel.

Full reversible without removing the lock from the door.

**Auxiliary Deadlocking Bolt:** Non handed, stainless steel

**Faceplate:** 1.5mm thick stainless steel. Adjustable.

**Strike:** 2mm thick stainless steel, universal curved lip.

#### ■ Specification **DEVICE BODY PORTION**

**Device Head Cover:** Steel, stainless steel

**Chassis:** Stainless steel

**Push Bar:** Stainless steel

**End Cap:** Stainless steel

**Mounting:** Packed with standard machine screws. Not furnished sex bolts.  
Order "SNB" for wood or un-reinforced metal doors

**U.L. Listing:** Fire Rated

**Dogging:** Not available

**NOTE:** Fire rated labeled device is not permitted to be equipped with dogging.

**FINISHES:** This device is available in 304 and 316 stainless steel



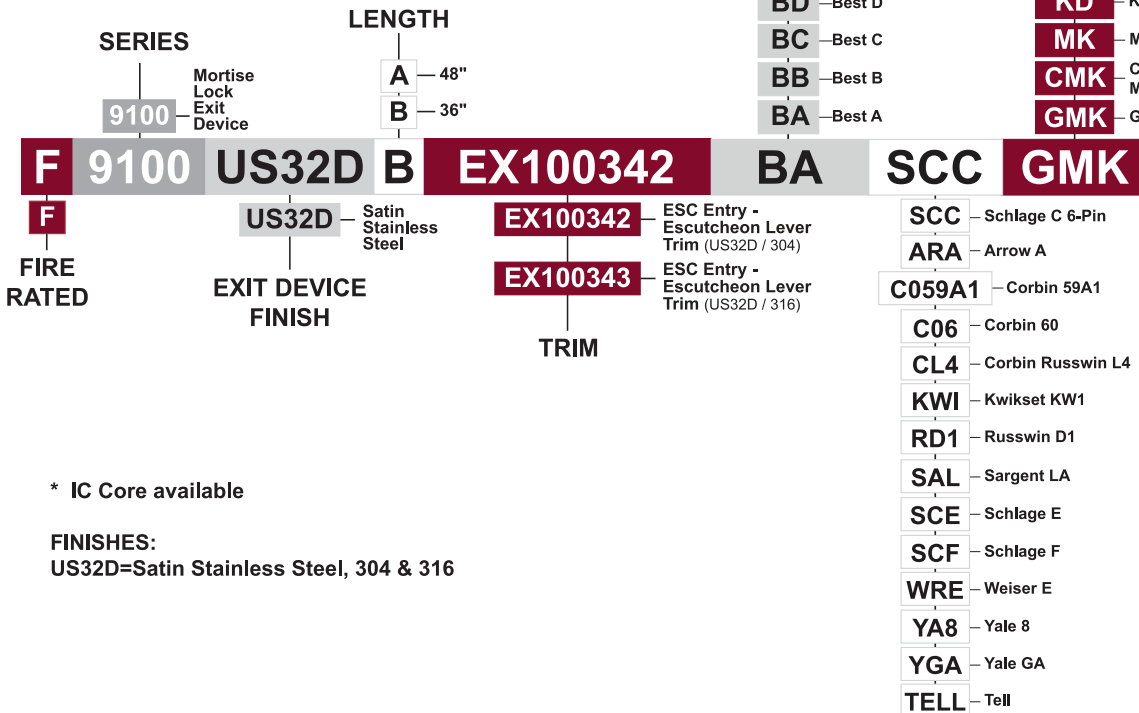
# How to Order 9100 Series

IC KEYWAY CYLINDER  
AVAILABLE 6- OR 7-PIN

- TELL - Tell
- XX - Not Specified
- 00 - Less Core
- BLK - Black Construction Core
- BU - Best U
- BQ - Best Q
- BM - Best M
- BL - Best L
- BK - Best K
- BJ - Best J
- BH - Best H
- BG - Best G
- BF - Best F
- BE - Best E
- BD - Best D
- BC - Best C
- BB - Best B
- BA - Best A

### KEYING

- 0BIT - 0-Bitted
- IC - Interchangeable Core Uncombined
- KA - Keyed Alike
- KD - Keyed Different
- MK - Master Key
- CMK - Construction Master Key
- GMK - Grand Master Key



\* IC Core available

FINISHES:  
US32D=Satin Stainless Steel, 304 & 316

NON-IC KEYWAY  
CYLINDER

ALL CYLINDERS AVAILABLE 6-PIN. CAN ALSO BE PINNED 5-PIN.  
TELL KEYWAY CYLINDER IS AVAILABLE ONLY KEYED TO 6-PIN.

Hinges & Door Trim  
Red Tab

Hinges & Door Trim  
Red Tab back



COMMERCIAL DOORS & HARDWARE

# table of contents

## HINGES, HINGE PIVOTS, OFFSET PIVOTS, DOOR TRIM, COMMERCIAL THRESHOLDS & WEATHERSTRIPPING

	PAGE
H4545 SERIES / 4-1/2" x 4-1/2" Square Corner Hinges	2
H4040 SERIES / 4" X 4" Full Mortise Hinges	3
Aluminum Storefront / 4-1/2" X 4" Full Mortise Hinges	4
SPRING HINGE (Commercial) / 4-1/2" x 4-1/2" Square Corner Hinges, Reversible, Fully Adjustable	5
Hinge Pivots / 4-1/2" x 4-1/2" Square Corner Hinges	6
Door Trim	7
Commercial Thresholds & Weatherstripping	15







# H4545 SERIES

## 4-1/2" x 4-1/2" Square Corner Hinges



US26D / Satin Chrome



USP / Prime Coat



US3 / Polished Brass



US32D / Satin Stainless Steel

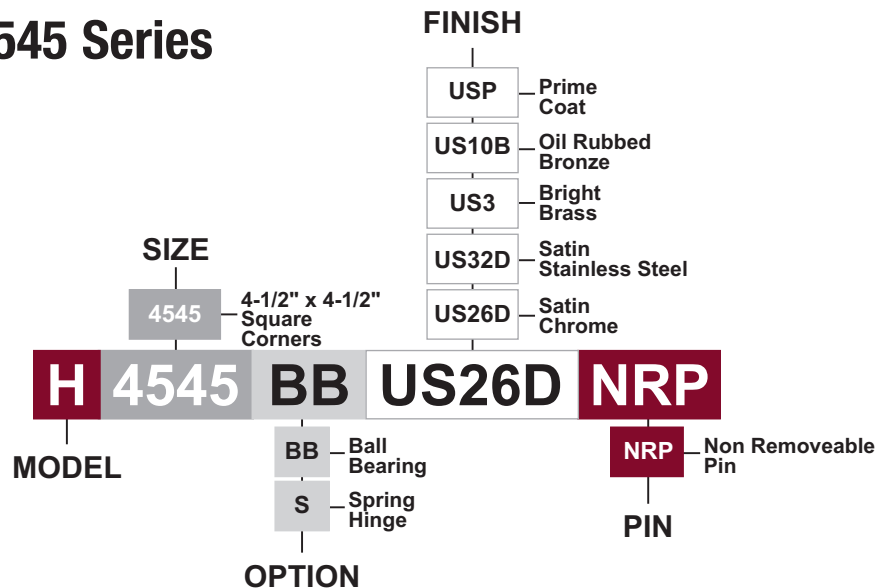
### Standard Features

- **Performance** Complies with ANSI A156.1, 1999 (plain bearing and ball bearing)
- **Performance** Complies with ANSI A156.17, 1999, UL listed (spring hinge)
- **Hinge** 4-1/2" x 4-1/2", square corner, templated, .134" gauge steel.  
See below for pin and finish options.
- **Screws** Furnished with 24 metal screws and 24 #12 wood screws
- **Warranty** 1 year

### Optional Features

- **Pin** Ball Bearing & Non-removeable
- **Finishes** USP, US26D, US32D, US3, US10B
- **Note** Other finishes and sizes available upon request. Check for availability and lead time.
- **Gauge** Heavy-duty available in US26D finish, ball bearing, with either loose pin or non-removeable pin (NRP)

## How To Order H4545 Series





# H4040 SERIES

## 4" x 4" Full Mortise Hinges



US26D / Satin Chrome



US10B / Oil Rubbed Bronze

### Standard Features

- **Performance** Complies with ANSI A156.1, 1999 (plain bearing and ball bearing)
- **Hinge** 4" x 4", steel square corner, templated, full mortise, .085" gauge steel, standard weight. See below for pin and finish options.
- **Warranty** 1 year

### Optional Features

- **Pin** Non-removeable
- **Finishes** US26D, US3, US4, US10B, USP
- **Note** Other finishes and sizes available upon request. Check for availability and lead time.

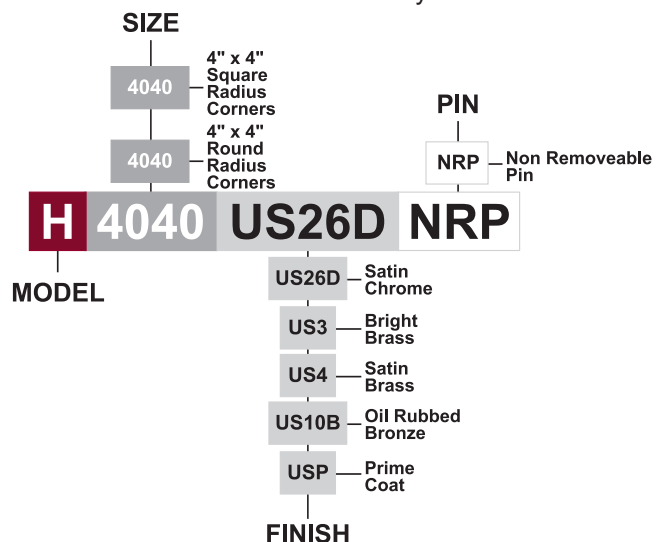
### Standard Features

- **Performance** Complies with ANSI A156.1, 1999 (plain bearing and ball bearing)
- **Hinge** 4" x 4", steel 5/8" round radius corner, templated, full mortise, .085" gauge steel, standard weight. See below for pin and finish options.
- **Warranty** 1 year

### Optional Features

- **Pin** Non-removeable
- **Finishes** US26D, US3, US4, US10B, USP
- **Note** Other finishes and sizes available upon request. Check for availability and lead time.

## How To Order H4040 Series

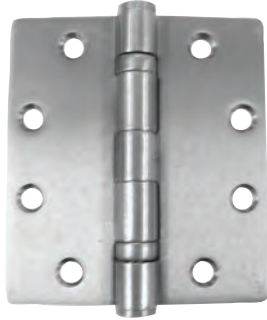






# Aluminum Storefront Frame

## 4-1/2" x 4" Full Mortise Radius Corner Hinges



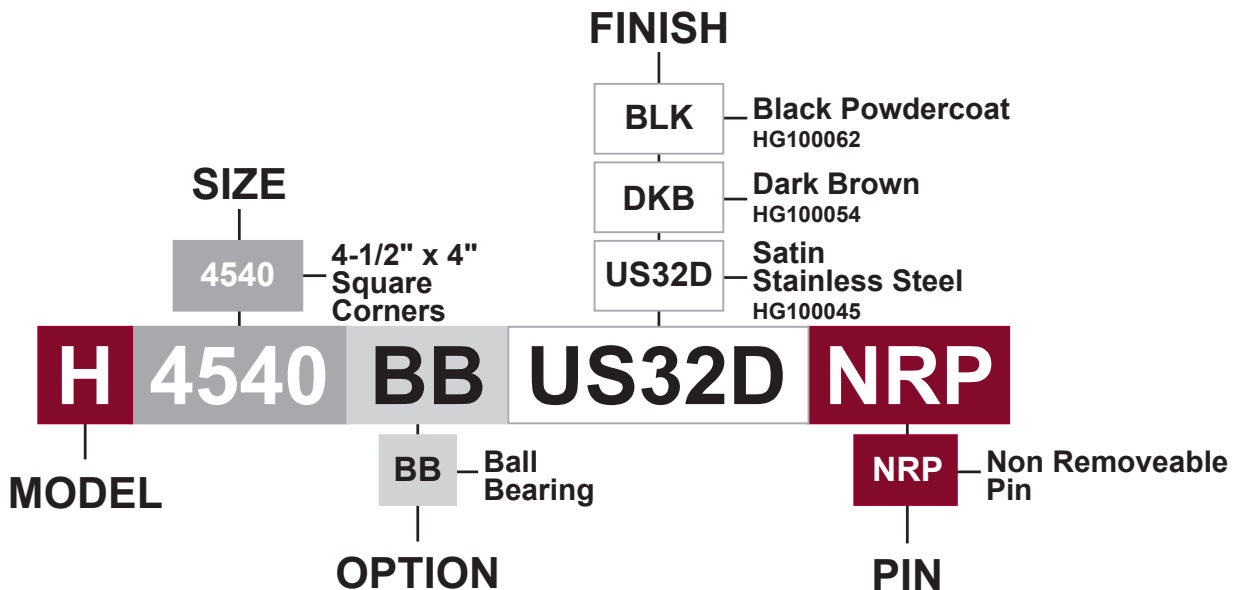
### Standard Features

- **Performance** Complies with ANSI 156.1-2000
- **Hinge** Standard sizes 4-1/2" x 4"; standard weight; standard with ball bearings; standard with 3/16" radius corners; templated
- **Screws** Furnished with metal screws and 1/2 wood screws

### Optional Features

- **Pin** Non-removable pin
- **Finishes** US32D, DKB, and black powdercoat

## How To Order Aluminum Storefront Full Mortise Hinges





# SPRING HINGE (Commercial)

4-1/2" x 4-1/2" Square Corner Hinges, Reversible, Fully Adjustable



## Full Mortise Type Template

Size to FH Screws		Pieces Per Box	Pieces Per Carton
Machine	Wood	1	48
1/2" x 12-24	1-1/4" x 12		

US26D / Satin Chrome

SH-140

4-1/2" X 4-1/2"

.134



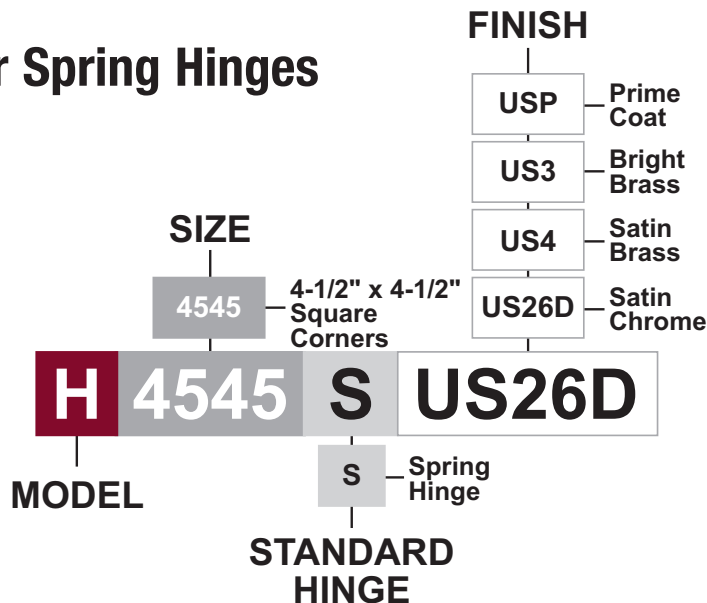
### Standard Features

- **Performance** Complies with ANSI A156.17, 1999, UL listed (spring hinge)
- **Hinge** Templated, .134" gauge steel.
- **Screws** Furnished with 8 metal screws and 8 #12 wood screws
- **Warranty** 1 year

### Optional Features

- **Finishes** USP/Prime Coat, US26D/Satin Chrome, US4/Satin Brass, US3/Bright Brass
- **Material** Steel available
- **Note** Other finishes and sizes available upon request. Check for availability and lead time.

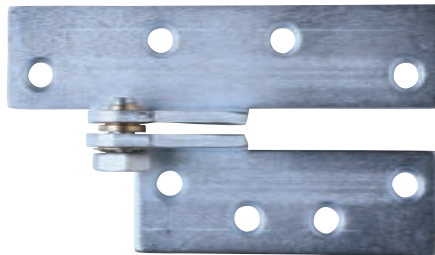
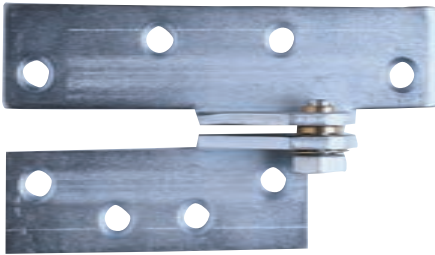
## How To Order Spring Hinges





# HINGE PIVOTS

## 4-1/2" x 4-1/2" Square Corner Hinges



**Left Hand - BZ / Bright Zinc**

HG100233

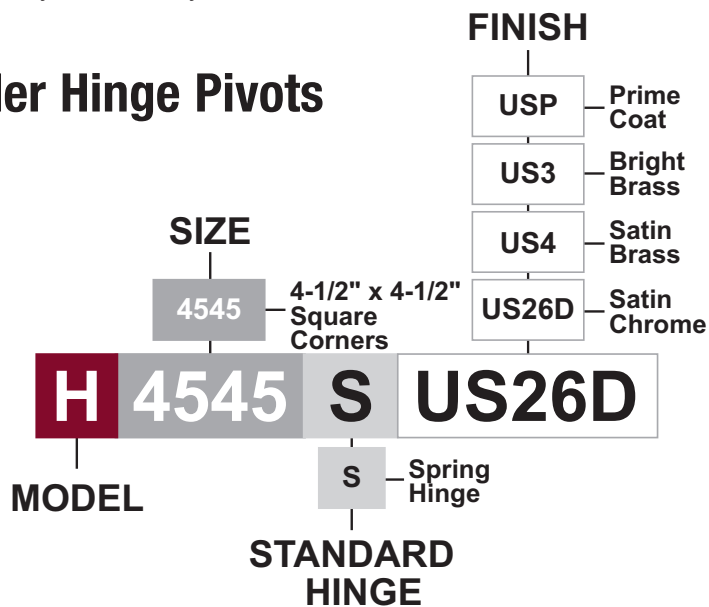
**Right Hand - BZ / Bright Zinc**

HG100234

### Standard Features

- **Butt Hinge Width** 4.5" x 4.5", square corners
- **Projection** 3/4" — projection from centerline of pivot to face of door
- **Door Thickness** 1-3/4"
- **Gauge** .187
- **Handing** Left hand or right hand
- **Machine Screws** 3/4 x 1/4-20
- **Wood Screws** 1-1/4 x 14
- **Warranty** 1 year warranty

## How To Order Hinge Pivots



# DOOR TRIM

## Push & Pull Plates



- DT100071 / P35153 Bright Brass**
- DT100072 / P351532D Satin Stainless Steel**
- DT100073 / P351528 Aluminum**

- Push plate square corner-beveled .050 gauge. 3.5" x 15"



- DT100068 / PP35153 Bright Brass**
- DT100067 / PP351532D Satin Stainless Steel**
- DT100484 / PP351528 Aluminum**

- Pull plate square corner-beveled .050 gauge.  
3.5" x 15", 5.5" CTC Pull

## Door Holders



- DT100008 / 418SKD26D Satin Chrome Plated**
- DT100483 / 418SKD3 Bright Brass**
- DT100481 / 418SKD10B Oil Rubbed Bronze**
- DT100009 / 418SKD10 Satin Bronze**

- Cast 4-1/8" triangular top kickdown door holder.



- DT100007 / 528SKD26D Satin Chrome Plated**
- Cast 4-1/8" square top kickdown door holder.
  - Solid brass core



- DT100075 / 1468 Black**

- Replacement rubber tip for use with kick down door holder.



## Floor Stops



**DT100033 / 175SDL26D Satin Chrome**

**DT100041 / 175SDL3 Bright Brass**

**DT100479 / 175SDL10B Oil Rubbed Bronze**

**DT100040 / 175SDL10 Satin Bronze**

- Cast low style floor stop 1-3/4" diameter with 1/8" thick base.



**DT100032 / 175SDH26D Satin Chrome**

**DT100486 / 175SDH3 Bright Brass**

**DT100488 / 175SDH10B Oil Rubbed Bronze**

**DT100487 / 175SDH10 Satin Bronze**

- Cast high style floor stop. 1-3/4" diameter with 3/8" thick base.



**DT100076 / SDRISER26D Satin Chrome**

**DT100025 / SDRISER3 Bright Brass**

- Dome stop riser. 0.5" high.



**DT100038 / 218SF26D Satin Chrome**

- Cast floor stop. Height = 3 inches. Base = 2.25".



**DT100039 / 219HSF26D Satin Chrome**

- Cast floor stop and holder. Height = 3 inches. Base = 2.25".

## Wall Stops & Bumpers



**DT100085 / 021BX32D Satin Stainless Steel**

**DT100466 / 021BX3 Bright Brass**

**DT100467 / 021BX10B Oil Rubbed Bronze**

**DT100468 / 021BX10 Satin Bronze**

- Wrought 2-1/2" diameter convex wall stop with concealed mounting.



**DT100084 / 022BV32D Satin Stainless Steel**

**DT100087 / 022BV3 Bright Brass**

**DT100465 / 022BV10B Oil Rubbed Bronze**

**DT100086 / 022BV10 Satin Bronze**

- Wrought 2-1/2" diameter concave wall stop with concealed mounting.



**DT100088 / 35SB26D Satin Chrome**

- Cast wall stop.



**DT100089 / 35SBH26D Satin Chrome**

- Cast wall stop and holder.

## Floor Stops



**DT100158 / US15 Satin Nickel**

**DT100167 / US3 Bright Brass**

**DT100166 / US10B Oil Rubbed Bronze**

- Spring door stop.

## Strikes



**DT100021 / 2SDS83 Bright Brass**

**DT100024 / 2SDS8SL Silver Coated**

- 8" x 1-3/8" deadbolt super security strike.



**DT100022 / 2SDS3 Bright Brass**

**DT100023 / 2SDSSL Silver Coated**

- 4-7/8" x 1-1/4" deadbolt super security strike.



**DT100121 / EL10232D Satin Stainless Steel**

**DT100036 / EL1023 Bright Brass**

- Extended lip strike 2-1/4" x 2".

## Door Bolts & Door Guards



**DT100042 / 4261FW26D Satin Chrome**

**DT100471 / 4261FW3 Bright Brass**

**DT100469 / 4261FW10B Oil Rubbed Bronze**

**DT100470 / 4261FW10 Satin Bronze**

- Lever extension flush bolt for use on wood composite/fire rated doors.



**DT100043 / 4081FM26D Satin Chrome**

**DT100474 / 4081FM3 Bright Brass**

**DT100473/ 4081FM10B Oil Rubbed Bronze**

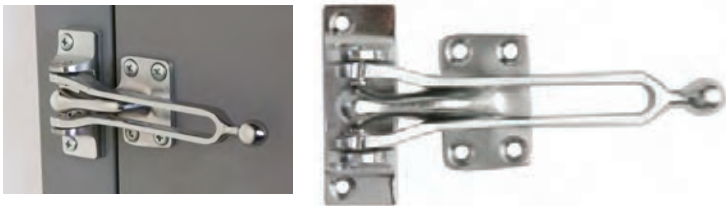
**DT100472 / 4081FM10 Satin Bronze**

- Lever extension flush bolt for use on hollow metal/fire rated doors.



**DT101589 / 26 Bright Chrome**

- 190 degree door viewer with heavy duty privacy cover, 1-3/8" to 2-1/4".



**DT100027 / 304GD26D Satin Chrome**

**DT100475 / 304GD3 Bright Brass**

- Heavy duty door guard 4" arm length.



**DT100026 / DG45026D Satin Chrome**

- Heavy duty door chain.



**DT100480 / BL17123 Bright Brass**

**DT100477 / BL171210B Oil Rubbed Bronze**

**DT100159 / BL171215 Satin Nickel**

- Ball catch. Available in other finishes.



## Door Bolts



**DT100077 / 909LR26D Satin Chrome**

**DT100478 / 909LR3 Bright Brass**

**DT100476 / 909LR10B Oil Rubbed Bronze**

- Roller latch



**DT100017 / 4131BS Solid Brass material with Satin Chrome finish (26D)**

- 8" surface bolt UL listed.

## Wrap-Arounds



**DT100096 / VF81PB3 Bright Brass**

**DT100282 / VF81S32D Satin Stainless Steel**

- Door wrap-around 4-1/4" x 4-1/2" for 1-3/4" thick door with 2-1/8" hole and 2-3/4" backset.



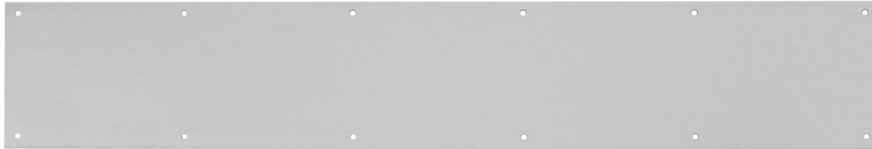
**DT100097 / VF4PB3 Bright Brass**

**DT100095 / VF4S32D Satin Stainless Steel**

- Door wrap-around 4-1/4" x 9" for 1-3/4" thick door with 2-1/8" hole and 2-3/4" backset.



## Kickplates



- |  |   |
|--|---|
| <b>DT100053 / KP63028 Aluminum</b>               | ■ 6" x 30" door protection kick plate .050 gauge. |
| <b>DT100054 / KP6303 Bright Brass</b>            | ■ 6" x 30" door protection kick plate .050 gauge. |
| <b>DT100055 / KP63032D Satin Stainless Steel</b> | ■ 6" x 30" door protection kick plate .050 gauge. |
| ...  |   |
| <b>DT100056 / KP63428 Aluminum</b>               | ■ 6" x 34" door protection kick plate .050 gauge. |
| <b>DT100057 / KP6343 Bright Brass</b>            | ■ 6" x 34" door protection kick plate .050 gauge. |
| <b>DT100058 / KP63432D Satin Stainless Steel</b> | ■ 6" x 34" door protection kick plate .050 gauge. |
| ...  |   |
| <b>DT100059 / KP83032D Satin Stainless Steel</b> | ■ 8" x 30" door protection kick plate .050 gauge. |
| ...  |   |
| <b>DT100051 / KP83428 Aluminum</b>               | ■ 8" x 34" door protection kick plate .050 gauge. |
| <b>DT100060 / KP8343 Bright Brass</b>            | ■ 8" x 34" door protection kick plate .050 gauge. |
| <b>DT100052 / KP83432D Satin Stainless Steel</b> | ■ 8" x 34" door protection kick plate .050 gauge. |
| ...  |   |
| <b>DT100118 / KP8243 Bright Brass</b>            | ■ 8" x 24" door protection kick plate .050 gauge. |
| ...  |   |
| <b>DT100146 / KP84632D Satin Stainless Steel</b> | ■ 8" x 46" door protection kick plate .050 gauge. |

## Hinge Pin



**DT100156 / US15 Satin Nickel**

- Hinge pin stop.

## Latch Protectors



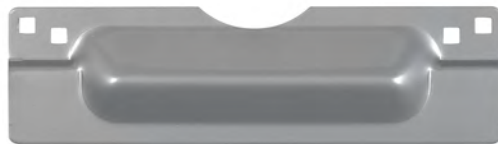
**DT100063 / ILP206SL Silver Coated**

- Inner locking 6" latch protection plate for inswinging doors.



**DT100062 / LP207SL Silver Coated**

- 2-3/4" x 7" latch protection plate for use with cylindrical locks on outswinging doors.



**DT100061 / LP211SL Silver Coated**

- 3" x 11" latch protection plate for use with cylindrical locks on outswinging doors.

## Miscellaneous



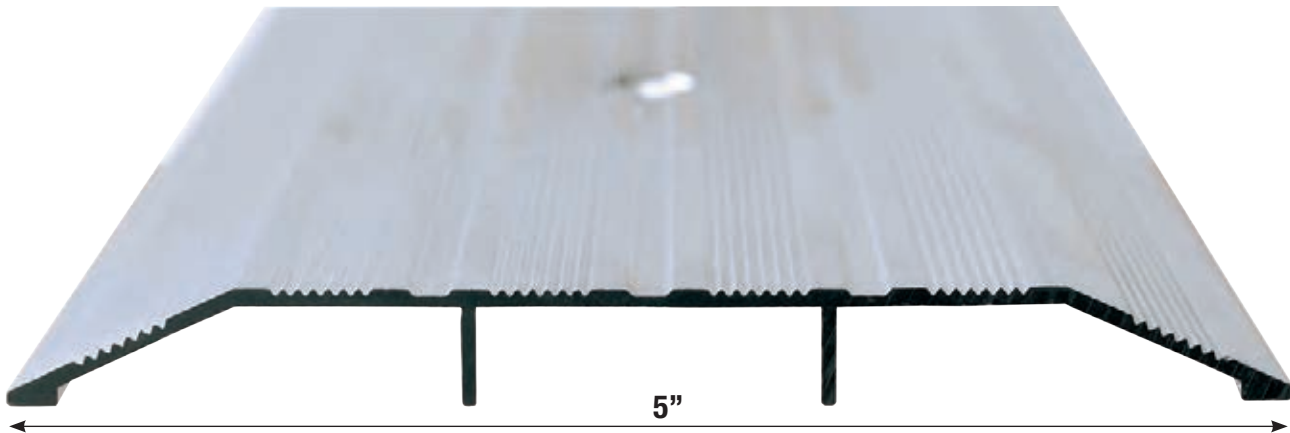
**DT100004 / BF161USP Prime**

- Hole filler plate to cover 2-1/8" diameter (161) hole.



# COMMERCIAL THRESHOLDS

## SADDLE THRESHOLD



### SADDLE THRESHOLD SPECIFICATIONS:

**DT100081**

36" Aluminum Saddle Threshold

**DT100098**

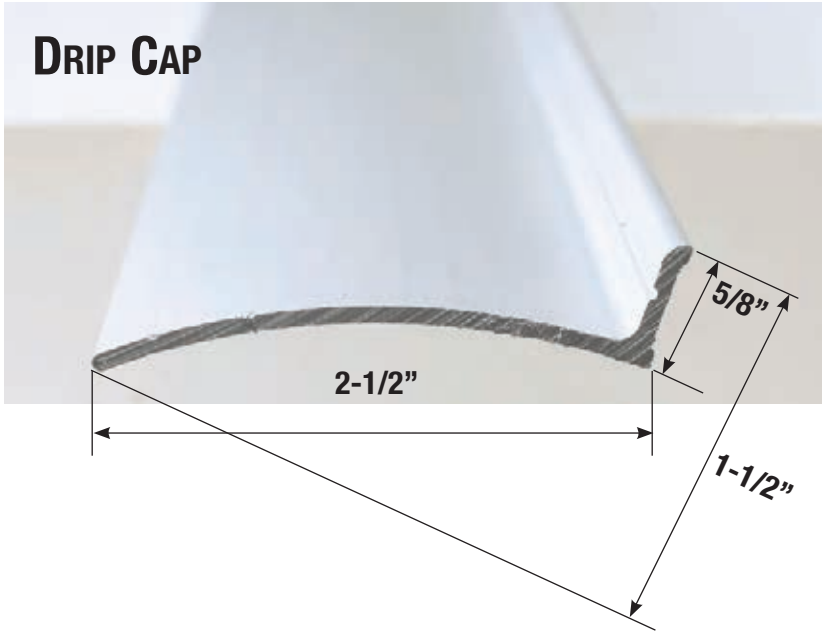
72" Aluminum Saddle Threshold





# COMMERCIAL WEATHERSTRIP

## DRIP CAP



## DRIP CAP SPECIFICATIONS

**DT100011**

40" Door Drip Cap

**DT100102**

76" Door Drip Cap

**MD100029**

38.5" Telstar Drip Cap

## SWEEP



## SWEEP SPECIFICATIONS

**DT100101**

36" Vinyl Sweep

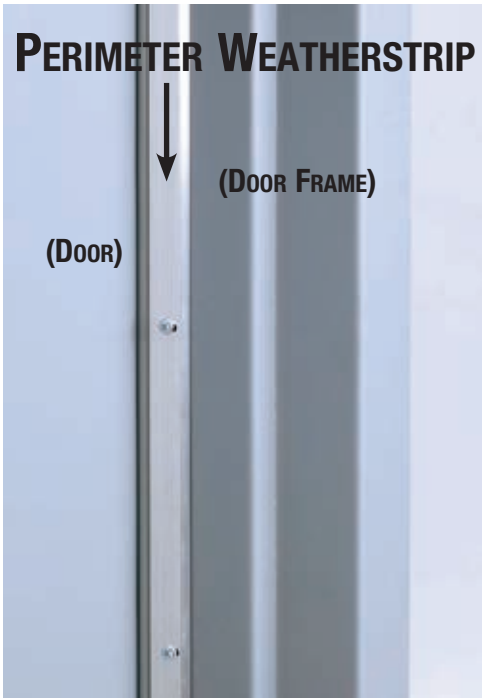
**DT100180**

48" Vinyl Sweep





# COMMERCIAL WEATHERSTRIP



## PERIMETER WEATHERSTRIP SPECIFICATIONS

### **DT100099**

3680 Vinyl Aluminum Weatherstrip

36" X 80"

### **DT100100**

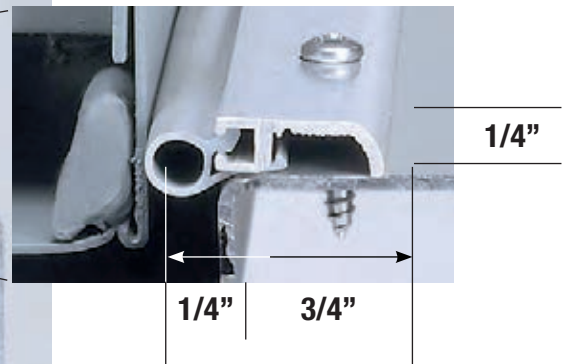
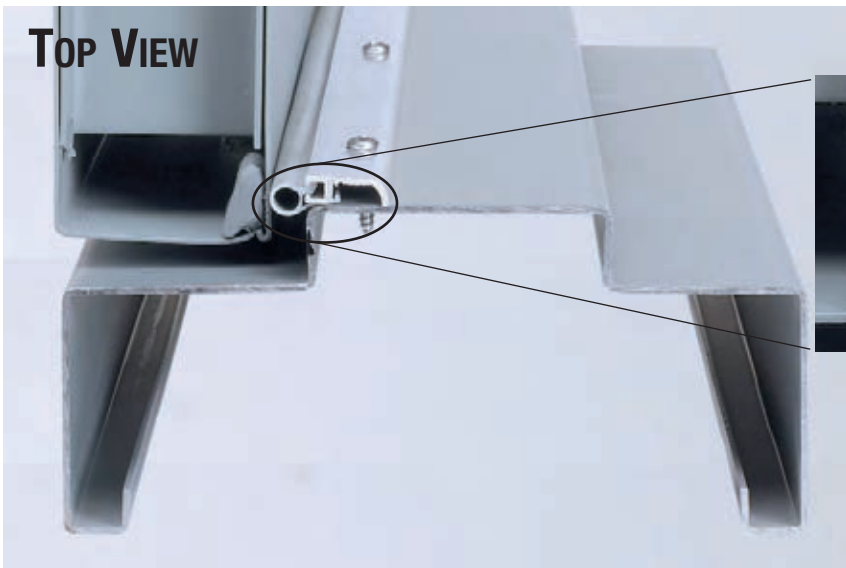
7280 Vinyl Aluminum Weatherstrip

72" X 80"

### **DT100548**

3684 Vinyl Aluminum Weatherstrip

36" X 84"



Doors & Frames  
Red Tab

Doors & Frames  
Red Tab back





COMMERCIAL DOORS & HARDWARE

# table of contents

## DOORS & FRAMES

	<b>PAGE</b>
Spartan Doors	1
Viking Doors	11
Spartan Frames	13
Telstar Doors	19
Tioga Doors	25
Wood Doors	31
Timely Pre-Finished Doors & Frames	33
Limited Warranty	37







# SPARTAN DOOR



## DOORS

## MADE IN USA

**TELL MFG** offers a complete line of standard hollow metal doors to fit your needs. **SPARTAN DOORS** are available in 20 and 18 gauge steel. All doors come with a polystyrene core as standard, making every door smoother, flatter, and stronger. **SPARTAN DOORS** are available in a complete range of fire ratings (up to 3 hours) and are certified by Underwriters Laboratories. All door panels are manufactured from high quality galvanized steel and are thoroughly cleaned inside and out to insure excellent corrosion resistance and paint adhesion. **SPARTAN DOORS** come standard with a prime coat, ready to be finished. Factory applied finish coat paint is available in many colors. Contact customer service for pricing and quantities required, for factory finish paint.

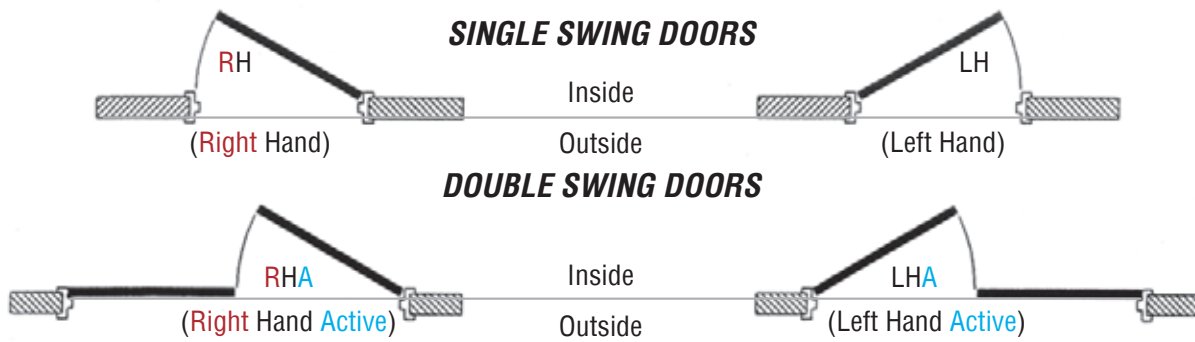
**TELL MFG** follows the same set of performance specifications as other door manufacturers, as set forth in the Steel Door Institute (SDI) requirements.

- Insulated with polystyrene core
- Non-handed
- Galvanized (standard)
- Fire rated up to 3 hours
- 7 gauge hinge reinforcements
- Reinforced 161 lock prep
- Closer reinforcement (standard)
- Meets ANSI standards
- Universal 4 ½" hinge prep
- Inverted top and bottom channel
- Installed steel cap standard

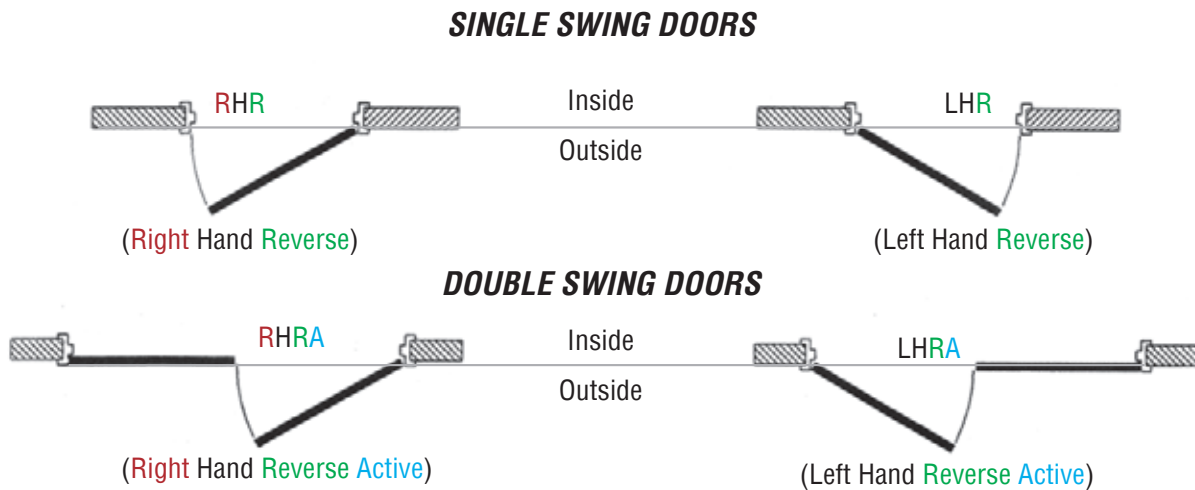
## SPARTAN HOLLOW METAL HANDING CHART

Handing of doors and frames present a problem for many, even within the door industry. The below chart is designed to make your choice easy, reducing the chances of error.

**IN-SWING DOORS**



**OUT-SWING DOORS**



**Non-Handed**



**Polystyrene  
Flush**



**Urethane Flush**

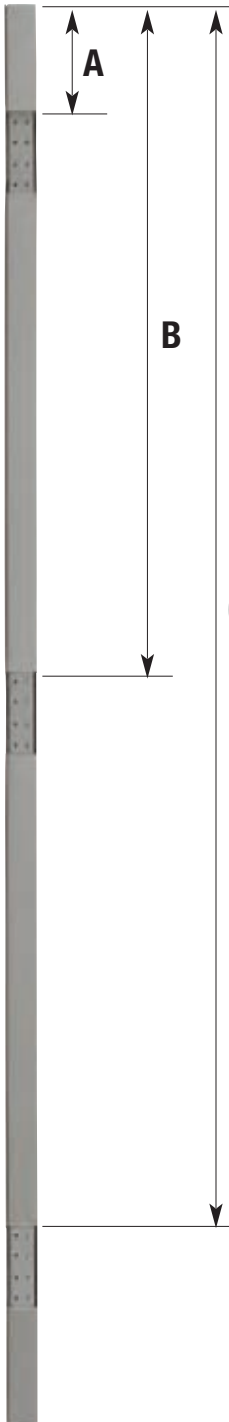


# DOOR DIMENSIONS

TOP



HINGE  
SIDE



DOOR HEIGHT*	A	B	C	D
6'8"	7-3/8"	37-5/16"	67-1/4"	39-9/16"
7'0"	7-3/8"	39-5/16"	71-1/4"	43-9/16"

**OTHER SIZES AND HINGE LOCATIONS  
AVAILABLE ON REQUEST**

**\*WITH 3/4" UNDERCUT**

LATCH  
SIDE



2-1/4"  
X  
1-1/8"  
LATCH  
PREP



BOTTOM





## SPARTAN DOORS COLOR OPTIONS



**BRONZE BZ**  
**(TIOGA)**



**MEDIUM GRAY**  
**(MSD/PRIMER GRAY)**  
**PR**



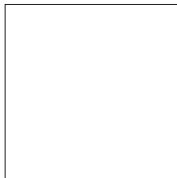
**LIGHT GRAY**  
**(TELSTAR)**  
**GR**



**OFF WHITE**  
**(TELSTAR)**  
**OW**



**TRUE WHITE**  
**(TIOGA)**  
**WH**



**BRIGHT WHITE**  
**(TELSTAR)**  
**BW**

**NO PAINT**  
**NP**

### **NOTE:**

**ACTUAL COLORS MAY VARY FROM THOSE SHOWN DUE TO LIMITATIONS OF THE PRINTING PRODUCTION PROCESS.**

# TECHNICAL DATA SERIES

Rev. 2 - April 6, 2022



## DOORS & FRAMES – 1

- Hollow Metal
- Spartan Series
- Doors

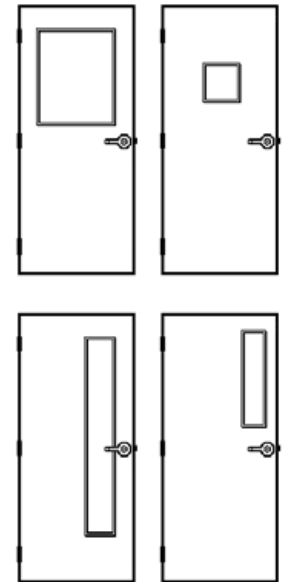
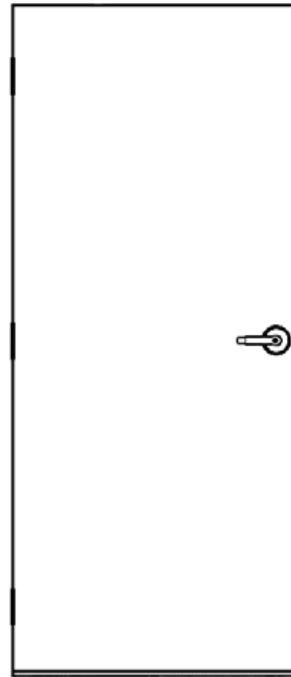
### ABOUT THE PRODUCT

The Spartan Series Doors are designed to meet the architectural requirements for hollow metal doors. This premium door construction combines the strength and dimensional stability of steel with the structural integrity of the a polystyrene core. The continuous bonding of core to metal provides an attractive flat door, free of face welding marks. Windstorm Tests have proven that the Spartan door has integral high resistance to impact damage, low thermal conductivity, and high STC ratings. To meet application, specification and performance requirements, the Spartan doors offer a wide range of specifiable options including sizes, glass lite designs, hardware (mechanical, pneumatic, electrical) preparations and edge constructions.

### FEATURES AND BENEFITS

Spartan Series Doors offer the following standard unique features, which enhance long term performance and durability.

1. Polystyrene core system enhances the structural integrity of the door, while significantly reducing the weight.
2. Full height, epoxy filled mechanical interlock edges provide structural support and stability along the full height of the door edges.
3. Patented universal hinge preparations allow for easy field conversion from standard weight (.134) hinges to heavy weight (.180) hinges.
4. 18 gage top and bottom channels provide stability and protection for the top and bottom edges from abuse.
5. Square hinge and lock edges allow for non-handed options and eliminate handing issues in the field.



6. All steel glass trim provides a clean, neat, and flush finish with the door surface
7. Factory applied baked on rust inhibiting primer in accordance with ANSI A250.10
8. Calculated R-Value of 7.14

### SPECIFICATION COMPLIANCE

1. Door construction for the Spartan Series Hollow Metal Doors meets the requirements of ANSI A250.8-1998 (commonly referred to as SDI-100).
2. Hardware preparations and reinforcements are in accordance with ANSI A250.6-1997. Locations are in accordance with ANSI/DHI A115.

### FIRE RATINGS

The Spartan Series doors offer select options for fire rating to comply with both negative and positive pressure standards (ASTM E152, UL-10B, UBC 7-2 and UL-10C).

Please contact Tell representatives to confirm what options are appropriate for your requirements.

Steel Thickness	Opening	Usage Frequency <sup>1</sup>	Frame Applications
16-Gage Galvanealed <sup>2</sup>	Interior & Exterior	Extra-Heavy Duty	16 & 14-Gage Steel Frames
18-Gage Galvanealed <sup>2</sup>	Interior & Exterior	Heavy Duty	16-Gage Steel Frames
20-Gage Galvanealed <sup>2</sup>	Interior & Exterior	Standard Duty	16-Gage Steel Frames

1. Usage frequency is based on ANSI A250.8-1998 2. Reinforcements for galvanealed doors are also galvanealed

### MATERIAL

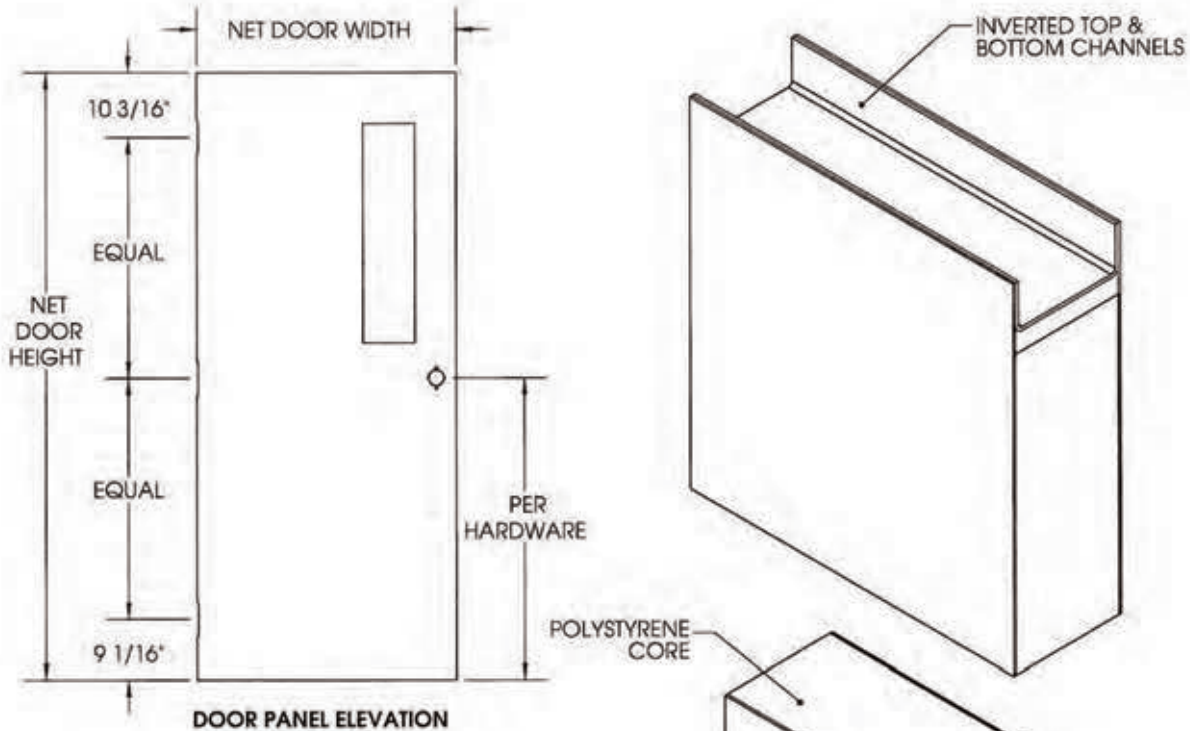
All doors are supplied with a factory applied baked on coat of paint, depending on environmental conditions this factory applied paint may serve as a finished paint or may be finish painted in the field.

### PROPRIETARY AND CONFIDENTIAL

This information is the sole property of Tell Manufacturing. Any reproduction in part or as a whole without the written permission of Tell Manufacturing is prohibited.

Core Material	R-Value	U-Value
Polystyrene	7.14	0.14
Polyurethane	11.01	0.091

Core Material	STC-Rating
Polystyrene	33
Polyurethane	31



**CONSTRUCTION NOTES:**

1. Doors are 1 3/4" (45mm) thick.
2. Door opening size maximum:  
Single door opening size 4'0" x 8'0" (1219mm x 3048mm)  
Double door opening size 8'0" x 8'0" (2438mm x 3048mm)
3. Standard operating clearances (installed in frame):  
Head = 1/8" (3mm) to bottom of head or transom panel  
Hinge and lock side = 3/32" (2mm) to rabbet on jamb
4. Standard core system:  
1.0 lb/ft<sup>3</sup> Polystyrene core is laminated to both face sheets with contact adhesive.
5. Hardware preparations: to meet specifications, doors can be prepared for all commercial mortised hardware, and can be factory reinforced for surface applied hardware applications.
  - Lock preps - details and dimensions shown are for cylindrical (ANSI 115.2) type locks or for mortise (ANSI A115.1) locks.

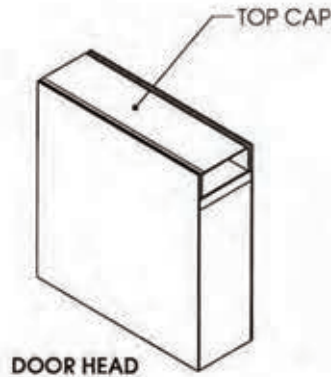
**PROPRIETARY AND CONFIDENTIAL**

THIS INFORMATION IS THE SOLE PROPERTY OF TELL DOORS & WINDOWS, LLC. ANY REPRODUCTION IN PART OR AS A WHOLE WITHOUT THE WRITTEN PERMISSION OF TELL DOORS & WINDOWS, LLC. IS PROHIBITED.

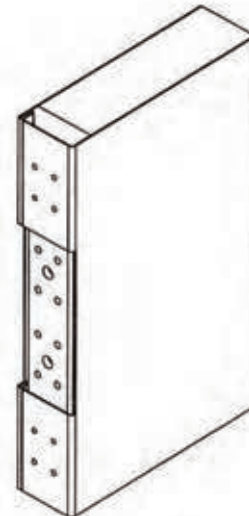




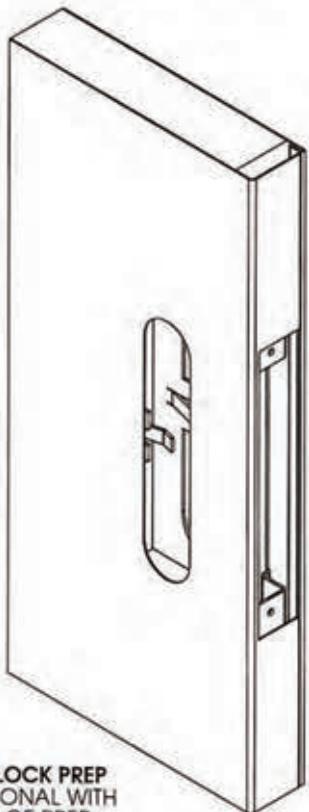
161L LOCK PREP



DOOR HEAD



HINGE PREP



86 LOCK PREP  
OPTIONAL WITH  
FACE PREP

**GENERAL NOTES:**

1. Edge construction:
  - Vertical edges (both hinge and lock) are square with a visible seam.
  - Top and bottom edges are closed with inverted 18-gage welded channels. Exterior applications require the addition of snap-in top caps to protect against the weather.
2. Optional cores available in the Spartan Series door construction:
  - Polystyrene for exterior applications in extreme weather conditions.
  - Polyurethane for exterior applications in arctic weather conditions. Not Fire Rated.
3. Standard hardware preparations: standard mortised and reinforced for:
  - Universal hinge preps - 4 1/2" (114mm) patented preparation which allows easy and quick field conversion from standard to heavy weight hinges.
  - Locks - A multitude of standard lock preps are available. The most commonly used with a 47/8" (124mm) strike are 161, 61L and 86.

**INSTALLATION:**

1. Installation shall conform to the published installation instructions, SDI 105 Recommended Installation Instructions for Steel Frames, and ANSI/DHI A115-IG Installation Guide for Doors and Hardware.
2. Fire Rated Assemblies must be in accordance with NFPA Pamphlet 80. The Authority Having Jurisdiction is the final authority in issues related to the installation and use of installed Fire Rated Doors.

**PROPRIETARY AND CONFIDENTIAL**

THIS INFORMATION IS THE SOLE PROPERTY OF TELL DOORS & WINDOWS, LLC. ANY REPRODUCTION IN PART OR AS A WHOLE WITHOUT THE WRITTEN PERMISSION OF TELL DOORS & WINDOWS, LLC. IS PROHIBITED.



## R-U VALUE INSULATION SPECS FOR SPARTAN DOORS, PAGE 1 OF 2

Technical Data Series

Rev. 0 - May 27, 2010

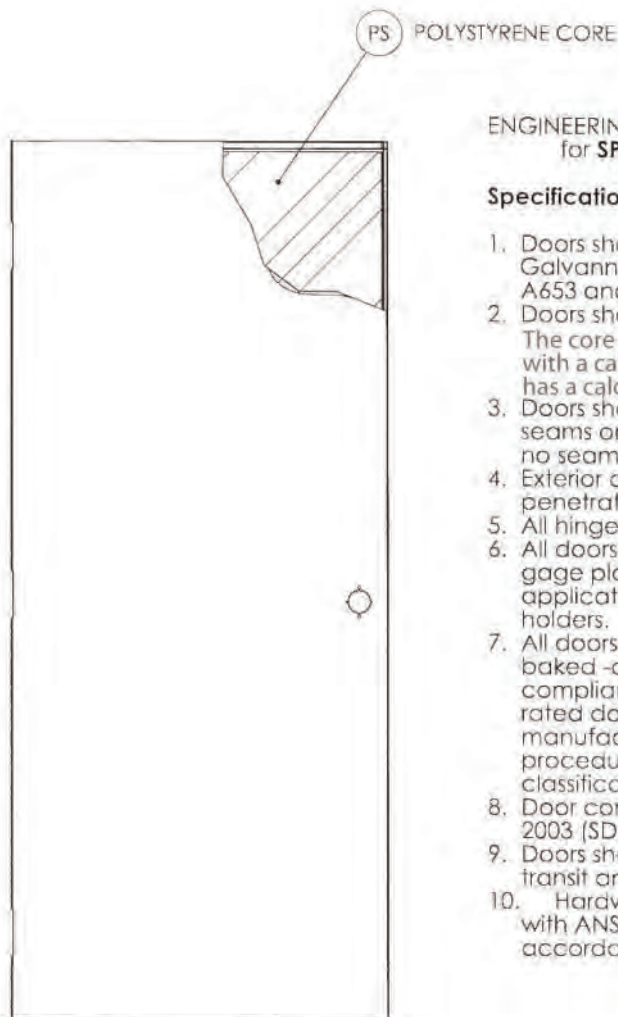


Doors & Frames

+ Hollow Metal

+ Doors

1.1



### ENGINEERING DETAILS for SPARTAN, TELSTAR, TIOGA Series Doors

#### Specifications:

1. Doors shall be formed from two 20 or 18 gage Galvannealed Steel per ASTM A924 and A653 and shall be 1-3/4" thick.
2. Doors shall have a core of rigid Polystyrene. The core shall have a nominal density of 1.0 #ft<sup>3</sup>, with a calculated "R" factor of 7.12. The door panel has a calculated "U" factor of 0.14.
3. Doors shall have vertical mechanical interlocking seams on hinge and lock edges. There shall be no seam on the faces of door.
4. Exterior doors shall be capped to retard moisture penetrating the door.
5. All hinge reinforcements shall be 3/16" thick.
6. All doors shall be internally reinforced with a 12 gage plate both sides of the door for application of surface applied door closures and holders.
7. All doors shall be cleaned and given one coat of baked -on rust- inhibitive metal primer in compliance with ANSI A250.10-2004 12. All fire rated doors, where indicated, shall be manufactured in accordance with UL procedures and bear the appropriate classification mark (label).
8. Door construction complies with ANSI A250.8-2003 (SDI 100)
9. Doors shall be packaged to minimize damage in transit and handling.
10. Hardware reinforcements are in accordance with ANSI A250.6-2003. Locations are in accordance with ANSI/BHMA A156.115



## R-U VALUE INSULATION SPECS FOR SPARTAN DOORS, PAGE 2 OF 2

Technical Data Series

Rev. 0- May 27, 2010

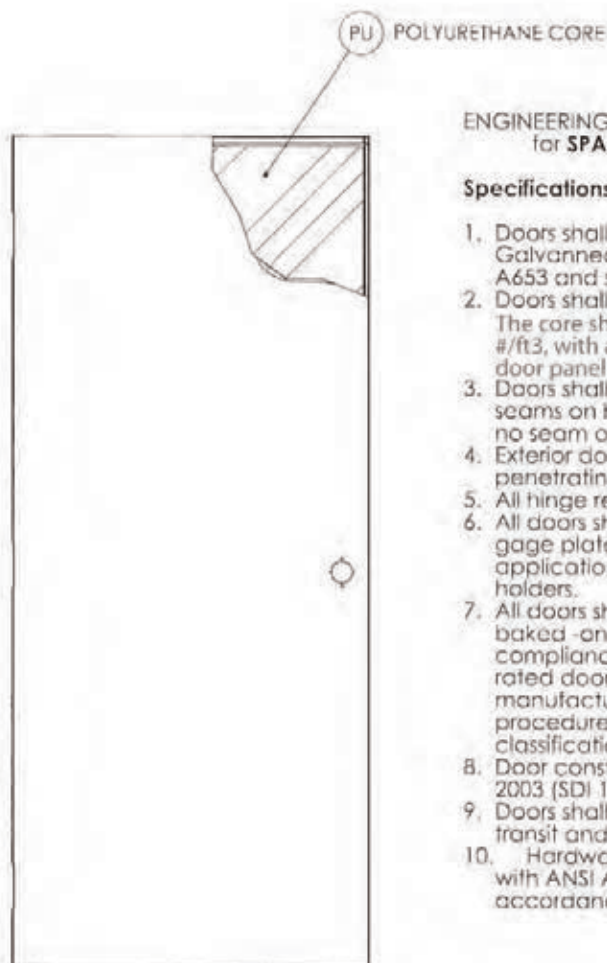


Doors & Frames

+ Hollow Metal

+ Doors

1.1



### ENGINEERING DETAILS for SPARTAN, TELSTAR & TIOGA Series Doors

#### Specifications:

1. Doors shall be formed from two 20 or 18 gage Galvannealed Steel per ASTM A924 and A653 and shall be 1-3/4" thick.
2. Doors shall have a core of rigid Polyurethane. The core shall have a nominal density of 2.0 #/ft<sup>3</sup>, with a calculated "R" factor of 11.01. The door panel has a calculated "U" factor of 0.091.
3. Doors shall have vertical mechanical interlocking seams on hinge and lock edges. There shall be no seam on the faces of door.
4. Exterior doors shall be capped to retard moisture penetrating the door.
5. All hinge reinforcements shall be 3/16" thick.
6. All doors shall be internally reinforced with a 12 gage plate both sides of the door for application of surface applied door closures and holders.
7. All doors shall be cleaned and given one coat of baked -on rust- inhibitive metal primer in compliance with ANSI A250.10-2004 12. All fire rated doors, where indicated, shall be manufactured in accordance with UL procedures and bear the appropriate classification mark (label).
8. Door construction complies with ANSI A250.8-2003 (SDI 100)
9. Doors shall be packaged to minimize damage in transit and handling.
10. Hardware reinforcements are in accordance with ANSI A250.6-2003. Locations are in accordance with ANSI/BHMA A156.115





# VIKING DOORS

## Hollow Metal Doors / Fire Rated

### Specifications

- **Door** 18 and 16 gauge galvalneal
- **Paint** Prime painted
- **Hinge Prep** Non-handed 4-1/2" 10 gauge  
Can accommodate heavyweight hinges
- **Construction** Seam welded edge
- **Channels** 16 gauge inverted top and bottom
- **Insulation** Polystyrene core
- **Top Cap** 18 gauge flush
- **Edges** Square hinge and lock edges
- **Closer Reinforcement** 14 gauge

### Options

- **Door Types** Flush, 6 panel
- **Insulation** Honeycomb (special order)
- **Lock Preps** 161, 86 edge and RIM / SVR
- **Galvanized Steel** ASTM A653 / A653-A60

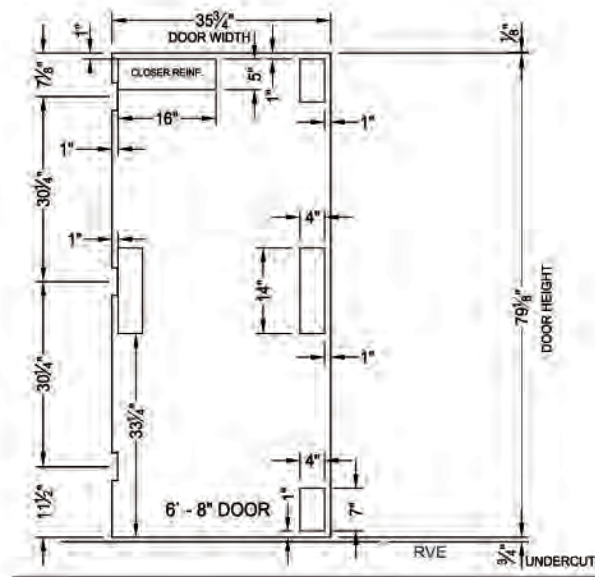
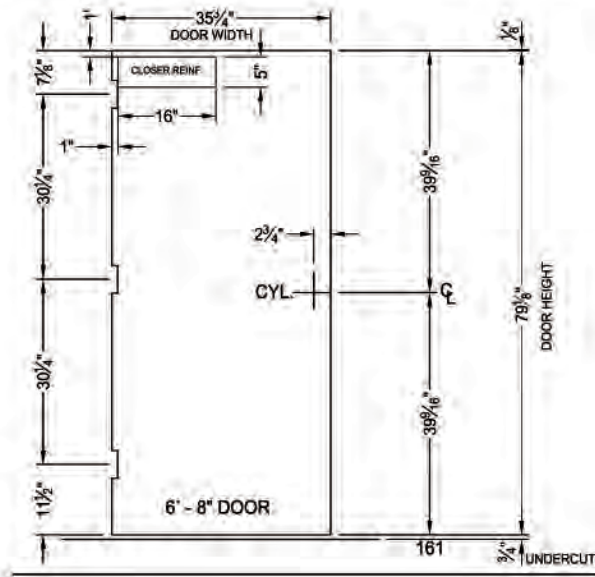
### Certifications

3 Hour Intertek / Warnock Hersey, UBC 7-2 (1997):  
ASTM E2074 (200): UL 10(b) (2008): NFPA 252 (2008):  
UL 10(b) Revision 1 (2009): UL 10(c) (2009):  
CAN / ULC S104 (2010):  
Built to SDI Specifications ANSI A250.8

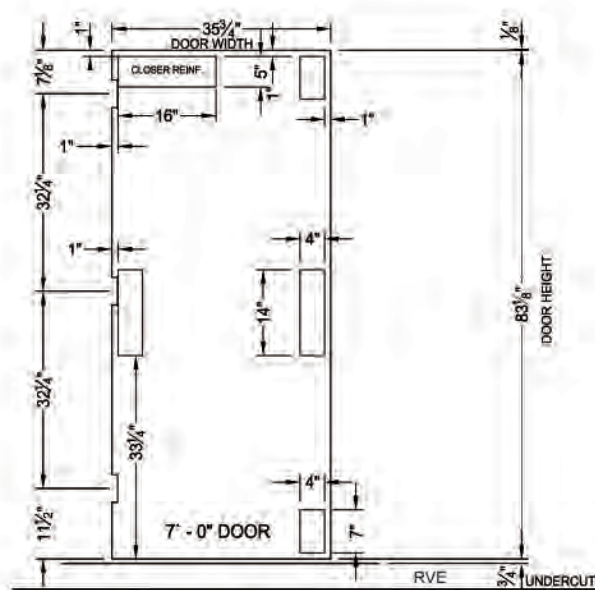
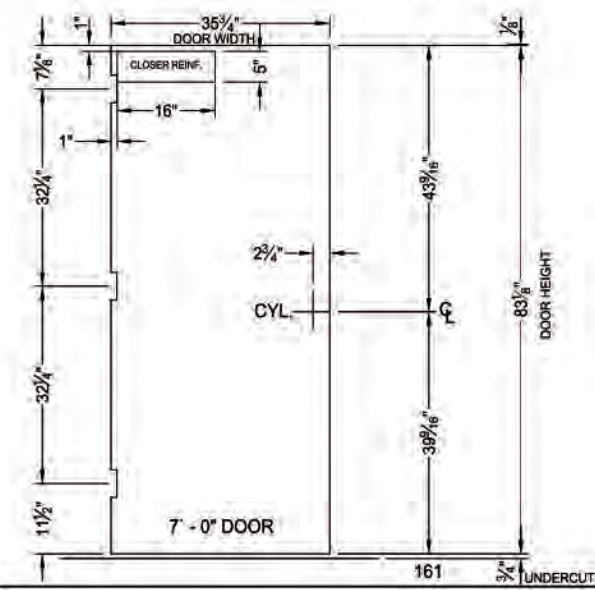


# Door Dimensions — Fire Rated

3068 Door



3070 Door





# SPARTAN

# SPARTAN

# FRAMES

DRYWALL & MASONRY

# FRAMES

DRYWALL & MASONRY



## FRAMES

## MADE IN USA

**TELL MFG** offers **SPARTAN FRAMES** in 16 gauge galvanized steel. Frames are knock-down construction and are designed to be installed on standard and non-standard wall sizes over pre-finished or unfinished drywall.

**SPARTAN** steel frames are available for 1-3/4" thick doors. They have precision mitered corners, providing a smooth attractive design and easy installation. **SPARTAN FRAMES** come standard with a prime coat, ready to be finished. Factory applied finish coat paint is available in many colors. Contact customer service for pricing and quantities required, for factory finish paint.

TELL MFG follows the same set of performance specifications as other door manufacturers, as set forth in the Steel Door Institute (SDI) requirements.



## DRYWALL FRAMES (DW)

### STANDARD FEATURES:

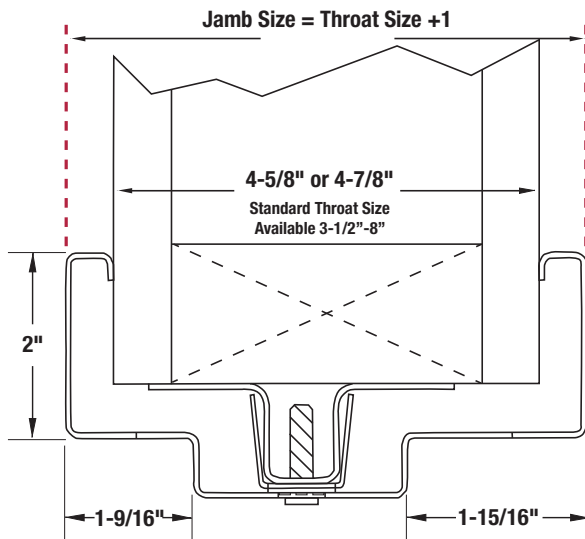
All **SPARTAN DRYWALL FRAMES** come with adjustable compression anchors in each jamb. These anchors provide a tight rigid fit in the opening.

- 16 gauge for 1-3/4" doors
- Precision fitted corners
- Galvannealed (standard)
- 7 gauge hinge reinforcements
- Heavy duty strike reinforcements
- Fire rated up to 1-1/2 hours. Available on frame openings up to 8'-0" high and 3'-8" wide single door, 7'-4" double door.
- Meets ANSI standards
- Universal 4 1/2" hinge prep



### TYPICAL WALL CONSTRUCTION

#### *Unequal Rabbet Frame*



### COMPRESSION ANCHOR





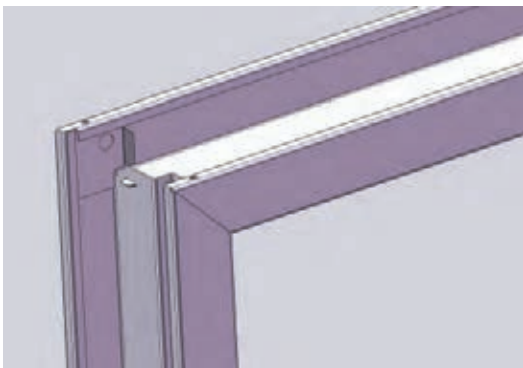


**Engineering Data — Spartan Drywall Frames**  
Revision: 0

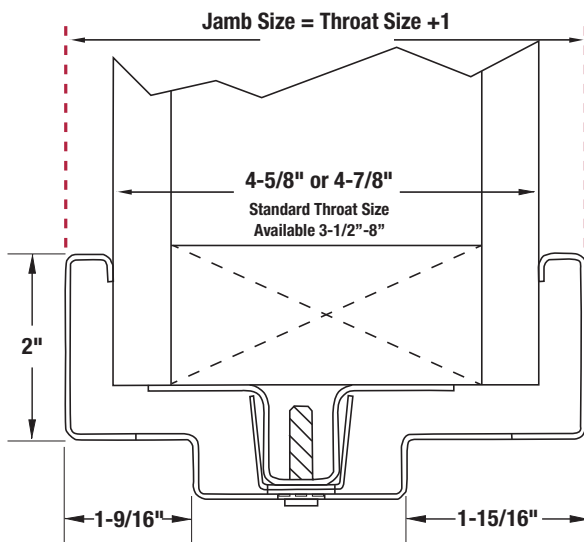
Date approved: 6/17/09  
Date revised: —

**ENGINEERING DATA FOR SPARTAN DRYWALL FRAMES**  
**SPECIFICATIONS:**

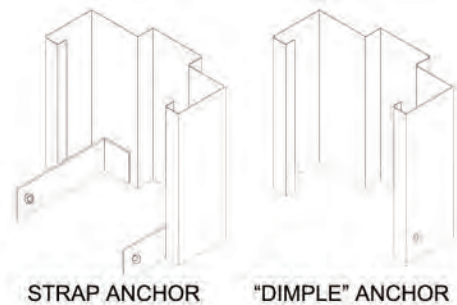
1. Will accommodate 1-3/4" doors.
2. Frames are manufactured from 16 gage steel. A1008, or Galvannealed ASTM A653.
3. Frames are knocked down and field assembled with mitered corner joint. Welded frames are available.



4. Integral compression anchors allow easy adjustment.



5. Snap-in, strap or dimple base anchors available.



6. Head jambs are reinforced with closer reinforcements when required.
7. Hinge reinforcements are 10 ga (.125min) steel.
8. Strike preparation is 4-7/8 ASA with integral box. Deadbolt strike preps available.
9. Hinge and strike locations are available in manufacturers standard locations. Custom locations are available special order.

10. Frames are prepped for three silencers per single frames.
11. Frames are e-coated with environmentally friendly water base gray. E-coat will serve as primer or top coat. Special colors available on volume orders.
12. Shim plate is attached for on-site vertical shimming.
13. Fire rating (UL) is available for most sizes.
14. Frame structure complies with ANSI A250.8-2003.
15. Hardware preparations, reinforcements and locations comply with ANSI A250.6-2003 and ANSI/BHMA A156.115.



## MASONRY FRAMES (MS)

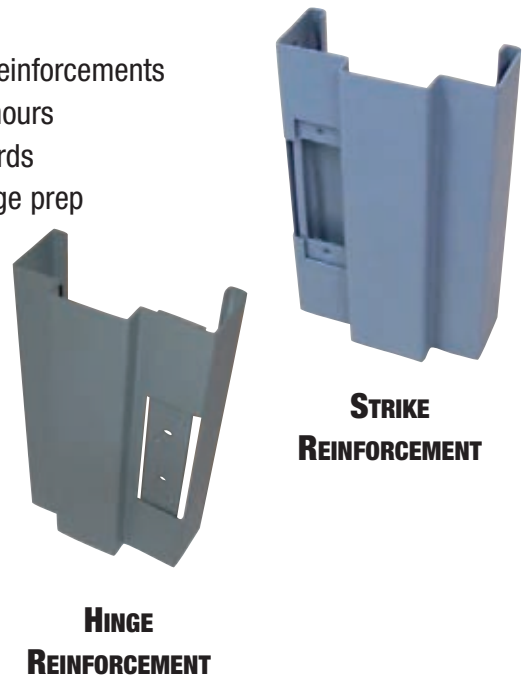
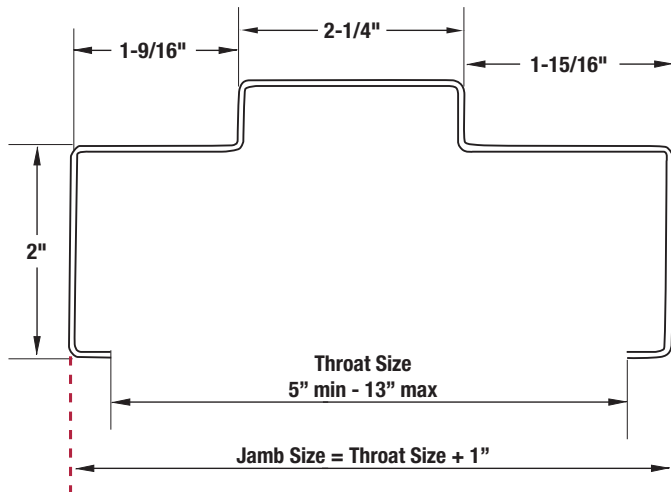
**TELL MFG** offers **SPARTAN MASONRY FRAMES** in 16 gauge galvanized steel. Frames are knock-down construction designed to be installed as a welded frame, or can be used as non welded. **SPARTAN MASONRY FRAMES** are available for 1 3/4" thick doors as standard. Precision interlocking corners provide a smooth attractive design and allow easy installation. **SPARTAN MASONRY FRAMES** come standard with a prime coat, ready to be finished. Factory applied finish coat paint is available in many colors. Contact customer service for pricing and quantities required, for factory finish paint.

### STANDARD FEATURES:

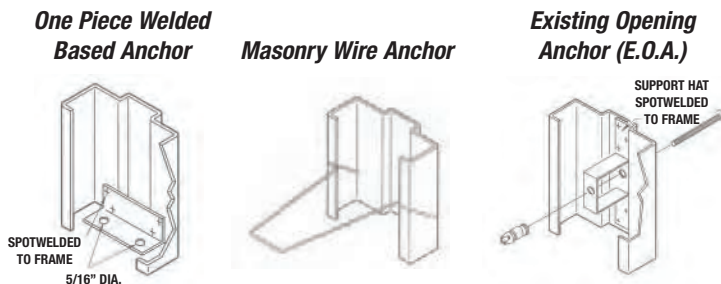
**SPARTAN MASONRY FRAMES** come with 1/2" returns. Masonry, Wood, and Existing Opening Anchoring (E.O.A.) systems are all available.

- 16 gauge for 1-3/4" doors
- Precision fitted corners
- Galvanized (standard)
- 7 gauge hinge reinforcements
- Heavy duty strike reinforcements
- Fire rated up to 3 hours
- Meets ANSI standards
- Universal 4 1/2" hinge prep

### STOCK PROFILE



### TYPICAL BASE AND WALL ANCHORS





## SPARTAN FRAMES COLOR OPTIONS



**BRONZE BZ**  
**(TIOGA)**



**MEDIUM GRAY**  
**(MSD/PRIMER GRAY)**  
**PR**



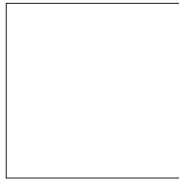
**LIGHT GRAY**  
**(TELSTAR)**  
**GR**



**OFF WHITE**  
**(TELSTAR)**  
**OW**



**TRUE WHITE**  
**(TIOGA)**  
**WH**



**BRIGHT WHITE**  
**(TELSTAR)**  
**BW**

**NO PAINT**  
**NP**

### **NOTE:**

**ACTUAL COLORS MAY VARY FROM THOSE SHOWN DUE TO LIMITATIONS OF THE PRINTING PRODUCTION PROCESS.**



# SPARTAN FRAME HOW TO ORDER CHART

## MANUFACTURED STEEL FRAMES (MSD SERIES)

FRAME SERIES	HANDING	SIZE	PROFILE	LOCK OPTION	GAUGE*	HINGE PATTERN OPTIONS	PAINT OPTIONS	OPTIONS																																
SPARTAN FRAME <b>FR</b>	RH - RIGHT HAND LH - LEFT HAND	<b>3070</b> 30 = 3 FEET, 0 INCHES WIDE 70 = 7 FEET, 0 INCHES TALL	<b>TI</b>	<b>16</b>	<b>16</b> - 16 GAUGE GALVANNEAL	<b>ASA</b>	<b>ASA</b>	<b>A</b>	<b>CR</b> - CLOSER REINFORCEMENT <b>UL</b> - UL LABEL																															
										<b>14</b> - 14 GAUGE GALVANNEAL, <i>OPTIONAL</i>	<b>WH</b>	<b>AR</b> - AIRWELD / STEELCRAFT / REPUBLIC <b>CE</b> - AIRWELD REVERSIBLE <b>PI</b> - CECO <b>CU</b> - PIONEER <b>TM</b> - CURRIES / PREMIER <b>DO</b> - TIMELY <b>DO</b> - DOMINION																												
	<b>534</b> 30 = 3 FEET, 0 INCHES WIDE 68 = 6 FEET, 8 INCHES TALL	RH - RIGHT HAND LH - LEFT HAND	<b>534</b> 30 = 3 FEET, 0 INCHES WIDE 68 = 6 FEET, 8 INCHES TALL	<b>TI</b>	<b>16</b>	<b>16</b> - 16 GAUGE GALVANNEAL	<b>ASA</b>	<b>ASA</b>	<b>A</b>	<b>CR</b> - CLOSER REINFORCEMENT <b>UL</b> - UL LABEL																														
											<b>14</b> - 14 GAUGE GALVANNEAL, <i>OPTIONAL</i>	<b>WH</b>	<b>AR</b> - AIRWELD / STEELCRAFT / REPUBLIC <b>CE</b> - AIRWELD REVERSIBLE <b>PI</b> - CECO <b>CU</b> - PIONEER <b>TM</b> - CURRIES / PREMIER <b>DO</b> - TIMELY <b>DO</b> - DOMINION																											
											<b>400</b> 30 = 3 FEET, 0 INCHES WIDE 68 = 6 FEET, 8 INCHES TALL	RH - RIGHT HAND LH - LEFT HAND	<b>400</b> 30 = 3 FEET, 0 INCHES WIDE 68 = 6 FEET, 8 INCHES TALL	<b>TI</b>	<b>16</b>	<b>14</b> - 14 GAUGE GALVANNEAL, <i>OPTIONAL</i>	<b>ASA</b>	<b>ASA</b>	<b>A</b>	<b>CR</b> - CLOSER REINFORCEMENT <b>UL</b> - UL LABEL																				
																					<b>14</b> - 14 GAUGE GALVANNEAL, <i>OPTIONAL</i>	<b>WH</b>	<b>AR</b> - AIRWELD / STEELCRAFT / REPUBLIC <b>CE</b> - AIRWELD REVERSIBLE <b>PI</b> - CECO <b>CU</b> - PIONEER <b>TM</b> - CURRIES / PREMIER <b>DO</b> - TIMELY <b>DO</b> - DOMINION																	
																					<b>434</b> 30 = 3 FEET, 0 INCHES WIDE 68 = 6 FEET, 8 INCHES TALL	RH - RIGHT HAND LH - LEFT HAND	<b>434</b> 30 = 3 FEET, 0 INCHES WIDE 68 = 6 FEET, 8 INCHES TALL	<b>TI</b>	<b>16</b>	<b>14</b> - 14 GAUGE GALVANNEAL, <i>OPTIONAL</i>	<b>ASA</b>	<b>ASA</b>	<b>A</b>	<b>CR</b> - CLOSER REINFORCEMENT <b>UL</b> - UL LABEL										
																															<b>14</b> - 14 GAUGE GALVANNEAL, <i>OPTIONAL</i>	<b>WH</b>	<b>AR</b> - AIRWELD / STEELCRAFT / REPUBLIC <b>CE</b> - AIRWELD REVERSIBLE <b>PI</b> - CECO <b>CU</b> - PIONEER <b>TM</b> - CURRIES / PREMIER <b>DO</b> - TIMELY <b>DO</b> - DOMINION							
																															<b>414</b> 60 = 6 FEET, 0 INCHES WIDE 68 = 6 FEET, 8 INCHES TALL	RH - RIGHT HAND LH - LEFT HAND	<b>414</b> 60 = 6 FEET, 0 INCHES WIDE 68 = 6 FEET, 8 INCHES TALL	<b>TI</b>	<b>16</b>	<b>14</b> - 14 GAUGE GALVANNEAL, <i>OPTIONAL</i>	<b>ASA</b>	<b>ASA</b>	<b>A</b>	<b>CR</b> - CLOSER REINFORCEMENT <b>UL</b> - UL LABEL
<b>614</b> 60 = 6 FEET, 0 INCHES WIDE 68 = 6 FEET, 8 INCHES TALL	RH - RIGHT HAND LH - LEFT HAND	<b>614</b> 60 = 6 FEET, 0 INCHES WIDE 68 = 6 FEET, 8 INCHES TALL	<b>TI</b>	<b>16</b>	<b>14</b> - 14 GAUGE GALVANNEAL, <i>OPTIONAL</i>	<b>ASA</b>	<b>ASA</b>	<b>A</b>	<b>CR</b> - CLOSER REINFORCEMENT <b>UL</b> - UL LABEL																															
										<b>14</b> - 14 GAUGE GALVANNEAL, <i>OPTIONAL</i>	<b>WH</b>	<b>AR</b> - AIRWELD / STEELCRAFT / REPUBLIC <b>CE</b> - AIRWELD REVERSIBLE <b>PI</b> - CECO <b>CU</b> - PIONEER <b>TM</b> - CURRIES / PREMIER <b>DO</b> - TIMELY <b>DO</b> - DOMINION																												
<b>814</b> 70 = 7 FEET, 0 INCHES WIDE 68 = 6 FEET, 8 INCHES TALL	RH - RIGHT HAND LH - LEFT HAND	<b>814</b> 70 = 7 FEET, 0 INCHES WIDE 68 = 6 FEET, 8 INCHES TALL	<b>TI</b>	<b>16</b>	<b>14</b> - 14 GAUGE GALVANNEAL, <i>OPTIONAL</i>	<b>ASA</b>	<b>ASA</b>	<b>A</b>	<b>CR</b> - CLOSER REINFORCEMENT <b>UL</b> - UL LABEL																															
										<b>14</b> - 14 GAUGE GALVANNEAL, <i>OPTIONAL</i>	<b>WH</b>	<b>AR</b> - AIRWELD / STEELCRAFT / REPUBLIC <b>CE</b> - AIRWELD REVERSIBLE <b>PI</b> - CECO <b>CU</b> - PIONEER <b>TM</b> - CURRIES / PREMIER <b>DO</b> - TIMELY <b>DO</b> - DOMINION																												
<b>68SJ</b> 70 = 7 FEET, 0 INCHES WIDE 68 = 6 FEET, 8 INCHES TALL	RH - RIGHT HAND LH - LEFT HAND	<b>68SJ</b> 70 = 7 FEET, 0 INCHES WIDE 68 = 6 FEET, 8 INCHES TALL	<b>TI</b>	<b>16</b>	<b>14</b> - 14 GAUGE GALVANNEAL, <i>OPTIONAL</i>	<b>ASA</b>	<b>ASA</b>	<b>A</b>	<b>CR</b> - CLOSER REINFORCEMENT <b>UL</b> - UL LABEL																															
										<b>14</b> - 14 GAUGE GALVANNEAL, <i>OPTIONAL</i>	<b>WH</b>	<b>AR</b> - AIRWELD / STEELCRAFT / REPUBLIC <b>CE</b> - AIRWELD REVERSIBLE <b>PI</b> - CECO <b>CU</b> - PIONEER <b>TM</b> - CURRIES / PREMIER <b>DO</b> - TIMELY <b>DO</b> - DOMINION																												
<b>70SJ</b> 70 = 7 FEET, 0 INCHES WIDE 68 = 6 FEET, 8 INCHES TALL	RH - RIGHT HAND LH - LEFT HAND	<b>70SJ</b> 70 = 7 FEET, 0 INCHES WIDE 68 = 6 FEET, 8 INCHES TALL	<b>TI</b>	<b>16</b>	<b>14</b> - 14 GAUGE GALVANNEAL, <i>OPTIONAL</i>	<b>ASA</b>	<b>ASA</b>	<b>A</b>	<b>CR</b> - CLOSER REINFORCEMENT <b>UL</b> - UL LABEL																															
										<b>14</b> - 14 GAUGE GALVANNEAL, <i>OPTIONAL</i>	<b>WH</b>	<b>AR</b> - AIRWELD / STEELCRAFT / REPUBLIC <b>CE</b> - AIRWELD REVERSIBLE <b>PI</b> - CECO <b>CU</b> - PIONEER <b>TM</b> - CURRIES / PREMIER <b>DO</b> - TIMELY <b>DO</b> - DOMINION																												

\*FIRE RATED FRAMES - STANDARD  
 - 1.5 HOURS ON 16 GAUGE FRAMES  
 - OPTIONAL ~ 3 HOURS UPON REQUEST  
 AS PERMITTED



# TELSTAR DOORS

- Pre-hung door and frame assembly***
- 161 lock prep***
- Deadbolt ready***
- ADA compliant threshold***
- Sweep and seal***
- Threshold flashing detaches for optional installation***
- Door reinforced for closer***
- Insulated core***
- Left or right hand reverse door***
- 20 gauge galvanized door***
- 18 gauge galvanized frame***
- Non-removable hinge pin***

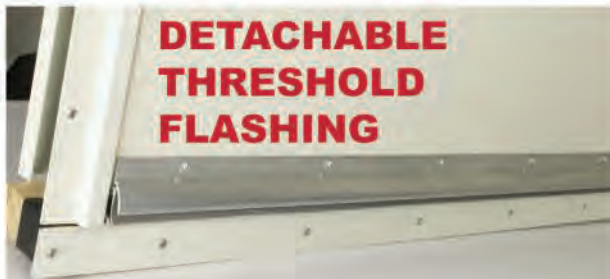
## **3 COLORS Available:**



*Actual colors may vary from those shown due to limitations of the production process.*



*(Patent pending)*



***TELL MFG follows the same set of performance specifications as other door manufacturers, as set forth in the Steel Door Institute (SDI) requirements.***

**ASA STRIKE  
PREP**



**WITH or WITHOUT  
10 X 10 LITE KIT**



**INVISIBLE  
DEADBOLT  
PREP**

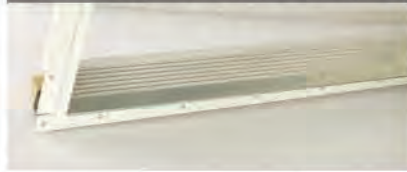
(Shown without blank plate)



**TAMPER  
RESISTANT  
HINGE**



**ADA COMPLIANT  
THRESHOLD**



**FOAM CORE**



**LOCKSET &  
DEADBOLT  
READY**



**EXIT  
DEVICE**

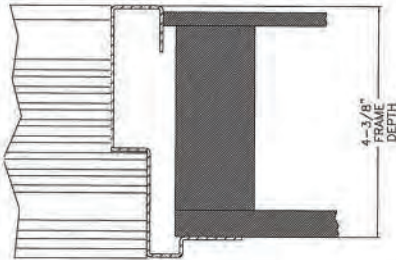


**DOOR  
REINFORCED  
FOR  
CLOSER**



**AVAILABLE IN 3 SIZES:  
SPECIFICATIONS**

**WALL SECTION**



	<b>TELSTAR*</b>	<b>TELSTAR PRO</b>	<b>TELSTAR 70 PRO</b>
<b>Rough Opening Information:</b>	36" x 80"	38" x 81"	38" x 85"
<b>Door Size:</b>	34-3/4" x 78-5/8" x 1-3/4"	35-3/4" x 79-1/8" (3068)	35-3/4" x 83-1/8" (3070)
<b>Exterior Surface Flange:</b>	38-1/2" x 82-3/4" (81-1/4" without threshold flashing)	40-3/8" x 83-5/8" (82-1/4" without threshold flashing)	40-3/8" x 87-5/8" (86-1/4" without threshold flashing)
<b>Interior Wall Overall Frame Size:</b>	35-5/8" x 79-3/4"	37-3/8" x 80-1/2"	37-3/8" x 84-1/2"

**\*WIND RATED**



## Telstar Wind Rating / FLORIDA APPROVAL: FL9277 (34-1/2" X 79" DOOR)

**Notes:**

1. All dimensions are in inches.
2. All wind load deflection testing completed with Tell LC2400 lockset/ D82051 Deadbolt or Tell 8300 Exit Device/ CTL Lever Trim.
3. Threshold sealed to jamb with non-structural sealant.
4. Seal (detail 12) applied to face of soffit.
5. Assembly is to be anchored or secured to spruce/ pine/ fir frame with #10x1" long wood screws. See anchor spacing on page 5.
6. Doors are not approved to be installed in areas requiring water penetration resistance.
7. Door models with 10" x 10" light kit require protection if installed in wind-borne debris regions.
8. Rough opening size: 36 x 80".

Design Pressure tested to ASTM E330. Wind zone ratings calculated from IBC requirements and are for reference only. Follow all local and state code requirements specific to your application.

Design Pressure Rating	Design Pressure (psf)	Wind Zone Rating (psf)				
		Exposure B		Exposure C		
Light Kit	Hardware	Zone 4	Zone 5	Zone 4	Zone 5	
none	Lockset w Deadbolt	+56	-73	170	150	150
none	Exit Device (Panic Bar)	+50	-45	150	140	140
10x10	Lockset w Deadbolt	+56	-61	170	150	140
10x10	Exit Device (Panic Bar)	+41	-37	140	120	110

Florida Approval: FL9277

FLASHING INSTALLED WITH DETENTED THRESHOLD

REV 3	REV 2	REV 1	REV 0
DATE	DATE	DATE	DATE
BY	BY	BY	BY
APP	APP	APP	APP
REV	REV	REV	REV
DATE	DATE	DATE	DATE
BY	BY	BY	BY
APP	APP	APP	APP
REV	REV	REV	REV
DATE	DATE	DATE	DATE
BY	BY	BY	BY
APP	APP	APP	APP
REV	REV	REV	REV
DATE	DATE	DATE	DATE
BY	BY	BY	BY
APP	APP	APP	APP
REV	REV	REV	REV
DATE	DATE	DATE	DATE
BY	BY	BY	BY
APP	APP	APP	APP
REV	REV	REV	REV
DATE	DATE	DATE	DATE
BY	BY	BY	BY
APP	APP	APP	APP
REV	REV	REV	REV
DATE	DATE	DATE	DATE
BY	BY	BY	BY
APP	APP	APP	APP
REV	REV	REV	REV
DATE	DATE	DATE	DATE
BY	BY	BY	BY
APP	APP	APP	APP
REV	REV	REV	REV
DATE	DATE	DATE	DATE
BY	BY	BY	BY
APP	APP	APP	APP
REV	REV	REV	REV
DATE	DATE	DATE	DATE
BY	BY	BY	BY
APP	APP	APP	APP
REV	REV	REV	REV
DATE	DATE	DATE	DATE
BY	BY	BY	BY
APP	APP	APP	APP
REV	REV	REV	REV
DATE	DATE	DATE	DATE
BY	BY	BY	BY
APP	APP	APP	APP
REV	REV	REV	REV
DATE	DATE	DATE	DATE
BY	BY	BY	BY
APP	APP	APP	APP
REV	REV	REV	REV
DATE	DATE	DATE	DATE
BY	BY	BY	BY
APP	APP	APP	APP
REV	REV	REV	REV
DATE	DATE	DATE	DATE
BY	BY	BY	BY
APP	APP	APP	APP
REV	REV	REV	REV
DATE	DATE	DATE	DATE
BY	BY	BY	BY
APP	APP	APP	APP
REV	REV	REV	REV
DATE	DATE	DATE	DATE
BY	BY	BY	BY
APP	APP	APP	APP
REV	REV	REV	REV
DATE	DATE	DATE	DATE
BY	BY	BY	BY
APP	APP	APP	APP
REV	REV	REV	REV
DATE	DATE	DATE	DATE
BY	BY	BY	BY
APP	APP	APP	APP
REV	REV	REV	REV
DATE	DATE	DATE	DATE
BY	BY	BY	BY
APP	APP	APP	APP
REV	REV	REV	REV
DATE	DATE	DATE	DATE
BY	BY	BY	BY
APP	APP	APP	APP
REV	REV	REV	REV
DATE	DATE	DATE	DATE
BY	BY	BY	BY
APP	APP	APP	APP
REV	REV	REV	REV
DATE	DATE	DATE	DATE
BY	BY	BY	BY
APP	APP	APP	APP
REV	REV	REV	REV
DATE	DATE	DATE	DATE
BY	BY	BY	BY
APP	APP	APP	APP
REV	REV	REV	REV
DATE	DATE	DATE	DATE
BY	BY	BY	BY
APP	APP	APP	APP
REV	REV	REV	REV
DATE	DATE	DATE	DATE
BY	BY	BY	BY
APP	APP	APP	APP
REV	REV	REV	REV
DATE	DATE	DATE	DATE
BY	BY	BY	BY
APP	APP	APP	APP
REV	REV	REV	REV
DATE	DATE	DATE	DATE
BY	BY	BY	BY
APP	APP	APP	APP
REV	REV	REV	REV
DATE	DATE	DATE	DATE
BY	BY	BY	BY
APP	APP	APP	APP
REV	REV	REV	REV
DATE	DATE	DATE	DATE
BY	BY	BY	BY
APP	APP	APP	APP
REV	REV	REV	REV
DATE	DATE	DATE	DATE
BY	BY	BY	BY
APP	APP	APP	APP
REV	REV	REV	REV
DATE	DATE	DATE	DATE
BY	BY	BY	BY
APP	APP	APP	APP
REV	REV	REV	REV
DATE	DATE	DATE	DATE
BY	BY	BY	BY
APP	APP	APP	APP
REV	REV	REV	REV
DATE	DATE	DATE	DATE
BY	BY	BY	BY
APP	APP	APP	APP
REV	REV	REV	REV
DATE	DATE	DATE	DATE
BY	BY	BY	BY
APP	APP	APP	APP
REV	REV	REV	REV
DATE	DATE	DATE	DATE
BY	BY	BY	BY
APP	APP	APP	APP
REV	REV	REV	REV
DATE	DATE	DATE	DATE
BY	BY	BY	BY
APP	APP	APP	APP
REV	REV	REV	REV
DATE	DATE	DATE	DATE
BY	BY	BY	BY
APP	APP	APP	APP
REV	REV	REV	REV
DATE	DATE	DATE	DATE
BY	BY	BY	BY
APP	APP	APP	APP
REV	REV	REV	REV
DATE	DATE	DATE	DATE
BY	BY	BY	BY
APP	APP	APP	APP
REV	REV	REV	REV
DATE	DATE	DATE	DATE
BY	BY	BY	BY
APP	APP	APP	APP
REV	REV	REV	REV
DATE	DATE	DATE	DATE
BY	BY	BY	BY
APP	APP	APP	APP
REV	REV	REV	REV
DATE	DATE	DATE	DATE
BY	BY	BY	BY
APP	APP	APP	APP
REV	REV	REV	REV
DATE	DATE	DATE	DATE
BY	BY	BY	BY
APP	APP	APP	APP
REV	REV	REV	REV
DATE	DATE	DATE	DATE
BY	BY	BY	BY
APP	APP	APP	APP
REV	REV	REV	REV
DATE	DATE	DATE	DATE
BY	BY	BY	BY
APP	APP	APP	APP
REV	REV	REV	REV
DATE	DATE	DATE	DATE
BY	BY	BY	BY
APP	APP	APP	APP
REV	REV	REV	REV
DATE	DATE	DATE	DATE
BY	BY	BY	BY
APP	APP	APP	APP
REV	REV	REV	REV
DATE	DATE	DATE	DATE
BY	BY	BY	BY
APP	APP	APP	APP
REV	REV	REV	REV
DATE	DATE	DATE	DATE
BY	BY	BY	BY
APP	APP	APP	APP
REV	REV	REV	REV
DATE	DATE	DATE	DATE
BY	BY	BY	BY
APP	APP	APP	APP
REV	REV	REV	REV
DATE	DATE	DATE	DATE
BY	BY	BY	BY
APP	APP	APP	APP
REV	REV	REV	REV
DATE	DATE	DATE	DATE
BY	BY	BY	BY
APP	APP	APP	APP
REV	REV	REV	REV
DATE	DATE	DATE	DATE
BY	BY	BY	BY
APP	APP	APP	APP
REV	REV	REV	REV
DATE	DATE	DATE	DATE
BY	BY	BY	BY
APP	APP	APP	APP
REV	REV	REV	REV
DATE	DATE	DATE	DATE
BY	BY	BY	BY
APP	APP	APP	APP
REV	REV	REV	REV
DATE	DATE	DATE	DATE
BY	BY	BY	BY
APP	APP	APP	APP
REV	REV	REV	REV
DATE	DATE	DATE	DATE
BY	BY	BY	BY
APP	APP	APP	APP
REV	REV	REV	REV
DATE	DATE	DATE	DATE
BY	BY	BY	BY
APP	APP	APP	APP
REV	REV	REV	REV
DATE	DATE	DATE	DATE
BY	BY	BY	BY
APP	APP	APP	APP
REV	REV	REV	REV
DATE	DATE	DATE	DATE
BY	BY	BY	BY
APP	APP	APP	APP
REV	REV	REV	REV
DATE	DATE	DATE	DATE
BY	BY	BY	BY
APP	APP	APP	APP
REV	REV	REV	REV
DATE	DATE	DATE	DATE
BY	BY	BY	BY
APP	APP	APP	APP
REV	REV	REV	REV
DATE	DATE	DATE	DATE
BY	BY	BY	BY
APP	APP	APP	APP
REV	REV	REV	REV
DATE	DATE	DATE	DATE
BY	BY	BY	BY
APP	APP	APP	APP
REV	REV	REV	REV
DATE	DATE	DATE	DATE
BY	BY	BY	BY
APP	APP	APP	APP
REV	REV	REV	REV
DATE	DATE	DATE	DATE
BY	BY	BY	BY
APP	APP	APP	APP
REV	REV	REV	REV
DATE	DATE	DATE	DATE
BY	BY	BY	BY
APP	APP	APP	APP
REV	REV	REV	REV
DATE	DATE	DATE	DATE
BY	BY	BY	BY
APP	APP	APP	APP
REV	REV	REV	REV
DATE	DATE	DATE	DATE
BY	BY	BY	BY
APP	APP	APP	APP
REV	REV	REV	REV
DATE	DATE	DATE	DATE
BY	BY	BY	BY
APP	APP	APP	APP
REV	REV	REV	REV
DATE	DATE	DATE	DATE
BY	BY	BY	BY
APP	APP	APP	APP
REV	REV	REV	REV
DATE	DATE	DATE	DATE
BY	BY	BY	BY
APP	APP	APP	APP
REV	REV	REV	REV
DATE	DATE	DATE	DATE
BY	BY	BY	BY
APP	APP	APP	APP
REV	REV	REV	REV
DATE	DATE	DATE	DATE
BY	BY	BY	BY
APP	APP	APP	APP
REV	REV	REV	REV
DATE	DATE	DATE	DATE
BY	BY	BY	BY
APP	APP	APP	APP
REV	REV	REV	REV
DATE	DATE	DATE	DATE
BY	BY	BY	BY
APP	APP	APP	APP
REV	REV	REV	REV
DATE	DATE	DATE	DATE
BY	BY	BY	BY
APP	APP	APP	APP
REV	REV	REV	REV
DATE	DATE	DATE	DATE
BY	BY	BY	BY
APP	APP	APP	APP
REV	REV	REV	REV
DATE	DATE	DATE	DATE
BY	BY	BY	BY
APP	APP	APP	APP
REV	REV	REV	REV
DATE	DATE	DATE	DATE
BY	BY	BY	BY
APP	APP	APP	APP
REV	REV	REV	REV
DATE			



## R-U VALUE INSULATION SPECS FOR TELSTAR DOORS, PAGE 1 OF 2

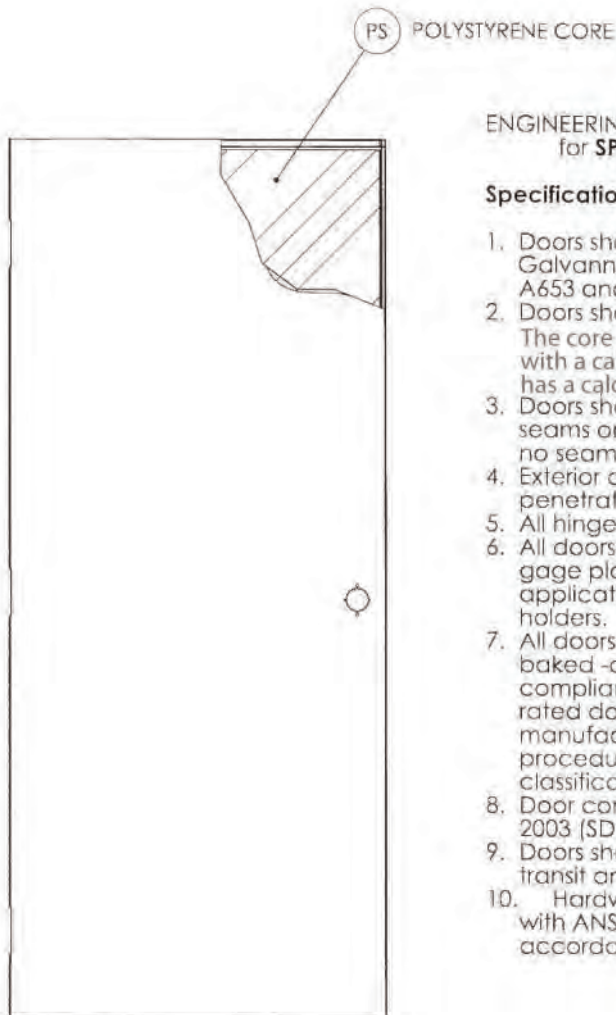
Technical Data Series

Rev. 0 - May 27, 2010



Doors & Frames  
+ Hollow Metal  
+ Doors

1.1



### ENGINEERING DETAILS for SPARTAN, TELSTAR, TIOGA Series Doors

#### Specifications:

1. Doors shall be formed from two 20 or 18 gage Galvannealed Steel per ASTM A924 and A653 and shall be 1-3/4" thick.
2. Doors shall have a core of rigid Polystyrene. The core shall have a nominal density of 1.0 #ft<sup>3</sup>, with a calculated "R" factor of 7.12. The door panel has a calculated "U" factor of 0.14.
3. Doors shall have vertical mechanical interlocking seams on hinge and lock edges. There shall be no seam on the faces of door.
4. Exterior doors shall be capped to retard moisture penetrating the door.
5. All hinge reinforcements shall be 3/16" thick.
6. All doors shall be internally reinforced with a 12 gage plate both sides of the door for application of surface applied door closures and holders.
7. All doors shall be cleaned and given one coat of baked -on rust- inhibitive metal primer in compliance with ANSI A250.10-2004 12. All fire rated doors, where indicated, shall be manufactured in accordance with UL procedures and bear the appropriate classification mark (label).
8. Door construction complies with ANSI A250.8-2003 (SDI 100)
9. Doors shall be packaged to minimize damage in transit and handling.
10. Hardware reinforcements are in accordance with ANSI A250.6-2003. Locations are in accordance with ANSI/BHMA A156.115





## R-U VALUE INSULATION SPECS FOR TELSTAR DOORS, PAGE 2 OF 2

Technical Data Series

Rev. 0 - May 27, 2010

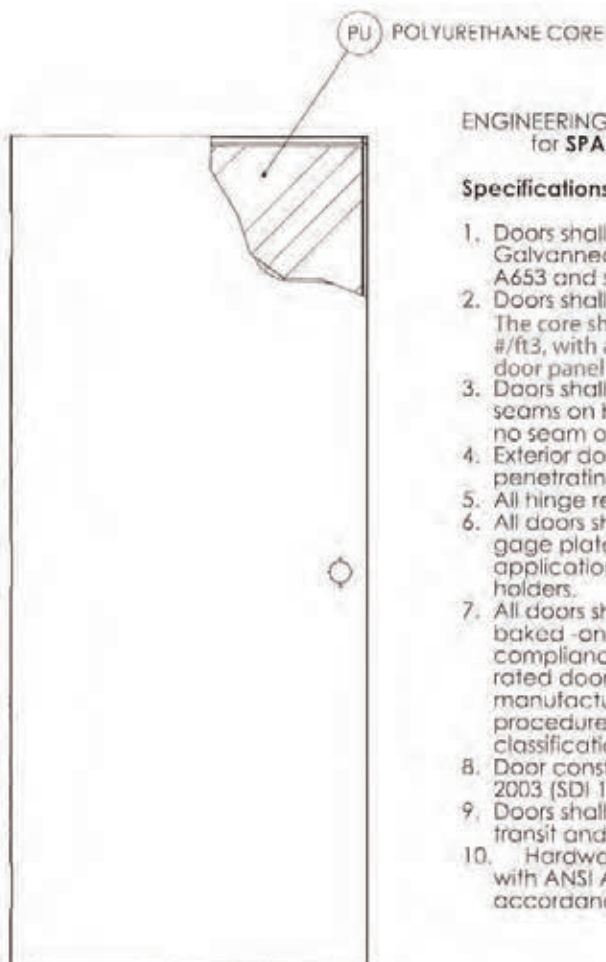


Doors & Frames

+ Hollow Metal

+ Doors

1.1



### ENGINEERING DETAILS for SPARTAN, TELSTAR & TIOGA Series Doors

#### Specifications:

1. Doors shall be formed from two 20 or 18 gage Galvannealed Steel per ASTM A924 and A653 and shall be 1-3/4" thick.
2. Doors shall have a core of rigid Polyurethane. The core shall have a nominal density of 2.0 #/ft<sup>3</sup>, with a calculated "R" factor of 11.01. The door panel has a calculated "U" factor of 0.091.
3. Doors shall have vertical mechanical interlocking seams on hinge and lock edges. There shall be no seam on the faces of door.
4. Exterior doors shall be capped to retard moisture penetrating the door.
5. All hinge reinforcements shall be 3/16" thick.
6. All doors shall be internally reinforced with a 12 gage plate both sides of the door for application of surface applied door closures and holders.
7. All doors shall be cleaned and given one coat of baked -on rust- inhibitive metal primer in compliance with ANSI A250.10-2004 12. All fire rated doors, where indicated, shall be manufactured in accordance with UL procedures and bear the appropriate classification mark (label).
8. Door construction complies with ANSI A250.8-2003 (SDI 100)
9. Doors shall be packaged to minimize damage in transit and handling.
10. Hardware reinforcements are in accordance with ANSI A250.6-2003. Locations are in accordance with ANSI/BHMA A156.115

# How To ORDER TELSTAR DOOR



DOOR HOLLOW METAL	DEADBOLT	WINDOW SIZE	STEEL	ROUGH OPENING SIZE
<b>DR</b>	<b>DB</b>	<b>W/10X10</b>	<b>A40</b>	<b>35.5" X 79.75"</b>
<b>DR</b>	<b>DB</b>	<b>W/10X10</b>	<b>OW</b>	<b>35.5" X 79.75"</b>
<b>DR</b>	<b>DB</b>	<b>W/10X10</b>	<b>GR</b>	<b>71.5" X 79.75"</b>
<b>DR</b>	<b>DB</b>	<b>W/10X10</b>	<b>BW</b>	<b>38" X 81"</b>
<b>DR</b>	<b>DB</b>	<b>W/10X10</b>	<b>WH</b>	<b>38" X 85"</b>
<b>DR</b>	<b>DB</b>	<b>W/10X10</b>	<b>BZ</b>	<b>74" X 81"</b>
<b>DR</b>	<b>DB</b>	<b>W/10X10</b>		<b>74" X 85"</b>

ALL DOORS & FRAMES ARE A40 GALVALUME STEEL

10" X 10", BLANK / NO WINDOW

OFF WHITE

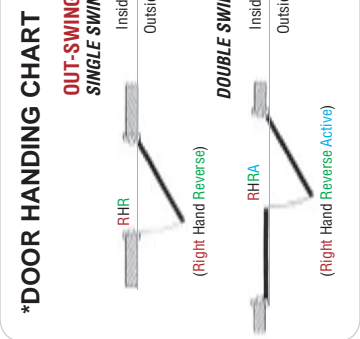
LIGHT GRAY

BRIGHT WHITE

TRUE WHITE (3070 PRO SERIES)

BRONZE (3070 PRO SERIES)

COLOR OF PAINT OPTIONS



ROUGH OPENING SIZE

COLOR OF PAINT OPTIONS

\*DOOR HANDING CHART

OUT-SWING DOORS SINGLE SWING DOORS

DOUBLE SWING DOORS



# TIOGA DOORS

## PRE-ASSEMBLED COMMERCIAL DOORS

**WIND RATED /  
FLORIDA APPROVED**

### Standard Features:

- **Door Leaf** 20 gauge insulated door, galvanized, heavy duty hinge reinforcements, non-handed (reversible)
- **Frame** 16 gauge, galvanized, heavy duty hinge reinforcement, non-handed (reversible), standard profile
- **Sub Frame** 16 gauge, galvanized, paintable
- **Hardware** Extra heavy duty lever lock (LC2481 CTL 26D), latchguard, 4.5" x 4.5" BB NRP hinges 26D, threshold ADA compliant, door bottom sweep, adjustable weather seal, adjustable "L" mounting clips
- **SDI Standards** TELL MFG follows the same set of performance specifications as other door manufacturers, as set forth in the Steel Door Institute (SDI) requirements.

### Common Features:

- Complete preassembly in factory
- White or Bronze finish
- Heavy duty crating, per job

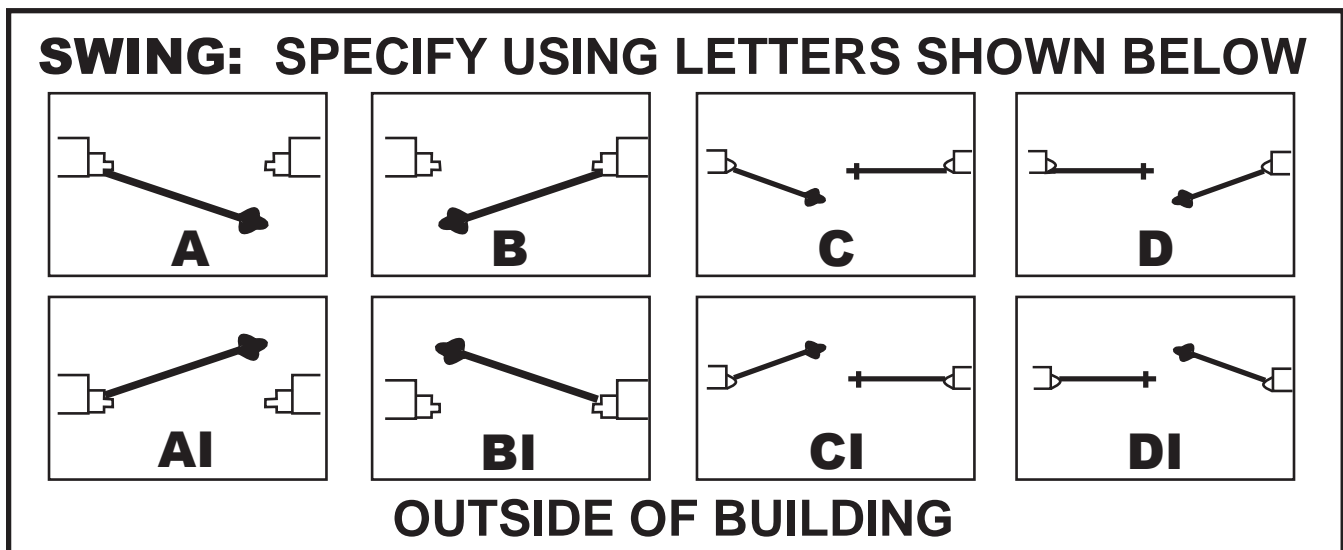
### Optional Features:

- Door(s) may be upgraded to 18 gauge.
- All hardware sold by Tell Manufacturing, Inc. can be added or substituted as an option.
- Masonry system available
- Fire rated system available



## TIOGA METAL BUILDING HANDING CHART

Handing of doors and frames present a problem for many, even within the door industry. The below chart is designed to make your choice easy, reducing the chances of error.



At TELL MANUFACTURING, INC., our goal is to reduce problems that often arise for the builders / erectors. The TIOGA preassembled door system is a result of this effort. With complete factory assembly of all components — door, frame, sub frame and hardware — problems found during field installation are held to a minimum. Typical field installation is usually completed in under 30 minutes. Time normally added for the field installation of numerous options are now a thing in the past. We invite you to "experience the difference" of how the TIOGA door system can benefit your company.



## R-U VALUE INSULATION SPECS FOR TIOGA DOORS, PAGE 1 OF 2

Technical Data Series

Rev. 0 - May 27, 2010

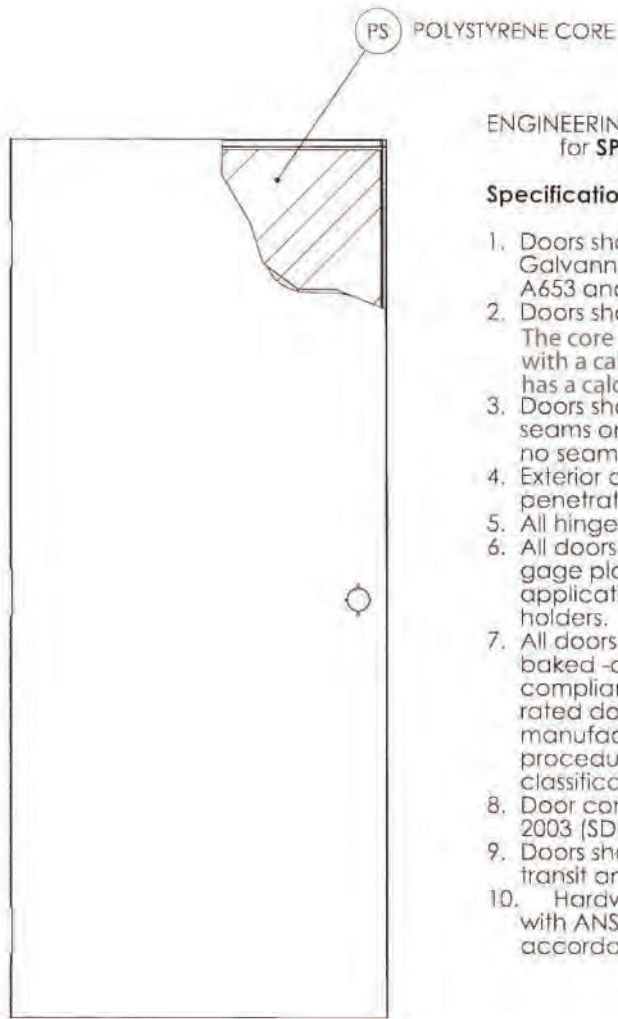


Doors & Frames

+ Hollow Metal

+ Doors

1.1



### ENGINEERING DETAILS for SPARTAN, TELSTAR, TIOGA Series Doors

#### Specifications:

1. Doors shall be formed from two 20 or 18 gage Galvannealed Steel per ASTM A924 and A653 and shall be 1-3/4" thick.
2. Doors shall have a core of rigid Polystyrene. The core shall have a nominal density of 1.0 #ft<sup>3</sup>, with a calculated "R" factor of 7.12. The door panel has a calculated "U" factor of 0.14.
3. Doors shall have vertical mechanical interlocking seams on hinge and lock edges. There shall be no seam on the faces of door.
4. Exterior doors shall be capped to retard moisture penetrating the door.
5. All hinge reinforcements shall be 3/16" thick.
6. All doors shall be internally reinforced with a 12 gage plate both sides of the door for application of surface applied door closures and holders.
7. All doors shall be cleaned and given one coat of baked -on rust- inhibitive metal primer in compliance with ANSI A250.10-2004 12. All fire rated doors, where indicated, shall be manufactured in accordance with UL procedures and bear the appropriate classification mark (label).
8. Door construction complies with ANSI A250.8-2003 (SDI 100)
9. Doors shall be packaged to minimize damage in transit and handling.
10. Hardware reinforcements are in accordance with ANSI A250.6-2003. Locations are in accordance with ANSI/BHMA A156.115



## R-U VALUE INSULATION SPECS FOR TIOGA DOORS, PAGE 2 OF 2

Technical Data Series

Rev. D - May 27, 2010

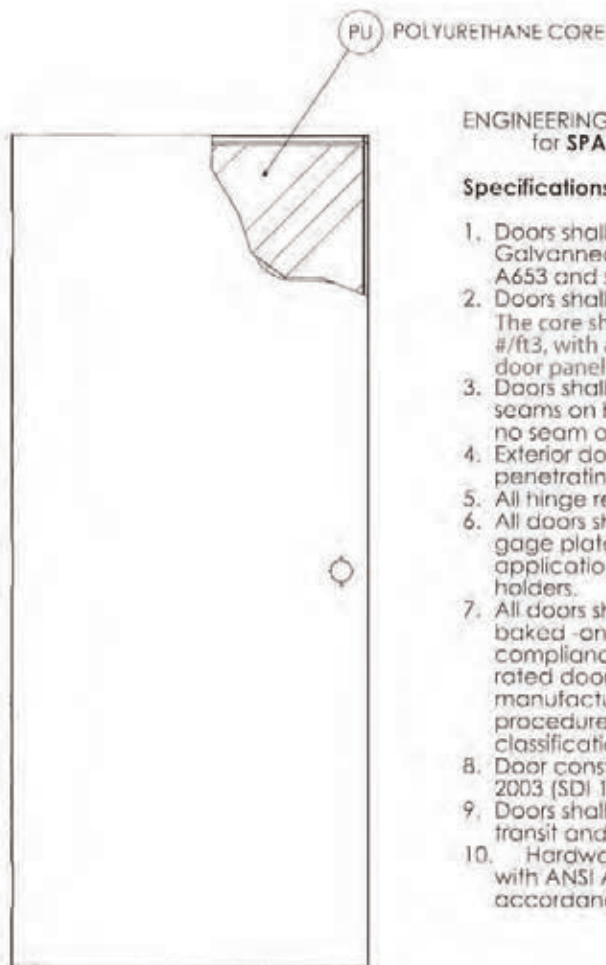


Doors & Frames

+ Hollow Metal

+ Doors

1.1



### ENGINEERING DETAILS for SPARTAN, TELSTAR & TIOGA Series Doors

#### Specifications:

1. Doors shall be formed from two 20 or 18 gage Galvanized Steel per ASTM A924 and A653 and shall be 1-3/4" thick.
2. Doors shall have a core of rigid Polyurethane. The core shall have a nominal density of 2.0 #/ft<sup>3</sup>, with a calculated "R" factor of 11.01. The door panel has a calculated "U" factor of 0.091.
3. Doors shall have vertical mechanical interlocking seams on hinge and lock edges. There shall be no seam on the faces of door.
4. Exterior doors shall be capped to retard moisture penetrating the door.
5. All hinge reinforcements shall be 3/16" thick.
6. All doors shall be internally reinforced with a 12 gage plate both sides of the door for application of surface applied door closures and holders.
7. All doors shall be cleaned and given one coat of baked-on rust-inhibitive metal primer in compliance with ANSI A250.10-2004 12. All fire rated doors, where indicated, shall be manufactured in accordance with UL procedures and bear the appropriate classification mark (label).
8. Door construction complies with ANSI A250.8-2003 (SDI 100)
9. Doors shall be packaged to minimize damage in transit and handling.
10. Hardware reinforcements are in accordance with ANSI A250.6-2003. Locations are in accordance with ANSI/BHMA A156.115

# TIOGA PRE-ASSEMBLED DOOR HOW TO ORDER CHART

**DOOR SWING\*\***

<b>DI</b>	RIGHT HAND ACTIVE
<b>D</b>	RIGHT HAND REVERSE ACTIVE
<b>CI</b>	LEFT HAND ACTIVE
<b>C</b>	LEFT HAND REVERSE ACTIVE
<b>BI</b>	RIGHT HAND
<b>B</b>	RIGHT HAND REVERSE
<b>AI</b>	LEFT HAND
<b>A</b>	LEFT HAND REVERSE

**DOOR SERIES**

<b>STD</b>	STANDARD TIOGA PRE-ASSEMBLED DOOR
<b>MA</b>	MASONRY
<b>FR</b>	FIRE RATED

**SIZE\***

<b>6070</b>	60 = 6 FEET, 0 INCHES WIDE 70 = 7 FEET, 0 INCHES TALL
<b>4070</b>	40 = 4 FEET, 0 INCHES WIDE 70 = 7 FEET, 0 INCHES TALL
<b>3070</b>	30 = 3 FEET, 0 INCHES WIDE 70 = 7 FEET, 0 INCHES TALL

**WINDOW KIT OPTIONS**

<b>10X10 INS</b>	10 INCHES X 10 INCHES INSULATED GLASS
<b>10X10 TEMP</b>	10 INCHES X 10 INCHES TEMPERED GLASS
<b>24X30 INS</b>	24 INCHES X 30 INCHES INSULATED GLASS
<b>24X30 TEMP</b>	24 INCHES X 30 INCHES TEMPERED GLASS
<b>16X16 INS</b>	16 INCHES X 16 INCHES INSULATED GLASS
<b>16X16 TEMP</b>	16 INCHES X 16 INCHES TEMPERED GLASS
<b>6X30 INS</b>	6 INCHES X 30 INCHES INSULATED GLASS
<b>6X30 TEMP</b>	6 INCHES X 30 INCHES TEMPERED GLASS

**SPECIAL CONDITIONS PLEASE INDICATE ON ORDER / EXAMPLES LISTED**

<b>KEYING</b>	SPECIAL KEYING SITUATIONS
<b>CURB</b>	CALL-OUT CURB WALL
<b>CLIP</b>	EXTRA CLIPS
<b>GIRT***</b>	EXTENDED GIRT HEIGHT***
<b>EOA</b>	EXISTING OPENING ANCHORS

**DOOR TYPE**

<b>20A</b>	20 GAUGE SKIN (STANDARD)
<b>20X</b>	20 GAUGE TEXTURED SKIN (OPTIONAL)
<b>18A</b>	18 GAUGE SKIN (OPTIONAL)

**Gauge\***

**DOOR HARDWARE OPTIONS**

<b>LC1200</b>	GRADE 1 LEVER
<b>ML1300</b>	MORTISE LEVER
<b>EXIT</b>	PANIC LEVER
<b>LC2481</b>	GRADE 2 CYLINDRICAL LEVER (STANDARD)
<b>DB</b>	GRADE 2 DEADBOLT
<b>CLOSER</b>	GRADE 1 CLOSER
<b>LATCH</b>	LATCH GUARD

**HINGES**

<b>BBNRP</b>	BALL BEARING, NON-REMOVABLE PIN HINGE (STANDARD)
<b>WH</b>	TIOGA WHITE
<b>BZ</b>	TIOGA BRONZE

**PAINT OPTIONS**

**HARDWARE OPTIONS**

<b>A</b>	<b>AI</b>
<b>B</b>	<b>BI</b>
<b>C</b>	<b>CI</b>
<b>D</b>	<b>DI</b>

**\*\*DOOR SWING: SPECIFY USING LETTERS SHOWN BELOW**

**OUTSIDE OF BUILDING**

**\*\*\*GIRT (SUBJAMB) WIDTH OPTIONS**

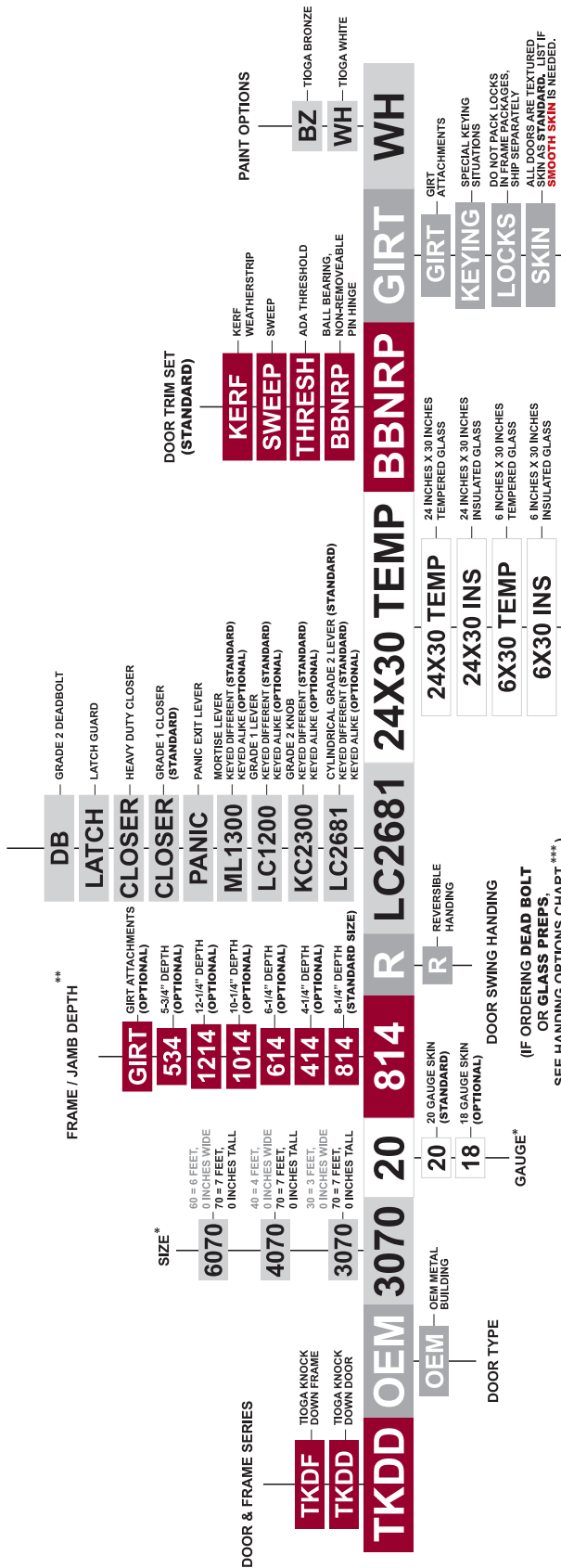
4-3/4"	- SPECIAL ORDER, 2-5 WEEKS LEAD TIME
6-1/2"	- SPECIAL ORDER, 2-5 WEEKS LEAD TIME
7"	- SPECIAL ORDER, 2-5 WEEKS LEAD TIME
8"	- IN STOCK SIZE
8-1/2"	- IN STOCK SIZE
9-1/2"	- SPECIAL ORDER, 2-5 WEEKS LEAD TIME
10"	- SPECIAL ORDER, 2-5 WEEKS LEAD TIME
12"	- SPECIAL ORDER, 2-5 WEEKS LEAD TIME

**\*SIZE AND GAUGE NOTES:**  
**FIRE RATED DOORS - STANDARD**  
 — 1.5 HOURS ON 20 GAUGE DOORS  
 — 3 HOURS ON 18 GAUGE DOORS  
**TEXTURED DOORS** AVAILABLE ONLY IN 20 GAUGE  
 AND 3070 AND 6070 SIZES. NOT AVAILABLE IN FIRE-RATED.  
**FIRE-RATED** AND 18 GAUGE DOORS NEED HEAVY-DUTY  
 CLOSER TO MEET REQUIREMENTS.  
 SAME APPLIES TO 4070 DOORS.

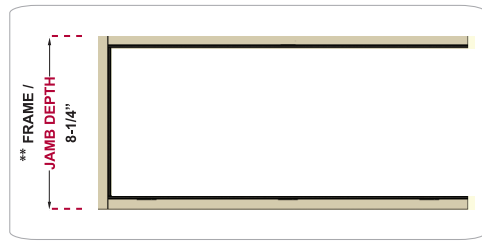
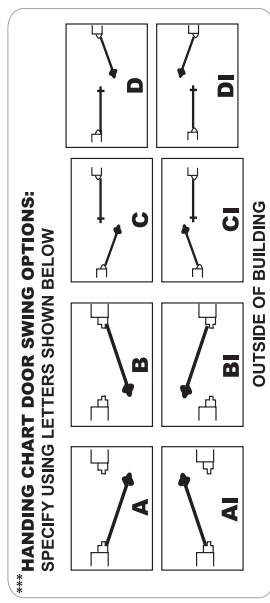
# TIOGA KNOCK DOWN DOOR AND FRAME HOW TO ORDER CHART

## HARDWARE OPTIONS

(LOCKS ARE PACKED IN THE FRAME CARTON AS STANDARD. IF PREFERRED TO SHIP SEPARATELY, PLEASE LIST - SEE SPECIAL CONDITIONS)



SPECIAL CONDITIONS PLEASE INDICATE ON ORDER / EXAMPLES LISTED



**\*SIZE AND GAUGE NOTES:**  
 TEXTURED DOORS AVAILABLE ONLY IN 20 GAUGE AND 3070 AND 6070 SIZES. NOT AVAILABLE IN FIRE-RATED.  
 SMOOTH DOORS ARE AVAILABLE UPON REQUEST. NOT AVAILABLE IN FIRE-RATED.



## Wood Doors



### Birch Door

- 1-3/4" solid core unfinished hardwood door with a birch veneer
- Standard size 3'0" x 6'8" x 1-3/4"
- Handed
- 20 minute fire rated
- Beveled lock edge
- Standard lock prep for 2-3/4" backset cylindrical lock
- Standard hinge prep for 3 each 4-1/2" x 4-1/2" standard weight hinges
- TELL MFG follows the same set of performance specifications as other door manufacturers, as set forth in the Steel Door Institute (SDI) requirements.



### Oak Door

- 1-3/4" solid core prefinished door with an embossed imperial oak veneer
- Standard size 3'0" x 6'8" x 1-3/4"
- Handed
- 20 minute fire rated
- Beveled lock edge
- Standard lock prep for 2-3/4" backset cylindrical lock
- Standard hinge prep for 3 each 4-1/2" x 4-1/2" standard weight hinges





# PREFINISHED DOOR FRAMES

STEEL



## INCOMPARABLE STEEL DOOR FRAME SYSTEMS FROM THE LEADER

- **Quality.** Assured by Timely's 30 plus trendsetting years in the field.
- **Versatility.** 5 casing design options, 6 stocking and 29 custom colors.
- **Safety.** Full 90-minute fire rating available.
- **Strength & Beauty.** Sturdy full perimeter anchoring, plus matching borrowed lites and sidelites.



**TIMELY**  
PREFINISHED STEEL DOOR FRAMES  
A DIVISION OF S.D.S. INDUSTRIES, INC.

- TELL MFG follows the same set of performance specifications as other door manufacturers, as set forth in the Steel Door Institute (SDI) requirements.

**FOR ADJUSTABLE AND STANDARD TIMELY FRAME INSTALLATION VIDEOS, PLEASE GO TO OUR WEBSITE =**  
[http://www.tellmfg.com/Timely\\_Doors\\_ADJ\\_FRAME\\_INSTALL\\_VIDEO.html](http://www.tellmfg.com/Timely_Doors_ADJ_FRAME_INSTALL_VIDEO.html)

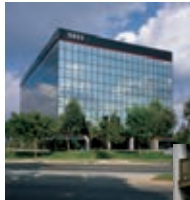


## Proof By Comparison: Timely Is Number 1

Start with Timely's fastening system. It gives these prefinished steel frames a door holding capability that equals or surpasses a 16 gauge one-piece hollow metal frame. This super strong full-perimeter fastening system, complete with accessories, is available in 18 or 20 gauge cold rolled steel. Installation is easy, due to a patented casing clip system.

Timely prefinished door frames with applied-after casings are also considerably more versatile than hollow metal frames. With Timely, the most specialized design criteria are met by a wide selection of "snap-lock" trims in aluminum, PVC, stainless steel, steel and wood (wood trims supplied by others) which can be easily fastened to the basic steel frame. Timely also fulfills requirements for lead-lined, fire-resistant aluminum, steel adjustable or pocket door frames.

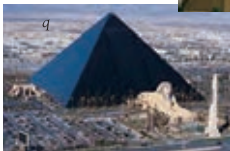
When it comes to economy, Timely surpasses hollow metal frames too. Because Timely frames are prefinished, they can be installed after the walls are painted eliminating the hazards associated with job-site painting, which can result in costly spills, poor touch-ups and disruption of work schedules.



*The Timely touch enhances major office buildings across the country.*



*Timely frames are frequently specified for apartment communities.*



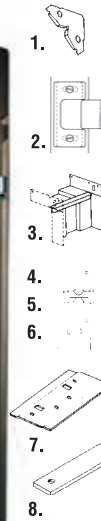
*Timely is the architect's choice for Class A projects.*

Timely offers maximum savings in both labor and materials. The frames are adaptable to many different wall sizes and conditions and sleeve over the wall after the wall is finished. Installation can be accomplished in under 15 minutes.

Timely prefinished steel door frames have the flexibility to go wherever your imagination takes you in color coordination and interior design.

For unmatched quality and performance, look to the proven leader—Timely.

## High Performance Features



The total opening concept from Timely incorporates unique features, adding up to economical, attractive and stronger door installations.

- 1. Casing Corner Connector** holds mitered corners tight. MiterGard™ featured on TA-8 casings.
- 2. Adjustable Strike** permits full 1/4" adjustment, assures positive, rattle-free fit.
- 3. Full Width Aligning Tabs** correctly align uprights and header.
- 4. Pre-punched Fastener Holes** mean easier fastening.
- 5. Individually Attached Casing Clips** assure a snug casing fit that follows the irregularity of walls.
- 6. Alignment Slot** oval punch-outs allow visual check of frame spacing and adjustment during installation.
- 7. 14 Ga. Hinge Reinforcement Plates** are factory attached to give hinge strength of a 12 ga. frame.
- 8. TA-10, TA-12, TA-25 Reinforcement Brackets** are one of many reinforcements for door guards, closers and other hardware applications. Reversible Hardware Locations mean no handing in 6'8" heights.

## A Wider-Than-Ever Choice of Colors

Timely finishes make ordinary painting obsolete. That's because it's a baked-on polyester base paint, applied in coil form, assures superior durability, performance and appearance.

Also, Timely's optional chromatic electro-galvanized base under the finished paint gives added protection to exterior and high-humidity installations.

Quoted pricing is based on Western White and Browntone, unless other colors are specified. Orders for special finishes must be accompanied by a color sample for approval, pricing and lead time. For bright polished stainless steel or brass frames, specify the Elite Series.

### Timely Finishes

— Standard Price —



BROWNTONE(SC101)\*



WESTERN WHITE(SC107)\*

— Add 52¢ per ft. —



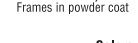
AUTUMN BROWN(SC102)



BLACK (SC103)\*



STONE GRAY(SC106)



ALUMATONE(SC108)

\*Available for Adjustable Frames in powder coat

### Pre-Matched Custom Finishes

(Custom color matching also available. Submit color chip, Consult factory for pricing).

NAVAJO WHITE(CC104) WINTER WHITE(CC105)



WHITE WHITE(CC301) WHITE SMOKE(CC302)



BONE CHINA(CC303) DESIGNER WHITE(CC304)



CHARCOAL(CC401) CAPE COD GRAY(CC402)



NEUTRAL GRAY(CC403) NICKEL (CC404)



DRIFTWOOD(CC501) SANDY BEACH(CC502)



CAMEO BEIGE(CC503) COZY PEACH(CC504)



BROWN SUGAR(CC601) COCOA(CC602)



DOESKIN(CC603) HARVEST MOON(CC604)



CORDOVAN(CC701) RUBY RED (CC702)



ROSE DUST(CC703) MAUVE MIST (CC704)



PACIFIC BLUE (CC801) TWILIGHT (CC802)



COUNTRY BLUE(CC803) JADE (CC901)



KENTUCKY GRASS(CC902) MIAMI WATERS (CC903) MALIBU GREEN(CC904)

### Elite Series



BRIGHT SOLID BRASS(ES201)



BRIGHT PLATED BRASS(ES202)



STAINLESS STEEL 430 BRIGHT (ES204)



304 #4 BRUSHED STAINLESS STEEL (ES206)

Colors shown may vary slightly



## New Worlds Of Door Frame Design Options

The Timely frame system offers the advantages of a patented, sustained-tension clip which holds the casing securely to the wall creating tight miters. This system permits the use of the following 5 versatile casing profiles and a choice of wood trims supplied by others:

TA-8 Standard Steel Casing, widely admired for its classic profile, enhances any home or office setting.

TA-30 Colonial Steel Casing adds that special warmth which distinguishes quality-built assisted living, hotels and motels, offices, apartments and homes. New TA-31N corner piece also featured.

TA-35 PVC Colonial Casing, a delicately defined extruded PVC molding, is quickly applied to Timely's clip system. Painted or in wood grain finishes.

TA-28 Aluminum Casings is a full width aluminum casing without a reveal offering the advantages of a steel door frame.

TA-23 Aluminum Casing displays the crisp lines of an aluminum trim, while providing the economy and strength of steel.

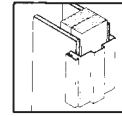


Adjustable Frame

## Timely Delivers Unsurpassed Quality Wherever It's Needed

The Timely frame is designed for fast positioning and accurate fit which results in dependable operation. Using these unique features, the door frame can be installed in less than 15 minutes in most common walls. It is simply a matter of sleeving the frame over the wall, hanging the premachined door, fastening the frame and snapping on the casing to conceal fasteners. Timely prefinished steel door frames can be attached to just about any type of construction material including wood stud and drywall (as illustrated here) plus:

- Wood Stud/Stucco/Drywall
- Wood Stud/Brick/Drywall
- Steel Stud/Drywall
- Masonry/Subbuck
- Pocket Door Trim
- (Adjustable Frame) Wood Stud/Drywall/Sound Board



### Adjustable Frame

For walls with varying thicknesses, the Timely Adjustable Frame utilizes a slide guide system that allows the frame to adjust from 3 3/4" to 9 1/8" with only 3 closure strips to fit any wall within this range.

## Code Acceptability, Certification

### SINGLE SWING FRAMES

	MAXIMUM OPENING SIZE		WALL SIZE		FRAME SERIES
	WIDTH	HEIGHT	MIN	MAX	
20 MIN.*	4/0	10/0	3 3/4"	13"	C
45 MIN. "C" LABEL	4/0	9/0	3 3/4"	13"	S,C,M,A,**E
90 MIN. "B" LABEL	4/0	9/0	3 3/4"	13"	S,C,M,A,**E

\*Negative pressure only

\*\*Maximum openings over 4/0 x 8/0.

### FULL BOUND WITH DOOR

	MAXIMUM OPENING SIZE		WALL SIZE		FRAME SERIES
	WIDTH	HEIGHT	MIN	MAX	
45 MIN. "C" LABEL	4/0	5/0	3 3/4"	13"	S,C,E
90 MIN. "B" LABEL	4/0	5/0	3 3/4"	13"	C

### PAIR FRAMES

	MAXIMUM OPENING SIZE		WALL SIZE		FRAME SERIES
	WIDTH	HEIGHT	MIN	MAX	
20 MIN.	For 20 Min. Pair, use C Label Requirements				
45 MIN. "C" LABEL	8/0	9/0	3 3/4"	13"	S,M,C,E
90 MIN. "B" LABEL	8/0	9/0	3 3/4"	13"	S,M,C,E

### ADJUSTABLE FRAMES

	MAXIMUM OPENING SIZE		WALL SIZE		FRAME SERIES
	WIDTH	HEIGHT	MIN	MAX	
45 MIN. "C" LABEL	6/0	8/0	3 3/4"	9 1/8"	A
90 MIN. "B" LABEL	6/0	8/0	3 3/4"	9 1/8"	A

Positive pressure testing available.

### GENERAL INFORMATION

All ratings are usable for steel stud, wood stud, or masonry construction (steel subbuck).

Wood or aluminum casing does not affect ratings.

Single frames not prepared for strikes must use TA-12 rim panic strike reinforcement.

Fire ratings not approved for deadbolt strike only.

Reinforcements are required when using door closers to maintain fire ratings.

Fire ratings not approved for 1 3/8" frames.

All ratings approved for category "A" and "B" doors with category "G" edge sealing.

**Solid brass not rated.**

### SIDELITE, BORROWED LITE AND GLAZED TRANSOMS "S" or "C" GAUGE.

Wood Casing permitted on sidelites or borrowed lites for 20 Min. without vertical or horizontal mullions in glass area.

GLASS STOP SIZE	RATING	MAX ASSEMBLY SIZE 10'-1" W X 10'-1" H		WALL SIZE		MAX GLASS AREA
		WIDTH	HEIGHT	MIN	MAX	
1/2	45 MIN	24"	107"	3 3/8"	13"	*2568 SQ IN
**1/2	45 MIN	36"	54"	3 3/8"	13"	1296 SQ IN
NO STOP						
3/4	45 MIN	36"	54"	3 3/8"	13"	1296 SQ IN
GLASS STOP SIZE	RATING	MAX ASSEMBLY SIZE		MULLIONS NOT PERMITTED WALL SIZE		MAX GLASS AREA
		WIDTH	HEIGHT	MIN	MAX	
1/2	20 MIN	36"	36"	3 3/8"	13"	1296 SQ IN
**1/2	60 MIN	36"	36"	3 3/8"	13"	1296 SQ IN

Do not exceed maximum assembly size.

\*Most building codes limit glass area to 1,296 sq. in. Do not exceed 1,296 sq. in. without verifying with local code authorities prior to specifying or ordering

\*\*Must be caulked using 100% Pure Silicone Sealant.

\*\*\*Must use Firelite® glazing and install in a 5/8" wide glazing recess with 100% Pure Silicone Sealant.



## Timely Sidelites and Borrowed Lites

The beauty and economy of the Timely frame sidelite and borrowed lite system are available to meet most glazed opening requirements. And because they're prefinished, they can be applied over finished walls. As a result, costly time delays and special fabrication are avoided.



## CONDENSED ARCHITECTURAL SPECIFICATIONS (Detailed specification available.)

### PART 1 GENERAL

#### 1.1 Section Includes

- A. Fire-rated, prefinished steel door frames and sidelights.

#### 1.2 Related Sections

- A. See Division 8 for related doors and hardware.

#### 1.3 References

- A. Intertek Testing Services (WHI).
- B. Underwriter's Laboratory (UL).

#### 1.4 Submittals

- A. Product Data: Indicate frame configuration and finishes.
- B. Shop Drawings: Indicate frame elevations, reinforcements, anchor types and spacings, location of cut-outs for hardware and finish.
- C. Provide copies of manufacturer's standard warranty.

#### 1.5 Quality Assurance

- A. Manufacturer: A firm with no less than 10 years experience in the manufacturing of the principal materials for the required work.
- B. Installer: A firm with no less than 5 years experience in the installation of pre-finished frames as demonstrated by previous successful installation.

#### 1.6 Regulatory Requirements

- A. Fire rated frame construction: Conform to UL 10C standards

#### 1.7 Delivery, Storage and Protection

- A. Store frames in dry protected area off the ground. Do not cover with tarp. (Will cause moisture chamber).
- B. Package pre-finished frames individually with all surfaces protected against shipping and handling damage until time of installation.

### PART 2 PRODUCTS

#### 2.1 Manufacturers

- A. Timely Industries, 10241 Norris Ave., Pacoima, CA 818 492 -3500.

#### 2.2 Frames

- A. (18), (20), gage, (Steel), (Brass), (Stainless Steel).

#### 2.3 Casings

- A. Provide (Steel), (Aluminum), (Brass), (Steel), (PVC), (Wood), (\_\_\_) casings with corner alignment clips as shown on drawings.

#### 2.4 Fabrication

- A. All frames formed from cold rolled sheet steel conforming to ASTM-A366.
- B. Roll form or break frames to standard shapes as shown on drawings.
- C. Prepare frames for heat-treated, zinc-plated casing retainer clips. Clips mechanically fastened for secure, properly aligned installation of casing.
- D. Provide holes on perimeter of frame for insertion of fasteners.
- E. Provide oval alignment slots to allow for insertion of screwdriver to adjust frame.

- F. All frames to have 14 gage hinge-reinforcement with extruded tapped holes, for a minimum of 3/16" thread penetration depth.
- G. Strikes: (Provide for 2 3/4" adjustable "T") (Prepare for field applied ASA 4 7/8" as required).
- H. Provide standard field applied reinforcement for surface mounted hardware.
- J. Provide (WHI), (\_\_\_) fire rated frames as shown on drawings.

#### 2.5 Finishes

- A. Factory Finish: Impact resistant polyester baked enamel.
- B. Steel: Chemically cleaned, bonderized, primed and painted in coils. Galvanized steel prior to painting in any exterior, high humidity, or corrosive area.
- C. Provided aerosol touch-up paint for after installation, on-sight repair as recommended by manufacturer.

### PART 3 EXECUTION

#### 3.1 Examination

- A. Verify existing conditions before starting work.
- B. Verify that rough opening sizes and wall thicknesses are acceptable.
- C. Verify finish hardware requirements for each opening to provide proper reinforcement, preparation, and anchorage.

#### 3.2 Installation

- A. Coordinate installation with other trades to avoid conflict.
- B. Use(pre-fit template door) (actual door) in opening to assure proper alignment and clearances.
- C. Anchor frame with one drywall screw adjacent to each casing clip.
- D. Align all parts with proper clearance to assure proper fit, tight miters, and desired performance.
- E. Provide instruction sheets for all frames, sidelites, and borrowed lights for field use.

#### 3.3 Cleaning

- A. Remove all boxes, wrappers, papers and debris from each opening.
- B. Wipe frames with moist cloth and mild glass cleaner to remove grease, dust, or other debris.

#### 3.4 Final inspection

- A. Inspect each opening for proper operation, correct hardware, general appearance and proper installation.
- B. Make any necessary adjustments.
- C. Provide product information, instruction manuals and standard warranty.
- D. Replace any frames shown to be defective under the terms of the manufacturer's warranty.



(Detailed specification available through Spec Data MANU-SPEC Program or Timely Industries)

## TIMELY INDUSTRIES LIMITED WARRANTY

S.D.S. Industries, Inc., a California Corporation D.B.A. Timely Industries (hereafter called Timely), warrants to the original consumer purchaser that its Timely Prefinished Steel Door Frame when utilized for interior frame use, will be free from defects in material and workmanship for a period of one year from the date of purchase.

This warranty is applicable only when the products covered by it:

- 1) have been installed in accordance with the recommended written installation instructions of Timely Industries and with established building practices.
- 2) have been accorded treatment which is considered good practice in the Building Industry regarding storage and maintenance.
- 3) have been subjected only to normal use because Timely Industries cannot control the manner in which its products are handled after leaving its premises. This warranty does not apply to the finish or accessories of any product and shall not apply to any frame exposed to a corrosive or humid environment.

ANY AND ALL IMPLIED WARRANTIES APPLICABLE HERETO ARE LIMITED TO ONE

YEAR FROM THE DATE OF PURCHASE. Some states do not allow limitations on how long an implied warranty lasts, so the above time limitation may not apply to you. In the event the original consumer purchaser of any Timely Industries Prefinished Steel Door Frame believes that the frame or any parts thereof covered by this warranty is defective, a letter outlining the alleged defect should be sent postage prepaid to the following address:

TIMELY INDUSTRIES, 10241 NORRIS AVENUE, PACOIMA, CA 91331

Any Timely Prefinished Steel Door Frame or any parts thereof covered by this warranty which, upon inspection by an authorized Representative of Timely Industries are found by said Representative to be defective, will at the option of Timely Industries either repair, replace, or refund the purchase price of the frame or component part. Liability is limited to repair, replacement, or refund and does not include labor, installation cost, or indirect or consequential damages of any nature. Some states do not allow the exclusion or limitation of incidental or consequential damages, so the above limitation or exclusion set forth in this paragraph may not apply to you.

## TECHNICAL SUPPORT

Timely is not only recognized as the originator of the prefinished drywall frame concept, but the firm is well known for its innovative ideas, products and applications. Timely provides the services of a tool and die shop, a knowledgeable sales force and stocking distributors to satisfy your needs on time and at competitive prices. We are committed to providing nothing less than the best.

See us on the Internet at <http://www.TimelyFrames.com>



10241 NORRIS AVE. • PACOIMA, CALIFORNIA 91331-2292  
(818) 492-3500 • (800) 247-6242 • FAX (818) 492-3530  
9782 INTEROCEAN DRIVE, CINCINNATI, OHIO 45246  
(513) 682-9600 • (800) 346-4395 • FAX (513) 682-4102

©Copyright 2002 Timely  
Form No.35033A-Rev.2008 Printed in U.S.A.



## LIMITED WARRANTY

**TELL MANUFACTURING, INC.** and **TELL DOOR AND WINDOWS, LLC**, (henceforth referred to as “TELL” or “Manufacturer”) manufacturers of commercial grade door and frames, hereby offers the following described warranty.

ALL doors and door frames manufactured by the above company(s) carry a full one year warranty. Said product will be free from defects in workmanship and material for a period of one year from date of purchase. This warranty further extends to defects of splitting, cracking or deterioration due to rusting through of the product, from the date of purchase. If during this period a door or frame is found defective in workmanship or material, such claim must be submitted to Tell Manufacturing, 18 Richard Drive, Lititz, PA 17543; Attention: Claims Department. TELL reserves the right to send an approved representative to inspect on site or may require photographs be sent showing the item(s) in question. Upon inspection if the item(s) is deemed defective or faulty, Authorization for repair or replacement will be made at TELL'S option. The item(s) will be provided at no charge to the customer. No warranty is extended by the manufacturer for any field labor, travel time, or freight involving said item(s).

All products must be stored on site, installed properly and maintained in accordance with Manufacturer's instructions. This warranty shall be null and void if the product is not stored, installed properly and maintained pursuant to the Manufacturer's specifications and/or instructions. This warranty does not extend to normal wear or to damage by circumstances beyond the Manufacturer's control and is VOID when any component part or the complete door unit fails, due to the following: alteration, misuse, negligence, accident, improper installation, lightning, water damage, exposure to corrosive fumes or chemicals, condensation, fire, riots, war or any acts of God, or when performance coatings used to finish the door are not suitable. NO WARRANTY is extended by the Manufacturer for broken windows or light frames or for the indirect cost (ie. shipping, field labor) which may be required to repair or replace defective part(s). NO WARRANTY is extended by the Manufacturer for minor scratches, rubs or slight variations in color of doors and frames, as these are not considered defects.

Claims must be made within fifteen (15) calendar days of the discovery of the suspected defect and such notice shall indicate the nature of the defect. The full and proper address, contact name, and telephone number for a return reply must be included. Photographs of the problem should accompany a claim if at all possible. After receiving notification of a claim, a TELL field representative shall be permitted to inspect if needed. Inspection will be performed within a reasonable period of time, and if upon verification a defect due to defective materials or faulty workmanship on the part of the manufacturer is found, and not caused by the aforementioned exclusions, the repair(s) or replacement(s) (Manufacturer's option), exclusive of labor or freight will be made at no cost to the owner.

TELL provides product pre-painted. Each door and frame is carefully constructed of corrosion resistant galvanized/galvalume steel. All door and frame products are factory prefinished with a low gloss industrial quality paint which is designed to meet or exceed the paint requirements for steel doors and frames, as set by the Steel Door Institute. This allows a customer the option of applying a final coat of paint, or no additional painting is required to honor the 1 year warranty. No claim is made that this is to be considered a long term finish/final coat. Manufacturer does not consider minor scratches or rubs to be defects. Variations in color may occur.

Products stored “on site” awaiting building construction, must be uncrated and stored at a minimum incline of thirty degrees to allow for proper drainage and drying. Failure to do so may result in paint adhesion failure. NO WARRANTY is extended by the manufacturer for paint adhesion failure due to improper storage of the product.

**THIS WARRANTY IS MADE IN LIEU OF ALL OTHER WARRANTIES, EXPRESSED OR IMPLIED AND ALL OTHER OBLIGATIONS OR LIABILITIES OF TELL MANUFACTURING, INC. AND TELL DOOR AND WINDOW, LLC. THIS WARRANTY NEITHER ASSUMES NOR AUTHORIZES ANY PERSON TO ASSUME FOR TELL ANY OTHER OBLIGATION OR LIABILITIES IN CONNECTION WITH SAID DOORS AND FRAMES. TELL'S LIABILITY SHALL BE LIMITED TO REPLACING OR REPAIRING THE MATERIAL FOUND TO BE DEFECTIVE AND TELL SHALL NOT BE RESPONSIBLE FOR ANY INCIDENTAL OR CONSEQUENTIAL LOSS OR DAMAGES ARISING OUT OF ANY BREACH OF THIS EXPRESS LIMITED WARRANTY**, including but not limited to, (1) cost of parts, labor and service charges which are performed by others at any time or place, (2) damage to buildings or other property, (3) injuries or damages sustained by any persons whomever, (4) recovery of any direct or indirect costs such as shipping, installation labor charges, paint or painting, (5) other building materials. **ALL CLAIMS UNDER THIS WARRANTY SHALL REQUIRE PROOF OF PURCHASE.**





# FINISHES

Tell Manufacturing, Inc.



US3  
Bright Brass (polished finish)  
US4  
Satin Brass



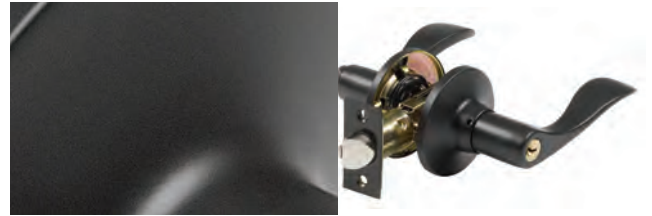
US15  
Satin Nickel



US5  
Antique Brass



USP  
Prime Coat



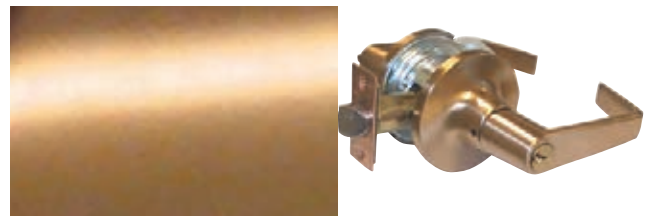
US10B  
Oil Rubbed Bronze



US32D  
Satin Stainless Steel  
US32  
Bright Stainless Steel (polished finish)



US26D  
Satin Chrome  
US26  
Bright Chrome (polished finish)



US10  
Satin Bronze

**NOTE:**

**ACTUAL COLORS MAY VARY FROM THOSE SHOWN DUE TO LIMITATIONS OF THE PRINTING PRODUCTION PROCESS.**

**TELL MANUFACTURING IS FOCUSED ON SELLING COMMERCIAL DOORS AND DOOR HARDWARE.**

Tell is founded and operated upon a philosophy of providing quality products at competitive prices and supported by a wealth of industry expertise and exceptional service...the incomparable definition of VALUE, unmatched by our competitors.

**PRODUCTS** – Our product lines consist of commercial and residential grade locksets, door closers, exit devices, door trim and commercial steel doors and frames with complete U.L. listed preparation capabilities.



**CORPORATE**

Tell Manufacturing  
18 Richard Drive  
Lititz, PA 17543

*p:* 717.625.2990  
*fx:* 888.370.3253

**OTHER LOCATIONS**

**Alabama:** *Homewood*  
202 Distribution Drive  
Homewood, AL 35209

**California:** *Mira Loma*  
12481 Riverside Drive  
Building D #A  
Mira Loma, CA 91752

**Indiana:** *Elkhart*  
2936 Lillian Street  
Elkhart, IN 46514

**Texas:** *Grand Prairie*  
1018 Avenue M  
Grand Prairie, TX 75050

**Texas:** *Houston*  
2505 West 11th Street  
Houston, TX 77008

800-433-4047 | [tellmfg.com](http://tellmfg.com)

