

**STEP 1**

PREPARE DOOR PER TEMPLATE PROVIDED. INSTALL LATCH AS SHOWN. NOTE- TIGHTEN SCREWS SECURING THE LATCH AFTER STEP 2.

NOTE: INSTALL WITH DOOR OPEN. DO NOT USE POWER TOOLS FOR ASSEMBLY OR YOU COULD DAMAGE THE LOCK.

**STEP 2**

INSTALL OUTSIDE LOCK ASSEMBLY IN CUTOUT. GUIDE THE WIRE HARNESSSES THROUGH THE CUTOUTS. LINE UP RETRACTOR ON THE LOCK BODY WITH THE LATCH TAIL PIECE. TIGHTEN THE LATCH SCREWS.

NOTE: DO NOT PULL OR PINCH THE WIRE HARNESSSES.

**STEP 3**

INSTALL INSIDE MOUNTING PLATE. GUIDE WIRES THROUGH BOTTOM SLOT. SECURE WITH INSIDE MOUNTING SCREWS AND COLLAR.

NOTE: DO NOT PINCH WIRES

USE SPANNER WRENCH TO TIGHTEN COLLAR

**STEP 4**

INSTALL BATTERY TRAY. PLUG IN WIRE HARNESSSES WHERE INDICATED.

**STEP 5**

INSTALL BATTERY TRAY WITH 3 SCREWS. DO NOT PINCH WIRES.

INSTALL THE 4AA ALKALINE BATTERIES. LOCK WILL HAVE A SERIES OF BEEPS AND THE FRONT WILL LIGHT GREEN.

**STEP 6**

INSTALL INSIDE COVER (BOTTOM) ON 1st. TIGHTEN BEARING RING TO HOLD IN PLACE. INSTALL BATTERY COVER- SLIDE FROM TOP- SECURE WITH SCREW.

**STEP 7**

PUT INNER LEVER ON- ENSURE LEVER IS SEATED AND IS LOCKED IN PLACE. NOTE: CHECK LOCK FOR CORRECT OPERATION BEFORE LOCKING OR CLOSING THE DOOR.

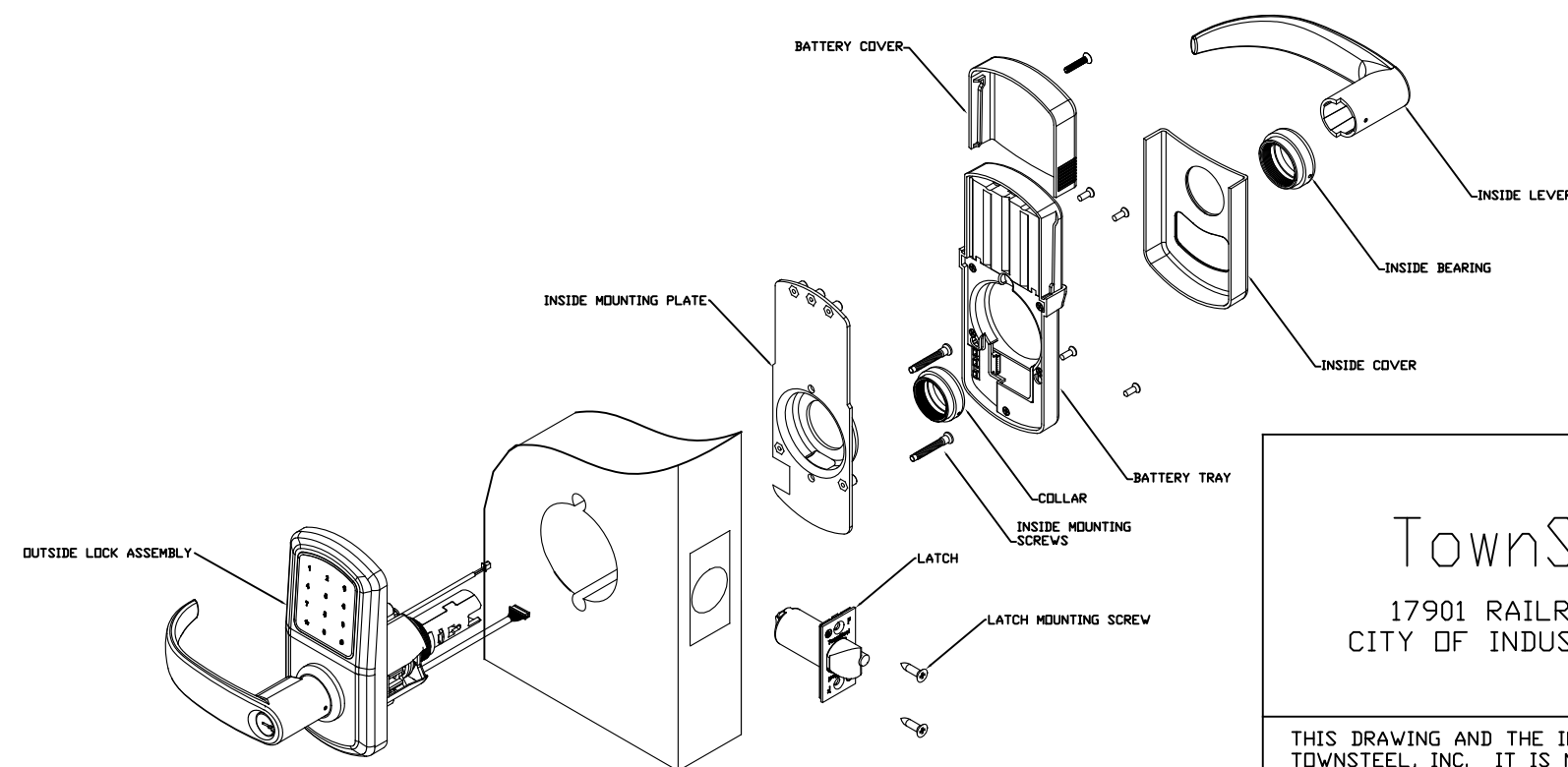
SEE PROGRAMMING MANUAL FOR OPERATION.

**REMOVING OUTSIDE LEVER**

REMOVING OUTER LEVER: ENSURE UNIT IS LOCKED, ROTATE KEY APPROXIMATELY 70°, INSERT TOOL INTO LEVER CATCH HOLE & PUSH BACK LEVER CATCH. REMOVE LEVER. FOLLOW THE SAME STEPS IN REVERSE ORDER TO PUT THE LEVER BACK ON.

**REMOVING INSIDE LEVER**

REMOVING INNER LEVER: INSERT TOOL INTO LEVER CATCH HOLE & PUSH BACK LEVER CATCH. REMOVE LEVER.



<p>TownSteel</p> <p>17901 RAILROAD STREET CITY OF INDUSTRY, CA 91748</p>	<p>DRAFT UNLESS OTHERWISE SPECIFIED: 1° MAX</p>	<p>TOLERANCES UNLESS OTHERWISE SPECIFIED:</p> <p>X.X (METRIC) = ±0.4</p> <p>X.XX (METRIC) = ±0.15</p> <p>FRACTIONS = ±.8</p> <p>ANGLES = ±1/2°</p> <p>© .12</p> <p>MACHINED SURFACES 125/</p> <p>THIRD ANGLE</p>	<p>MATERIAL: NOTED</p>
	<p>DATE: 1/22/19</p>		<p>HEAT TREAT:</p>
	<p>DRAWN BY: SC</p>	<p>TITLE: e-Elite 4000/5000 INSTALLATION INSTRUCTIONS</p>	<p>PART#: e-Elite 4000 SERIES</p>

THIS DRAWING AND THE INFORMATION CONTAINED THEREON OR DERIVED THEREFROM ARE THE CONFIDENTIAL PROPERTY OF TOWNSTEEL, INC. IT IS NOT TO BE REPRODUCED, OR DISCLOSED TO OTHERS, AND MAY BE USED ONLY FOR THE PURPOSE OF ENABLING THE PARTY TO WHOM IT HAS BEEN LOANED TO QUOTE ON OR FILL AN ORDER FOR TOWNSTEEL, INC., OR AS MAY BE OTHERWISE AUTHORIZED BY TOWNSTEEL, INC. IN WRITING.