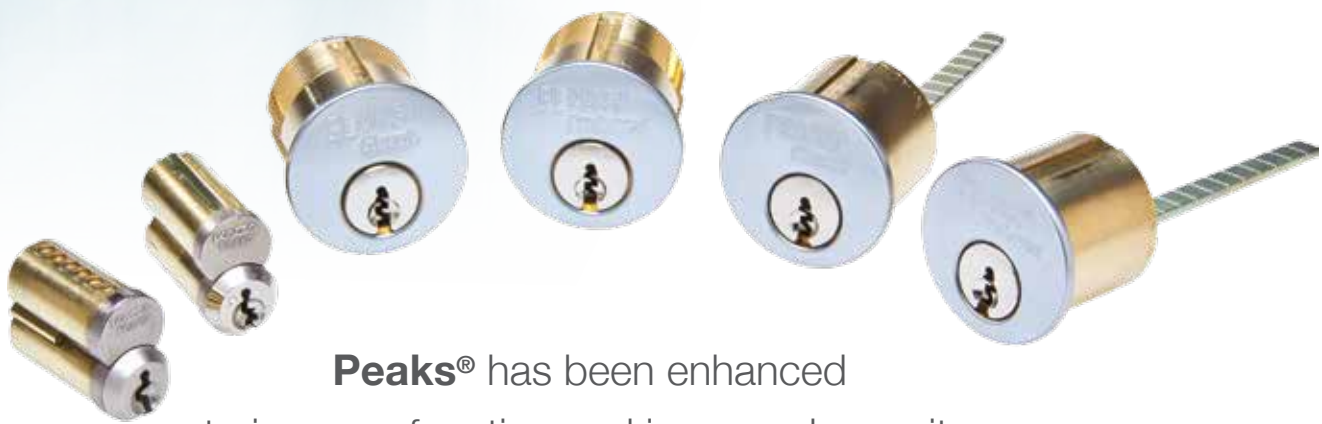


Cylinders, Storefront Door Hardware & Exit Devices





Peaks® has been enhanced to improve function and increase longevity. Many additional design and manufacturing improvements for this popular line of Key Control Cylinders are outlined at www.ilco.us.



Table of Contents

Mortise Cylinder Deadbolt

Heavy Duty Deadbolts, Parts & Accessories.....	4-5
--	-----

Cylinders

Solid Brass Cylinders, Parts & Accessories

How to Order Cylinders.....	6-7
Mortise Cylinders.....	8-11
Mortise Cylinder Collars.....	12-13
Rim Cylinders.....	14-15
Key-In-Knob, Key-In-Lever, Key-In-Deadbolt Cylinders.....	16-19
IC Cores and Housings.....	20-23

Profile Cylinders.....	24-25
-------------------------------	--------------

Die Cast Cylinders.....	26-27
--------------------------------	--------------

Storefront Deadlocks & Accessories

Deadbolts

Deadbolt Mortise Locks.....	28-31
-----------------------------	-------

Deadlatches

Deadlatch Mortise Locks.....	32-35
------------------------------	-------

Trim

Lever Handles.....	36-37
Push/Pull Paddles.....	38-39

Glass Door Rail Locks & Dust Proof Strikes	40-41
---	--------------

Pivots & Hinges

Pivots.....	42-50
Butt Hinge Strike.....	51

Lock and Door Accessories

Faceplates.....	52
Deadlatch Strikes.....	53
Threshold, Header and Flush bolts.....	54-58
Door Accessories (Lock Indicators, Door Stops).....	59-60

Exit Devices

Concealed Vertical Rod (CVR).....	61
Rim Exit Device.....	62

Warranty Terms & Conditions.....	63
---	-----------

In compliance with current regulations relating to industrial property, we hereby state that the trademarks and/or trade names within this document are the exclusive property of the authorized manufacturers. Said trade-marks or trade names are nominated only for the purposes of information. All information and illustrations in this document are for guidance only. We reserve the right to alter products designs, dimensions or information. The contents of this document are fully protected by Copyright and may not be copied or reproduced in any form, without written permission from Kaba Ilco Corp.

©Kaba Ilco Corp. 2016 All Rights Reserved



Mortise Cylinder Deadbolts

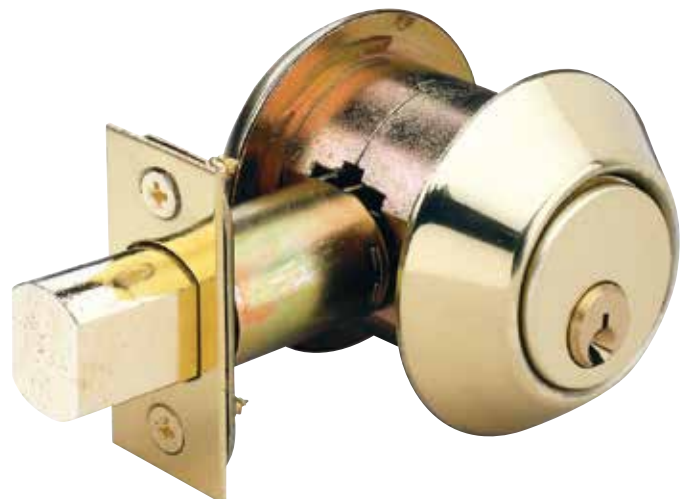
4500 Series — Heavy Duty, Professional Deadbolt

The Ilco Mortise Cylinder Deadbolt is heavy duty and made for professional installation. This lock can be installed on virtually any wood or metal door of any thickness.

- Sold with or without Cylinder
- Available Single Cylinder with ADA Turn Lever, Double Cylinder, Dummy and IC Core Housing
- Single Cylinder model has field reversible handing
- Accepts standard US thread mortise cylinder
- Operates with Lori® fan shaped or Adams Rite® Cam
- Cross bore 1 7/8"- 2 1/8" (47.3mm – 54mm)
- Standard 1" (25.4mm) edge bore
- 3 backsets; 2" (50.8mm), 2 3/8" (60.3mm), 2 3/4" (70mm)
- Drive in or screw in bolts



DOOR THICKNESS	CYLINDER LENGTH
1 3/8"-1 3/4"	15/16" (23.8mm)
1 3/4"-1 7/8"	1" (25.4mm)
1 7/8"-2 1/8"	1 1/8" (28.6mm)
2 1/8"-2 3/8"	1 1/4" (31.7mm)
2 3/8"-2 5/8"	1 3/8" (34.9mm)
2 5/8"-2 7/8"	1 1/2" (38.1mm)
2 7/8"-3 1/8"	1 5/8" (41.2mm)
3 1/8"-3 3/8"	1 3/4" (44.4mm)
3 3/8"-3 5/8"	1 7/8" (47.6mm)
3 5/8"-3 7/8"	2" (50.8mm)



Mortise Cylinder Deadbolt ACCESSORIES & PARTS

Front/Faceplate

4500-xx-5012	1" (25.4mm) for 2" (50.8mm) & 2 3/8" (60.3mm) Bolts
4510-xx-5012	1 1/8" (28.6mm) for 2 3/4" (69.8mm) Bolts Strikes
4500-xx-5011	For Wood Jam with Reinforcer
4500-xx-5013	For Steel Jam with Dust Box
4500-83-2000	Dust Box only

Housing for Bolts

4500-84-5003	For 2 3/8" (60.3mm) & 2 3/4" (69.8mm) Backsets
4900-84-5005	For 2" (50.8mm) Backsets Thumbturn Lever /Rose Assembly
4500-xx-5016	Thumbturn Lever assembly for 4500 Series
4500-82-2007	Thumbturn Tailpiece only
4500-82-2008	Long Thumbturn Tailpiece -1 1/4" (31.7mm)

Screws

4200-98-4011	Cam Screw
4500-82-4014	Housing Screw 8/32 X 1" (25.4mm)
4500-xx-4018	Thumbturn Lever Rose Assembly Screws

4500-xx-4025	Long Rose Screws for Thick Doors
4500-99-4015	Set Screw
4500-80-1017	3" (76.2mm) Screw for HD Strike
4500-xx-1036	3/4" (19.05mm) Screw for standard Strike/Front

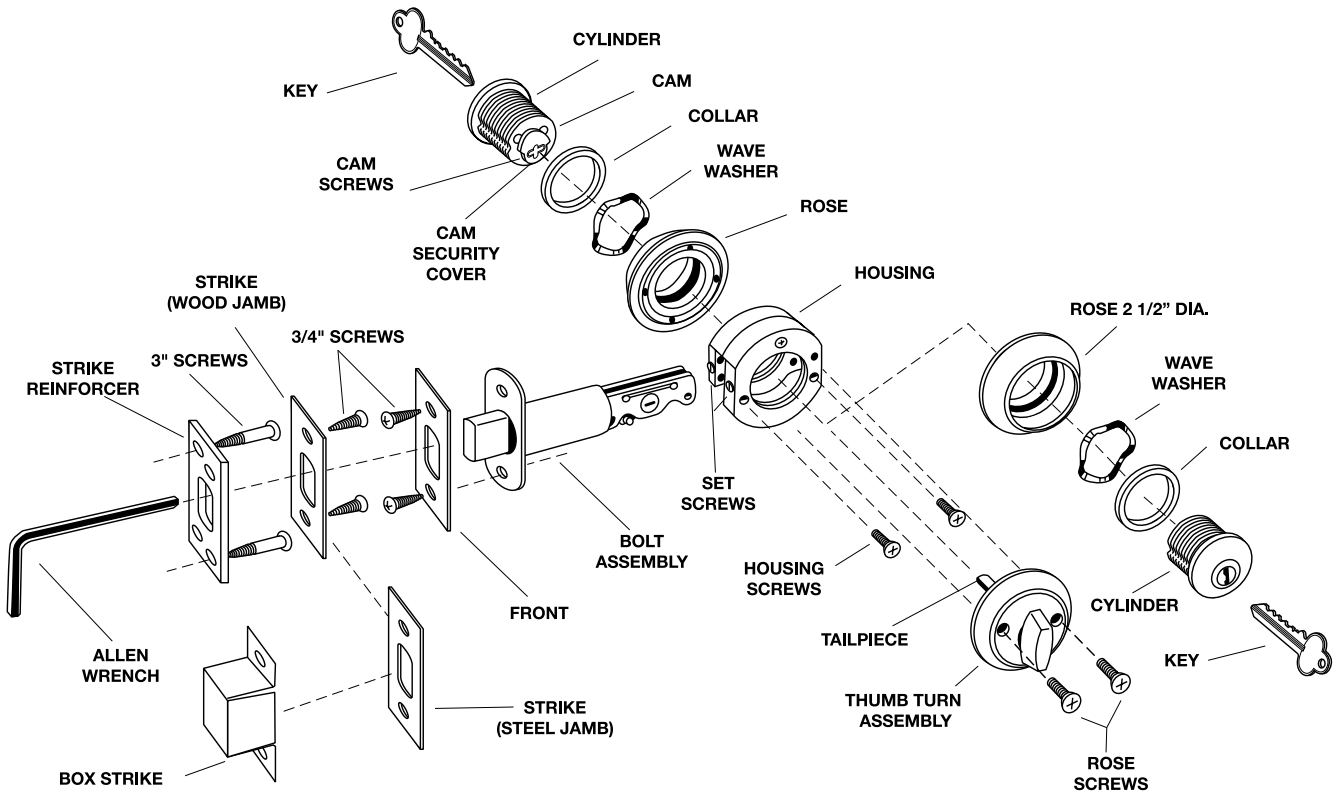
Collars & Roses

4500-xx-5017	Outside Rose
861E-xx-10	5/32" (3.97mm) Aluminum Collar
4500-81-4020	Wave Washer
4500-xx-5025	Spacer for Use With SFIC & Schlage LFIC

Miscellaneous

4500-80-4016	5/64" (1.98mm) Long Shank Allen Wrench
863R-00-10	Deadbolt Fan Cam for Mortise Cylinder
4500-80-2013	Security Cover for Cam/Keyway
4500-82-1012	Steel Strike Reinforcer, less screws
4500-xx-5050	2 1/4" (57.1mm) Thick Door Kit for 4510 with 1 1/4" (31.7mm) Cylinder

"xx" indicates insert finish.



How To Order Mortise Deadbolts

45 - 2 - 4 - 04 - 26D - 5 - 2 - 5 - AA - KA2

1	2	3	4	5	6	7	8	9	10
DESIGN	FUNCTION	BOLT / BACKSET	STRIKE	FINISH	CYLINDER OPTION	CYLINDER SIZE	NUMBER OF PINS	KEYWAY	KEYING
1 DESIGN		3 BOLT / BACKSET	4 STRIKE		6 CYLINDER	7 CYLINDER LENGTH *		9 KEYWAY	
45 Standard		Standard Bolt	03 Regular Duty (Optional/Steel) 04 Heavy Duty (Standard/Wood)		0 Complete Deadbolt Less Cylinder 2 Dummy Outside 3 ADA Turnknob Inside 4520 Series Only 4 Mortise Turnknob Cylinder Inside 4520 Series Only 5 Standard Keyed Cylinder 6 Captive Turnknob Cylinder Inside 4520 Series Only 8 I.C. Housing - 6 pin 9 I.C. Housing - 7 pin 10 LFIC Schlage HSG	1 1/8" Long 2 1" Long 4 1/8" Long 5 1/4" Long		See How to Order Cylinders Pages for Keyway Options	
	2 FUNCTION	Drive-In Bolt		5 FINISH			8 NUMBER OF PINS		10 KEYING
	1 Single Cylinder 2 Double Cylinder 8 Classroom Function	0 No Bolt 2 2" Backset, 1" Front 3 2 3/4" Backset, 1 1/8" Front 4 2 3/4" Backset, 1 1/4" Front 5 2 3/4" Backset 6 2 3/4" Backset		03P Bright Brass Permanent 04 Satin Brass 05 Antique Brass 10 Satin Bronze 10B Oil-Rubbed Bronze 26D Satin Chrome 26 Bright Chrome 32D Satin Stainless Steel			5 5 Pins 6 6 Pins		See How to Order Cylinders Pages for Keying Options

STOCK LIST	
45-1-4-04-26D-0	
45-2-4-04-26D-0	
45-1-3-04-03P-0	
45-1-4-04-26D-5-2-5-SC-KD	
45-1-6-04-26D-0	



How to Order Cylinders



BH +

7 1 6 5

AA

2 - 2 6 D

- K A 2

Example: Standard 1 inch, 5 pin mortise cylinder, Arrow keyway with Adams Rite cam, satin chrome finish, keyed alike in pairs.

Add 'BH' prefix for Bump Halt Bump Resistance Technology.

MODEL NO.

KEYWAY

CAM OR TAILPIECE

FINISH

KEYING

1 Model Numbers



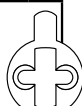
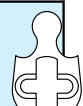

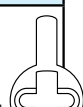
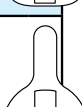
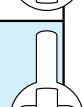




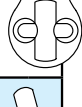

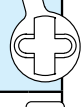

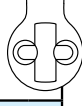
Mortise Cylinders				Turn Knob Rim Cylinders			
Model	Description			Model	Description		
7124	3/4"	(19 mm)	4 Pin	7011	Turnknob Rim Cylinder		
7155	1 1/8"	(28.6 mm)	5 Pin	Turn Knob Mortise Cylinders			
7165	1"	(25.4 mm)	5 Pin	Model	Description		
7185	1 1/8"	(28.6 mm)	5 Pin	7151	1 5/16"	(23.8 mm)	Turn Knob
7186	1 1/8"	(28.6 mm)	6 Pin	7161	1"	(25.4 mm)	Turn Knob
7205	1 1/4"	(31.7 mm)	5 Pin	7181	1 1/8"	(28.6 mm)	Turn Knob
7206	1 1/4"	(31.7 mm)	6 Pin	7201	1 1/4"	(31.7 mm)	Turn Knob
7207	1 1/4"	(31.7 mm)	7 Pin	7221	1 3/8"	(34.9 mm)	Turn Knob
7225	1 3/8"	(34.9 mm)	5 Pin	7241	1 1/2"	(38.1 mm)	Turn Knob
7226	1 3/8"	(34.9 mm)	6 Pin	7261	1 5/8"	(41.2 mm)	Turn Knob
7227	1 3/8"	(34.9 mm)	7 Pin	7281	1 3/4"	(44.4 mm)	Turn Knob
7245	1 1/2"	(38.1 mm)	5 Pin	7301	1 7/8"	(47.6 mm)	Turn Knob
7246	1 1/2"	(38.1 mm)	6 Pin	7321	2"	(50.8 mm)	Turn Knob
7247	1 1/2"	(38.1 mm)	7 Pin	ADA7151	1 5/16"	(23.8 mm)	ADA Turn Knob
7265	1 5/8"	(41.2 mm)	5 pin	ADA7161	1"	(25.4 mm)	ADA Turn Knob
7266	1 5/8"	(41.2 mm)	6 pin	ADA7181	1 1/8"	(28.6 mm)	ADA Turn Knob
7285	1 3/4"	(44.4 mm)	5 pin	ADA7201	1 1/4"	(31.7 mm)	ADA Turn Knob
7286	1 3/4"	(44.4 mm)	6 pin	ADA7221	1 3/8"	(34.9 mm)	ADA Turn Knob
7305	1 7/8"	(47.6 mm)	5 pin	ADA7241	1 1/2"	(38.1 mm)	ADA Turn Knob
7306	1 7/8"	(47.6 mm)	6 pin	ADA7261	1 5/8"	(41.2 mm)	ADA Turn Knob
7325	2"	(50.8 mm)	5 pin	ADA7281	1 3/4"	(44.4 mm)	ADA Turn Knob
7326	2"	(50.8 mm)	6 pin	ADA7301	1 7/8"	(47.6 mm)	ADA Turn Knob
Key-In-Knob Cylinders				Rim Cylinders			
Model	Description			Model	Description		
15395	5 Pin	UniversalLockset/Leverset/Padlock		7075	5 Pin Cylinder with screw cap		
15396	6 Pin	UniversalLockset/Leverset/Padlock		7076	6 Pin Cylinder with screw cap		
15495	5 Pin	Cylindrical Deadbolt		Dummy Rim Cylinders			
15496	6 Pin	Cylindrical Deadbolt		Model	Description		
15695	5 Pin	Emtek Cylindrical Deadbolts		7010	1 1/8"	(28.6 mm)	Dummy Rim Cylinder
15696	6 Pin	Emtek Cylindrical Deadbolts		Dummy Mortise Cylinders			
15795	5 Pin	Sargent 6 Line, 10 Line, T Zone		Model	Description		
15796	6 Pin	Sargent 6 Line, 10 Line, T Zone		7150	1 5/16"	(23.8 mm)	Dummy
15985	5 Pin	Combination Knob/Deadbolt		7160	1"	(25.4 mm)	Dummy
15995	5 Pin	Combination Knob/Deadbolt		7180	1 1/8"	(28.6 mm)	Dummy
15996	6 Pin	Combination Knob/Deadbolt		7200	1 1/4"	(31.7 mm)	Dummy

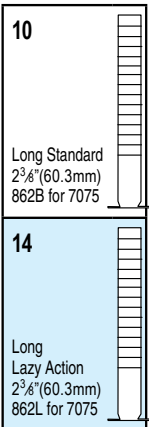
2 Keyways

Arrow	Sargent LA-LC	Schlage
AA 1179	GB LA-LC	SX C-K, 1145
Corbin 60	Sargent RA-RC	ILCO®
CA 1001EH	GC RA-RC	UA X1054K
Corbin 67	Kwikset	Lori L100
CB 1001EN	KS 1176	Eagle 11929
Corbin 77	Lockwood	Harloc 700
CC R1001EN	LA 1004	UB
Corbin	Composite	Lori 90
CD 59A1-A2	NA R1064E	6 pin only
Corbin/Russwin	Composite	UD Centric 90
CE L4	NB HR1	Lori 80
Dominion 1054F	RA 5981R	5 pin
DA S54F	N1011P	UE Lori 80
Schlage Everest	Russwin D1	Weiser E
EA C123	RB 1011D1	Falcon
Schlage Everest	Schlage C	WA 1054WB
EB C145	SC 1145	1054WC
Segal 9	Schlage E	Weiser
FA (1022)	SE 1145E	WE P1555
Sargent LA	Schlage F	Yale 8
GA 1007LA	SF 1145F	YA 999
		Yale
		YG Yale GA

Minimum Order of 10 each per item.

3 Cams & Tailpieces

1 Standard (863G)		13 22PR-E-RM (863K)	
2 Adams Rite (863A)		15 Schlage L (863M)	
3 Clover (863D)		16 Sargent/Yale (863N)	
4 Narrow (863E)		17 Segal/Emhardt (863P)	
5 Marks Cam (863F)		18 Lori Deadbolt (863R)	
6 Yale (863)		19 Clover Corbin/Ruswin Best (863S)	
7 Sargent Offset (863U)		20 Adams Rite 4070 (863T)	
11 14PR-RM (863H)		23 Falcon/Saflok (863V)	
12 22PR-A-RM (863J)			



4 Finish Codes

Code	Description	US#	BHMA
03	Bright Brass	03	605
03P	Bright Brass Permanent	03	605
04	Satin Brass	04	606
05	Antique Brass	05	609
10	Satin Bronze	10	612
10B	Oil Rubbed Bronze	10B	613
26	Bright Chrome	26	625
26D	Satin Chrome	26D	626
28	Clear Aluminum Anodized	28	628
29	Black Aluminum	19	622
32	Bright Stainless Steel	32	629
32D	Satin Stainless Steel	32D	630
46	Duracolor Brown Aluminum	46	624

All finish codes are ANSI/BHMA E (equivalent in appearance to category A) codes and do not reflect the product's base material.

Master Keys
Master keys will be sent separately from the cylinders via certified mail, return receipt requested. Name and address for this package must be supplied with the cylinder order.

5 Keying Codes

Code	Description
KA	All keyed alike
KD	Keyed different
KA2	Keyed alike in pairs
KA4	Keyed alike in fours
0B	0 bitted - Blade Height
MK ^Φ	Master keyed
GMK ^Φ	Grand master keyed

^Φ When requesting MK or GMK, an additional Keying Code is required (KA, KD, KA2, etc.)
Example: 7165AA2-26D-MK/KA2

Chart below indicates stock KA biting combinations this does not apply to any other keying code.

Factory Keyed Alike Combinations

YA .019 (OEM)	SC .015 (OEM)
13335	13531
14251	15513
14455	24642
24158	26264
34532	31315
34562	31515
41224	33563
41242	34032
41255	34562
41256	35315
41263	42642
41321	44634
42131	46246
42145	51315
43244	54645
43263	55313
44254	62646
45324	64254
43356	66464
14544	78348



Mortise Cylinders

Ilco Mortise Cylinders are machined from solid brass bar stock, engineered and manufactured to OEM specifications. Master Key and Grand Master Key quality, and are re-keyable to original manufacturers systems. The broad selection of models and components within our line provides you with the flexibility to cover numerous applications.

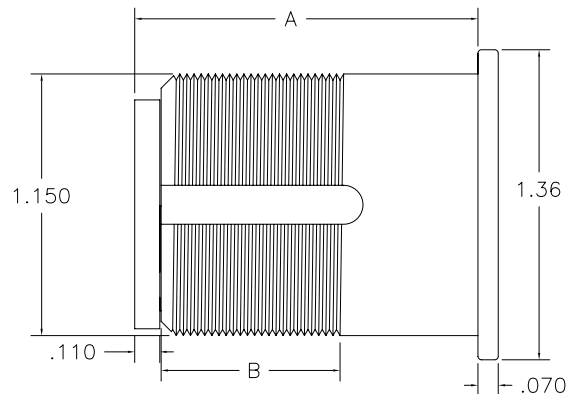
- Thread size: 1.150 x 32 UNS.
- Cylinder face: 1.360 (34.5mm) diameter

Mortise Cylinders – Keyed

- 13 finishes - 03, 03P, 04, 05, 10, 10B, 26, 26D, 28, 29, 32, 32D, 46
- 31 keyways
- 17 cams
- 11 lengths listed below
- Factory master keying/construction master keying available



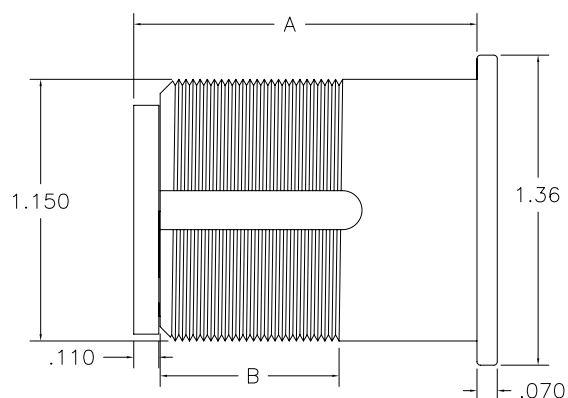
Model	Length (A)	Pinning
7124	3/4" (19mm)	4 Pin
7155	1 5/16" (23.8mm)	5 Pin
7165	1" (25.4mm)	5 Pin
7185	1 1/8" (28.6mm)	5 Pin (drilled 6)
7186	1 1/8" (28.6mm)	6 Pin
7205	1 1/4" (31.7mm)	5 Pin (drilled 7)
7206	1 1/4" (31.7mm)	6 Pin (drilled 7)
7207	1 1/4" (31.7mm)	7 Pin
7225	1 3/8" (34.9mm)	5 Pin (drilled 7)
7226	1 3/8" (34.9mm)	6 Pin (drilled 7)
7227	1 3/8" (34.9mm)	7 Pin
7245	1 1/2" (38.1mm)	5 Pin (drilled 7)
7146	1 1/2" (38.1mm)	6 Pin (drilled 7)
7247	1 1/2" (38.1mm)	7 Pin
Models available with Schlage C keyway only:		
7265	1 5/8" (41.2mm)	5 Pin (drilled 6)
7266	1 5/8" (41.2mm)	6 Pin
7285	1 3/4" (44.4mm)	5 Pin (drilled 6)
7286	1 3/4" (44.4mm)	6 Pin
7305	1 7/8" (47.6mm)	5 Pin (drilled 6)
7306	1 7/8" (47.6mm)	6 Pin
7325	2" (50.8mm)	5 Pin (drilled 6)
7326	2" (50.8mm)	6 Pin



Mortise Cylinders — Dummy

- 13 finishes - 03, 03P, 04, 05, 10, 10B, 26, 26D, 28, 29, 32, 32D, 46
- 11 lengths listed below

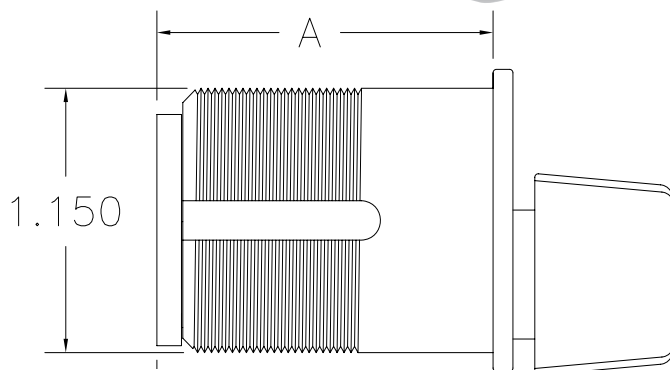
MODEL	LENGTH (A)
7120	3/4" (19mm)
7150	1 5/16" (23.8mm)
7160	1" (25.4mm)
7180	1 1/8" (28.6mm)
7200	1 1/4" (31.7mm)
7220	1 3/8" (34.9mm)
7240	1 1/2" (38.1mm)
7260	1 5/8" (41.2mm)
7280	1 3/4" (44.4mm)
7300	1 7/8" (47.6mm)
7320	2" (50.8mm)



Mortise Cylinders — Turnknob

- 12 finishes – 03, 04, 05, 10, 10B, 26, 26D, 28, 29, 32, 32D, 46
- 11 lengths listed below
- 17 cams

MODEL	LENGTH (A)
7121	3/4" (19mm)
7151	1 5/16" (23.8mm)
7161	1" (25.4mm)
7181	1 1/8" (28.6mm)
7201	1 1/4" (31.7mm)
7221	1 3/8" (34.9mm)
7241	1 1/2" (38.1mm)
7261	1 5/8" (41.2mm)
7281	1 3/4" (44.4mm)
7301	1 7/8" (47.6mm)
7321	2" (50.8mm)

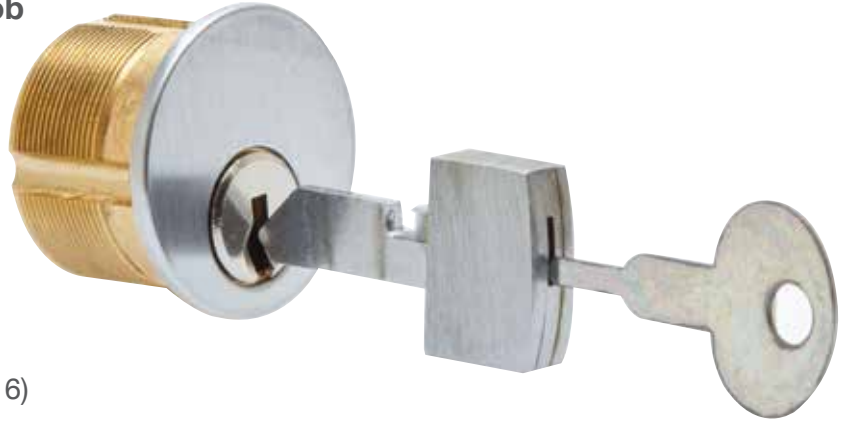


Mortise Cylinders – Captive Turnknob

One turnknob key, one conventional key per cylinder (Schlage® or Weiser® keys only)

- 2 finishes – 03, 26D
- 3 lengths listed below
- 17 cams

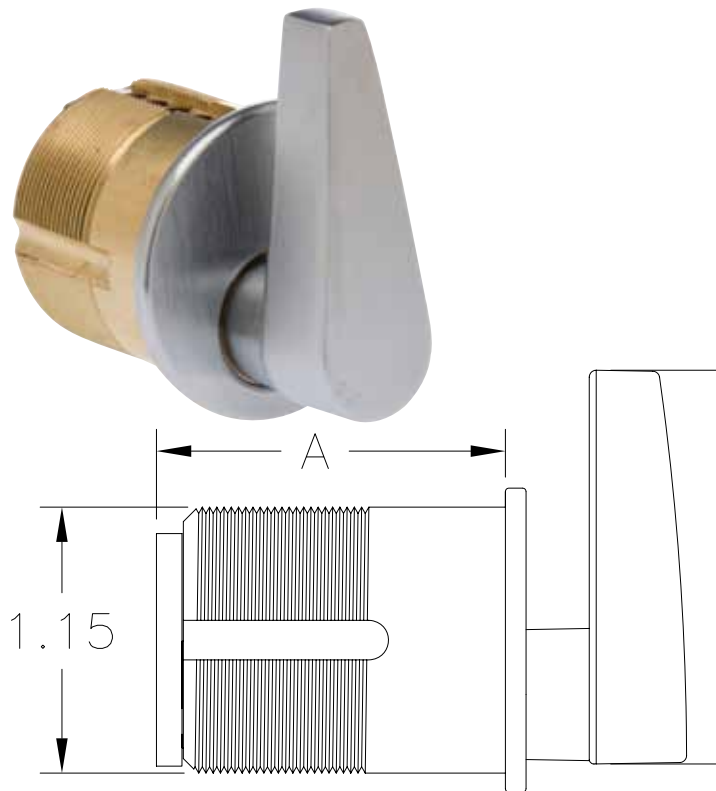
MODEL	LENGTH (A)	PINNING
41651	15/16" (23.8mm)	5 Pin
41661	1" (25.4mm)	5 Pin
41671	1 1/8" (28.6mm)	5 Pin (drilled 6)



Mortise Cylinders – ADA Turnknob

- 3 finishes – 03, 10B, 26D
- 10 lengths listed below
- 17 cams

MODEL	LENGTH (A)
ADA-7151	1 5/16" (23.8mm)
ADA-7161	1" (25.4mm)
ADA-7181	1 1/8" (28.6mm)
ADA-7201	1 1/4" (31.7mm)
ADA-7221	1 3/8" (34.9mm)
ADA-7241	1 1/2" (38.1mm)
ADA-7261	1 5/8" (41.2mm)
ADA-7281	1 3/4" (44.4mm)
ADA-7301	1 7/8" (47.6mm)
ADA-7321	2" (50.8mm)



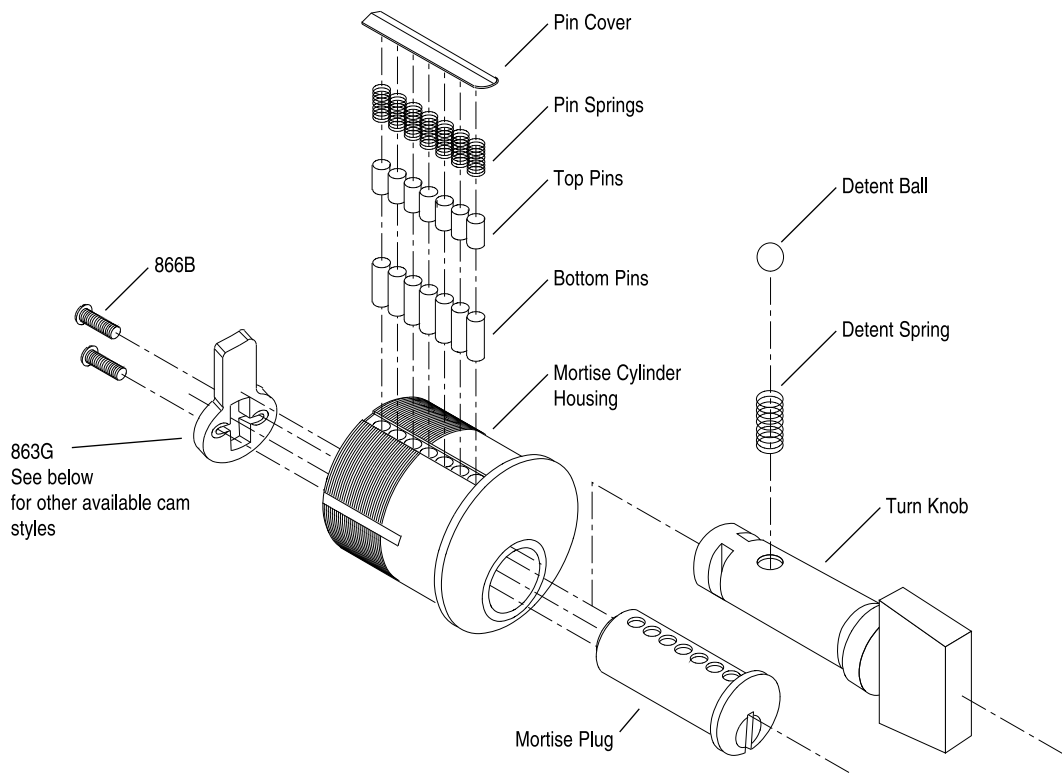
Mortise Cylinders – Classroom Turnknob

Rotation limited, field handing

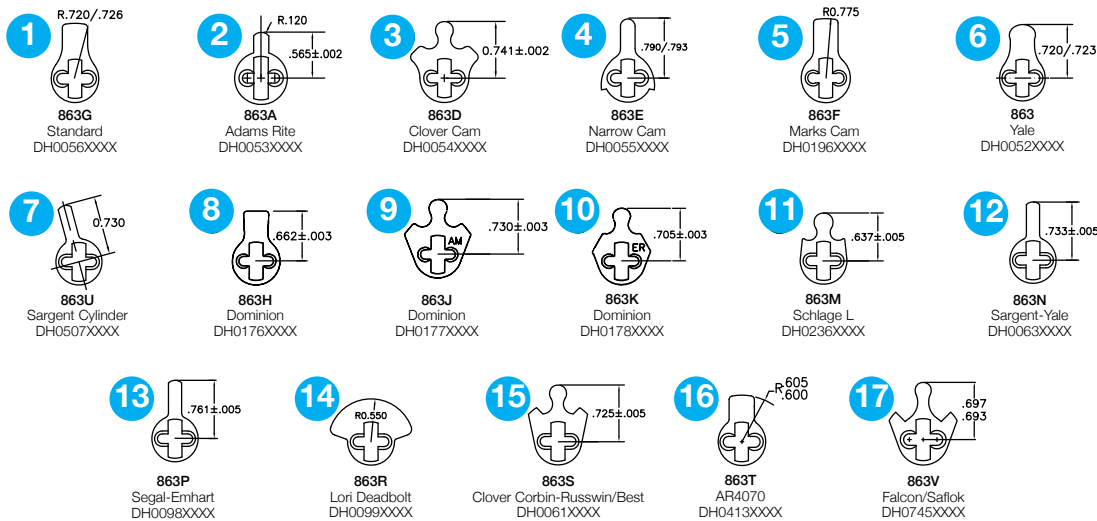
- 12 finishes – 03, 04, 05, 10, 10B, 26, 26D, 28, 29, 32, 32D, 46
- 4 lengths listed below
- 17 cams

MODEL	LENGTH (A)
4135	1 5/16" (23.8mm)
4136	1" (25.4mm)
4137	1 1/8" (28.6mm)
4138	1 1/4" (31.7mm)





Mortise Cylinder Cam Styles



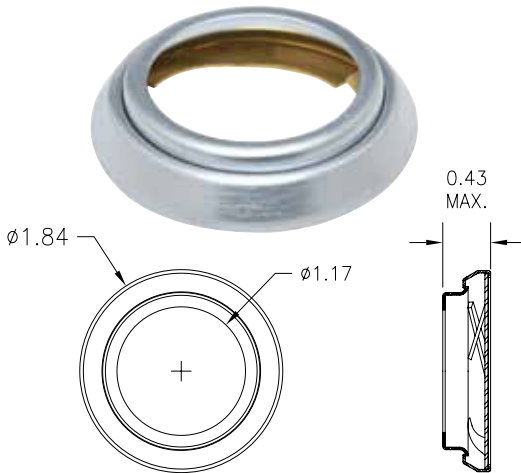
Miscellaneous ACCESSORIES & PARTS

869-00-10	Cash Box Nut, fits thread on mortise cylinder body
866B-00-100	Mortise Cam Screws, 3 x 48 self-tapping (100/bag)
704-04-11	Turn Knob Disc – standard throw, 3/16" (4.8 mm), square hub
705-04-11	Turn knob Disc – long throw, 3/16" (4.8 mm), square hub
4500-xx-5012	1" (25.4mm) for 2" (50.8mm) & 2 3/8" (60.3mm) Bolts
4510-xx-5012	1 1/8" (28.6m)
4165-03-5001	Captive TK Key Blank, Bright Brass
4165-26D-5001	Captive TK Key Blank, Satin Chrome
4165-03-5002	Captive TK Cut Key, Bright Brass
4165-26D-5002	Captive TK Cut Key, Satin Chrome
4165-82-2001	Flat Steel Release Key

Mortise Cylinder Collars

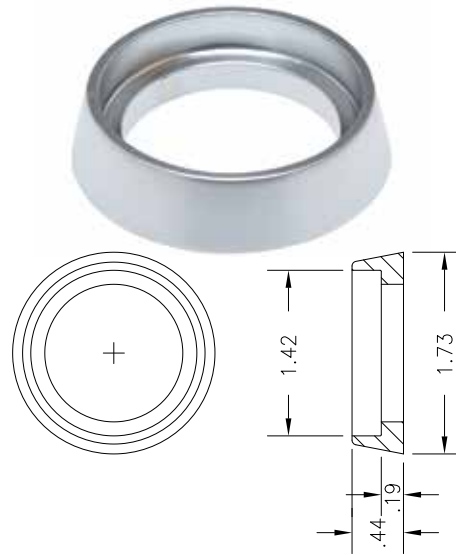
861A Adjustable Spring Collar

- Solid Brass Construction
- Adjustment: 5/16" - 1 3/32" (7.9-20.6mm)
- Finishes - 03, 26D, 46



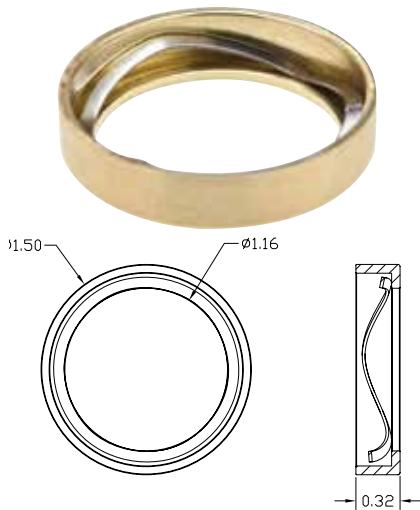
861B Tapered Collar

- Steel Construction
- Head Recess: 1/4" (6.35mm)
- Projection: 7/16" (11.11mm)
- Finishes - 03, 26D, 46



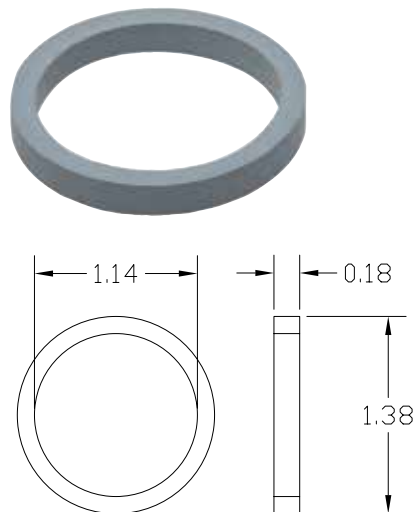
861V Adjustable Spring Collar

- Steel Construction
- Adjustment: 7/64" - 1/4" (2.8-6.35mm)
- Finishes - 03, 10B, 26D, 26, 28



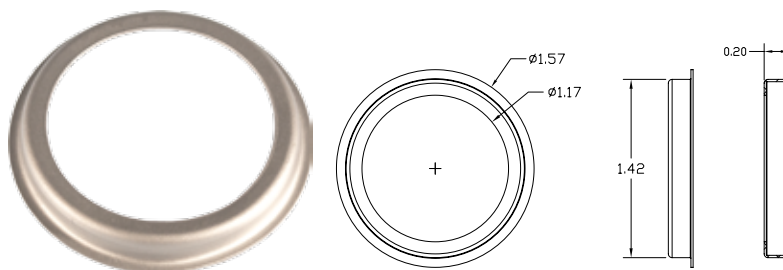
861K-00-10 Collar

- Grey Vinyl Construction
- Thickness: 3/16" (4.8 mm)



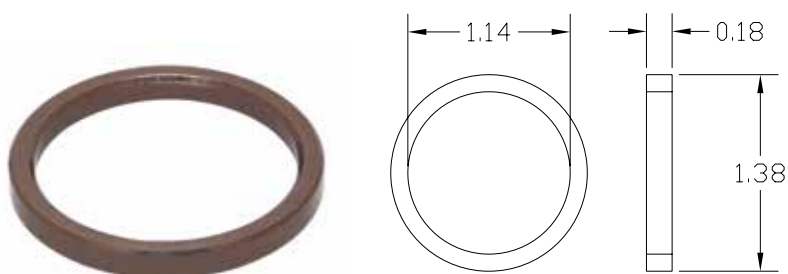
861X Stamped Collar

- Stamped Aluminum Construction
- Thickness: 13/64" (5.2mm)
- Finishes - 10B, 26D, 26, 28



861 Solid Collars

- Aluminum Construction
- Finishes - 03,04,10,10B, 26, 26D, 28, 29, 46



MODEL	THICKNESS
861C	3/32" (2.4mm)
861D	1/8" (3.2mm)
861E	5/32" (4.0mm)
861F	3/16" (4.8mm)

MODEL	THICKNESS
861K	7/32" (5.6mm)
861L	1/4" (6.4mm)
861M	9/32" (7.1mm)
861N	5/16" (7.9mm)

MODEL	THICKNESS
861P	11/32" (7.1mm)
861Q	3/8" (9.5mm)
861R	1/2" (12.7mm)
861S	5/8" (15.9mm)



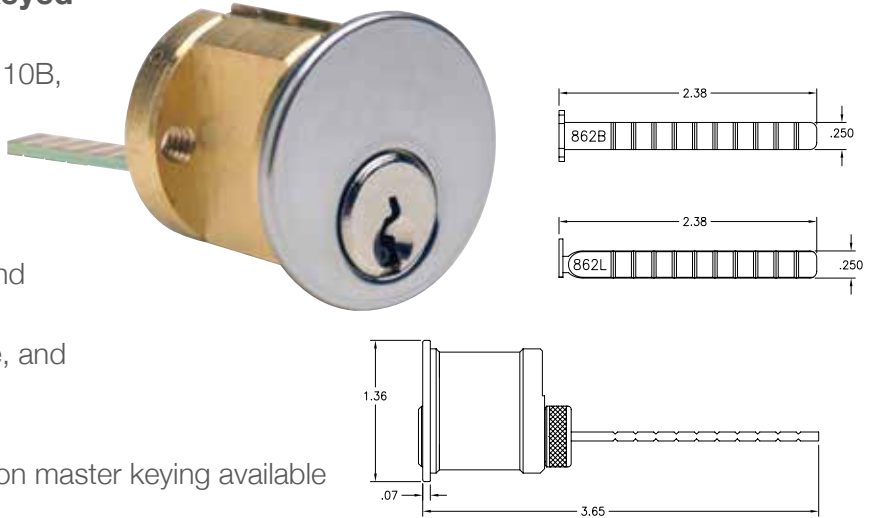
Rim Cylinders

Iico Rim Cylinders are machined from solid brass bar stock, engineered and manufactured to OEM specifications. Master Key and Grand Master Key quality, and are re-keyable to original manufacturers systems. The broad selection of models and components within our line provides you with the flexibility to cover numerous applications

Rim Cylinders are used on 1 3/8" (35mm) – 2 1/4" (57 mm) thick doors.

7075 & 7076 Rim Cylinders - Keyed

- Model 7076 is 6 pin
- 13 finishes - 03, 03P, 04, 05, 10, 10B, 26, 26D, 28, 29, 32, 32D, 46
- 31 keyways
- Screw cap design
- 1 1/8" (28.6mm) Length
- Includes rigid tailpiece installed and lazy action tailpiece in box
- Includes trim ring, mounting plate, and break off screws
- Horizontal or vertical tailpiece
- Factory master keying/construction master keying available



7010 Rim Cylinders - Dummy

- 13 finishes - 03, 03P, 04, 05, 10, 10B, 26, 26D, 28, 29, 32, 32D, 46
- 1 1/8" (28.6mm) Length
- Includes trim ring, mounting plate, and break off screws



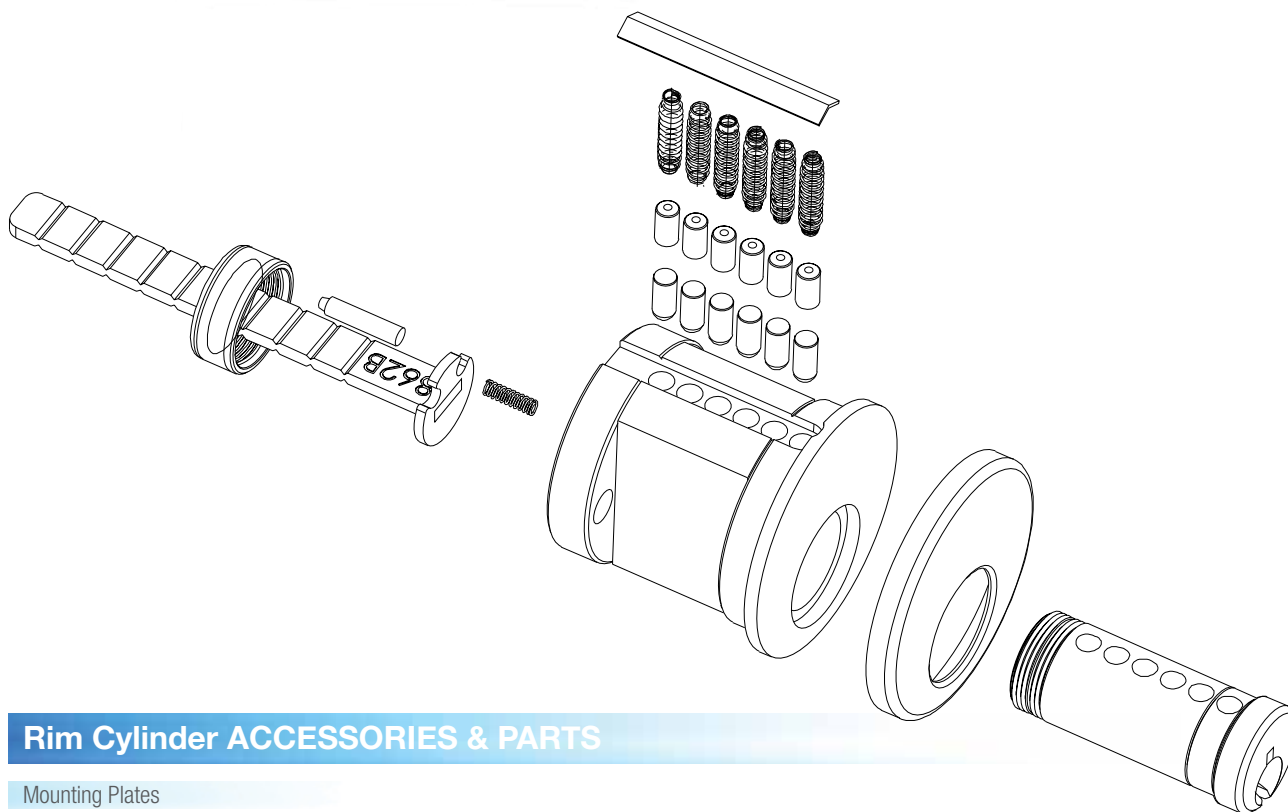
7010 Rim Cylinders - Turnknob

- 12 finishes - 03, 04, 05, 10, 10B, 26, 26D, 28, 29, 32, 32D, 46
- 1 1/8" (28.6mm) Length
- Includes trim ring, mounting plate, and break off screws
- Horizontal or vertical tailpiece



ADA 7011 Rim Cylinders - Turnknob

- American for Disabilities Act compliant
- 3 finishes - 03, 26D, 10B
- 1 1/8" (28.6mm) Length
- Includes trim ring, mounting plate, and break off screws
- Horizontal or vertical tailpiece

Rim Cylinder ACCESSORIES & PARTS

Mounting Plates

749-22-10	Universal Mounting Plate
750B-00-10	Standard Mounting Plate

Tailpieces

862B-00-10	Rigid Tailpiece, for Rim Cylinder Model 7075 & 7076, 2 3/8" (60.3mm)
862C-00-10	Rigid Tailpiece, for Rim Cylinder Model 7075 & 7076, 4" (101.6mm)
862L-00-10	Lazy Tailpiece for Rim Cylinder Model 7075 & 7076, 2 3/8" (60.3mm)
1599SW-00-10	Split washer for 862L Lazy Tailpiece

Trim Rings 861S

12 finishes	03, 04, 05, 10, 10B, 26, 26D, 28, 29, 32, 32D, 46
-------------	---

Key-In-Knob, Key-In-Lever, & Key-In-Deadbolt Cylinders

Ico KIK, KIL and KID Cylinders are machined from solid brass bar stock, engineered and manufactured to OEM specifications. Master Key and Grand Master Key quality, and are re-keyable to original manufacturers systems. The broad selection of models and components within our line provides you with the flexibility to cover numerous applications. All KIK, KIL, and KID cylinders are available factory master keyed/construction master keyed.

1599 Knob, Lever and Deadbolt Cylinder

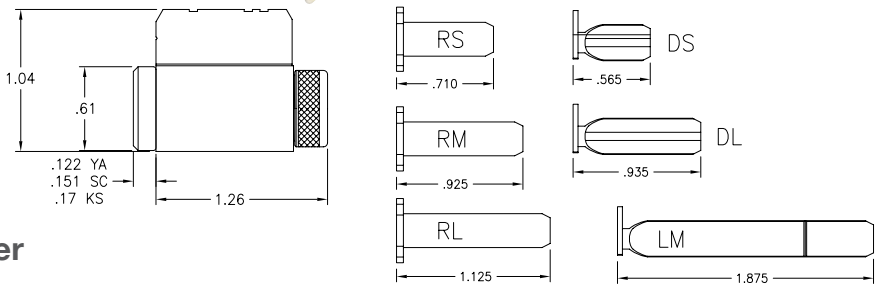
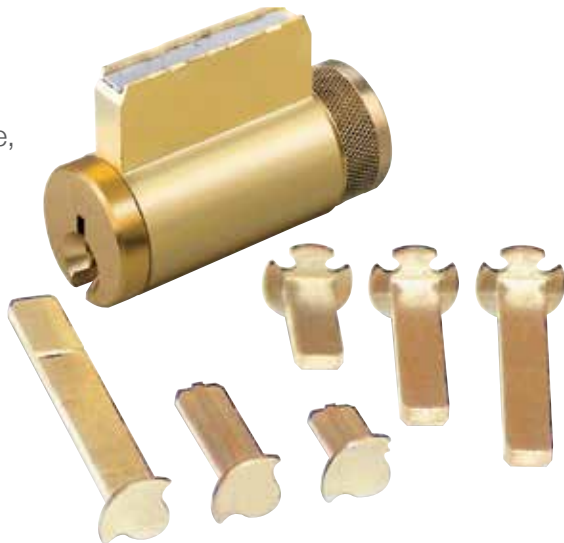
Universal Knob/Lever Locksets—Including Schlage, Plus Arrow® and Schlage® Deadbolts

- 2 finishes - 04, 26D
- 31 Keyways
- 6 Tailpieces included (3 rigid in different lengths, 1 lazy for single deadbolt, 2 lazy in different lengths for double deadbolt)

15985 — 5 pin

15995 — 5 pin, drilled 6

15996 — 6 pin



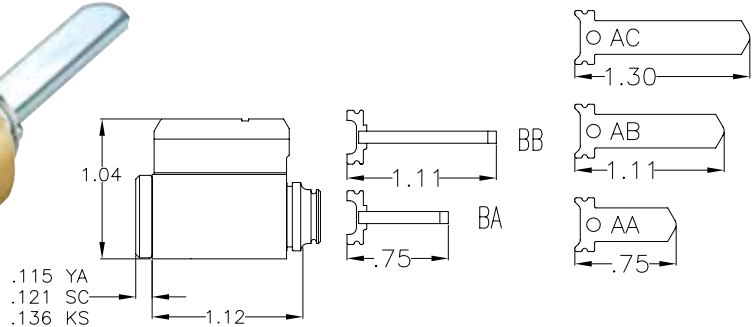
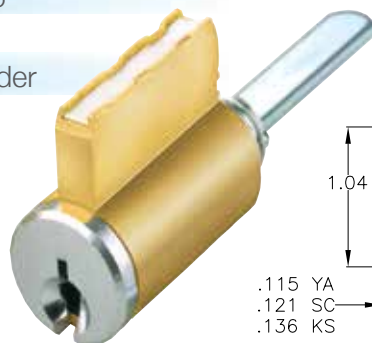
1539 Knob and Lever Cylinder

- 2 finishes - 04, 26D
- 31 Keyways
- 3 Rigid Tailpieces included, 2 additional tailpieces (BA & BB) for Sargent® Keyways

15395 — 5 pin, drilled 6

1539 — 6 pin

1539 — Dummy Cylinder



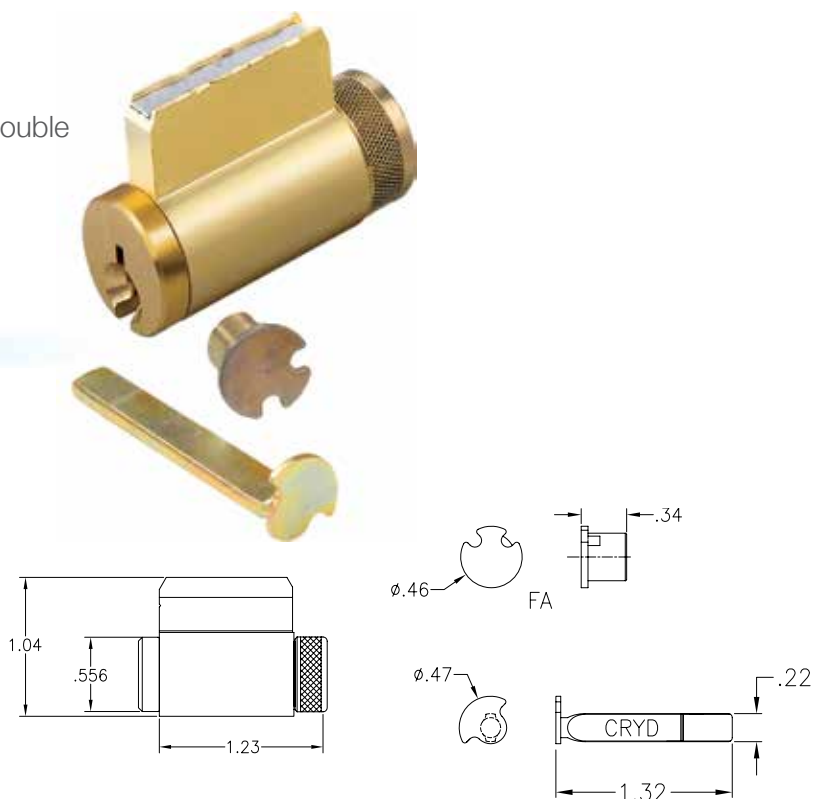
1549 Deadbolt Cylinder

For Yale® and Corbin® Single and Double Cylinder, Grade 1 & 2 Deadbolts

- 2 finishes - 04, 26D
- 31 Keyways
- Includes tailpiece & adapter

15495 — 5 pin

15496 — 5 pin, drilled 6



1569 Knob, Lever and Deadbolt Cylinder

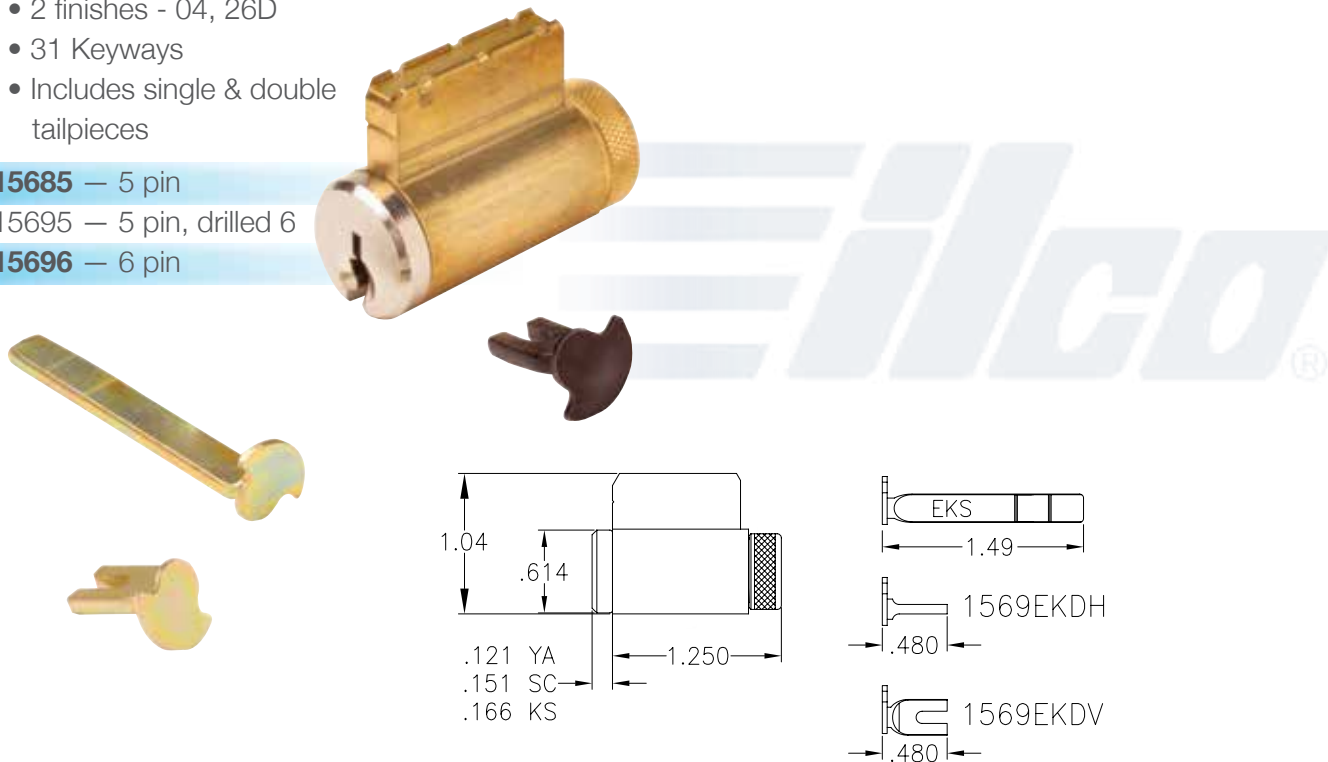
For most Emtek® Knobs, Levers and Deadbolts

- 2 finishes - 04, 26D
- 31 Keyways
- Includes single & double tailpieces

15685 — 5 pin

15695 — 5 pin, drilled 6

15696 — 6 pin



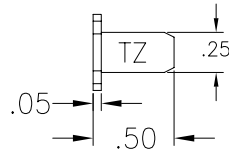
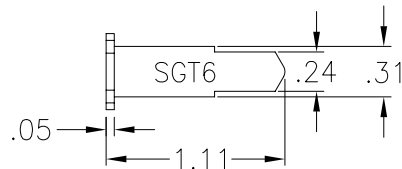
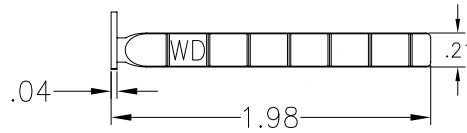
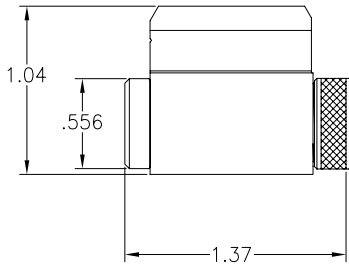
1579 Knob and Lever Cylinder

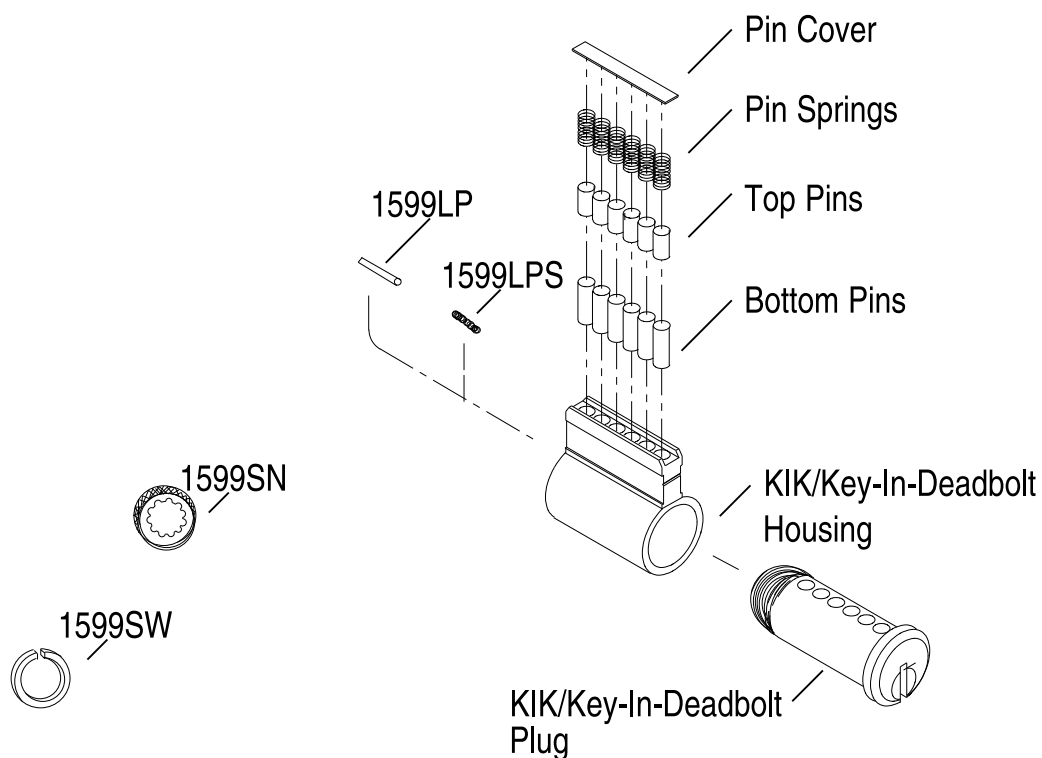
For Sargent® 6, 10 and 11 (T-Zone) lines. Also fits many Weiser® applications when using the Weiser Tailpiece (sold separately).

- 2 finishes - 04, 26D
- 31 Keyways
- Includes 3 tailpieces

15795 — 5 pin, drilled 6

15796 — 6 pin





Key-In-Knob, Key-In-Lever, & Key-In-Deadbolt Cylinder ACCESSORIES & PARTS

For all Knob, Lever and Deadbolt Cylinders

1500BH	Bump Halt Kit	1539DA-00-10	Anderson French & Sliding Door Tailpiece
		1539FA-00-10	Falcon B Series Lever Tailpiece
		1539FB-00-10	Falcon S Series Short Tailpiece
		1539FC-00-10	Falcon S Series Medium Tailpiece
		1539FD-00-10	Falcon S Series Long Tailpiece
		1539GA-00-10	Marks Knob Locks (same as 1903-L9)
		1539GB-00-10	Marks lever Locks (same as 1903-SL9)
		1539LA-00-10	PDQ Short Tailpiece
		1539LB-00-10	PDQ Medium Tailpiece
		1539LC-00-10	PDQ Long Tailpiece

For 1599:

1599DL-00-10	Double Deadbolt Long Lazy Tailpiece
1599DS-00-10	Double Deadbolt Short Lazy Tailpiece
1599LM-00-10	Single Deadbolt Long Lazy Tailpiece
1599RL-00-10	KIK/KIL Long Tailpiece
1599RM-00-10	KIK/KIL Medium Tailpiece
1599RS-00-10	KIK/KIL Short Tailpiece
1599FT-00-10	Falcon T Series Tailpiece
1599CL-00-10	CL3900 Corbin/Ruswin Tailpiece
1599LP-00-10	Screw Cap Lock Pin
1599LPS-00-10	Screw Cap Lock Pin Spring
1599SN-00-10	Screw Cap
1599SW-00-10	Split Washer for Lazy Tailpieces
1599PSW-00-10	Plastic Spacer Washer
1599TPK-00-10	Standard 6 Piece 1599 Cylinder Tailpiece Kit

For 1549:

1549CRYD	Standard Tailpiece
1549FA	Standard Female Adapter

For 1569:

1569EKDH	Double Deadbolt Horizontal Tailpiece (Black)
1569EKDV	Double Deadbolt Vertical Tailpiece (Chromate)
1569EKS	Single Deadbolt tailpiece
1569FA	Knob & Lever Female Adapter

For 1579:

1579WDTPK	For Use With Weiser Deadbolts
1579SGT6	6 Line Tailpiece
1599RS	10 Line Tailpiece
1579TZ	11 Line (T-Zone) Tailpiece

For 1539:

702LA-00-10	"O" Ring Tailpiece Retainer
702LB-00-10	Snap Ring Tailpiece Retainer
702LD-00-10	Plug "E" Ring Retainer
1539AA-00-10	Standard Short Tailpiece
1539AB-00-10	Standard Medium Tailpiece
1539AC-00-10	Standard Long Tailpiece
1539BA-00-10	Sargent Short Tailpiece
1539BB-00-10	Sargent Medium Tailpiece
1539CA-00-10	Sargent Long Tailpiece

IC Cores and Housings

IC Cores

Ilco IC Cores are machined from solid brass bar stock, engineered and manufactured to OEM specifications. Master Key and Grand Master Key quality and are re-keyable to original manufacturers systems.

Small Format IC Core

- 2 finishes - 04, 26D
- 18 Keyways
- Available uncombined (no keys) and combined (2 keys standard)
- Construction Core; 2 Changes keys, 1 Control Key



28016	6 Pin uncombined
28016W	6 Pin W Series uncombined
28017	7 Pin uncombined
28017W	7 Pin W Series uncombined
28026	6 Pin combined
28026W	6 Pin W Series combined
28027	7 Pin combined
28027W	7 Pin W Series combined
C28026-26D	Standard Construction Core, combined, Satin Chrome finish
C28026-Blue	Standard Construction Core, combined, Blue Painted
C28026-Red	Standard Construction Core, combined Red painted
C28026-Marketing-Black	Ilco Marketing Core, combined, Black painted

How To Order I.C. Core

28016 - BA - 26D - **

1
MODEL NO.

2
KEYWAY

3
FINISH

4
KEYING

2	KEYWAY	BJ	Best J
		BK	Best K
BA	Best A	BL	Best L
BB	Best B	BM	Best M
BC	Best C	BQ	Best Q
BD	Best D	TB	Best TB
BE	Best E	WA	Best WA
BF	Best F	WB	Best WB
BG	Best G	WC	Best WC
BH	Best H	WG	Best WG

3	FINISH
04	Satin Brass
26D	Satin Chrome

4	KEYING
See How to Order Cylinders Pages for Keying Options	

Large Format IC Core - Schlage® Size

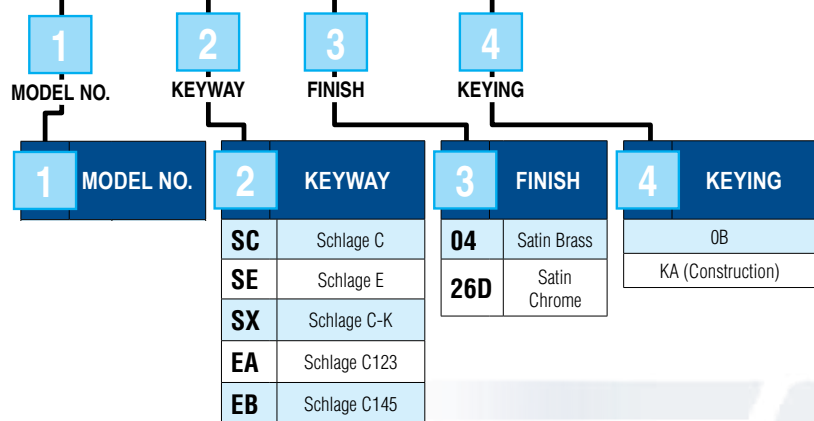
- 2 finishes - 04, 26D
- 5 Keyways
- Uncut control key included
- Cores pinned to blade height
- Construction Core model number C26026



26026	6 Pin to blade height
C26026	6 Pin KA, SC Keyway, blue scalp, 2 Change Keys, 1 Control Key

How To Order LFIC

26026 - SC - 26D - 0B



IC Housings

Ilco IC Housings are machined from solid brass bar stock, engineered and manufactured to OEM specifications.

R2800 Series - Small Format IC Core Convertible Housing

- 6 finishes - 03, 04, 10, 10B, 26D, 26
- Interchangeable cams provide flexibility
- Small and Large format mortise housings utilize the same cams
- Thin Head Mortise Style converts to Rim using the R2800 kit (sold separately)
- Available in Tapered Head Mortise Style
- Compatible with manufacturers of all small format Best® size cores



R28106	Thin Head Mortise, 1 1/4", (31.7mm), 6 Pin
R28107	Thin Head Mortise, 1 3/8", (34.9mm), 6 & 7 Pin
R28507	Thin Head Mortise, 1 1/2", (38.1mm), 6 & 7 Pin
R28607	Thin Head Mortise, 1 5/8" (41.2mm), 6 & 7 Pin
R28206	Thin Head Rim , 1 1/4", (31.7mm), 6 Pin
R28207	Thin Head Rim , 1 3/8", (34.9mm), 6 & 7 Pin
R28406	Tapered Head Mortise, 15/16", (23.8mm), 6 Pin
R28407	Tapered Head Mortise, 1", (25.4mm), 6 & 7 Pin

S2600 Series - Large Format IC Core Convertible Housing - Schlage® Size

- 4 finishes - 03, 10B, 26D, 26
- Length: 1 1/2" (38.1mm)
- Interchangeable cams provide flexibility
- Small and Large format mortise housings utilize the same cams
- Accept Schlage® size large format interchangeable cores
- Mortise style converts to Rim using the S2600 kit (sold separately).

S26506	Mortise
S26206	Rim

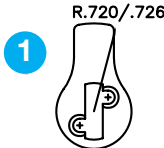
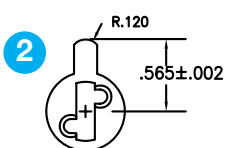
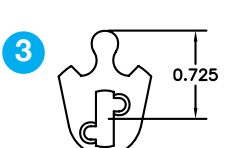
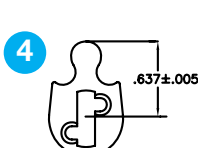
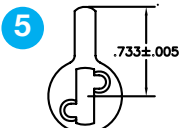
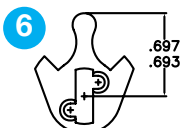
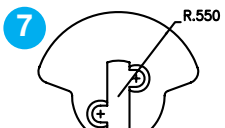


Ilco®

SFIC & LIFIC ACCESSORIES & PARTS

R2800 Rim Conversion Kit	SFIC Mortise to Rim Cylinder Conversion Kit
S2600 Rim Conversion Kit	LFIC Mortise to Rim Cylinder Conversion Kit
R2800-00-8X	Assorted Parts & Accessories Kit
R2800SP-00-10	Plastic Spacer for placing a 6 Pin Core in a 7 Pin Housing
R2800CS-00-100	Cam Screws 100/bg.
R2800G#1-00-10	Standard IC Cam
R2800A#2-00-10	Adams Rite IC Cam
R2800S#3-00-10	Clover IC Cam
R2800M#4-00-10	Schlage L IC Cam
R2800N#5-00-10	Sargent/Yale IC Cam
R2800V#6-00-10	Falcon/Saflok IC Cam
R2800R#7-00-10	Lori Mortise Deadbolt IC Cam
862A-00-10	Rim Cylinder Tailpiece 2 3/8" (60.3mm)
R2800RR-00-10	Retaining Ring, Rim Cylinder Adapter
R2800TR-00-10	Retaining Ring, Rim Tailpiece
R2800TE-00-10	Thread Extender
R2800AP-00-10	Plastic Housing Tool
S2600AP-00-10	Plastic Housing Tool

Mortise Cylinder Cam Styles

 <p>1</p>	 <p>2</p>	 <p>3</p>	 <p>4</p>
<p>R2800G#1-00-10 Standard Yale DH0579XXXX</p>	<p>R2800A#2-00-10 Adams Rite DH0580XXXX</p>	<p>R2800S#3-00-10 C-R/Best Clover DH0581XXXX</p>	<p>R2800M#4-00-10 Schlage L DH0582XXXX</p>
 <p>5</p>	 <p>6</p>	 <p>7</p>	
<p>R2800N#5-00-10 Sargent-Yale DH0583XXXX</p>	<p>R2800N#6-00-10 Falcon/Saflok DH0756XXXX</p>	<p>R2800R#7-00-10 Lori Deadbolt DH0740XXXX</p>	

How To Order I.C. Housing (Removable Cam)

R 28106 - 1 - 26D



2	CAM OR TAILPIECE	5	Sargent Yale
0	No Cam	6	Falcon / Saflok Clover
1	Standard (Yale)	7	Lori Fan Cam Lori Deadbolt
2	Adams Rite	-	
3	Cloverleaf (Corbin / Russwin / Best)	9	Rim Only
4	Schlage L	See How to Order Cylinders Page for Sample Images	

3	FINISH
03	Bright Brass
04*	Satin Brass
10*	Satin Bronze
10B	Oil-Rubbed Bronze
26D	Satin Chrome
26	Bright Chrome

* Not available for S2600 Series

Profile Cylinders

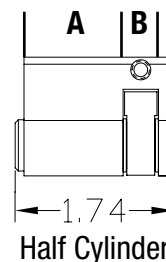
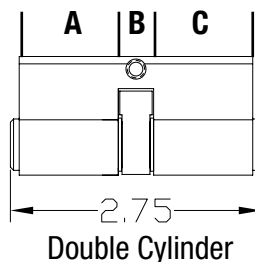
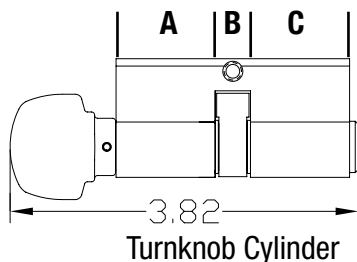
Ilco Profile Cylinders are machined from solid brass bar stock and engineered to exacting specifications. Commonly used in European Style Mortise Locks.

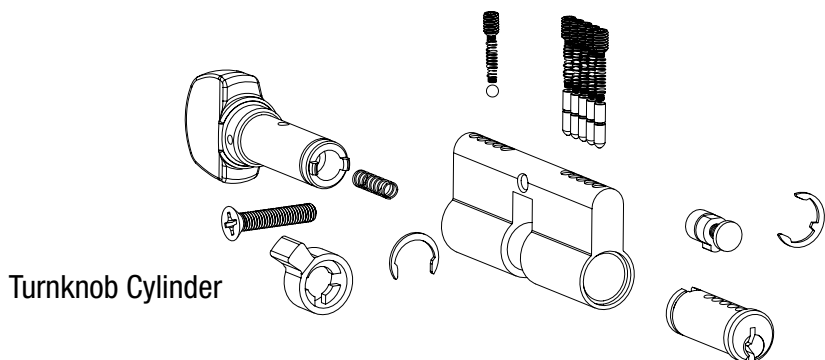
- 3 finishes - 03, 04, 26D
- Double Cylinder, Single Cylinder, Half Cylinder Keyed and Turnknob styles
- Rekeyable
- Chamber caps M4 0.70X6mm long set screws
- Custom lengths and finishes available by quote



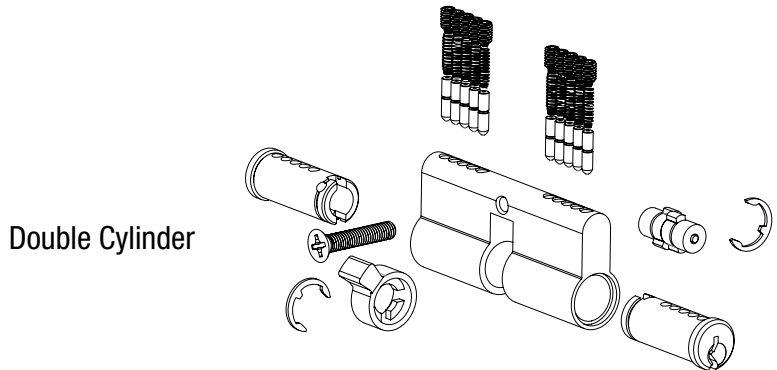
LENGTH

		A	B	C
Turnknob				
51221	Double Turnknob	28mm	10mm	28mm
5222E	Turnknob Inside, Privacy/Emergency Slot Outside	28mm	10mm	28mm
52225	Turnknob Inside, 5 pin, Keyways: SC, SE, SF, SX, CD, KS (composite), WA (Composite)	28mm	10mm	28mm
52885	Turnknob Inside, 5 pin, Keyways: SC, SE, SF, SX, CD, KS (composite), WA (Composite)	25mm	10mm	25mm
52336	Turnknob Inside, 6 pin, Keyways: SC, SE, SF, SX	30mm	10mm	30mm
523A6	Turnknob Inside, 6 pin, Keyways: GA, GC	30mm	10mm	32mm
Double (Keyed Both Sides)				
53225	Keyed Both Sides, 5 pin, Keyways: SC, SE, SF, SX, CD, KS (composite), WA (Composite)	28mm	10mm	28mm
53226	Keyed Both Sides, 6 pin, Keyways: SC, SE, SF, SX, CD, KS (composite), WA (Composite)	28mm	10mm	28mm
53885	Keyed Both Sides, 5 pin, Keyways: SC, SE, SF, SX, CD, KS (composite), WA (Composite)	25mm	10mm	25mm
Half Cylinder				
53025	Keyed Outside, 5 pin, Keyways: SC, SE, SF, SX, CD, KS (composite), WA (Composite)	28mm	10mm	---
53026	Keyed Outside, 6 pin, Keyways: SC, SE, SF, SX	28mm	10mm	---
52021	Turnknob Inside	28mm	10mm	---

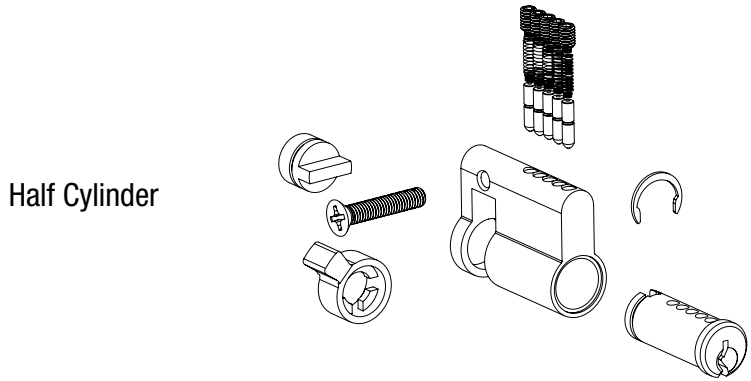




Turnknob Cylinder



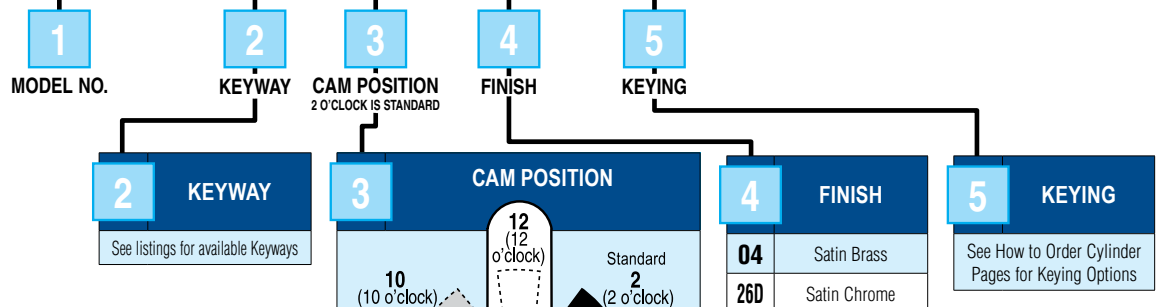
Double Cylinder



Half Cylinder

How To Order Profile Cylinders

5 2 2 2 5 - S C 6 - 2 6 D - * *



Die Cast Cylinders

Ilco branded zinc die cast cylinders are used primarily for storefront lock and exit device applications. This cylinder is designed as an inexpensive option when brass quality and longevity is not a requirement.

Mortise Zinc Die Cast Cylinders

- 1" (25.4 mm)
- Available 5 pin only
- Thread Size is 1 5/32" (29.36 mm)
- 3 finishes (Aluminum, Dark Bronze, Black)
- Stamped Trim Ring included

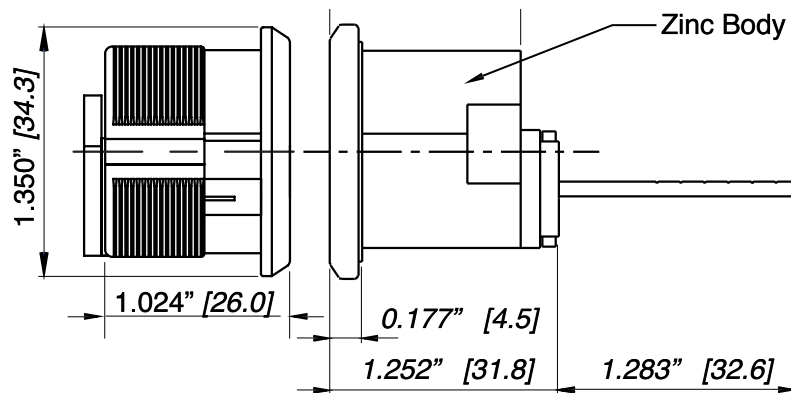
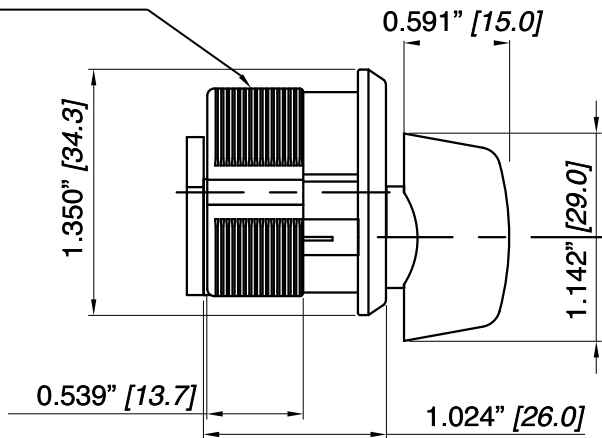
MKC Keyed Mortise, Schlage® C Keyway/AR Cam

MTC Turnknob Mortise, AR Cam

MDC Dummy Mortise



1.134" [28.8] - 32 Thread



Rim Zinc Die Cast Cylinder

- Schlage® C Keyway
- Available 5 pin only
- 3 finishes (Aluminum, Dark Bronze, Black)
- Includes rigid tailpiece
- Stamped trim ring and mounting screws included



MKC-RIM Rim Cylinder

CL- 404 Cylinder Guard

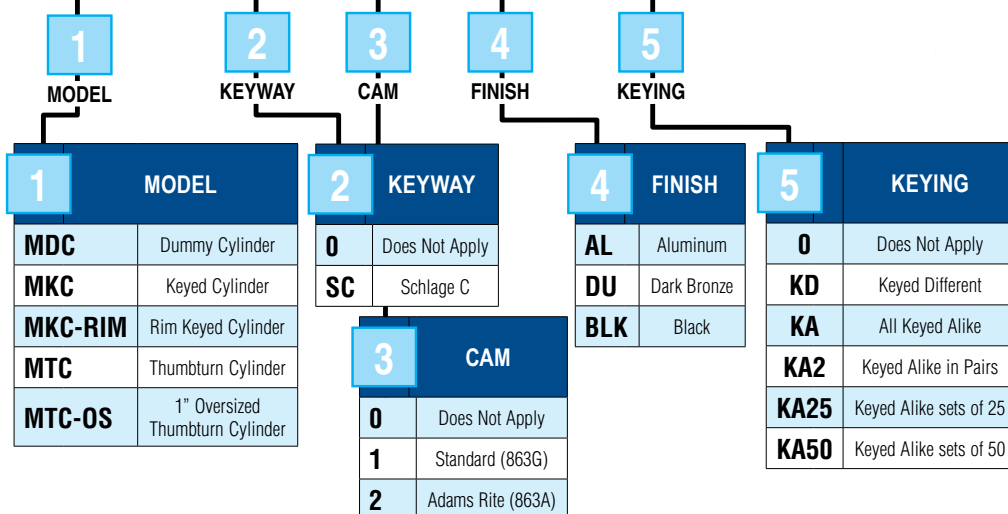
The CL-404 is designed specifically for Aluminum/Hollow Steel doors to fit standard 1/8" (3.18 mm) stile wall. CL-404 is constructed of corrosion resistant hardened steel and choice of 3 powdered coated finishes.

Includes steel security ring, 2 spacers and retainer plug.



How To Order Die Cast Cylinders

MKC - SC - 1 - AL - KA



Storefront Hardware Deadbolts

Deadbolt Mortise Lock – 185 Series

- For Aluminum Stile Doors
- Five-ply laminated steel bolt with concealed hardened steel pin provides maximum security on single leaf doors
- Cycle testing exceeds ANSI Grade 1 standards
- Steel case with corrosion resistant plating
- Accepts standard 1 5/32" (29.36 mm) Zinc or Brass threaded mortise cylinder
- Interchangeable with 451/452 Series Deadlatches

Backsets: 31/32" (24.59 mm), 1 1/8" (28.58 mm), 1 1/2" (38.1 mm)

Bolt Dimension: Straight Bolt: 5/8"W x 2 7/8"L (15.88 mm x 73.03 mm)

Hook Bolt: 5/8"W x 1 3/8"L (15.88 mm x 34.9 mm)

Throw: Straight Bolt: 1 3/8" (34.9 mm)

Hook Bolt: 13/16" (20.6 mm)

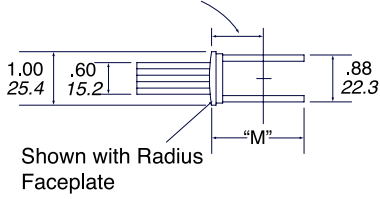


Deadbolt

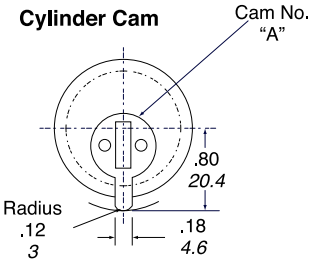
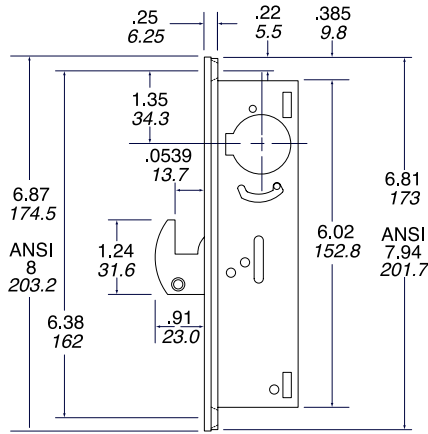
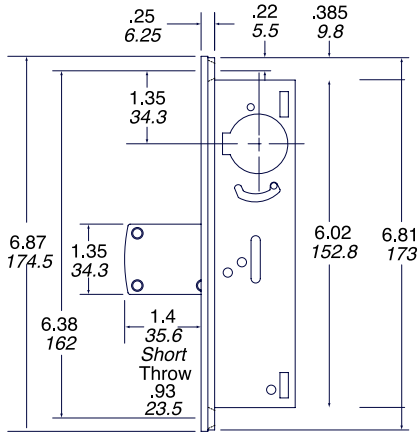


Hookbolt

Backset must be measured at center line of Stile Nose



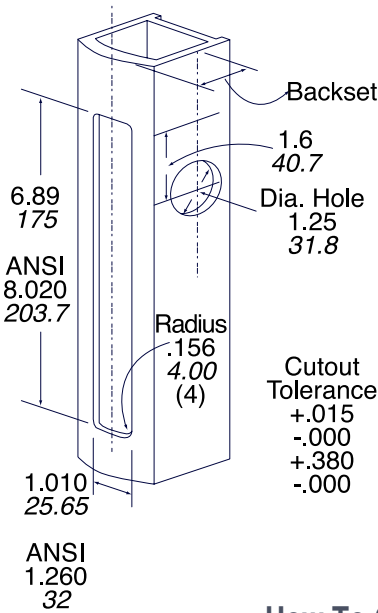
Backset	"M"
31/32"	1.63"
24.6	41.4
1-1/8"	1.79"
28.6	45.5
1-1/2"	2.14"
38.1	54.36



Cam Tolerance ± .005
Tolerance ± .13

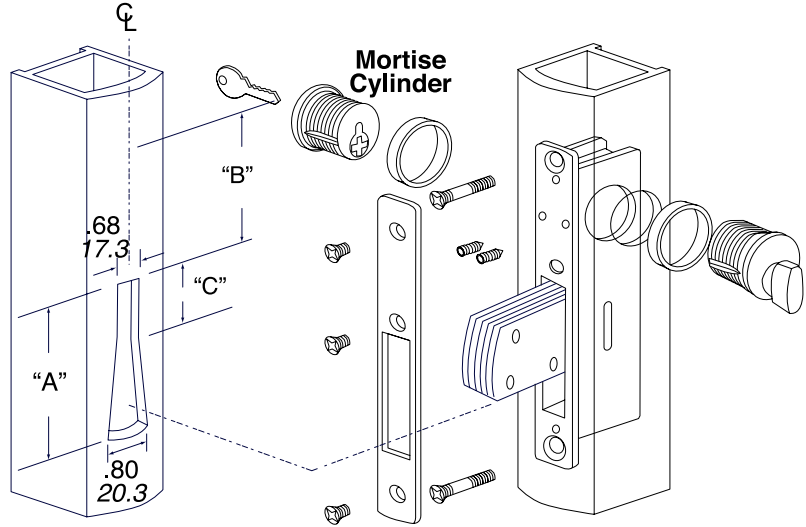
These locks are operable by any standard 1 1/2" diameter mortise cylinder with cam dimensions as shown.

Stile Preparation



Cutout Tolerance
+.015
-.000
+.380
-.000

Lock & Stile



Stile

How To Order Mortise Deadbolts & Hookbolts

185 - 2 - NH - Single

1	2	3	4
MODEL NO.	BACKSET	HANDING	PACKOUT
1 MODEL NO.	2 BACKSET	3 HANDING	4 PACKOUT
185 Deadbolt	2 31/32" (24.61mm)	NH No Hand	Single Individual Single Pack
HB185 Hookbolt	3 1" (28.58mm)		Bulk Bulk Pack
	4 1 1/2" (38.1mm)		



Two-Point Deadbolt – 187 Series

- For overhead roll-up doors, security screens, or similar doors
- Two bolts are operational from either left, right side or both sides
- 90° rotation of mini lever turn throws or retracts bolts. 360° turn of key deadlocks the mechanism, preventing operation in either the locked or the unlocked position
- Bolt is supplied with threaded links for use with 1/4" (6.4 mm) rods
- Corrosion resistant Zinc plated steel case and mechanism
- Accepts standard 1 5/32" (29.36 mm) zinc or brass threaded mortise cylinder
- Bolt arm requires inside stile clearance of 1 11/16" (42.9 mm) on one side of cylinder center and 1" (25.4 mm) on the other side

Lock Case Dimensions: 1" (25.4 mm) x 6" (152.4 mm)

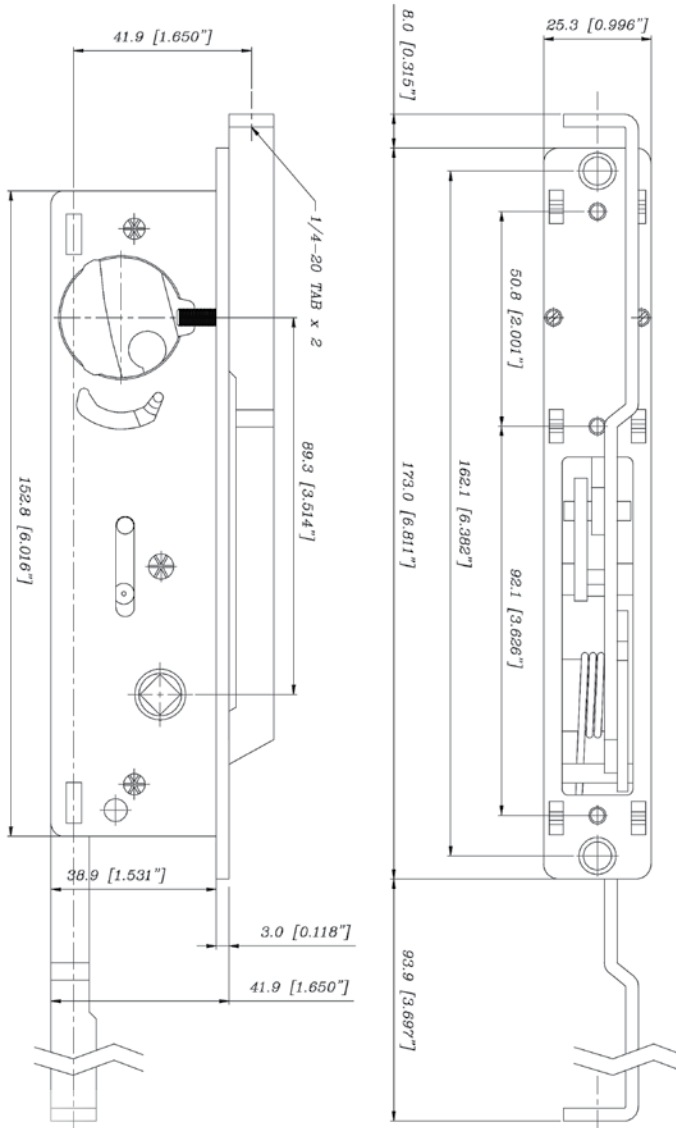
Bolt Throw: 1 1/32" (26.2 mm) bolt throw

Ordering Information:

Note: 187 Series is available in one style only

Product	Description
IL-187-1	Roll-Up Door Lock

187



Storefront Hardware Latches

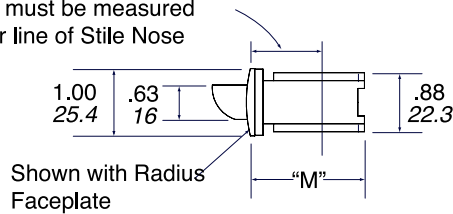
Deadlatch Mortise Lock – 451 Series

- For Aluminum Stile Doors
- Key controlled bolt holdback feature offers flexibility for traffic control on buildings that require free entrance during specific times and exit only for others
- Auxiliary latch bolt feature when in locked position provides additional security
- Zinc latch with Delrin insert for quiet operation
- Available left or right handed, field reversible handing
- Steel case with corrosion resistant plating
- Accepts standard 1 5/32" (29.36 mm) Zinc or Brass threaded mortise cylinder
- Cycle testing exceeds ANSI Grade 1 standards
- Interchangeable with 185 Series Deadbolts

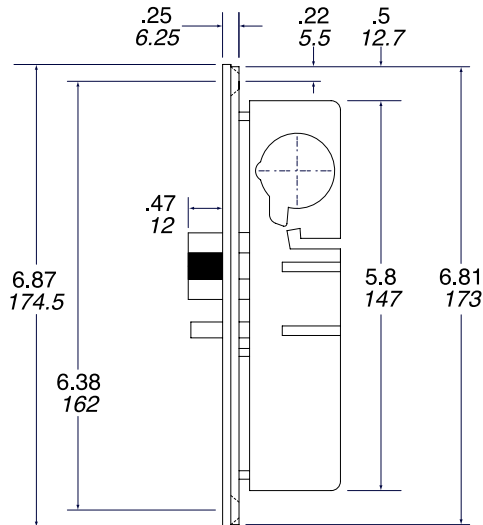
Backsets: 31/32" (24.59 mm), 1 1/8" (28.58 mm), 1 1/2" (38.1 mm)
Latchbolt Dimensions: 5/8"W x 1 1/2"L (15.88 mm x 38.1 mm)



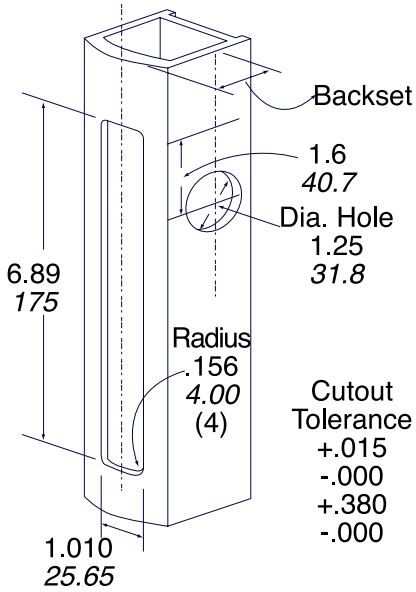
Backset must be measured at center line of Stile Nose



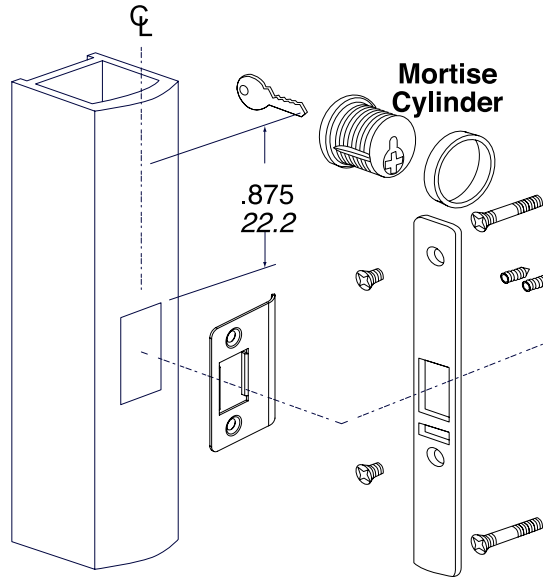
Backset	"M"
31/32"	1.63"
24.6	41.4
1-1/8"	1.79"
28.6	45.5
1-1/2"	2.14"
38.1	54.36



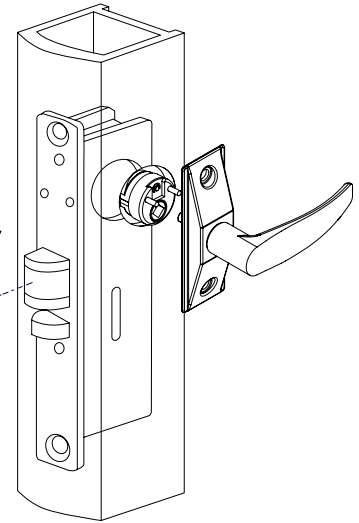
Stile Preparation



Lock & Stile



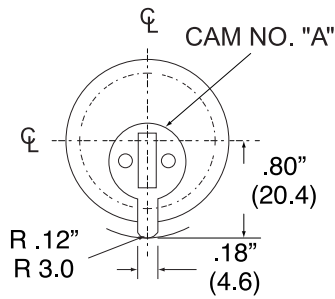
Stile



Bolt Cutout in Strike

Lock & Cylinder Installation

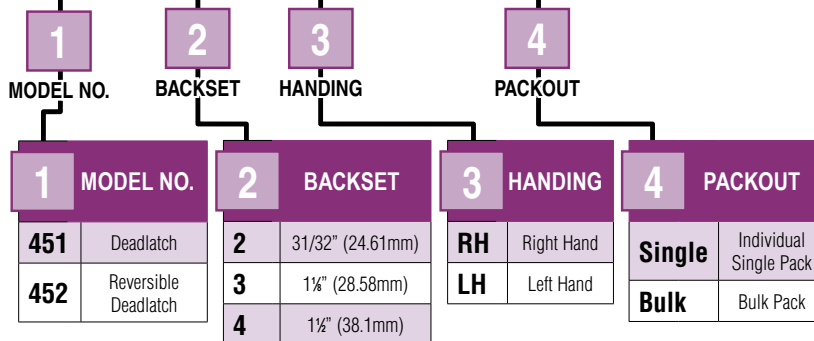
Cylinder Cam



CAM ± .005
TOLERANCE ± 0.13
These locks are operable by any standard 1⁵/₃₂" (29.37 mm) diameter mortise cylinder with cam dimensions as shown.

How To Order Mortise Deadlatches

451 - 2 - LH - Single



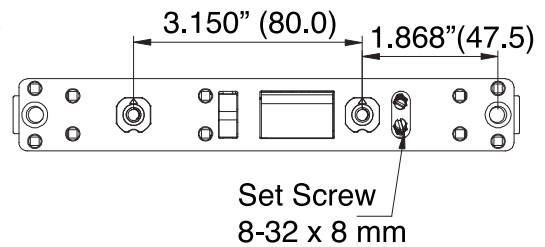
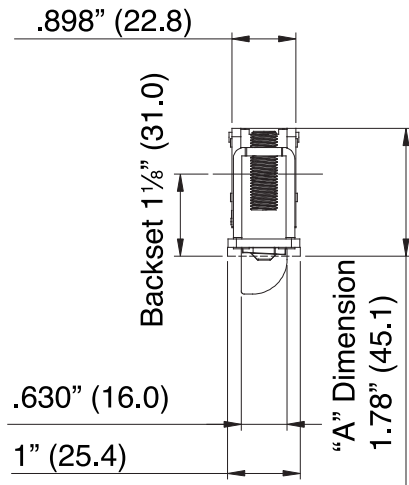
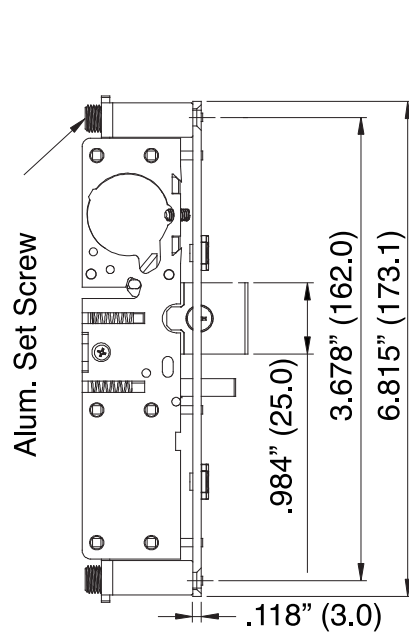
Storefront Hardware Latches

Deadlatch Mortise Lock – 452 Series

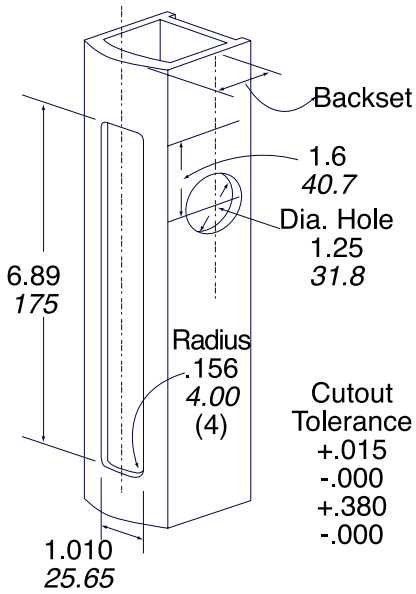
Modified 451 Series design with features that make this easier to install:

- Easily field reversible by removing one screw
- Bevel tabs provide adjustment of flat faceplates to either left or right hand bevel
- Comes with depth adjusting tube spacers to eliminate the need of mounting brackets

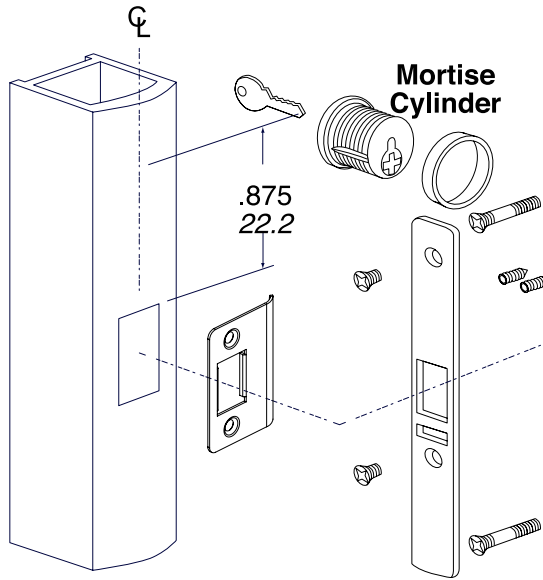
Backset: 1 1/8" (28.58 mm)
Latchbolt Dimensions: 5/8"W x 1 1/2"L (15.88 mm x 38.1 mm)



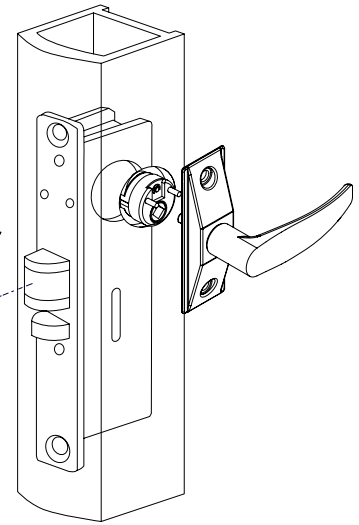
Stile Preparation



Lock & Stile



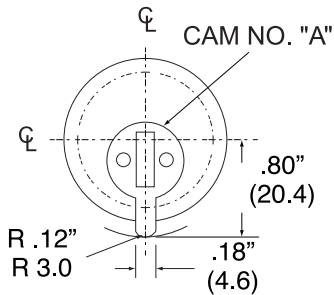
Stile



Bolt Cutout in Strike

Lock & Cylinder Installation

Cylinder Cam



CAM ± .005
TOLERANCE ± 0.13
These locks are operable by any standard 1 1/2" (29.37 mm) diameter mortise cylinder with cam dimensions as shown.

How To Order Combo Mortise Lock Packs

185 - F - 2 - NH - 2 - 01 - 628

1 MODEL NO. **2** FACEPLATE **3** BACKSET **4** HANDLING **5** STRIKE SIZE **6** STRIKE SHAPE / LIP LENGTH **7** FINISH

1	MODEL NO.	2	FACE-PLATE	3	BACKSET	4	HANDLING	5	STRIKE SIZE	6	STRIKE SHAPE / LIP LENGTH	7	FINISH
185	Deadbolt	F	Flat	2	31/32" (24.61mm)	NH	No Hand	1	1 = 4.63" (117.6mm)	01	Flat Standard Jamb	628	Aluminum
HB 185	Hookbolt	B	Bevel	3	1" (28.58mm)	RH	Right Hand	2	2 = 2.63 (66.8mm)	02	Radius/Standard Stile	313	Dark Bronze
451	Deadlatch	R	Radius	4	1 1/2" (38.1mm)	LH	Left Hand	—	Leave Blank if neither apply	17	Flat/Center hung 4.0" (101.6mm) Jamb	335	Black
452	Reversible Deadlatch	RW	Radius with weather strip							21	Flat/Center hung 4.5" (114.3mm) Jamb		
										—	Leave Blank if neither apply		

Deadlock Trim — Levers

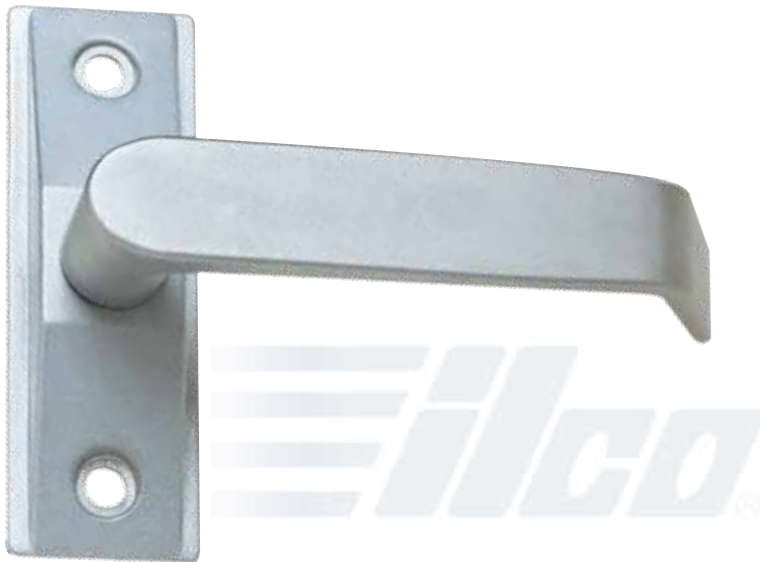
Lever Handles – 456 Series

Levers are designed to keep fingers away from the jamb and allow operation without grasping. A downward movement retracts latch.

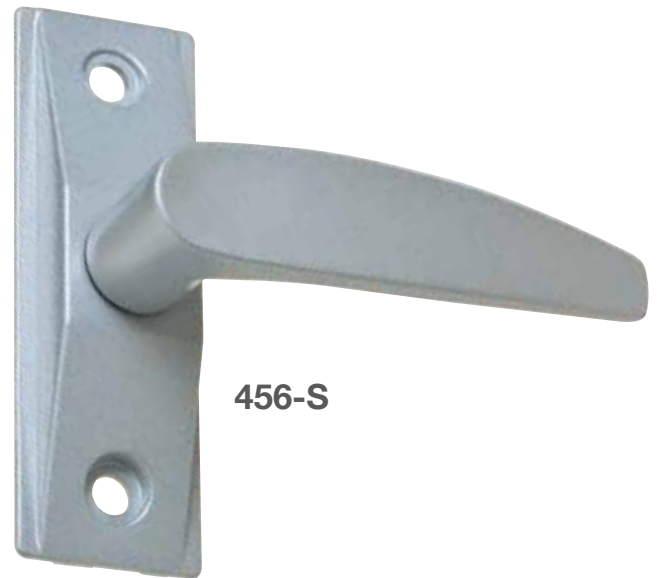
- For use with 451 and 452 Deadlatch
- Field reversible handing using the cam plug (CP456) included
- Cast aluminum construction
- Available left or right handed
- Available styles Straight (456S), Euro Return (456-RE) or with Thumbturn (456-TT)
- 3 finishes: Clear Aluminum, Dark Bronze, and Black
- Escutcheon assembly includes a ¼" (6.35 mm) heat treated spindle

Door Thickness: 1 3/4" (44.45 mm) to 3" (76.2 mm)

Escutcheon: 1 3/8" x 4" (34.93 mm x 101.6 mm)



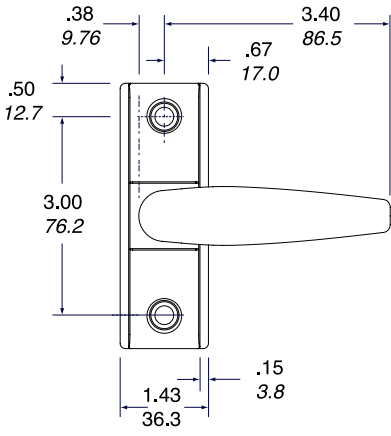
456-RE



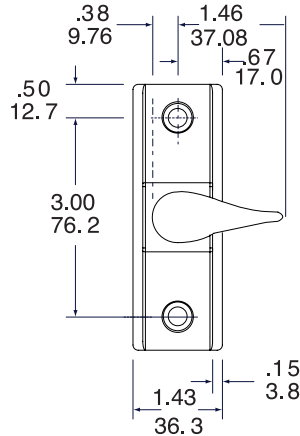
456-S



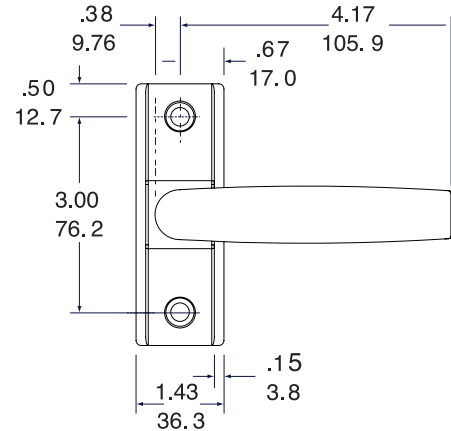
456-TT



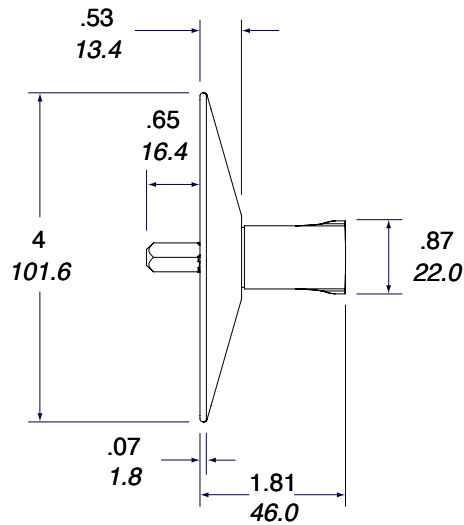
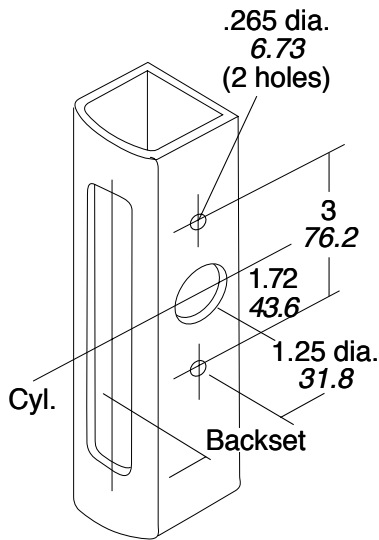
456-S



456-TT



456-RE



How To Order Lever Handles

4 5 6 S - L H - 0 1 - D U

1	2	3	4	5
MODEL NO.	STYLE	HANDING	DOOR THICKNESS	FINISH
456	S	NH	01	AL
456 Series Lever	Straight	No Hand	1 3/8" (44.45mm) to 2" (50.8mm)	Aluminum (628)
	RE	RH		DU
	Euro Return	Right Hand / Left Reverse		Duronotic Dark Bronze (313)
	TT	LH		BLK
	Thumbturn	Left Hand / Right Reverse		Black (335)

Deadlock Trim – Push/Pull Paddles

Push / Pull Paddle – 459 and 457 Series

Paddles provide an alternate to knob or lever handles. Push or pull in the direction of the door swing to unlatch.

The 459 Series provides the standard paddle function.

457 Series is ergonomic and ADA friendly; providing additional clearance between the handle and door escutcheon. The dogging screw is located on the top of the paddle. The dogging feature is activated by turning the hex key (included) in the escutcheon; holding the paddle down and leaving the door free-swinging.

- Corrosion resistant extruded aluminum construction
- Escutcheon is zinc alloy with black hard coat finish
- Double spring escutcheon construction for durability
- Self-adhesive Push or Pull decals included
- Binder post insures secure attachment of the Push/Pull handle to the door
- Available in four operation modes (Pull Left, Pull Right, Push Left, Push Right)
- Field reversible handing using Push/Pull feature and cam plug (CP456) included
- Cycle testing exceeds ANSI Grade 1 standards

Door Thickness: 1 3/4" (44.45 mm)
Escutcheon: 1 3/8" x 4" (34 mm x 101.6 mm)

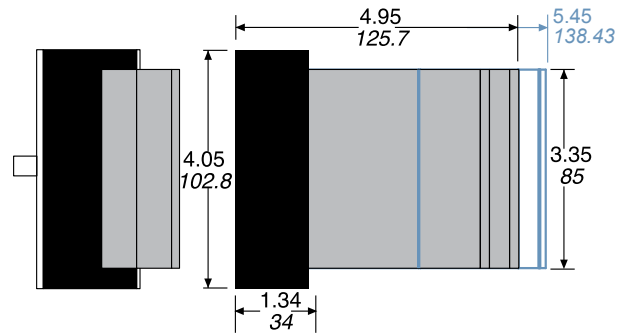
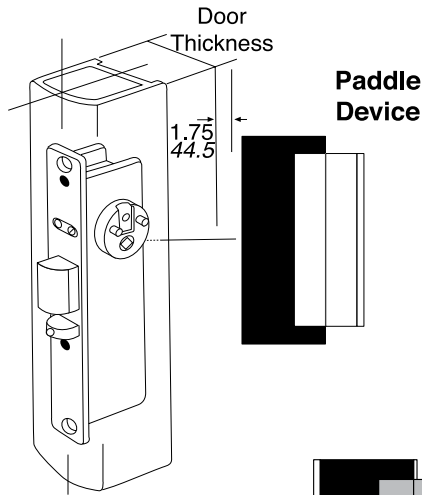
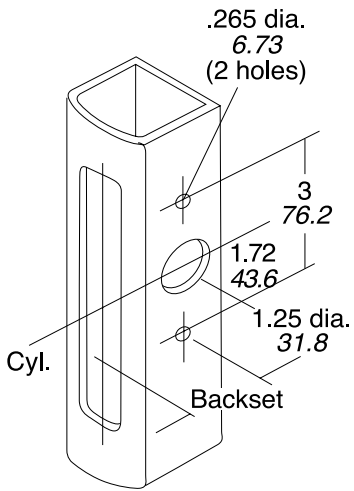


457



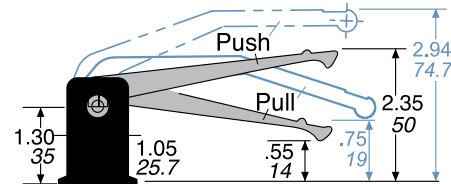
459

Stile Preparation



459 / 457

Paddle Device



Shown at rest.
Paddle travel is 1.58 inches (40 mm)

How To Order Push / Pull Paddles

459 - 01 - 00 - 628

1	2	3	4
MODEL NO.	OPERATION	DOOR THICKNESS	FINISH
1	2	3	4
459	01	00	628
457	02		
	03		
	04		

1	2	3	4
MODEL NO.	OPERATION	DOOR THICKNESS	FINISH
459	01	00	628
457	02		313
	03		335
	04		

Replacement Parts for Levers & Push / Pull Paddles

Product	Description	Paddle Door Thickness	Lever Door Thickness
CP456-RH	Right Hand Cam Plug	1 3/4" (44.45 mm)	2" (50.8 mm)
CP456-LH	Left Hand Cam Plug	1 3/4" (44.45 mm)	2" (50.8 mm)
CP456-RH-1	Right Hand Cam Plug	1 13/16" - 2" (46mm - 50.8mm)	2 1/4" - 2 1/2" (57.15mm-63.5mm)
CP456-LH-1	Left Hand Cam Plug	1 13/16" - 2" (46mm - 50.8mm)	2 1/4" - 2 1/2" (57.15 mm -63.5mm)
CP456-RH-2	Right Hand Cam Plug	2 1/4" - 2 1/2" (57.15mm - 63.5mm)	2 3/4" - 3" (69.85mm-76.2mm)
CP456-LH-2	Left Hand Cam Plug	2 1/4" - 2 1/2" (57.15mm - 63.5mm)	2 3/4" - 3" (69.85mm- 76.2mm)
9160	Paddle Spring Kit		

Glass Door Rail Lock & Dust Proof Strikes

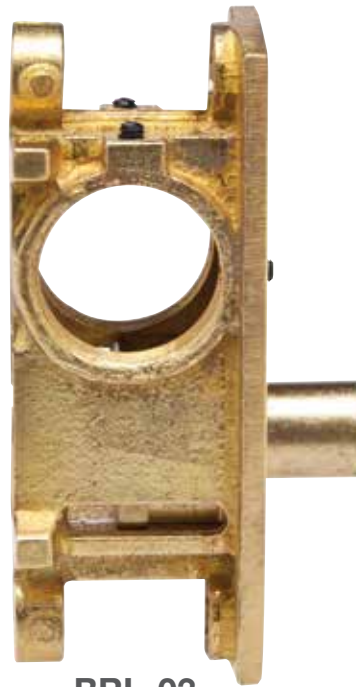
Glass Door Bottom Rail Lock - BR Series

This lock is installed in the bottom rail or in patch fitting of an "all glass" door. Bolt is retracted by a 1 5/32" (29.35 mm) mortise cylinder with standard cam.

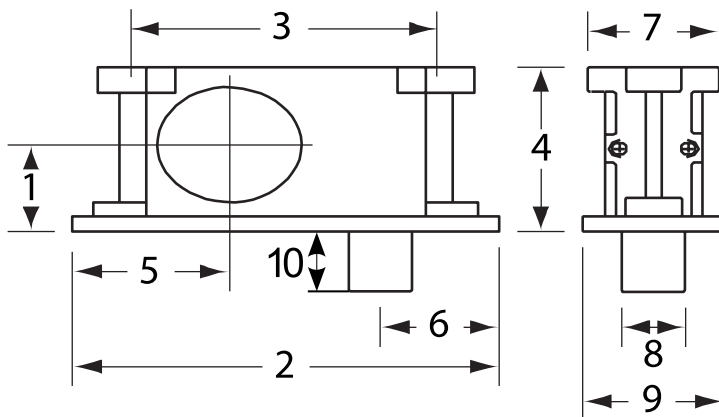
MODEL NUMBER	1	2	3	4	5	6	7	8	9	10
BRL-03	.84252" (21.4mm)	4.154" (105.5mm)	3.543" (90mm)	1.44" (39.6mm)	1.437" (36.6mm)	1.5" (38mm)	1.345" (34.4mm)	.618" (15.7mm)	1.3031" (33.1mm)	.71" (18.03mm)
BRL-01	.96457" (24.4mm)	4.154" (105.5mm)	3.543" (90mm)	1.8898" (48mm)	1.437" (36.6mm)	1.5" (38mm)	1.345" (34.4mm)	.618" (15.7mm)	1.3031" (33.1mm)	.71" (18.03mm)



BRL-01



BRL-03

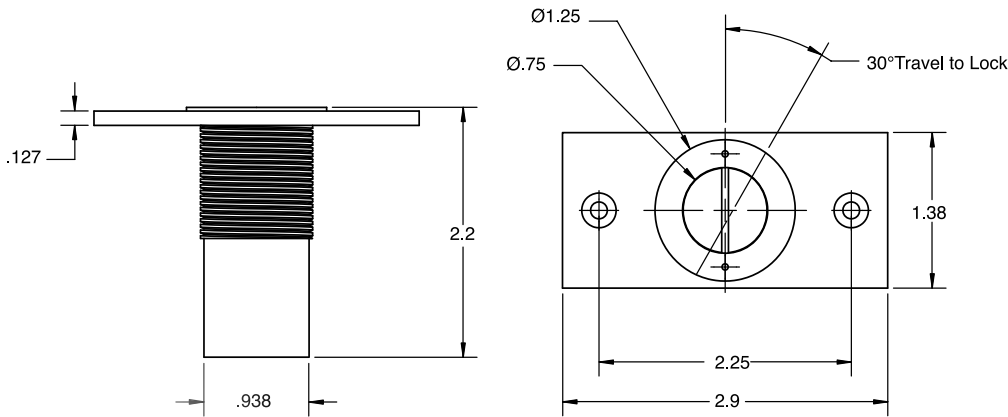


Dust Proof Strikes (Lockable) – DPS Series

DPS Series strikes work with the BRL-01 and BRL-03 Glass Door Bottom Rail Lock.

- Accepts 5/8" (16 mm) diameter plunger bolt
- Includes mounting plate, two flat head screws, and strike
- Available in six finishes

DPS-313	313 Dark Bronze
DPS-26D	26D Satin Chrome
DPS-BLK	335 Black
DPS-32	32 Bright Stainless Steel
DPS-US32D	32D Satin Stainless Steel
DPS-628	628 Aluminum



Pivots

Offset Pivots – For Aluminum Doors and Frames

- Die cast aluminum construction
- Full race ball bearing incorporated into bottom pivot portion
- Weight of door rests on floor mounted pivot portion; no sag
- Easily replaceable from inside door
- Theft resistant, weatherproof
- 1/8" (3.18 mm) vertical adjustment
- Available in two finishes; special order finishes available upon request
- Sets include fasteners
- Also available in dark bronze



IL-OP-10 Series – Vista Wall® & Old Castle® Style Doors

Flush Door Pivot and 1/8" (3.18 mm) Recessed Pivot Sets

Flush Pivot Sets

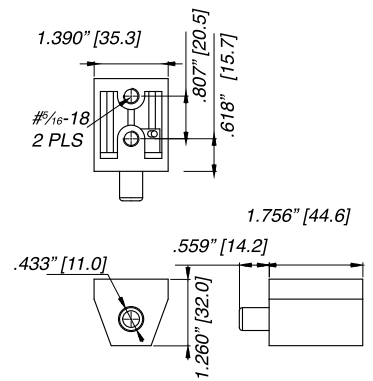
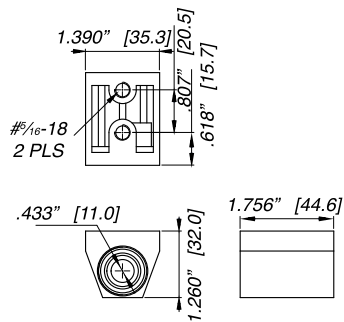
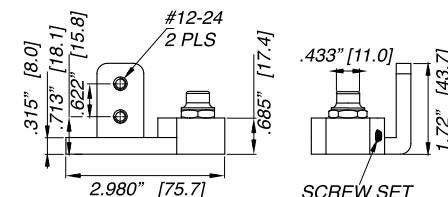
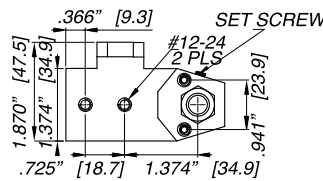
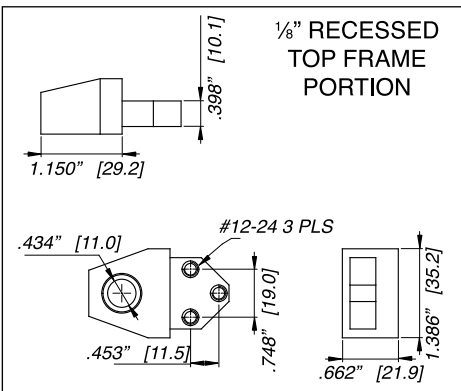
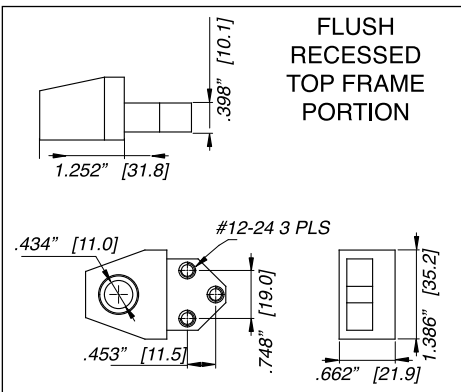
IL-OP-10-LH-AL SETS	LH, Clear
IL-OP-10-LH-DU SETS	LH, Dark Bronze
IL-OP-10-RH-AL SETS	RH, Clear
IL-OP-10-RH-DU SETS	RH, Dark Bronze

Recessed Pivots Sets

IL-OP-10-LH-AL-18 SETS	LH, Clear
IL-OP-10-LH-DU-18 SETS	LH, Dark Bronze
IL-OP-10-RH-AL-18 SETS	RH, Clear
IL-OP-10-RH-DU-18 SETS	RH, Dark Bronze

Screw Pack

IL-OP-10 SCREW PACK-AL	Clear
IL-OP-10 SCREW PACK-DU	Dark Bronze



IL-OP-12 Series – Armalite® and Trulite® Style Doors

Recessed Pivot Sets 1/8" (3.18 mm)

Recessed Pivots Sets

IL-OP-12-RH-AL SETS RH, Clear

IL-OP-12-LH-AL SETS LH, Clear

IL-OP-12-RH-DU SETS RH, Dark Bronze

IL-OP-12-LH-DU SETS LH, Dark Bronze

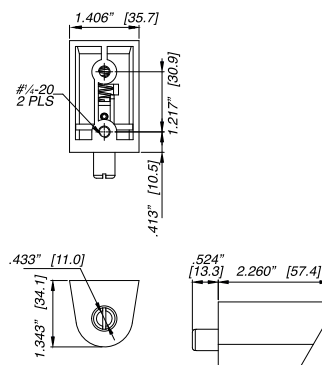
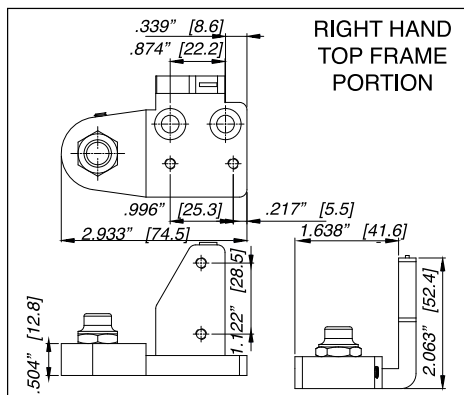
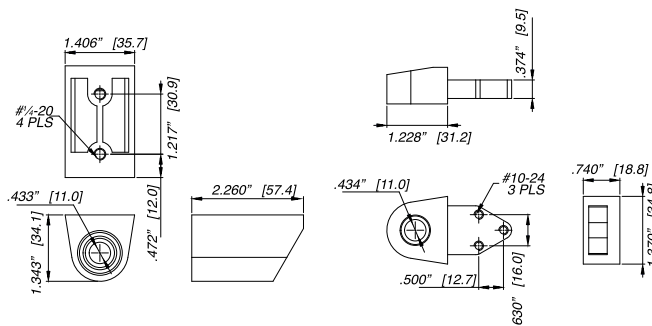
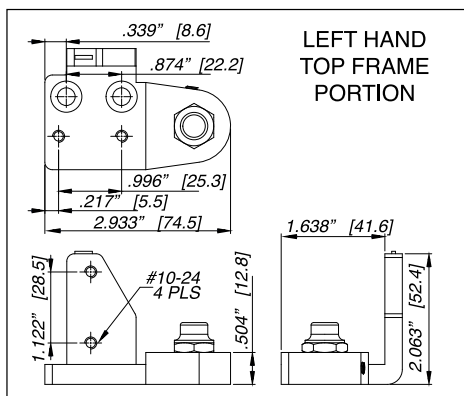
Screw Pack

IL-OP-12 SCREW PACK-AL Clear

IL-OP-12 SCREW PACK-DU Dark Bronze



Available in dark bronze



IL-OP-13 Series – YKK® Style Doors

Recessed Pivot Sets 1/8" (3.18 mm)

Recessed Pivot Sets

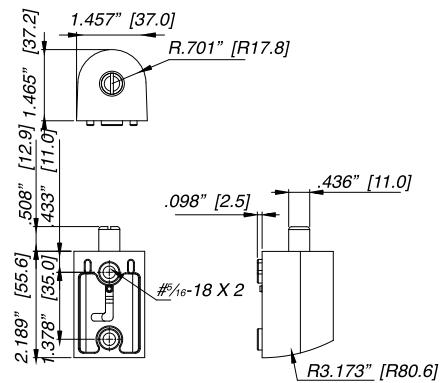
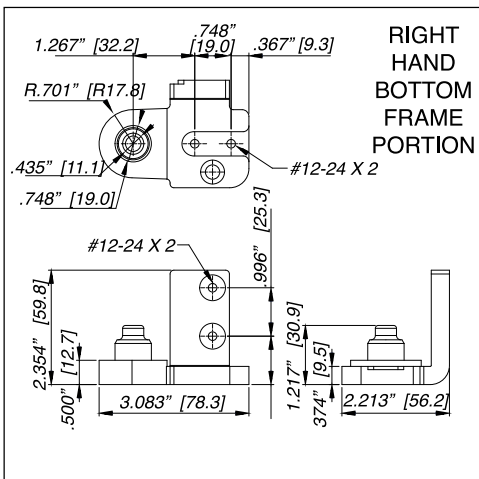
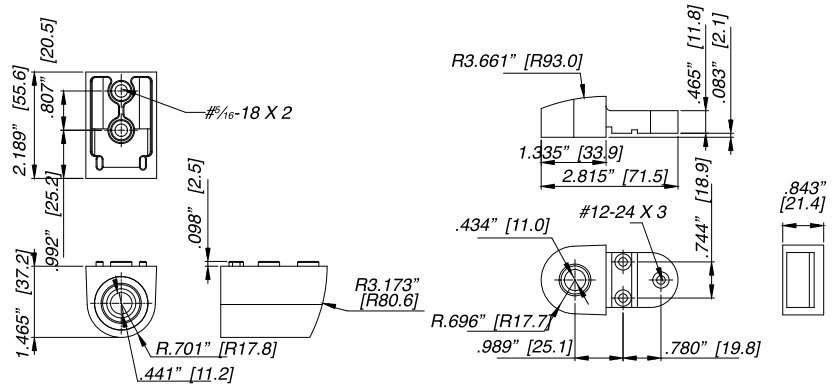
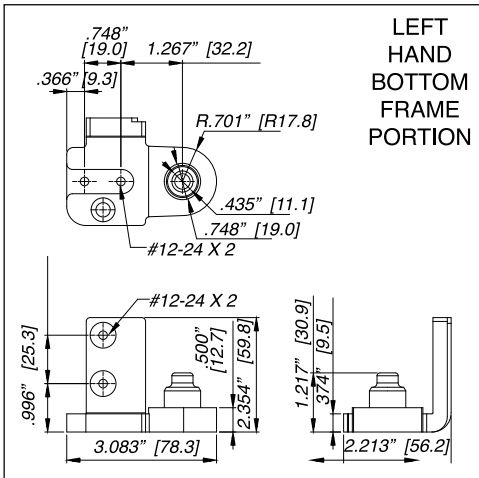
- IL-OP-13-LH-AL SETS** LH, Clear
- IL-OP-13-LH-DU SETS LH, Dark Bronze
- IL-OP-13-RH-AL SETS** RH, Clear
- IL-OP-13-RH-DU SETS RH, Dark Bronze

Screw Pack

- IL-OP-13 SCREW PACK-AL** Clear
- IL-OP-13 SCREW PACK-DU Dark Bronze



Available in dark bronze



IL-OP-14 Series – US Aluminum® and Arcadia® Style Doors

Flush Door Pivot Sets

Flush Door Pivot Sets

IL-OP-14-LH-AL SETS LH, Clear
 IL-OP-14-LH-DU SETS LH, Dark Bronze

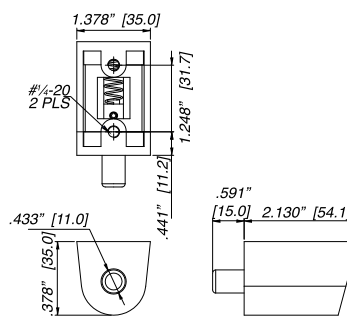
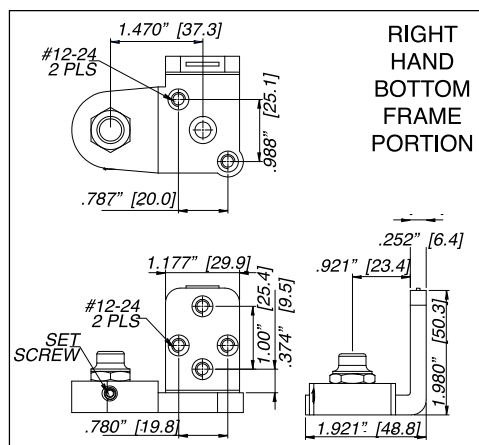
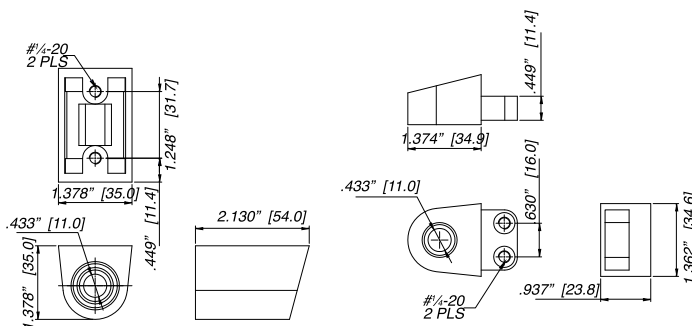
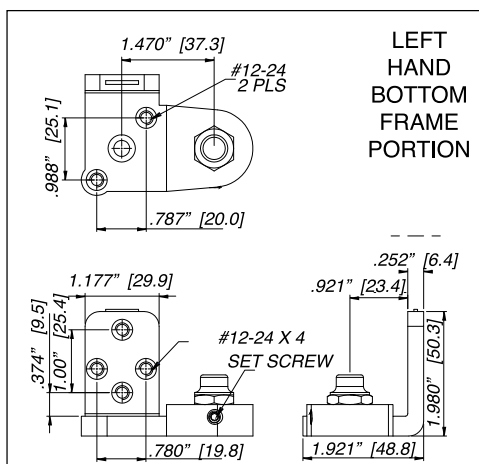
IL-OP-14-RH-AL SETS RH, Clear
 IL-OP-14-RH-DU SETS RH, Dark Bronze

Screw Pack

IL-OP-14 SCREW PACK-AL Clear
 IL-OP-14 SCREW PACK-DU Dark Bronze



Available in dark bronze



IL-OP-15 Series – Pittco® and Efcó® Style Doors

31/32" (24.61mm) Recessed Pivot Sets

Recessed Door Pivot Sets

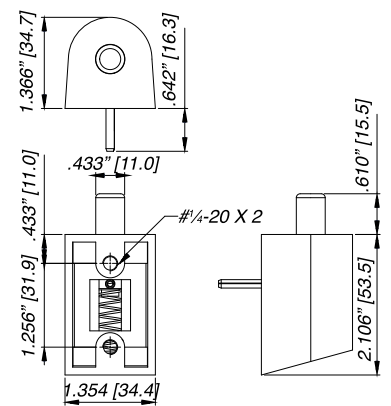
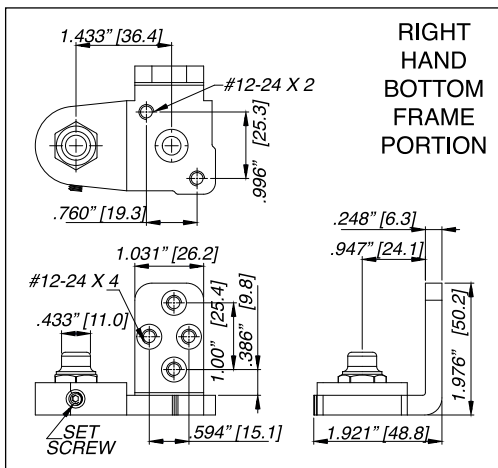
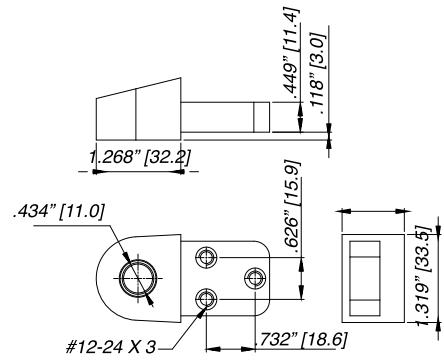
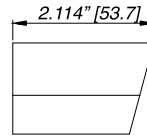
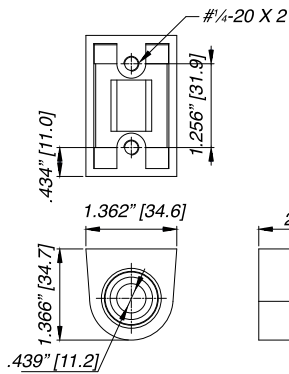
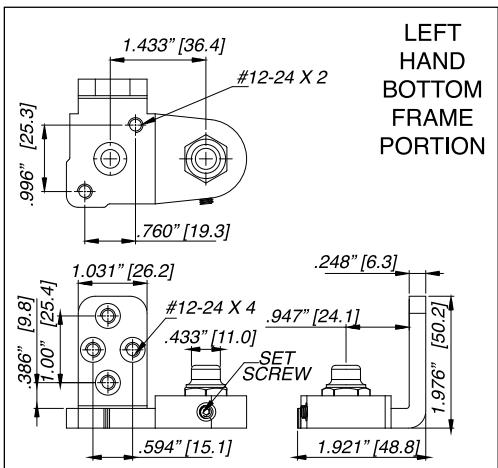
- IL-OP-15-LH-AL SETS** LH, Clear
- IL-OP-15-LH-DU SETS LH, Dark Bronze
- IL-OP-15-RH-AL SETS** RH, Clear
- IL-OP-15-RH-DU SETS RH, Dark Bronze

Screw Pack

- IL-OP-15 SCREW PACK-AL** Clear
- IL-OP-15 SCREW PACK-DU Dark Bronze



Available in dark bronze



IL-OP-18 Top & Bottom Portion Set – Kawneer® Style Doors

1/8" (3.18 mm) Recessed Pivots - Top and Bottom sold separately to form a "set"

Recessed Door Pivot Sets

Top Pivot

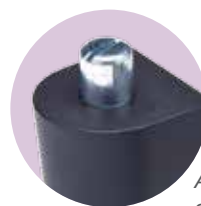
IL-OP-18-AL TOP PIVOT	NH, Clear
IL-OP-18-DU TOP PIVOT	NH, Dark Bronze

Bottom Pivot

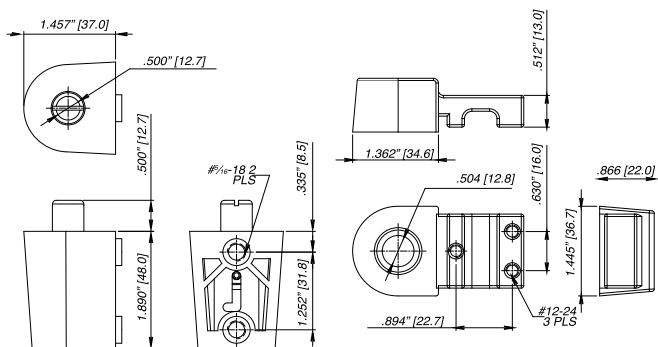
IL-OP-18-LH-AL BOTTOM	LH, Clear
IL-OP-18-LH-DU BOTTOM	LH, Clear
IL-OP-18-RH-DU BOTTOM	RH, Dark Bronze

Screw Pack

IL-OP-18 SCREW PACK-AL	Clear
IL-OP-18 SCREW PACK-DU	Dark Bronze



Available in dark bronze



IL-OP-19 Series – Aldora® Style Doors

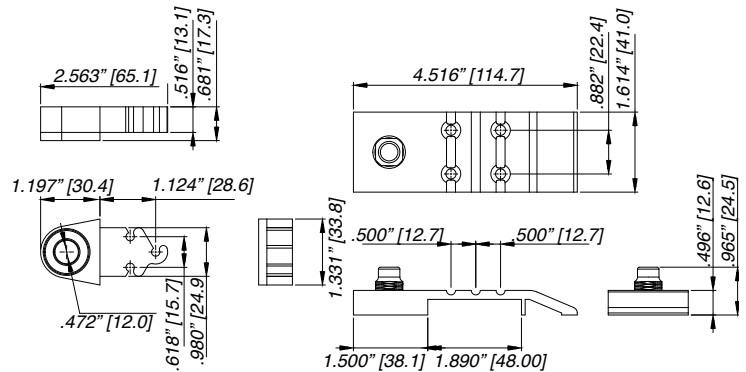
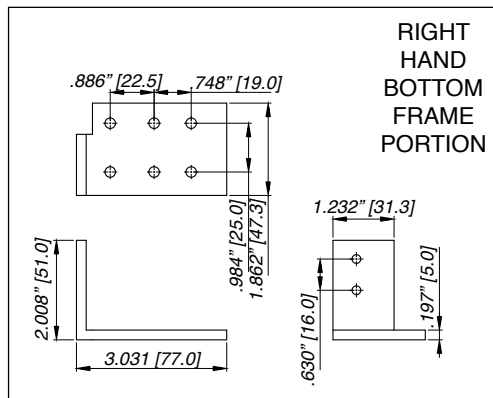
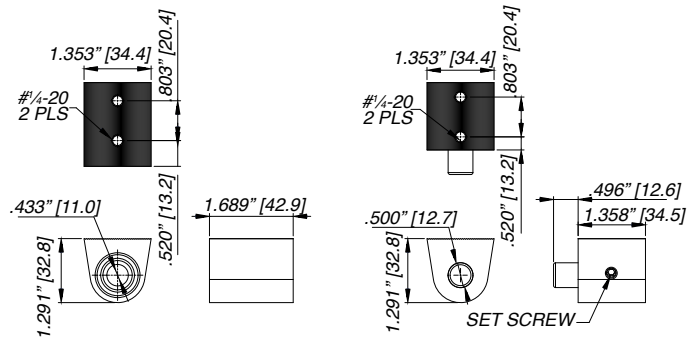
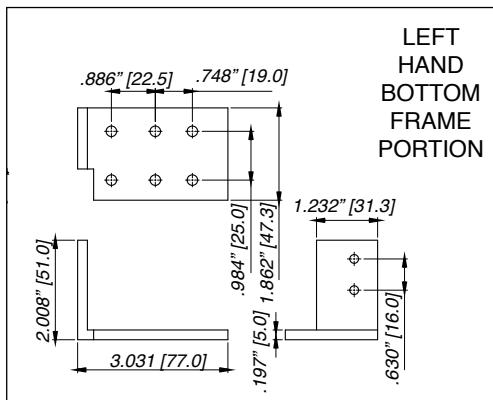
1/8" (3.18 mm) Recessed Pivot Sets

Recessed Door Pivot Sets

IL-OP-19-LH-AL	LH, Clear
IL-OP-19-LH-DU	LH, Dark Bronze
IL-OP-19-RH-AL	RH, Clear
IL-OP-19-RH-DU	Rh, Dark Bronze



Available in dark bronze



Intermediate Pivots – For Aluminum Doors & Frames

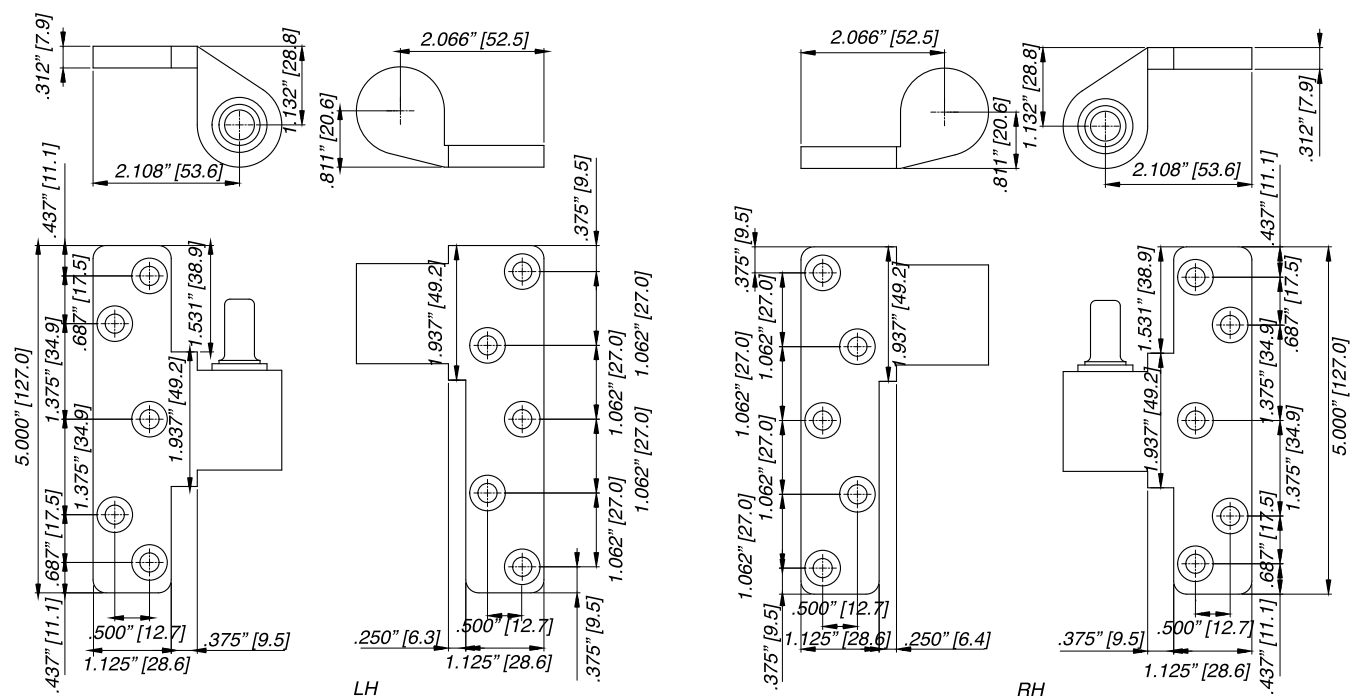
- Die cast aluminum construction
- Full race ball bearing incorporated into bottom pivot portion
- Easy vertical adjustment
- Supplied with fasteners
- Also available in dark bronze and black



IL-10 Series

3/4" (19.05 mm) Offset

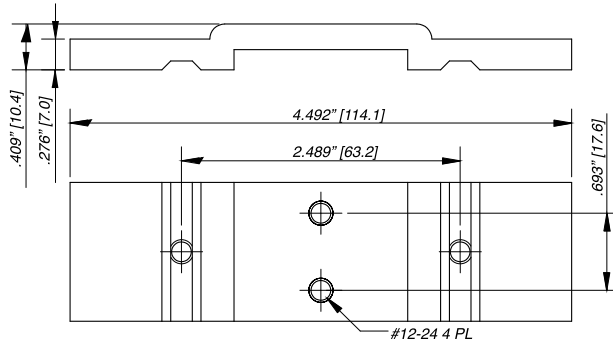
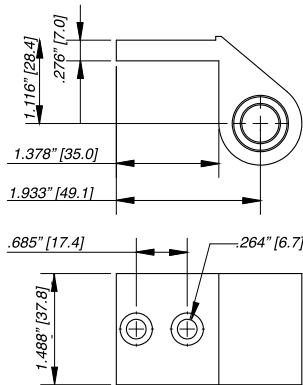
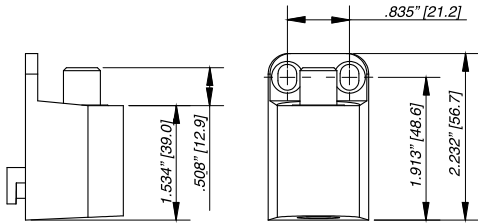
IP-10-LH-AL	LH, Clear
IP-10-RH-AL	RH, Clear
IP-10-LH-DU	LH, Dark Bronze
IP-10-RH-DU	RH, Dark Bronze
IP-10-LH-DU-2	LH, Black
IP-10-RH-DU-2	RH, Black
Backing Plate	
IP-10	Steel Backing Plate



IP-12 Series

Non-handed, fully reversible

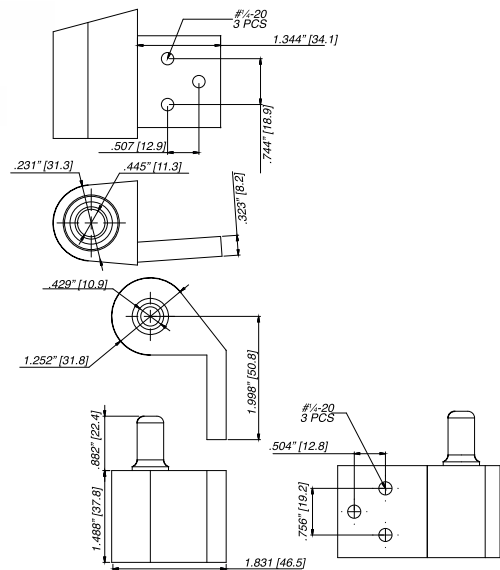
IP-12-NH-AL	NH, Clear
IP-12-NH-DU	NH, Dark Bronze
IP-12-NH-DU-2	NH, Black



IP-22 Series

3/4" (19.05 mm) Offset

IP-22-LH-AL	LH, Clear
IP-22-LH-DU	LH, Dark Bronze
IP-22-RH-AL	RH, Clear
IP-22-RH-DU	RH, Dark Bronze



Butt Hinges

Butt Hinge - IL-45 Series

Dimensions: 4.5" x 4" x .134" (114.3 mm x 101.6 mm x 3.4 mm)

- Non-corrosive stainless steel
- Non-removable pin (prevents removal when door is in closed position)
- Zero swagged with 1/4" radius corner
- Available finishes: Clear, Dark Bronze
- Single packs include machine and wood screws (2/box), Bulk packs include machine screws only (30/box)



IL-4540NRP2BB- AL Single pack, Clear (32D)

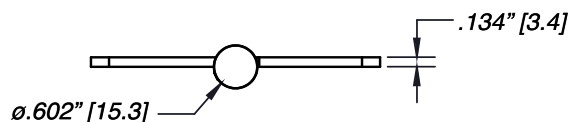
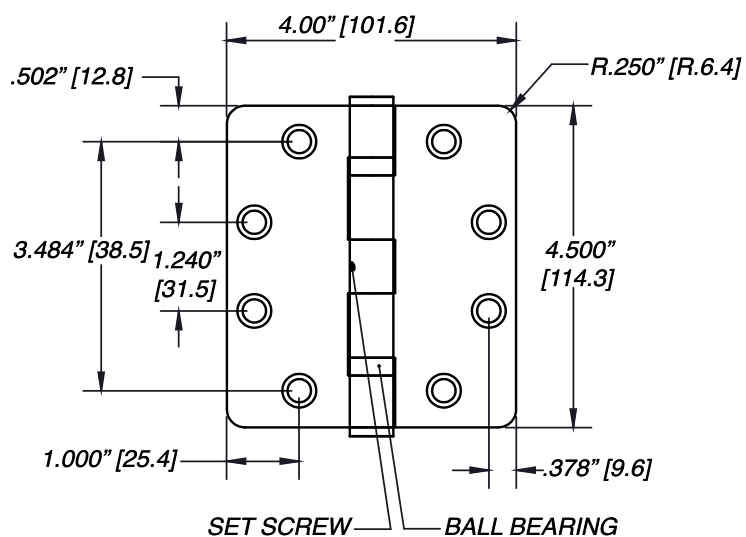
IL-4540BBNRP-AL BULK Bulk pack, Clear (32D)

IL-4540NRP2BB-DU Single pack, Dark Bronze

IL-4540BBNRP-DU BULK Bulk pack, Dark Bronze

Back Up Plate

IL4-BP-H Back up plate



Lock and Door Accessories — Faceplates

Faceplates

For 185 Series Deadbolts, 451 and 452 Deadlatches

Finishes: Aluminum Anodized
Dark Bronze Anodized
Black Anodized

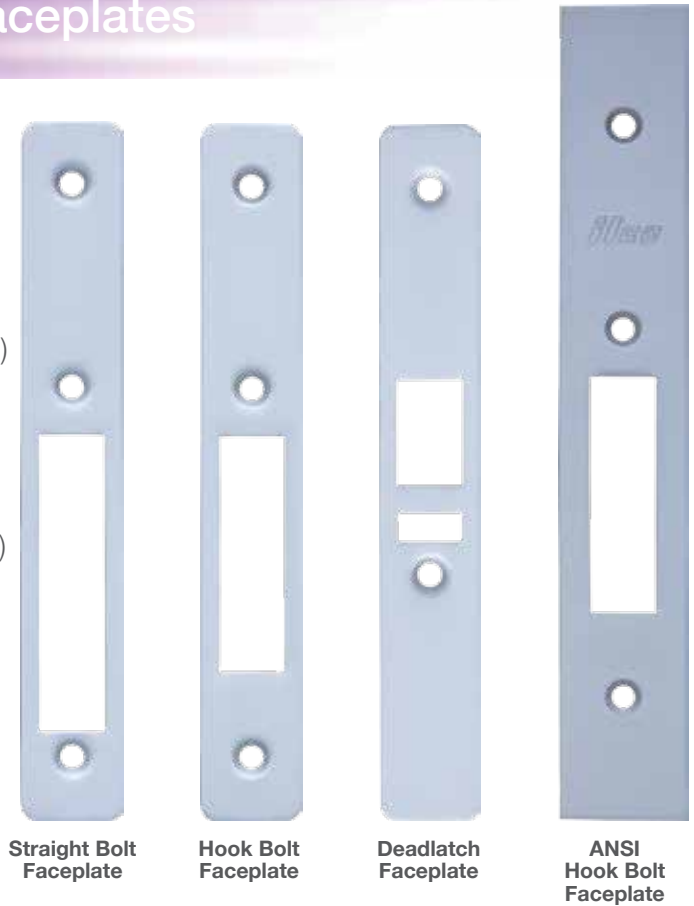
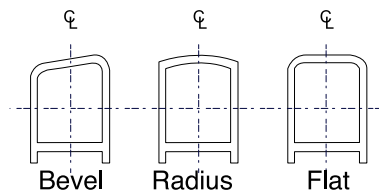
Dimensions: 1" x 6 7/8" (25.4 mm x 174.63 mm)

Plate only for ANSI sized Hook Bolt

Finishes: Aluminum Anodized,
Dark Bronze Anodized

Dimensions: 1 1/4" x 8" (31.75 mm x 203.2 mm)

Faceplate Styles



How To Order Faceplates

FP - DB - F - NH - 628 -

1	2	3	4	5	6
MODEL NO.	TYPE	STYLE	HANDING	FINISH	SPECIAL
	2 TYPE	3 STYLE	4 HANDING	5 FINISH	6 SPECIAL
DB	Deadbolt	F Flat	NH No Hand	628 Aluminum (AL)	AN ANSI
HB	Hookbolt	B Bevel	RH Right Hand	313 Durototic Dark Bronze (DU)	Leave Blank if not applicable
DL	Deadlatch	R Radius	LH Left Hand	335 Black (BLK)	
RDL	Reversible Deadlatch	RW Radius with Weather Strip			

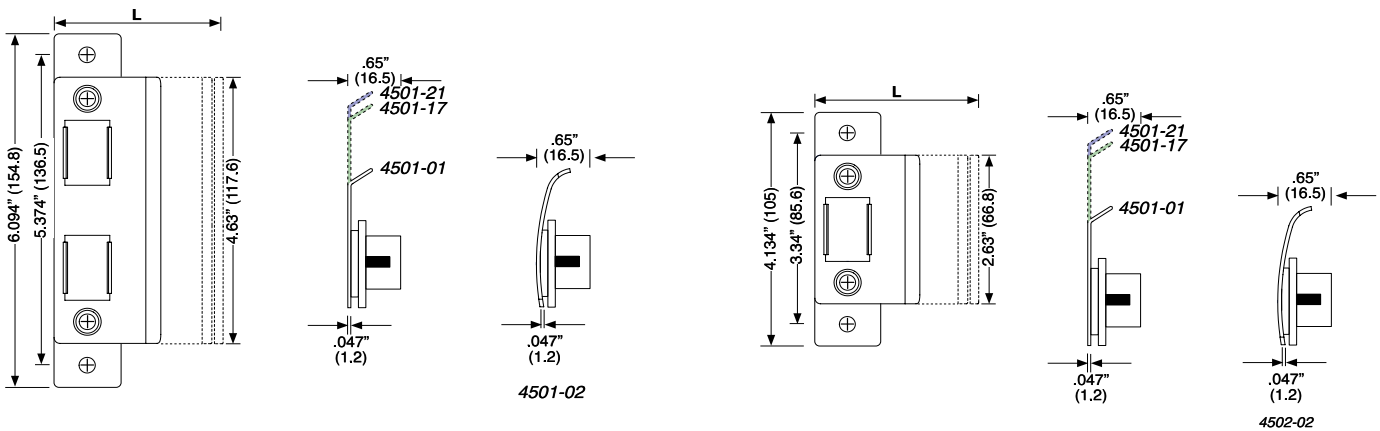


Deadlatch Strikes



Deadlatch Strikes

4501-01	1.87" (45.7 mm) Long Lip Standard, Clear
4501-01-DU	1.87" (45.7 mm) Long Lip Standard, Dark Bronze
4501-02	1.87" (45.7 mm) Long Lip Radius, Clear
4501-02-DU	1.87" (45.7 mm) Long Lip Radius, Dark Bronze
4502-01	1.87" (45.7 mm) Short Lip Standard, Clear
4502-01-DU	1.87" (45.7 mm) Short Lip Standard, Dark Bronze
4502-02	1.87" (45.7 mm) Short Lip Radius, Clear
4502-02-DU	1.87" (45.7 mm) Short Lip Radius, Dark Bronze
4501-17	2.90" (73.6 mm) Long strike extended lip for center hung doors 4" (101.60 mm) frame, Clear
4501-21	3.13" (79.5 mm) Long strike extended lip for center hung doors 4.5" (114.30 mm) frame, Clear
4502-17	2.90" (73.6 mm) Short strike extended lip for center hung doors 4" (101.60 mm) frame, Clear
4502-21	3.13" (79.5 mm) Short strike extended lip for center hung doors 4.5" (114.30 mm) frame, Clear



Threshold, Header and Flush Bolts

Threshold Bolt – THB-4015 Series for Deadbolt and Hookbolt

THB-415 is a two-point lock that enhances the security of double door installations.

When the deadbolt is actuated, the bolt extends in to the threshold. Three point locking is achieved when a Threshold bolt is used in conjunction with a header bolt.

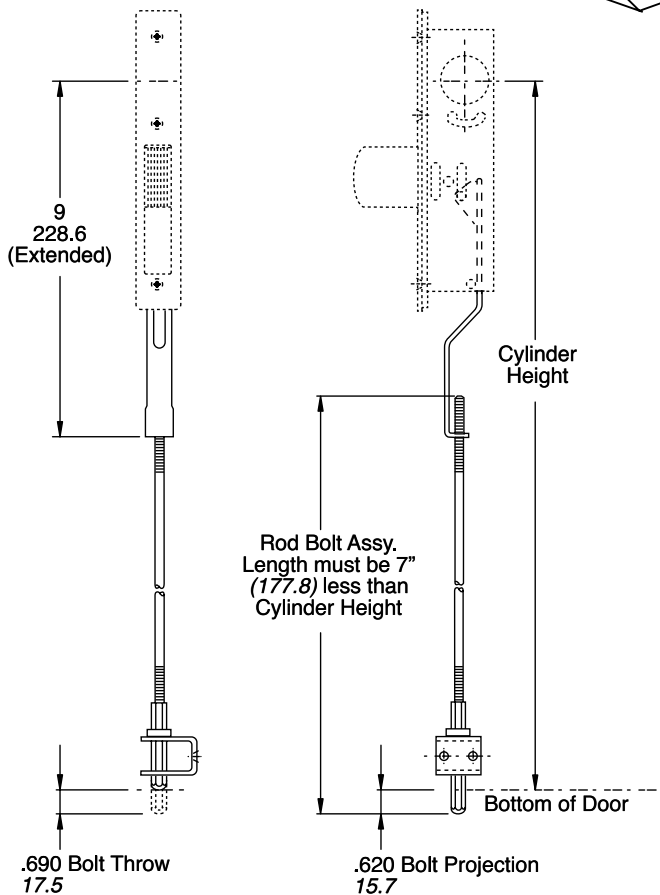
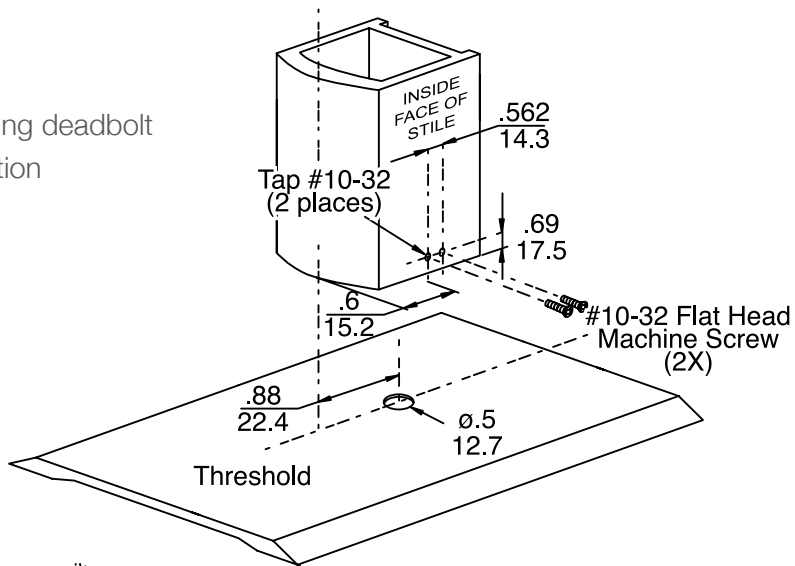


THB-4015

Throw: 11/16" (17.45 mm)
Cylinder Height: 34" (863.6 mm)

- Attaches to the rear of the pivoting deadbolt
- Easily add to an existing installation
- Rod is zinc plated steel

Stile Preparation



Threshold, Header and Flush Bolts

Header Bolt – HDB-4085 Series for Deadbolt

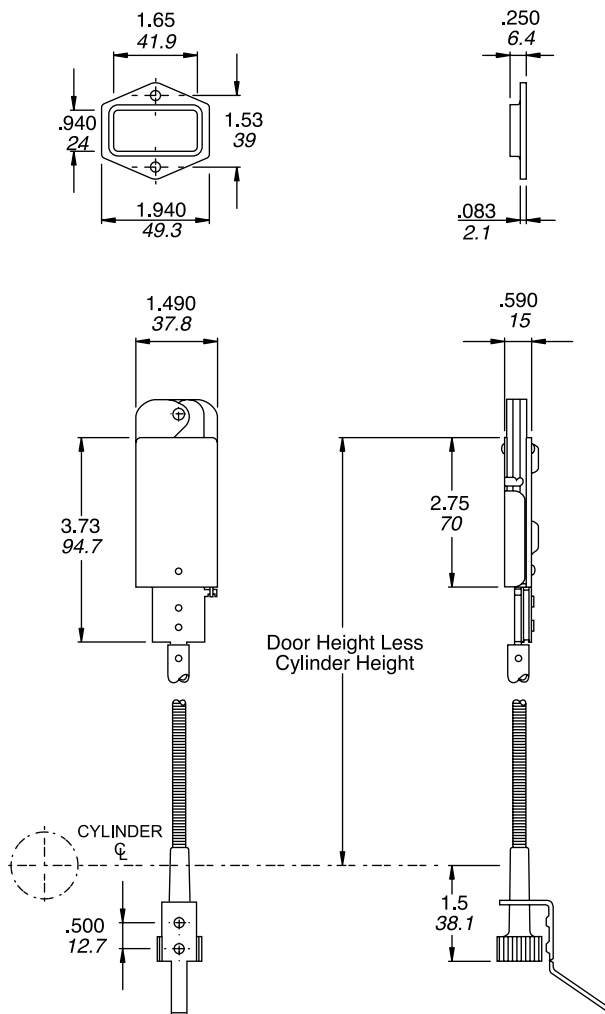
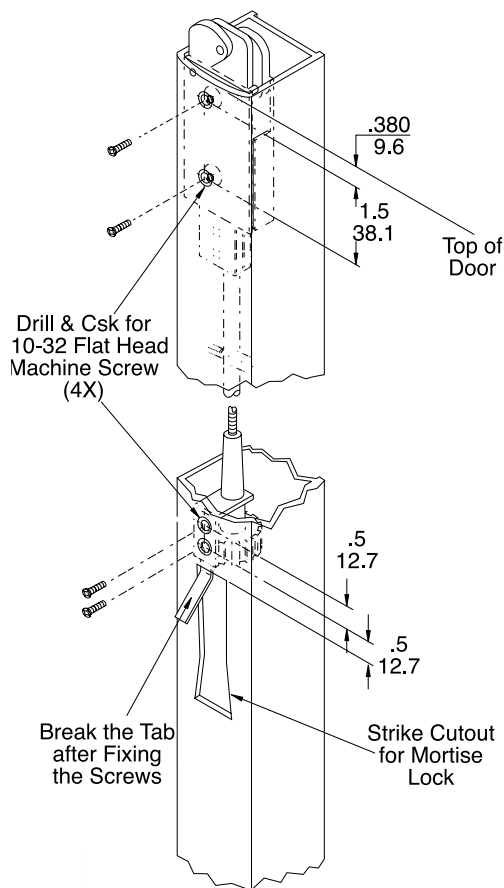
HDB-4085 provides a top of door, third locking point on the inactive leaf. With the actuation of the lock, the bolt extends into the header strike with a “scissor like” action.

- Installed in the inactive leaf
- Nylon strike included (required for operation)
- Rod is zinc plated steel

Centerline of Cylinder to top of door

HDB-4085	30" to 50" (752 mm to 1270 mm)
HDB-4085-1	55" to 78" (1397 mm to 1981.2 mm)
HDB-4085-2	79" to 92" (2006.6 mm to 2336.8 mm)

Stile Preparation



THB-4015



Flush Bolt – FLB Series

The FLB Series provides an easy retrofit and economical solution for simply securing the inactive leaf of a double door.

Throw: 5/8" (15.87 mm) or 7/8" (22.23 mm)

Offset: 1/8" (3.18 mm) - 11" (279.40mm) rod

Also available:

Throw: 5/8"

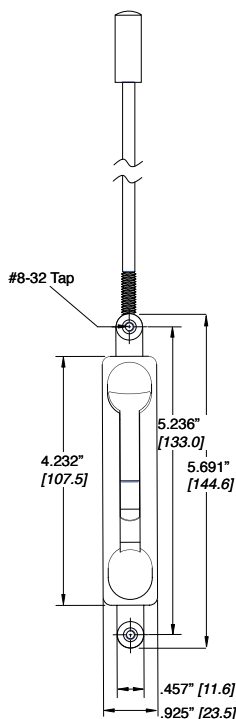
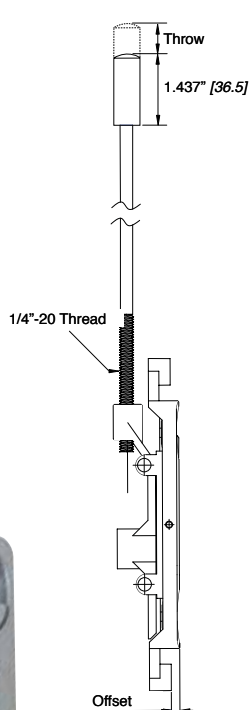
Offset: 1/8" (3.18mm) – 16" (406.4mm) rod

- Adjust length by turning the nylon tip
- Zinc plated steel rod with nylon tip is standard; Metal tip available special order in 1/8" (3.18 mm) offset, 5/8" (15.87 mm) throw
- Available in Aluminum or Dark Bronze
- Additional Guide Pack sold separately (FBL-Guide Pack)

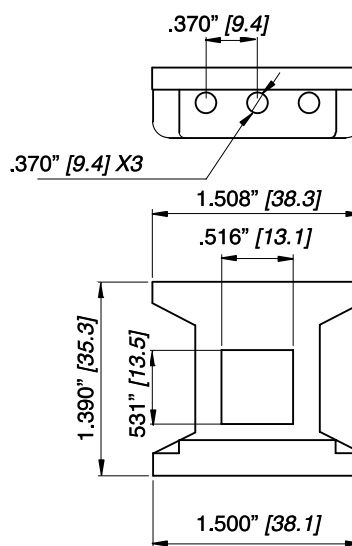


FLB-58-18-DU-M

FLB-58-18-AL



Threshold / Header Preparation



How To Order Flush Bolts

FLB - 58 - 18 - AL - 16

1	2	3	4	5
MODEL NO.	THROW	OFFSET	FINISH	SPECIAL
	2	3	4	5
	THROW	OFFSET	FINISH	SPECIAL
	58	18	AL	16
	78		DU	M

Threshold, Header and Flush Bolts

Two-Point Flush Bolt – IL-1880 Series

IL-1880 Series is an alternative to the FLB Series Flush Bolt to secure the inactive leaf of a double door. It simplifies the process with one operation instead of two.

Operates as auxiliary lock and is not to be utilized as a stand-alone locking mechanism.

Throw: 23/32" (18.3mm)

- Steel hexagonal bolt, plated
- Interlocking mechanism prevents the engagement of main lock's pivoted bolt until the vertical bolts are locked and prevents unlocking of vertical bolts when the pivoted bolt is locked
- Operates in conjunction with pivoting deadbolts (185 and HB185)

	Cylinder Height up to:	Door Dims	Finish
IL1880-1-84-AL	37" (939.8 mm)	84" (2133.6 mm)	Clear
IL1880-1-84-DU	37" (939.8 mm)	84" (2133.6 mm)	Dark Bronze
IL1880-1-84-BLK	37" (939.8 mm)	84" (2133.6mm)	Black
IL1880-1-96-AL	37" (939.8 mm)	96" (2438.4 mm)	Clear
IL1880-1-96-DU	37" (939.8 mm)	96" (2438.4 mm)	Dark Bronze
IL1880-1-96-BLK	37" (939.8 mm)	96" (2438.4 mm)	Black
IL1880-2-96-AL	42" (1066.8 mm)	96" (2438.4 mm)	Clear
IL1880-2-96-DU	42" (1066.8 mm)	96" (2438.4 mm)	Dark Bronze
IL1880-2-96-BLK	42" (1066.8 mm)	96" (2438.4 mm)	Black

Lock Only, No Rods:

IL1880-AL	Clear
IL1880-DU	Dark Bronze
IL1880-BLK	Black

THB-1880-AL



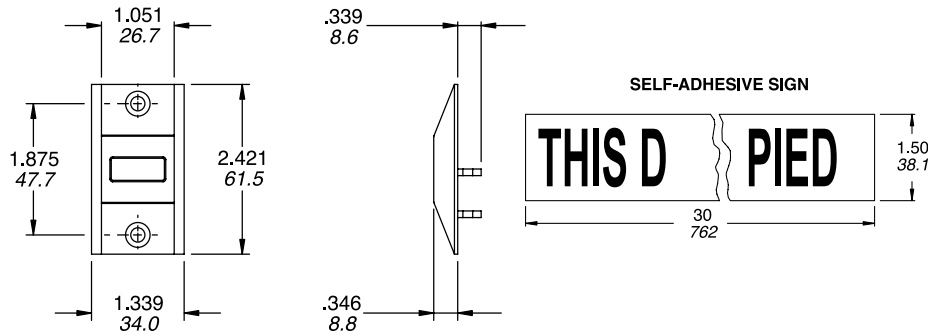
Door Accessories

Lock Indicator Sets –LI-408

This exit door indicator provides notification of “locked” or “open” to an exit door. “Open” appears in Green letters and “Locked” appears in Red letters.

- Deadbolt (straight or hook bolt) accessory
- Includes 2 self-adhesive header signs (below), 2 pins and 2 screws
- Fits standard 1 3/4" (44.4 mm) doors
- Zinc alloy escutcheon

- LI-408-AL** Aluminum Powder Coat Finish
- LI-408-DU** Dark Bronze Powder Coat Finish



Replacement Header Sign – self-adhesive

- 22-HS-BIO “THIS DOOR TO REMAIN UNLOCKED WHEN THE BUILDING IS OCCUPIED”
- 22-HS-DBH “THIS DOOR TO REMAIN UNLOCKED DURING BUSINESS HOURS”

THIS DOOR TO REMAIN UNLOCKED WHEN THE BUILDING IS OCCUPIED

THIS DOOR TO REMAIN UNLOCKED DURING BUSINESS HOURS

Door Accessories

Kick Down Door Stop - KDDH Series

- Concentric groove design on stop provides maximum non-slide grip
- Stainless steel spring retains arm in vertical position when not in use
- Narrow mounting bracket suits most doors
- Available finishes are Clear, Dark Bronze and Black

Dimensions:

4" (101.6 mm); Base: 7/8" x 1" x 3/4" (22.2 mm x 25.4 mm x 19.1 mm)

5" (127 mm); Base: 1 1/2" x 2" (22.2 mm x 25.4 mm x 19.1 mm / 38.1 mm x 50.8 mm)

IL-KDDH-4-AL	4" (101.6 mm), Clear
IL-KDDH-4-DU	4" (101.6 mm), Dark Bronze
IL-KDDH-4-BLK	4" (101.6 mm), Black
IL-KDDH-5-AL	5" (127 mm), Clear
IL-KDDH-5-DU	5" (127 mm), Dark Bronze
IL-KDDH-5-BLK	5" (127 mm), Black



Push Down Door Stop - IL-PDDH Series

- Heavy duty design for metal or wood doors
- Step operation for holding and releasing
- Grooved strike for added holding and strength
- Available finishes are Clear, Dark Bronze and Black

Dimensions:

7 3/4" x 1 5/8" x 1 13/64"

(196.9 mm x 41.28 mm x 30.56 mm)

IL-PDDH-AL	Clear
IL-PDDH-DU	Dark Bronze
IL-PDDH-BLK	Black
IL-PDDH-26D	26D
IL-PDDH-Replacement Tip	Replacement Tip for Push Down Door Stop



Exit Devices — Mechanical

- Meets ANSI Grade 1 requirements, UL Listed Life Safety
- Low profile push bar projects less than 3" (76.2 mm) from face of door
- Coated metal end caps
- Two stock lengths: 36" (914.4 mm) and 48" (1219.2 mm)
- Easy access dogging system, optional cylinder dogging
- Field sizeable to 28" (711.2 mm) in width

128 Series - Concealed Vertical Rod (CVR)

Applications: narrow, medium and wide stile aluminum doors, easily retrofits existing Jackson® 1285 exit devices.

The CVR Exit Device blends the vertical rod with the appearance of a contemporary panic / exit device. This style secures the door without exposed external hardware. The rods are concealed within the door, making this a more aesthetically pleasing installation.

Although CVR devices are primarily used on double doors without a mullion (center piece), they may also be used on single doors.

- Top and bottom bolt design, spring powered with 5/8" (15.88 mm) bolt throw
- Adaptable metal bolt guides permit adjustment with door installed
- Handed, not reversible
- For doors over a 7' (2133.6 mm) height, use a top rod extender



Exit Devices — Mechanical

129 Series - Rim Exit Devices

Applications: hollow metal, wood or aluminum doors, retrofits existing doors with Jackson® 1295 exit devices.

Rim Exit Devices are used on either single or double doors. When installing on double doors, a mullion (center piece) is required to enable the latch bolt, thus securing the door. All hardware is exposed.

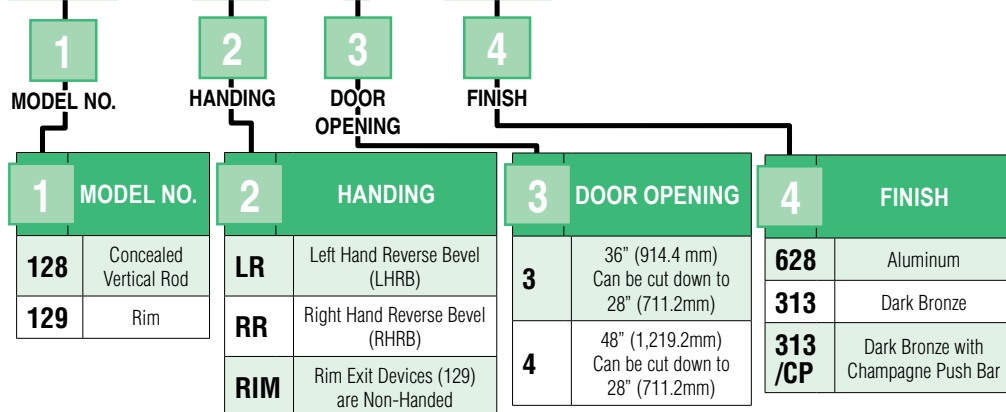
The Iico Rim Exit Devices feature a 3/4" (19 mm) throw latchbolt, non-handed. Surface mounted strike options include type "C" (standard) and type "S" (for blade stop). Both types of strikes are included with each device.

- Non-Handed
- Pairs with Kaba® E-plex 3000 Series lock



How To Order Exit Devices

1 2 8 **LR - 3 - 6 2 8**



WARRANTY Terms and Conditions

This limited warranty applies to cylinders, storefront hardware and exit devices, purchased new from Kaba Ilco Corp. hereinafter referred to as "Kaba Ilco" or reseller by the original end user purchaser on the original site of installation for normal use and not for resale.

Kaba Ilco warrants that a covered product is free from defects in material and workmanship subject to the terms and conditions set out below.

This warranty does not apply to any defects or malfunctions resulting from improper installation or use. Products and parts not manufactured by Kaba Ilco are guaranteed only in accordance with that manufacturer's warranty. Kaba Ilco shall not be liable for any consequential or incidental expenses resulting from breach of this warranty or any implied warranty.

This warranty is expressly given and accepted in lieu of any and all other warranties, expressed or implied, including without limitation any warranty of merchantability or fitness for a particular purpose. To the extent that they cannot be disclaimed, the implied warranties are limited in duration to the life of the express warranty. Incidental and consequential damages are excluded from coverage under this warranty. Some states/jurisdictions do not allow for the disclaimers, limitations and exclusions identified above; as a result, they may not apply to you. This warranty gives you specific rights, and you may also have other legal rights which may vary from state to state or from one jurisdiction to another.

No distributor, dealer, sales representative nor any other person has been authorized to make any affirmation, representation or warranty regarding the product, other than those contained in this limited warranty, and if made, shall not be enforceable against Kaba Ilco. Kaba Ilco reserves the right to modify this warranty at any time, it being understood that such modification will not alter the warranty conditions applicable to the products sold while this warranty is in effect.

We will, at our discretion, repair or replace free of charge, including shipping charges back to end user, any product found to be defective and subject to this warranty, provided it is delivered pre-paid to Kaba Ilco.

The end user is responsible for the cost of removal and reinstallation. To assure your return is properly handled, contact Kaba Ilco customer service prior to sending any product. This warranty does not apply to any defects or malfunctions resulting from improper installation, improper use or normal wear and tear.

Cylinder Limited Warranty

Kaba Ilco offers to the original purchaser a limited one (1) year warranty on brass cylinders against defects in materials and workmanship.

Kaba Ilco offers to the original purchaser a limited six (6) months warranty on zinc die cast cylinders against defects in materials and workmanship.

Storefront Hardware Limited Warranty

Kaba Ilco offers a limited five (5) year warranty on all storefront hardware bearing the following item numbers 185 series deadbolts, 451 series deadlatches, FP series faceplates, 4501/4502 series strike sets, 459 series paddle handles, 456 series lever handles, 404 series cylinder guards, 408 series lock indicators, 4015 series threshold bolts, 4016 and 4085 series header bolts and FLB series flush bolts against defects in material and workmanship.

Exit Device Limited Warranty Kaba Ilco offers a limited two (2) year warranty on all exit devices and accessories bearing the following item numbers 128 Series CVR and 129 Series Rim exit devices against defects in material and workmanship.

In compliance with current regulations relating to industrial property, we hereby state that the brand, trademarks and/or trade names utilized within this document are the exclusive property of the authorized manufacturers.

Said trademarks and/or trade names are nominated only for the purposes of information in order that any cylinder, lock, key and/or door hardware for which our products are made can be rapidly identified.

All information and illustrations in this document are for guidance only. We reserve the right to alter products designs, dimensions and information.

The contents of this document are fully protected by copyright and may not be copied or reproduced in any form, without the written permission of Kaba Ilco Corp. Any controversy shall be settled by the Courts of Justice where the company has its headquarters, with express exclusion of any other court.

North America:

U.S.A., Canada, Caribbean Islands

Kaba Ilco Corp.

400 Jeffreys Road

Rocky Mount, NC 27804

www.ilco.us

Ph: 800.334.1381 or 252.446.3321

Fax: 252.446.4702

Central America:

*Mexico, Guatemala, Belize, El Salvador, Honduras,
Nicaragua, Costa Rica, Panama*

Corporación Cerrajera Alba S.A. de C.V.

Prolongación avenida independencia 14, Bodega 5.

Col. Los reyes, Tultitlán, Estado de México.

C.P. 54915

www.albailco.mx

Ph: 01.55.5366.7200

The  to your success

