

CX-ED1579L 'All-in-One' Fire Electric Strike Installation Instructions

This Package Includes:

- | | |
|---|-----------------------------|
| 1 -4 PIN power connector | 5 -M5 x 12 mm screws |
| 1 -3 PIN door status connector | 2 -#10 x 1 1/4" wood screws |
| 1 -EMP1, EMP2, EMP3, EMP4 and EMP5 faceplates | 2 -#10-32 x 1/2" screws |
| 4 -Wire nuts | 2 -Mounting brackets |
| | 2 -Spacers |

1. Description

Camden CX-ED1579L grade 1 electric strike for mortise and cylindrical locksets offer the very best strike quality and features, with the added value of built-in latch monitoring, four stainless steel faceplates and 'Universal' performance, including field selectable voltage and fail safe/fail secure operation.

2. Specifications

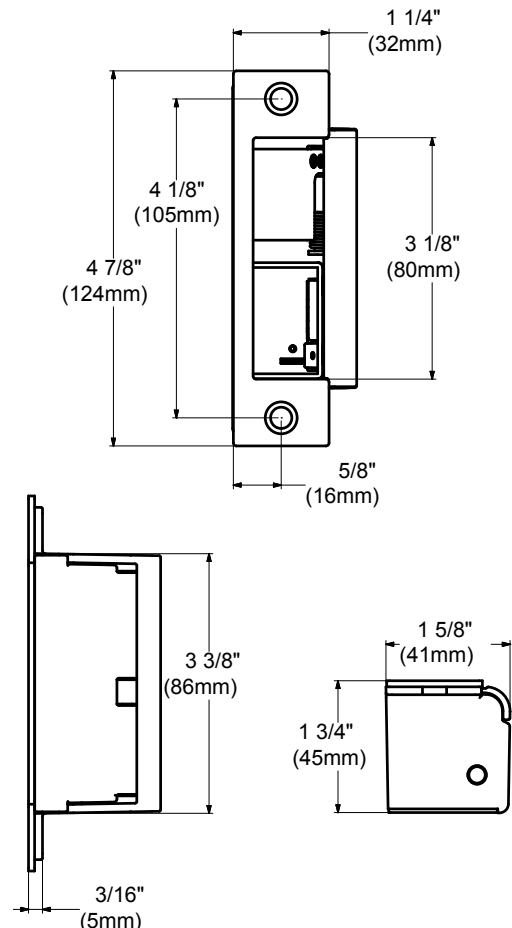
Voltage	12/24V AC/DC
Current Draw	260mA@12V AC/DC 150mA@24V AC/DC
Static Strength	1,500 Lbs.
Dynamic Strength	70 Ft-Lbs.
Endurance	1,500,000 Cycles (Factory Tested)
	250,000 Cycles (UL Verified)
Fire Rating	UL 10C/CAN4-S104 3 hrs. (Fail Secure Only)
Mode	Field Selectable Fail Safe/Fail Secure
Operation	AC-Buzz DC-Silent
Duty	Continuous
Latch Bolt Monitor	SPDT, 100mA @ 24V DC
Dimensions (Body)	3 3/8" H x 1 5/8" W x 1 13/4" D (86mm x 41mm x 44mm)



UL 294 Performance Levels

- Line Security = Level I
- Attack Level = Level I
- Endurance Level = Level IV
- Standby Power = Level I

3. Dimensions

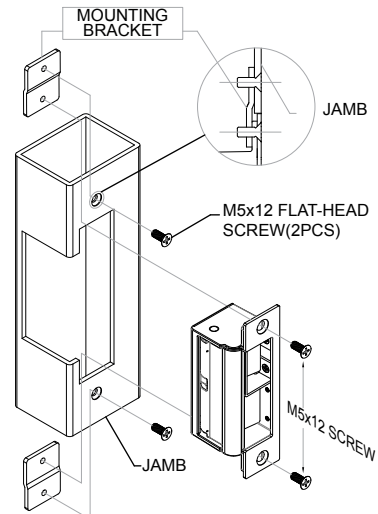


4. Installation

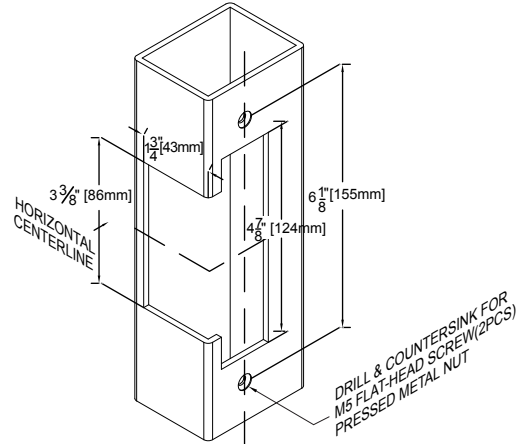
1. Prepare the door jamb as per the appropriate drawing.
2. Install mounting brackets to jamb using M5x12 screws and pressed metal nuts. Do not tighten.
3. Spacers are used to assure flush final assembly of faceplate into jamb. Add one or more spacers between jamb and mounting bracket when face plate extends beyond the jamb. When the faceplate sits inside the jamb, spacers must be added between the mounting bracket & the lip bracket. Make sure the clearance hole in the spacer aligns with the hole in mounting bracket.
4. Connect wires coming from the low voltage side of the transformer to wires from strike.
5. Install electric strike jamb by attaching with # 10-32 screws and lockwashers.
6. Tighten secure M5x12 screws holding mounting brackets to jamb.

Note: The products are intended to be installed in accordance with the installation wiring diagram, mechanical assembly drawings provided with each product, the local authority having jurisdiction (AHJ) and the National Electric Code, NFPA 70. When installed in fail secure mode, the local authority shall be consulted with regard to the use of possible panic hardware to allow emergency exit from the secure area.

The electric door strike shall be installed in such a way and in such a location so as to not impair the operation of an emergency exit device or panic hardware mounted on the door.



Frame Install



Latch Bolt Monitor and Bracket Installation

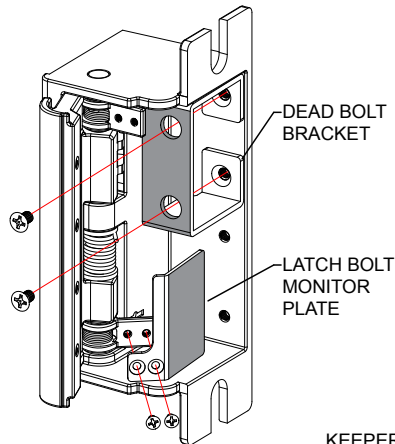


Figure 1

Keeper Shim Installation

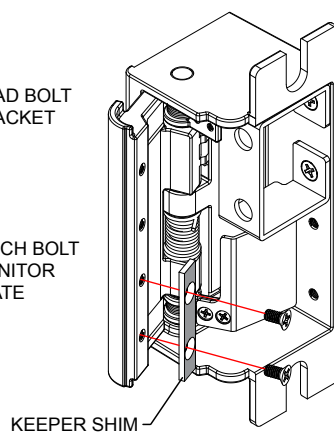


Figure 2

Note: Figures show typical installation. The dead bolt bracket, monitor plate and keeper shims can be mounted in alternate locations depending on RH or LH installation.

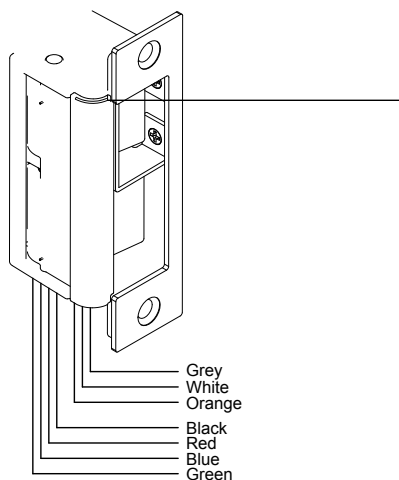
6. Installation

Door Status Sensor
(Closed position)

Purple = N/O

Brown = N/C

Yellow = COM



Push Buttons



Keypads



Strikes



Magnetic Locks



Key Switches



Relays & Timers



Access Control