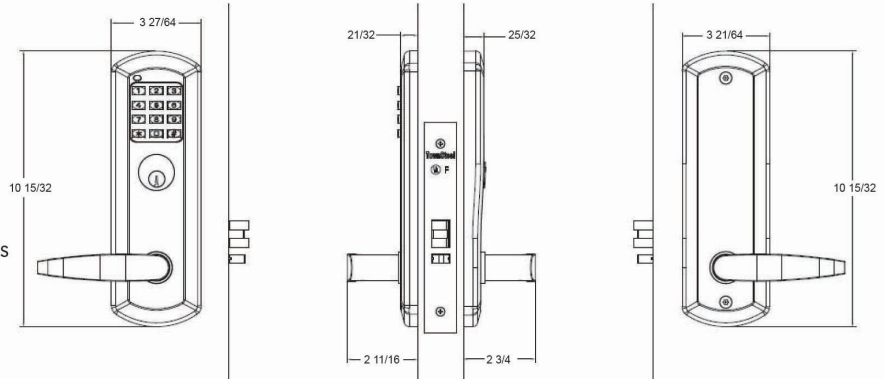


Overview

The XME-2000 is a standalone electronic function lock that provides keypad technology integrated with an ANSI Grade 1 heavy duty mortise lockset for greater security. Keypad technology simplifies the management of the system and provides ease of use. Maximum code capacity includes 1 master code, 10 manager codes, 90 user codes and 5 service codes. The XME-2000 provides two remote control terminals; One for a fire alarm system and the other for remote release by push button. The XME 2000 is quick and easy to program.

Features:

- Digital keypad mortise lock
- Use keypad to lock or unlock outside lever
- Mechanical key override
- Both clutched and rigid lever trim available
- ANSI/BHMA Certified heavy duty Grade 1 mortise chassis
- Various cylinder and keying options
- Easy installation, easy programming



Electronic Specifications

Application	Full indoor and outdoor
User codes	Up to 90
Communication	Multi-colored LED and Sound
Power supply	4AA battery
Battery life	Up to 2yrs
Operating temperature	-31° to 151°F (-35° to 66°C)
Certifications	FCC Part 15, UL 10C, A156.13



Without Deadbolt, Outside



Without Deadbolt, Inside

Mechanical Specifications

Chassis	A156.13 certified grade 1 mortise
Handing	Handed, easy field reversible
Door thickness	1-3/4" standard, other upon request
Backset	2-3/4"
Latch bolt	Stainless steel, anti-friction split, 3/4" throw
Faceplate	1-1/8" X 8" standard, 1-1/16" x 8" narrow style available
Escutcheon	Wrought steel or zinc alloy, plated to match finish symbols
Levers	Forged brass or cast zinc, plated to match finish symbols
Lever Style	Sentinel (S), Quest (Q) and Gala (G). Designer lever styles upon request



With Deadbolt, Outside



With Deadbolt Inside

XME-2000



Grade 1 Electronic Mortise Lockset with Keypad

Strike	ANSI strike, 1-1/4" X 4-7/8", steel plated to match finish symbols
Lead line	Available
Clutching	Available
Cylinder and keys	6 pin brass, schlage "C" keyway standard, 2 brass keys per cylinder
SFIC	Small format IC available, 6 or 7 pin, Best "A" keyway
Schlage® LFIC	Schlage® Large format IC housing available
Corbin® LFIC	Corbin® Large format IC housing available, for 6 pin core
High Security Cylinder	Available, TownSteel "L" keyway, Regular 6 pin, SFIC 7 pin
Finish	US26D and US10B stocked finish, other finishes upon request
Warranty	1 year limited for electronic, 10 year limited for mechanical, 5 year limited for finish

Code Compliance

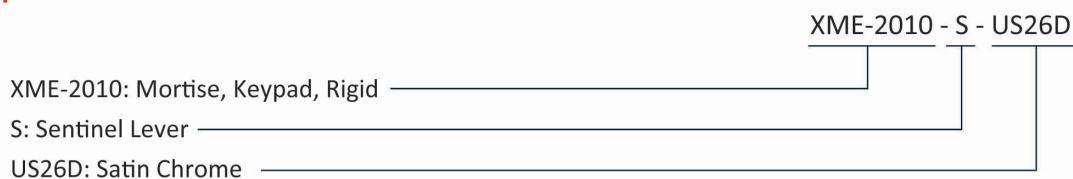
- ANSI/BHMA A156.13: Chassis A156.13-2005 Grade 1 certified
- ANSI/BHMA A156.25: Meets or exceeds all applicable requirements
- UL/ULC: UL10C 3-hour rated
- BAA: Meets guidelines of the Buy American Act
- ADA: Meets requirements of the Americans with Disabilities Act
- RoHS: Meets requirements of EU RoHS Directive 2002/95/EC
- FCC: FCC part 15 certified



How to order

Series	Lever Style	Finish	Keying/Cylinder
XME-2010: Mortise, Keypad, Rigid XME-2020: Mortise, Keypad, Clutched XME-2030: Mortise, Keypad, High Security Cylinder, Rigid XME-2040: Mortise, Keypad, High Security Cylinder, Clutched XME-2050: Mortise, Keypad, Rigid, With Deadbolt XME-2060: Mortise, Keypad, Clutched, With Deadbolt XME-2070: Mortise, Keypad, High Security Cylinder, Rigid, With Deadbolt XME-2080: Mortise, Keypad, High Security Cylinder, Clutched, With Deadbolt	S: Sentinel Q: Quest G: Gala	US26D: Satin Chrome US10B: Powder Coat	Specify when ordering

Example:



FME-2000 & XME-2000

Standalone Electronic Lock Series



US Patented



FME 2000

RFID



XME 2000

KEYPAD

ANSI/BHMA Certified Grade 1 Mortise Lock

- Finish** 622 (US19), 626 (US26D), others upon request
- Cylinder** SC (Schlage C keyway), SFIC / SLFIC / CLFIC with/without core, or high security
- ANSI/BHMA A156.13** Grade 1 certified
- ANSI/BHMA A156.25** Meets Industry Standards
- UL/ULC** UL10C 3-hour rated
- BAA** Meets guidelines of the Buy American Act
- FCC** FCC Part 15 certified



How To Order

Model	XME: Keypad FME: RFID
Series	2010: Rigid 2020: Clutched 2030: High Security Cylinder, Rigid 2040: High Security Cylinder, Clutched 2050: Rigid, with Deadbolt 2060: Clutched, with Deadbolt 2070: Rigid, High Security Cylinder, with Deadbolt 2080: Clutched, High Security Cylinder, with Deadbolt
Lever Style	S: Sentinel / Q: Quest / Or see TownSteel Catalog
Finish	622: US19, Flat Black / 626: US26D, Satin Chrome Or special color upon request
Cylinder	Specify when ordering, any mortise cylinder can be used

