

**STEP 1**

PREPARE DOOR PER TEMPLATE PROVIDED. INSTALL LATCH AS SHOWN. NOTE: TIGHTEN LATCH SCREWS AFTER STEP 2

**STEP 2**

INSTALL OUTER LEVER. ENSURE UNIT IS LOCKED (SHIPPED FROM FACTORY LOCKED), ROTATE KEY APPROXIMATELY 70°, INSERT LEVER. MAKE SURE LEVER IS SECURE AND LOCKED ON THE LEVER CATCH.

**STEP 3**

INSTALL OUTSIDE TRIM ASSEMBLY IN CUTOUT. GUIDE THE WIRE HARNESS THROUGH THE CUTOUTS. LINE UP RETRACTOR ON THE LOCK BODY WITH THE LATCH. TIGHTEN THE LATCH SCREWS. NOTE: DO NOT PINCH THE WIRE HARNESSES.

**STEP 4**

ATTACH INNER PLATE. ROUT WIRES AS SHOWN. THREAD COLLAR ONTO THREADED SPINDLE- DO NOT TIGHTEN. SCREW IN THE 5 MOUNTING SCREWS. TIGHTEN COLLAR WITH SUPPLIED SPANNER WRENCH. ATTACH CABLES TO THE APPROPRIATE CONNECTORS- SEE WIRE HARNESS ROUTING DETAIL

**STEP 5** NOTE: USE AA ALKALINE BATTERIES ONLY

PUT BATTERIES INTO BATTERY HOLDER THEN PUT HOLDER INTO THE COVER. ATTACH BATTERY CONNECTOR TO THE PCB. SLIDE BOTTOM TAB OF BATTERY COVER IN TAB SLOT AND ATTACH WITH THE SUPPLIED 2 SCREWS.

**STEP 6**

PLACE BACK COVER ON AND SECURE WITH COLLAR (USING THE SUPPLIED SPANNER WRENCH) THEN SCREW IN THE TOP SCREW

**STEP 7**

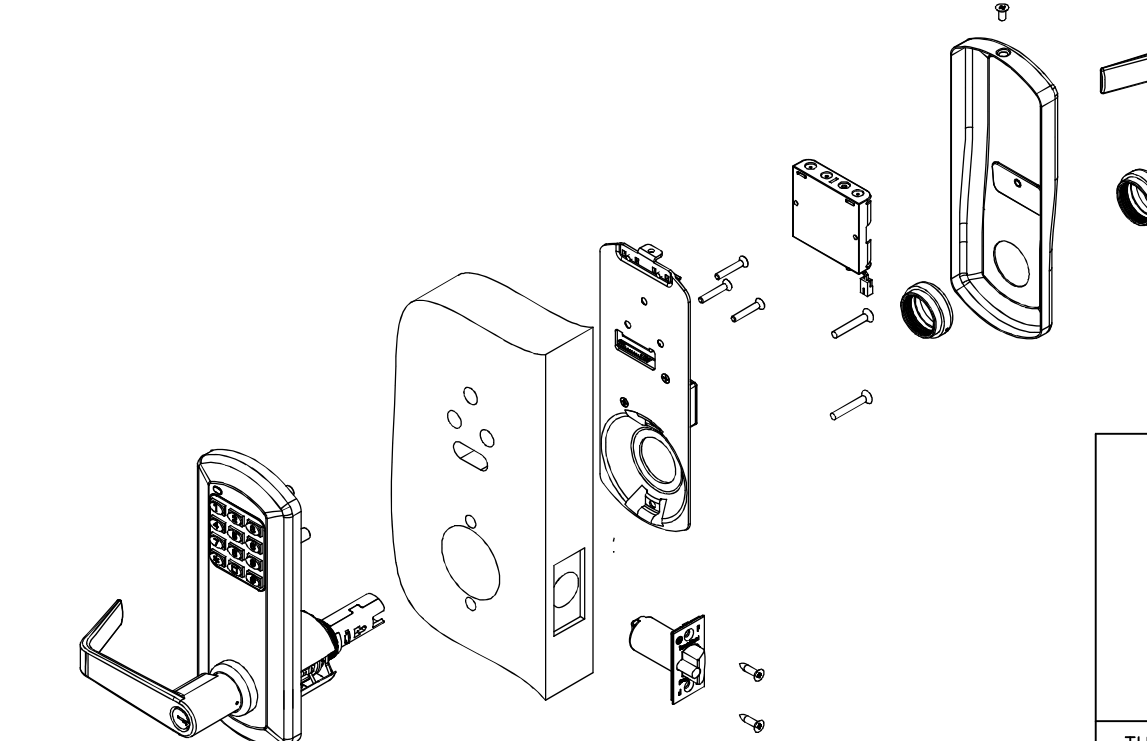
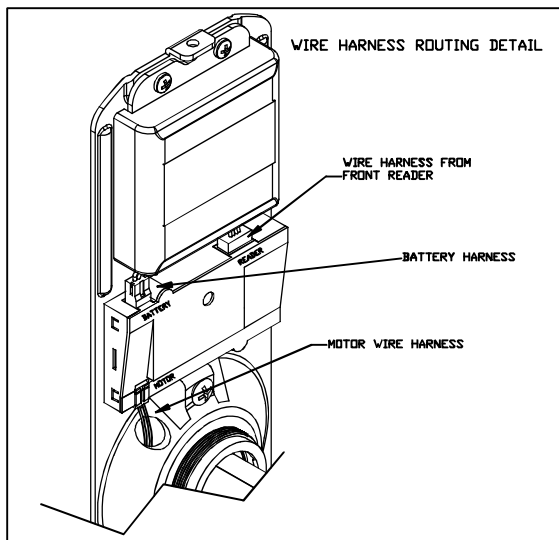
PUT INNER LEVER ON- ENSURE LEVER IS SEATED AND IS LOCKED IN PLACE. NOTE: CHECK LOCK FOR CORRECT OPERATION BEFORE LOCKING OR CLOSING THE DOOR.

**REMOVING OUTSIDE LEVER**

REMOVING OUTER LEVER: ENSURE UNIT IS LOCKED, ROTATE KEY APPROXIMATELY 70°. INSERT TOOL INTO LEVER CATCH HOLE & PUSH BACK LEVER CATCH. REMOVE LEVER. FOLLOW THE SAME STEPS IN REVERSE ORDER TO PUT THE LEVER BACK ON.

**REMOVING INSIDE LEVER**

REMOVING INNER LEVER: INSERT TOOL INTO LEVER CATCH HOLE & PUSH BACK LEVER CATCH. REMOVE LEVER.



<p><b>TownSteel</b></p> <p>17901 RAILROAD STREET CITY OF INDUSTRY, CA 91748</p>	DRAFT UNLESS OTHERWISE SPECIFIED: 1° MAX	<p><b>B</b></p>	TOLERANCES UNLESS OTHERWISE SPECIFIED: X.X (METRIC) = ±0.4 X.XX (METRIC) = ±0.15 FRACTIONS = ±.8 ANGLES = ±1/2° © .12 MACHINED SURFACES 125/	MATERIAL: NOTED
	DRAWN BY: SC		HEAT TREAT:	
	DATE: 6/11/14	THIRD ANGLE	TITLE: XCE INSTALLATION ASSY INSTRUCTIONS	
			PART#: XCE SERIES	

THIS DRAWING AND THE INFORMATION CONTAINED THEREON OR DERIVED THEREFROM ARE THE CONFIDENTIAL PROPERTY OF TOWNSTEEL, INC. IT IS NOT TO BE REPRODUCED, OR DISCLOSED TO OTHERS, AND MAY BE USED ONLY FOR THE PURPOSE OF ENABLING THE PARTY TO WHOM IT HAS BEEN LOANED TO QUOTE ON OR FILL AN ORDER FOR TOWNSTEEL, INC., OR AS MAY BE OTHERWISE AUTHORIZED BY TOWNSTEEL, INC. IN WRITING.