



Scroll to next page for a printable pdf document.



For Smartphone-friendly version, [tap or click here.](#)



931004-00

996L, 996L-BE Trim QM Retrofit

VON DUPRIN®

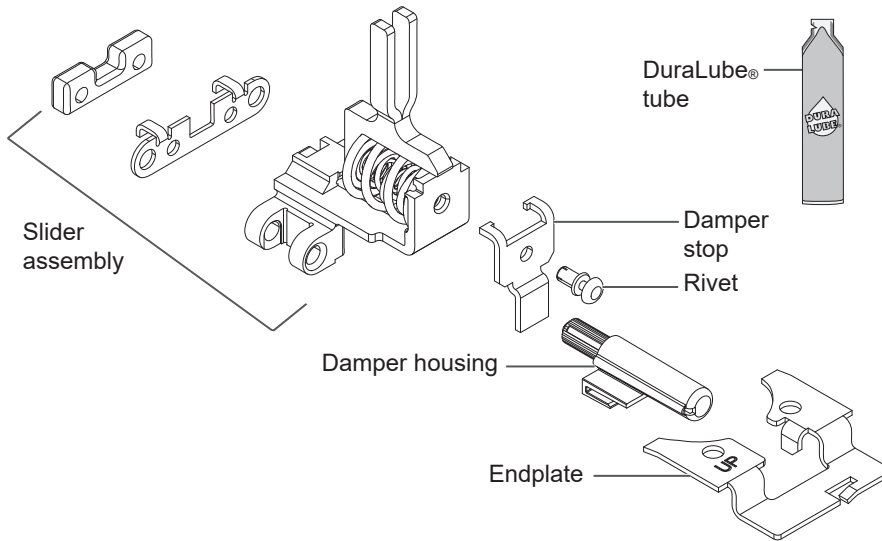
QM Retrofit Kit

Installation Instructions

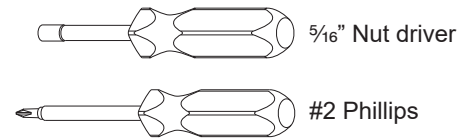


1. This kit upgrades 996L and 996L-BE trims.
2. Install according to instructions or device will not function and panic label will be void.
3. For optimal quiet performance of your opening, use the Von Duprin QM option along with a properly adjusted door closer and door silencers.

Parts



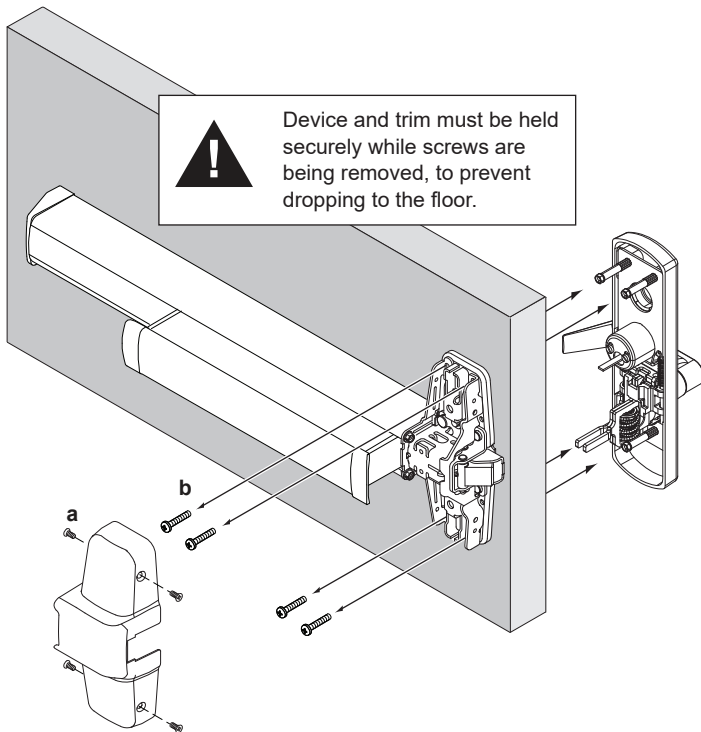
Tools



Scan QR code for online instructions.



1 Remove center case cover and remove trim from door.

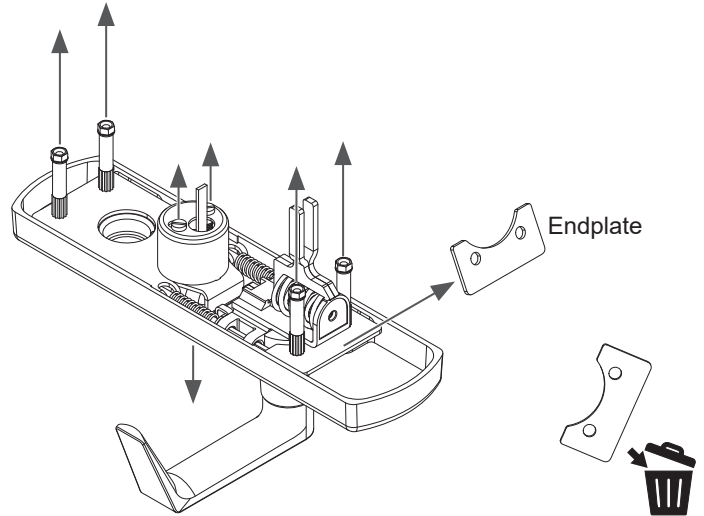


996L trim shown (with cylinder).

996L-BE trim does not include cylinder.)

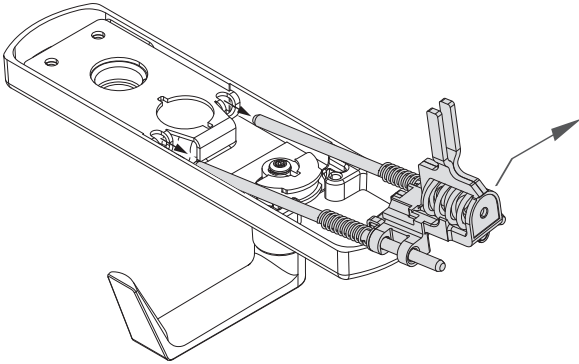
2 Remove mounting studs, cylinder (if applicable) and endplate from trim.

- Keep mounting studs and cylinder (if applicable) for reinstallation.
- **Discard endplate.**



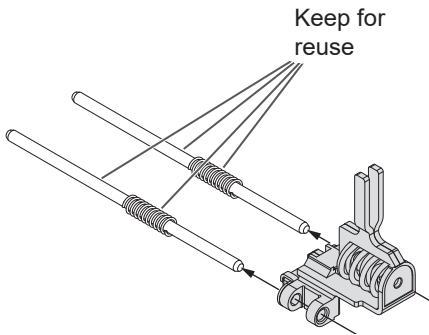
3 Replace the slider assembly.

3a Remove existing slider assembly including posts and springs.



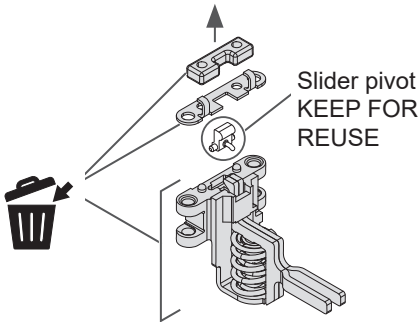
3b Remove posts and springs from existing slider assembly.

- Keep posts and springs.



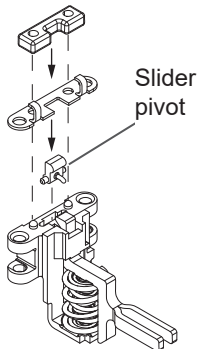
3c Disassemble existing slider assembly.

- Keep slider pivot.
- **Discard remaining slider assembly parts.**

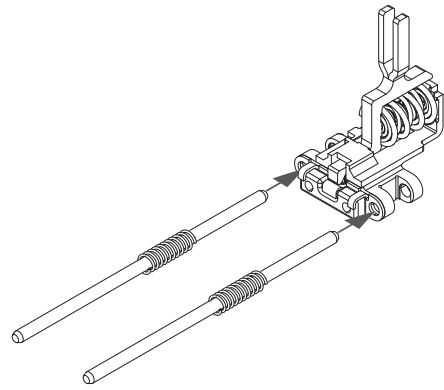


3d Assemble new slider.

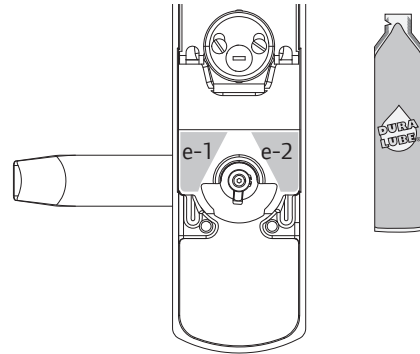
- **Important! Assemble using the old slider pivot.**



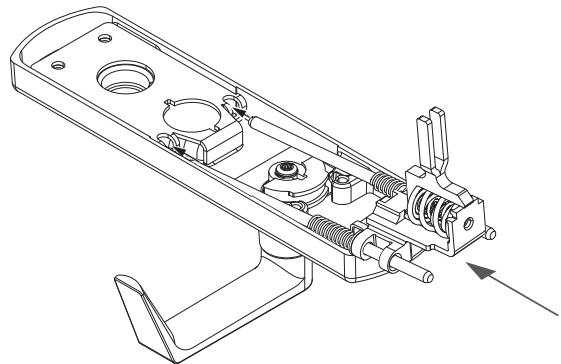
3e Assemble posts and springs on new slider assembly.



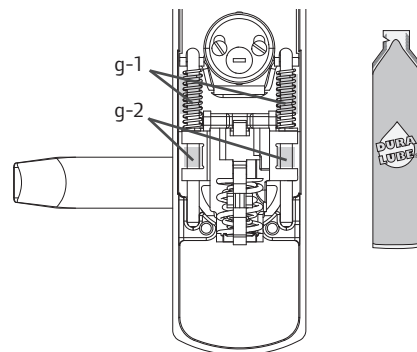
3f Using tube of grease provided, apply grease to interior of trim case (e-1 and e-2).



3g Install new slider assembly with posts and springs into trim.

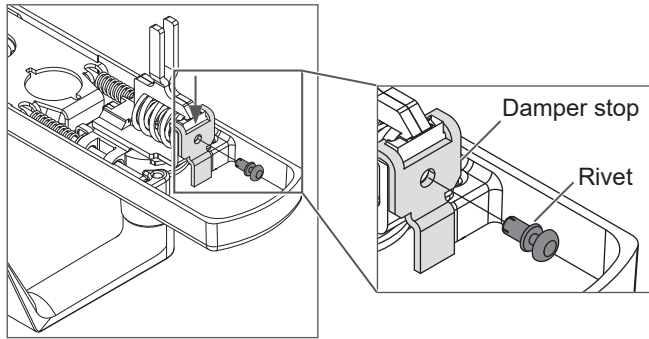


3h Using tube of grease provided, apply grease to posts and springs (g-1 and g-2).

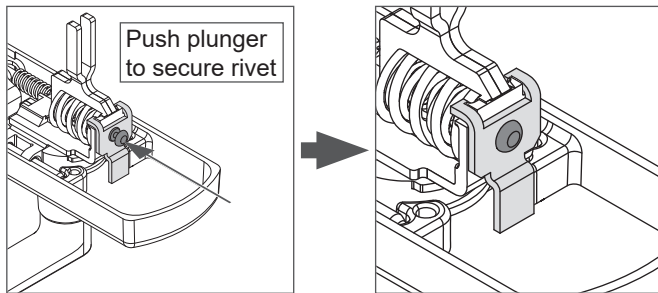


4 Attach damper stop to slider.

4a Place damper stop and rivet onto end of slider.

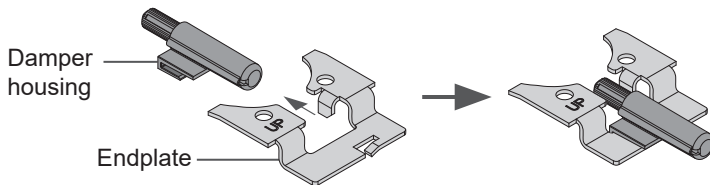


4b Secure damper stop with rivet.



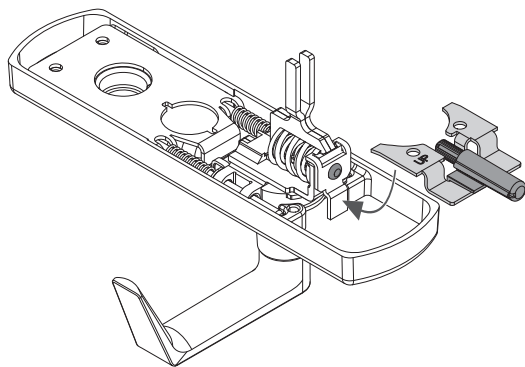
5 Assemble damper housing and endplate.

Connect the base of the endplate with the slot on the damper housing.

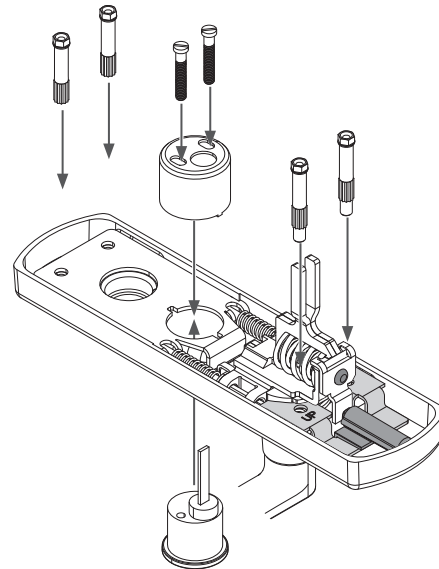


Be sure to assemble endplate in orientation as shown.

6 Place damper assembly into the trim.



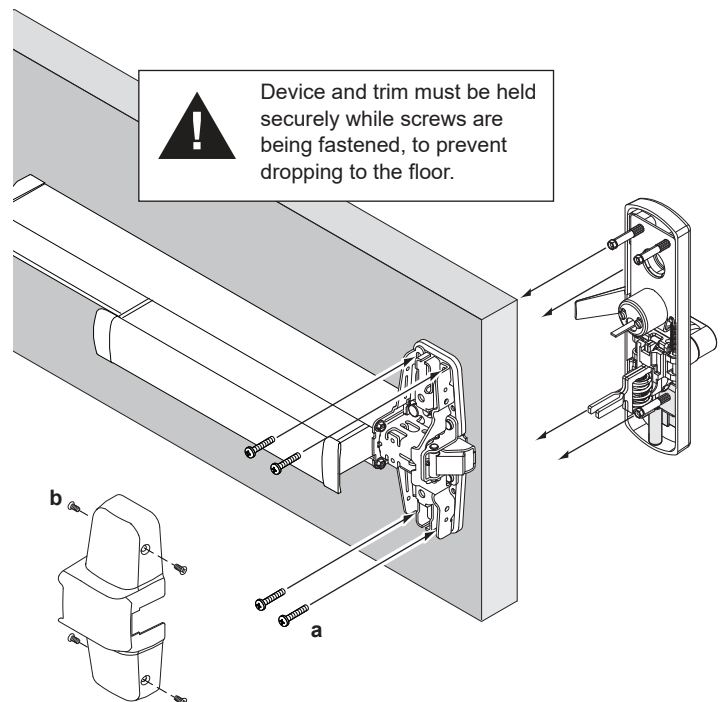
7 Attach mounting studs and reinstall cylinder (if applicable).



8 Rotate the lever to confirm correct operation.

The lever should operate smoothly and return to neutral position.

9 Attach trim to door and replace center case cover.



For more detailed installation instructions for specific exit devices, visit the Support area of the Allegion website at www.allegion.com/us.

Customer Service

1-877-671-7011 www.allegion.com/us



© Allegion 2018
Printed in U.S.A.
931004-00 Rev. 07/18-c