



911402-00

33/35A Series

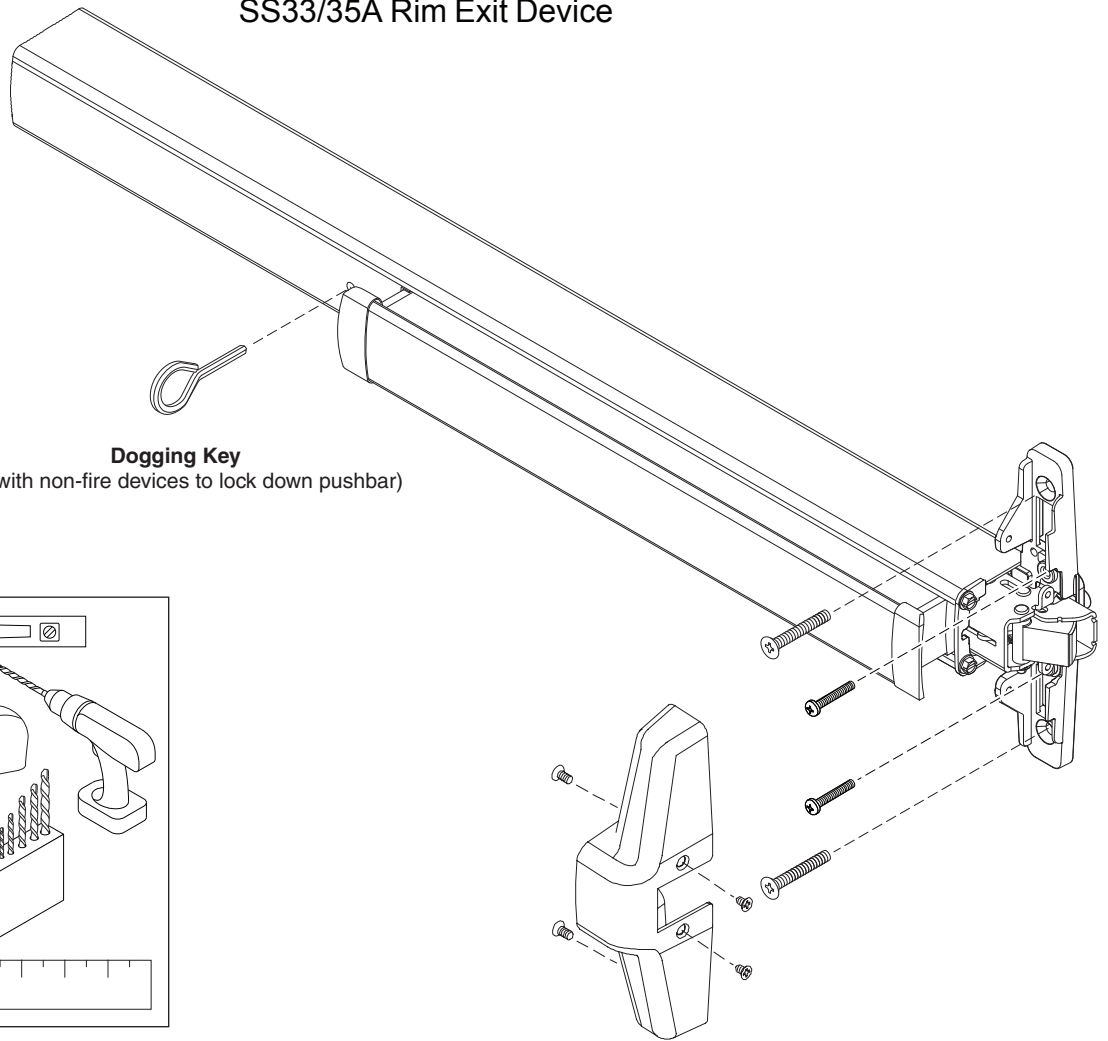
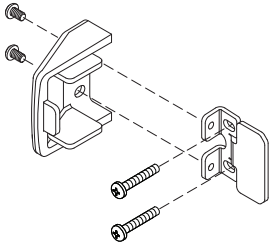
VON DUPRIN®

Rim Exit Device

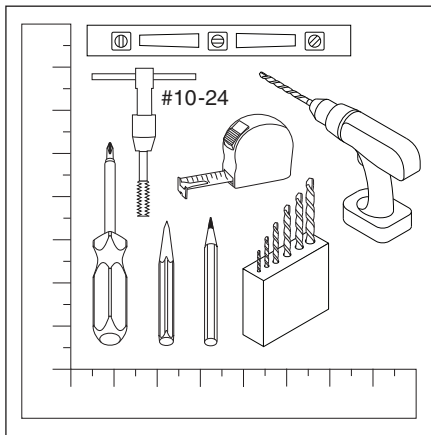
Installation Instructions

Devices covered by these instructions:

- 33/35A Rim Exit Device
- 33/35A-F Rim Exit Device
- CD33/35A Rim Exit Device
- EL33/35A Rim Exit Device
- SS33/35A Rim Exit Device



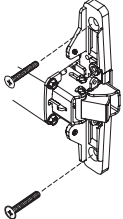
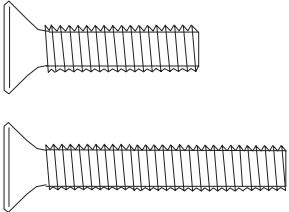
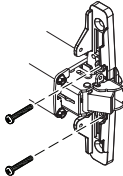
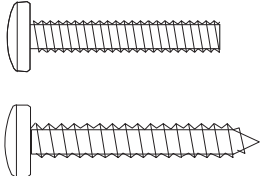
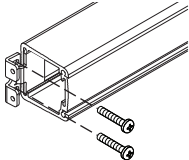
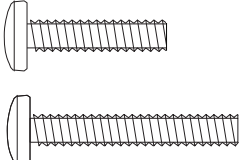
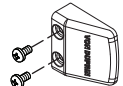
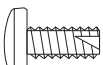
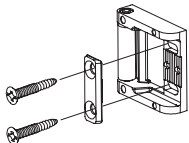
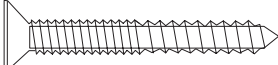
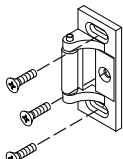
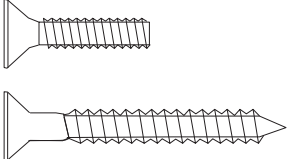
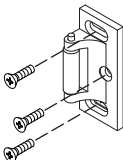
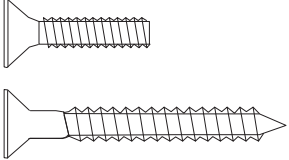
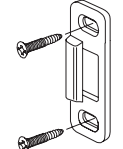
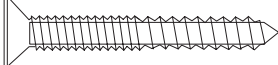
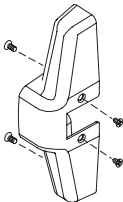

Dogging Key
(use with non-fire devices to lock down pushbar)



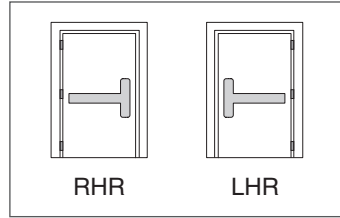
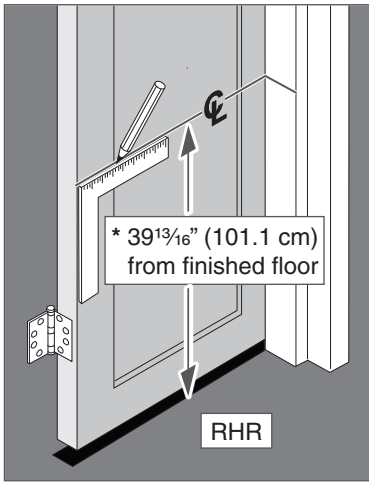
Customer Service
 1-877-671-7011 www.allegion.com/us

© Allegion 2016
 Printed in U.S.A.
 911402-00 Rev. 05/16-d

SCREW CHART

Subassembly	Screw	Application
A 		Trim mount or sex bolts: 1 3/4" (44 mm) door 2 1/4" (57 mm) door
B 		Metal door surface mount (Yellow) Wood door surface mount
C 		Surface mount or Sex bolts 1 3/4" (44 mm) door Sex bolts, 2 1/4" (57 mm) door
D 		End cap
E 		Metal or wood frame
F 		Metal frame Wood frame
G 		Metal frame Wood frame
H 		Metal or wood frame
I 		Center case cover

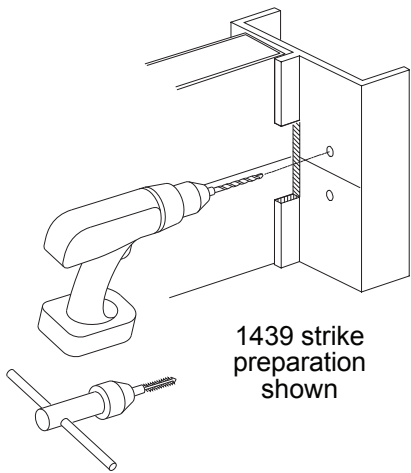
1 Draw horizontal device and strike center lines (☉).



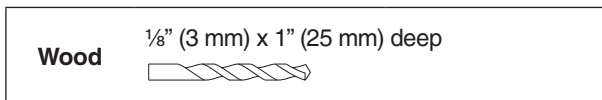
* For double doors with a mullion and strike already installed, use existing strike center line.

2 Prepare frame for strike using paper templates.

i See pages 8 through 12 for strike templates and frame preparation dimensions.



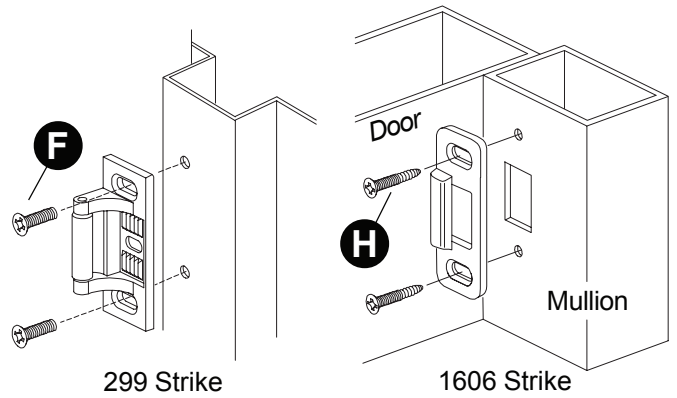
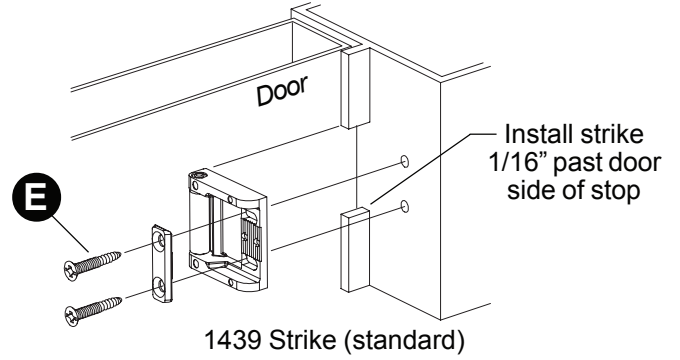
OR



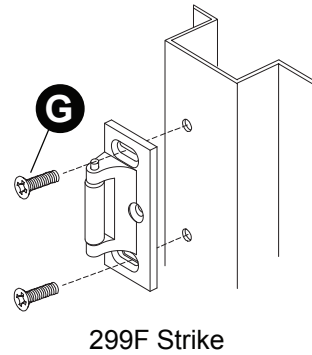
i See "Screw Chart" on previous page for screw types and sizes.

3 Install strike using two screws only at this time.

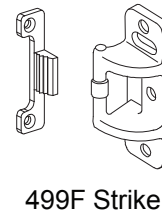
Panic Device



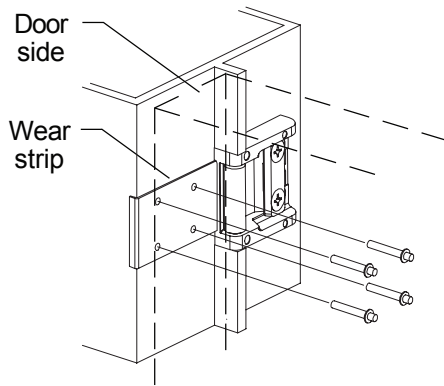
Fire Rated Device



i For 499F strike installation, see page 6.



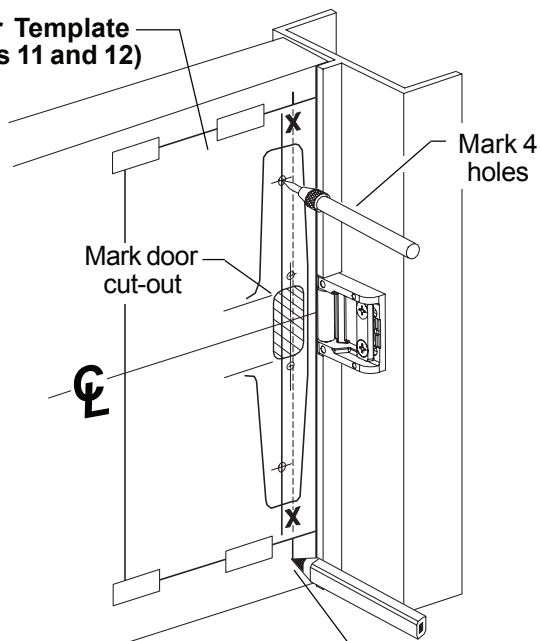
4 If using a 1439 strike, install wear strip. If not, go to step 5.



- A. Center wear strip on strike as shown.
- B. Mark and drill 1/8" dia. holes (4 places).
- C. Install wear strip with flat head drive rivets (4 places) from 1439 strike package.

5 Tape template to door and mark door.

Paper Template (pages 11 and 12)

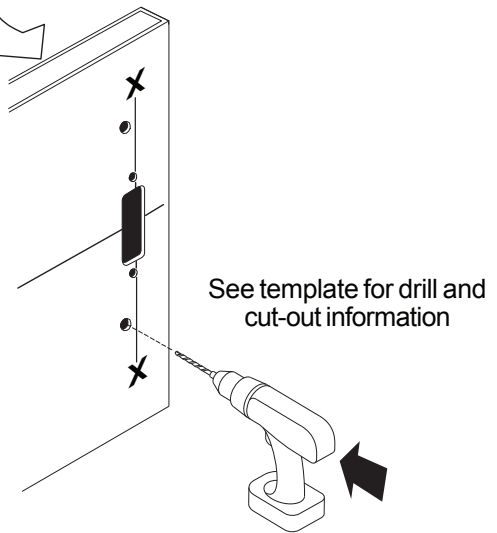


Mark vertical line **X-X** for trim alignment

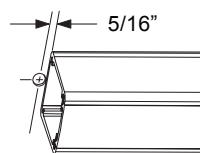
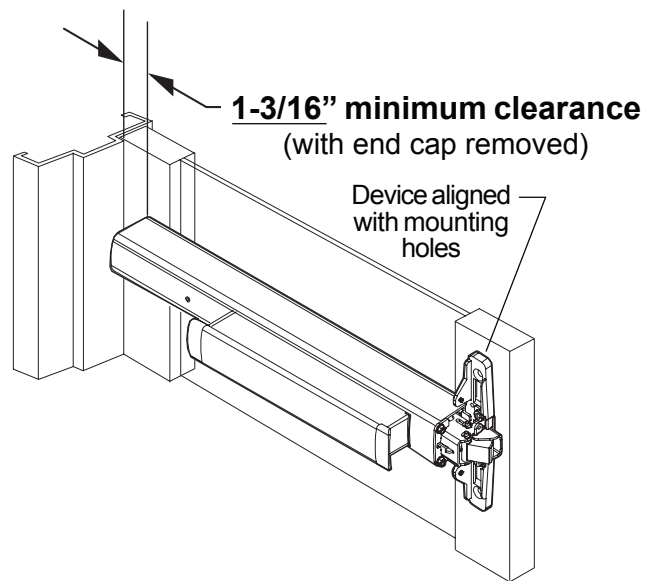
Note: Line X-X is a reference line on the paper template used for trim and exit device alignment. Line X-X shown here should correspond to line X-X in the trim installation instructions

6 Prepare lock side of door for device and trim.

See trim instructions for pull side door preparation.



7 Measure to determine length to cut device.

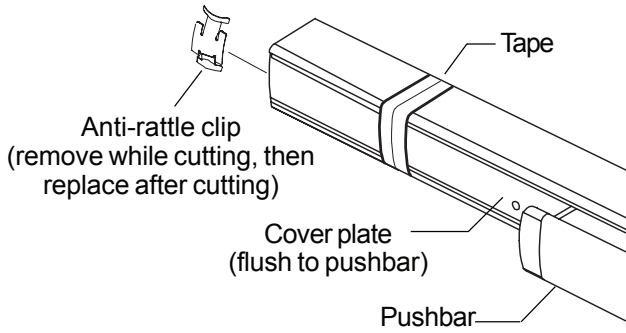


Note

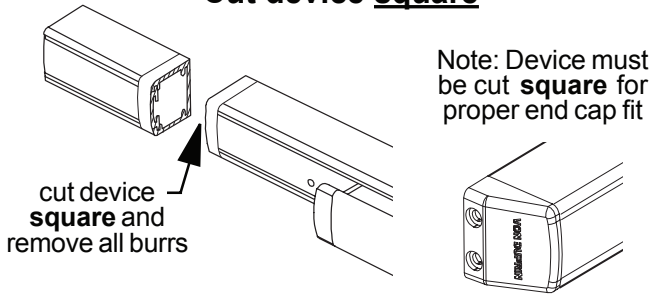
If 5/8" diameter wire access hole has been predrilled in door, cut device 5/16" from center of hole.

8 If necessary, cut device.

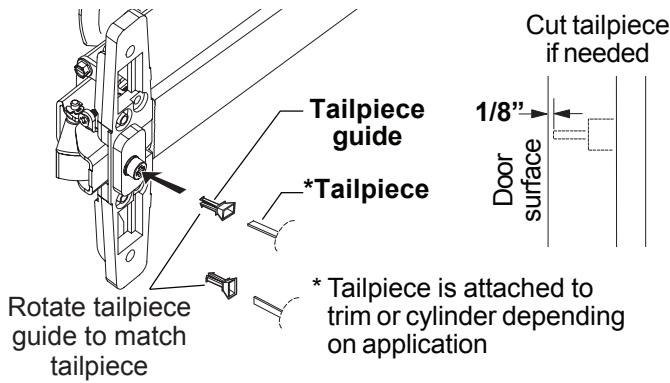
Prepare device for cutting



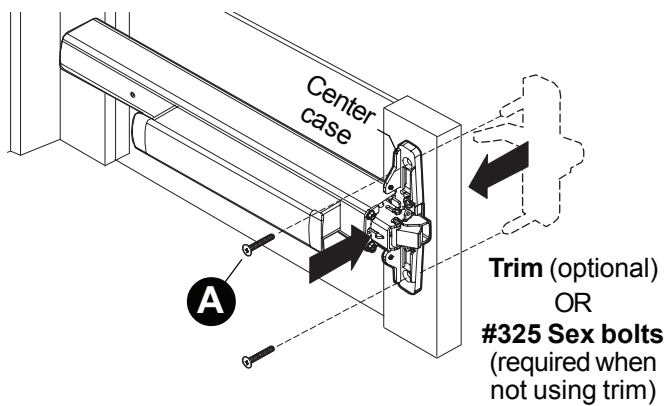
Cut device square



9 If using a cylinder with a tailpiece, prepare device and cylinder.

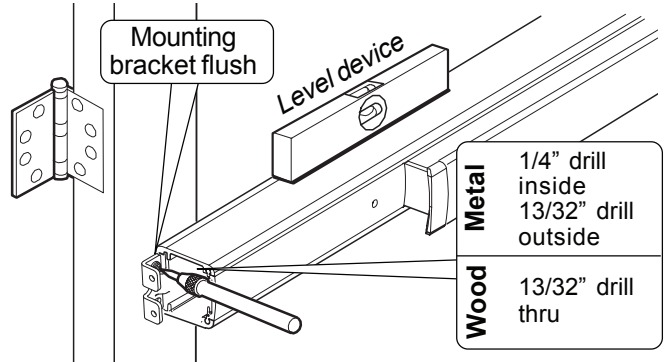


10 Attach center case to door.

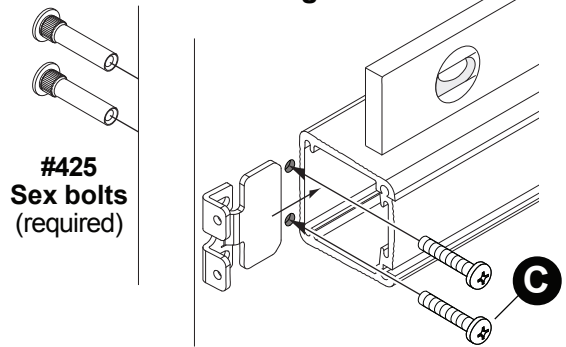


11 Install hinge stile mounting bracket.

Mark and prepare 2 mounting holes

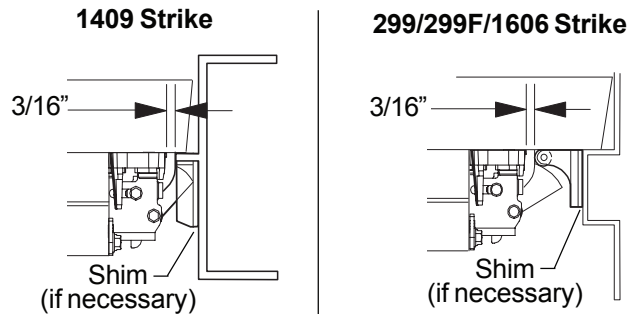


Secure mounting bracket

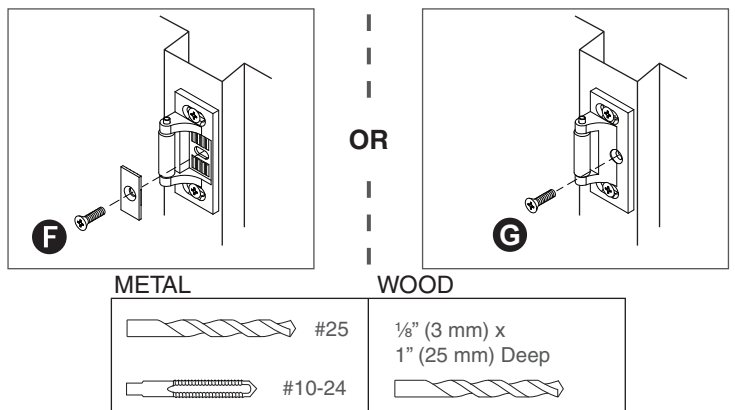


12 Adjust strike as needed.

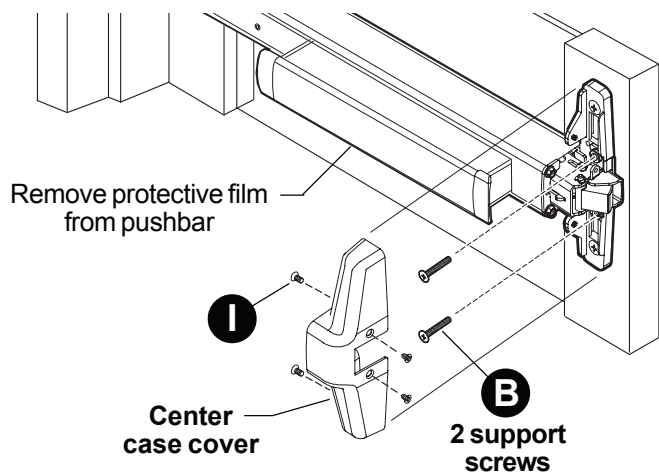
Shim strike for 3/16" clearance to chassis



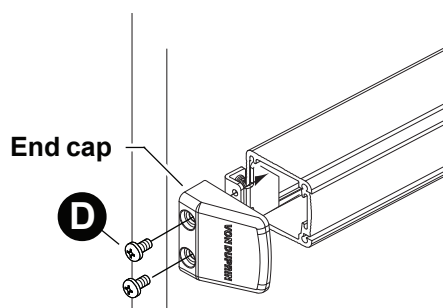
13 Install strike support screw.



14 Install 2 support screws and center case cover

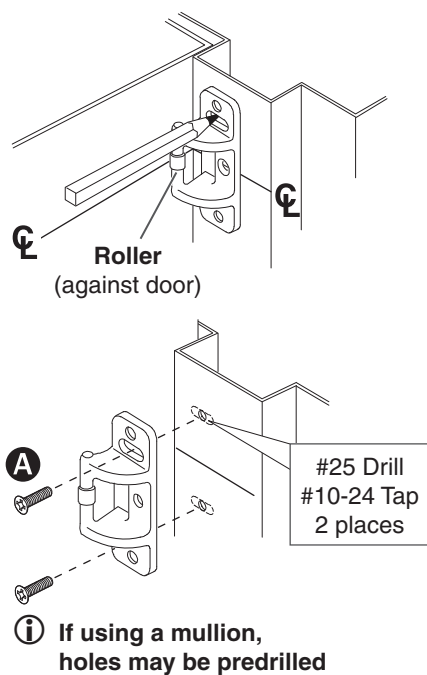


15 Install 2 support screws and center case cover

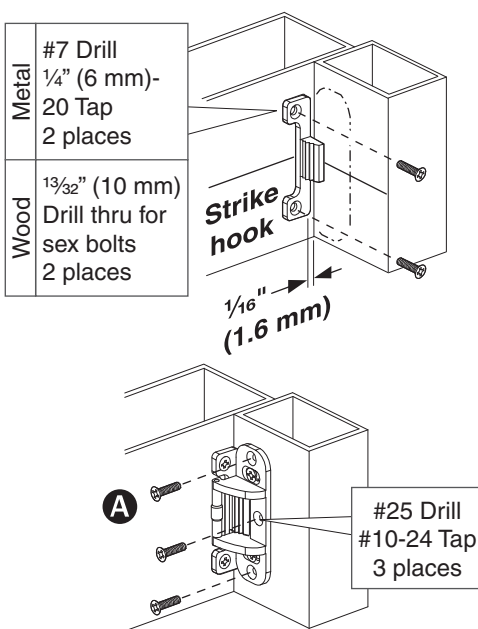


499F STRIKE INSTALLATION

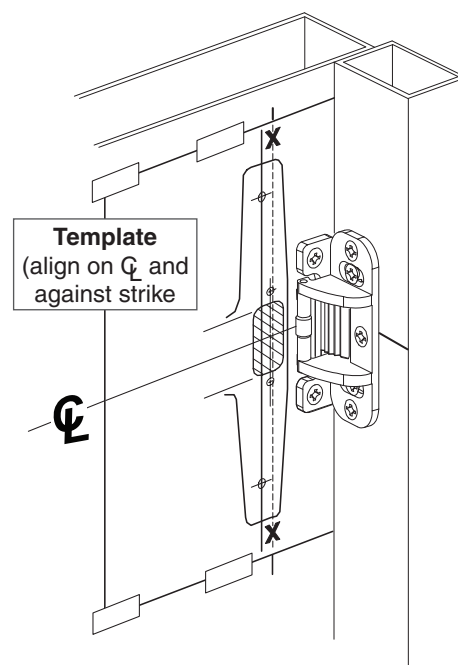
1. Prepare and install screws through two strike slots.



2. Install strike hook and additional strike screws.

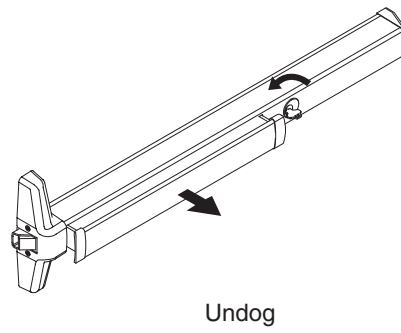
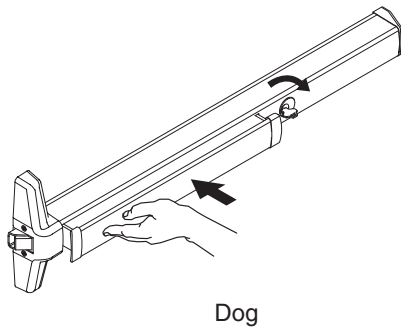
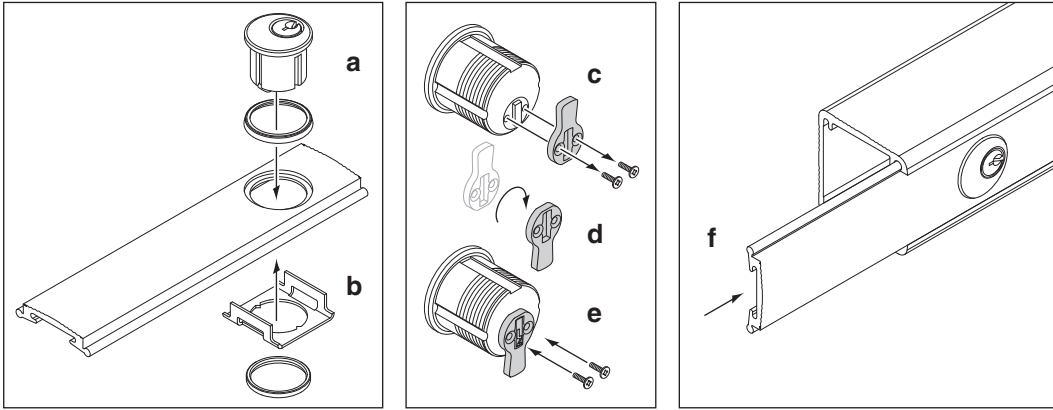


3. Template aligns as shown.

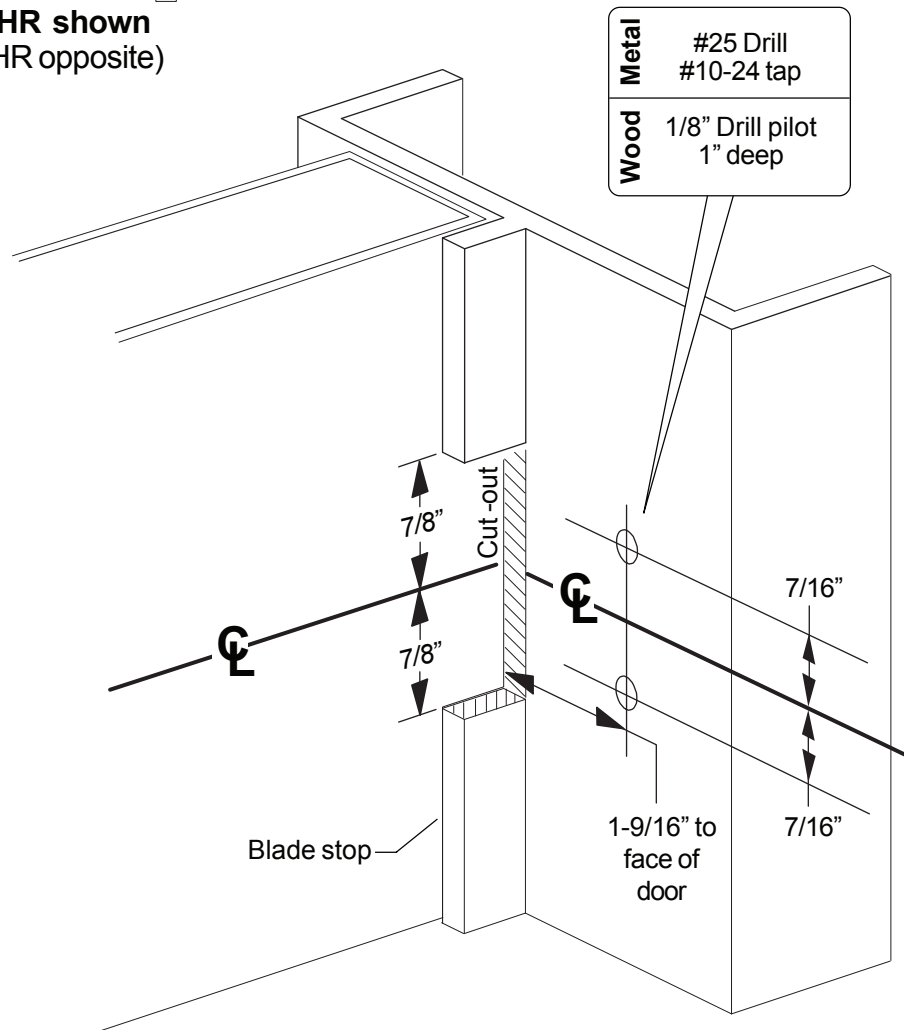
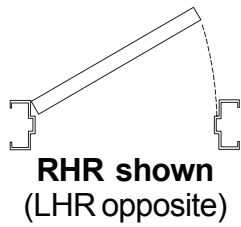
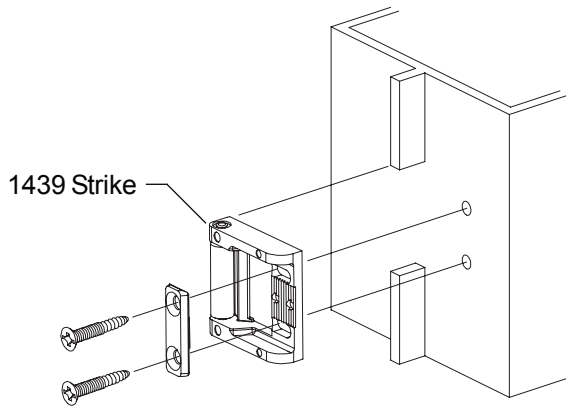


OPTIONAL EQUIPMENT

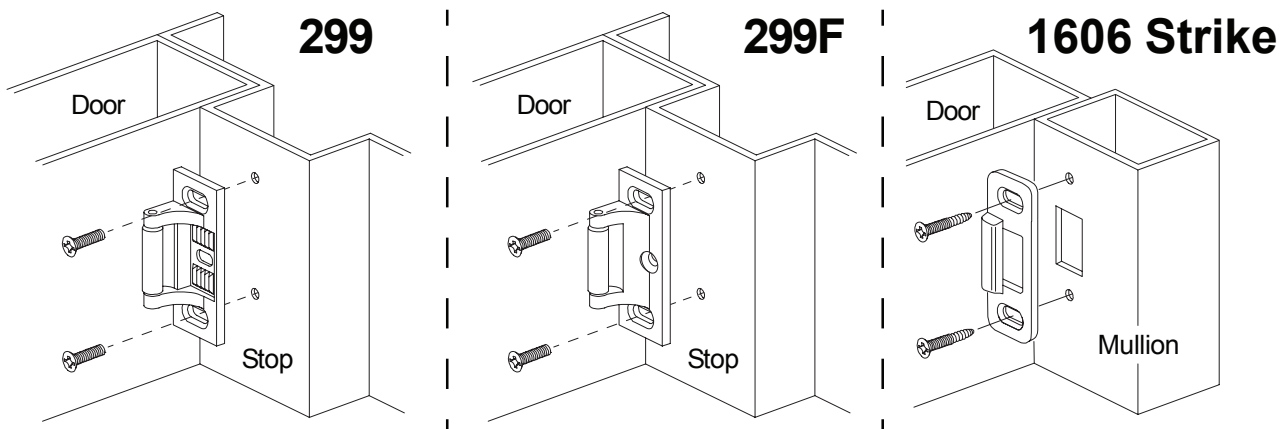
CD (Cylinder Dogging) Option



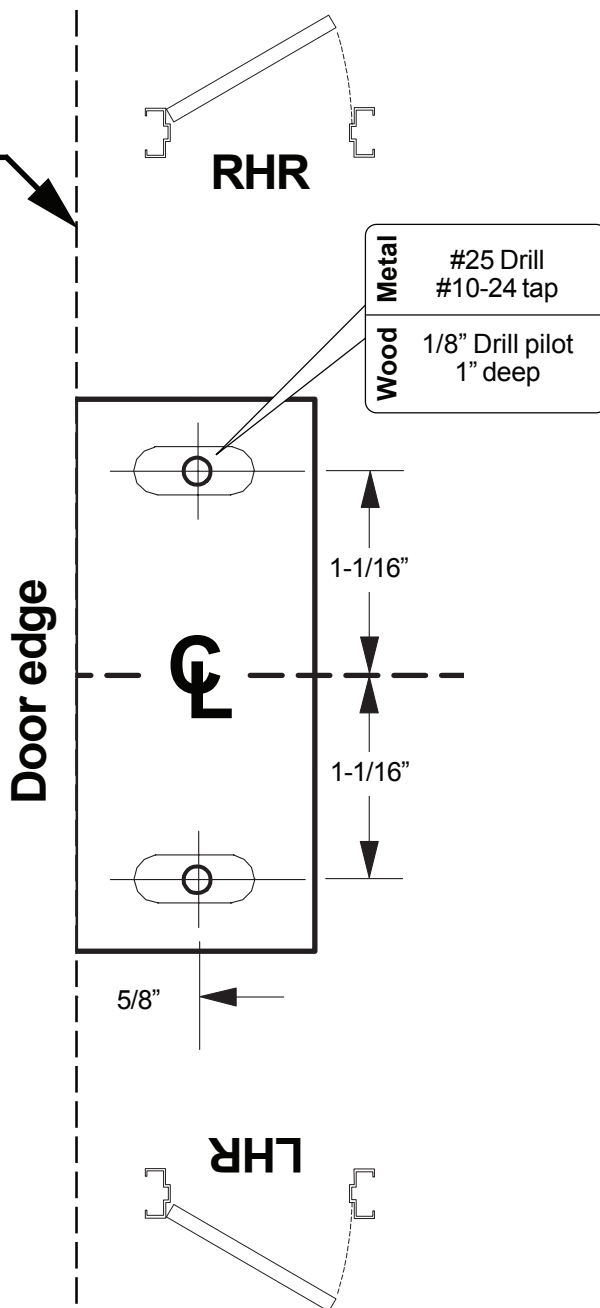
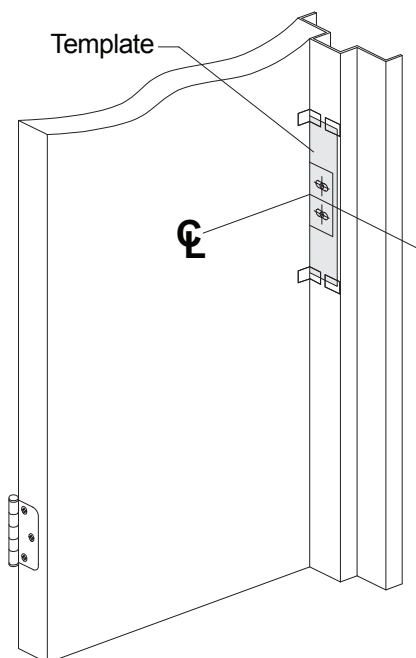
1439 Strike Frame Preparation



299/299F/1606 Strike Template



Cut paper along this line and place on door stop against edge of door (see picture below)

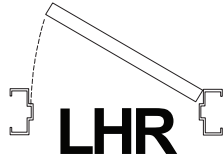


This page
intentionally
left blank

33/35A Rim device Template

Line X-X is a reference line for trim and exit device alignment.
Line X-X shown here should correspond to line X-X in the trim installation instructions

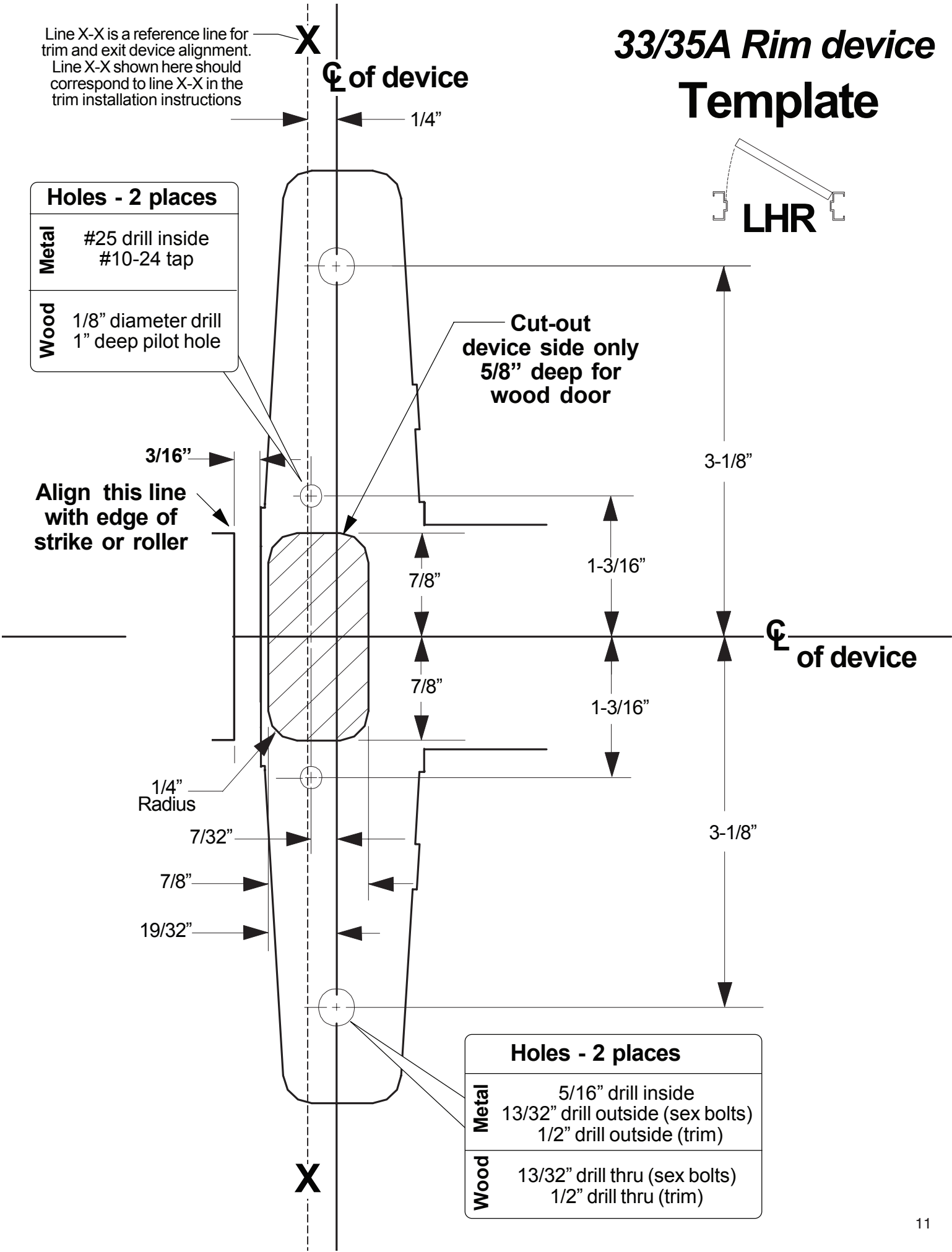
X
C of device



Holes - 2 places	
Metal	#25 drill inside #10-24 tap
Wood	1/8" diameter drill 1" deep pilot hole

Cut-out device side only
5/8" deep for wood door

3/16"
Align this line with edge of strike or roller



Holes - 2 places	
Metal	5/16" drill inside 13/32" drill outside (sex bolts) 1/2" drill outside (trim)
Wood	13/32" drill thru (sex bolts) 1/2" drill thru (trim)

33/35A Rim device Template

