



33/3547A

VON DUPRIN®

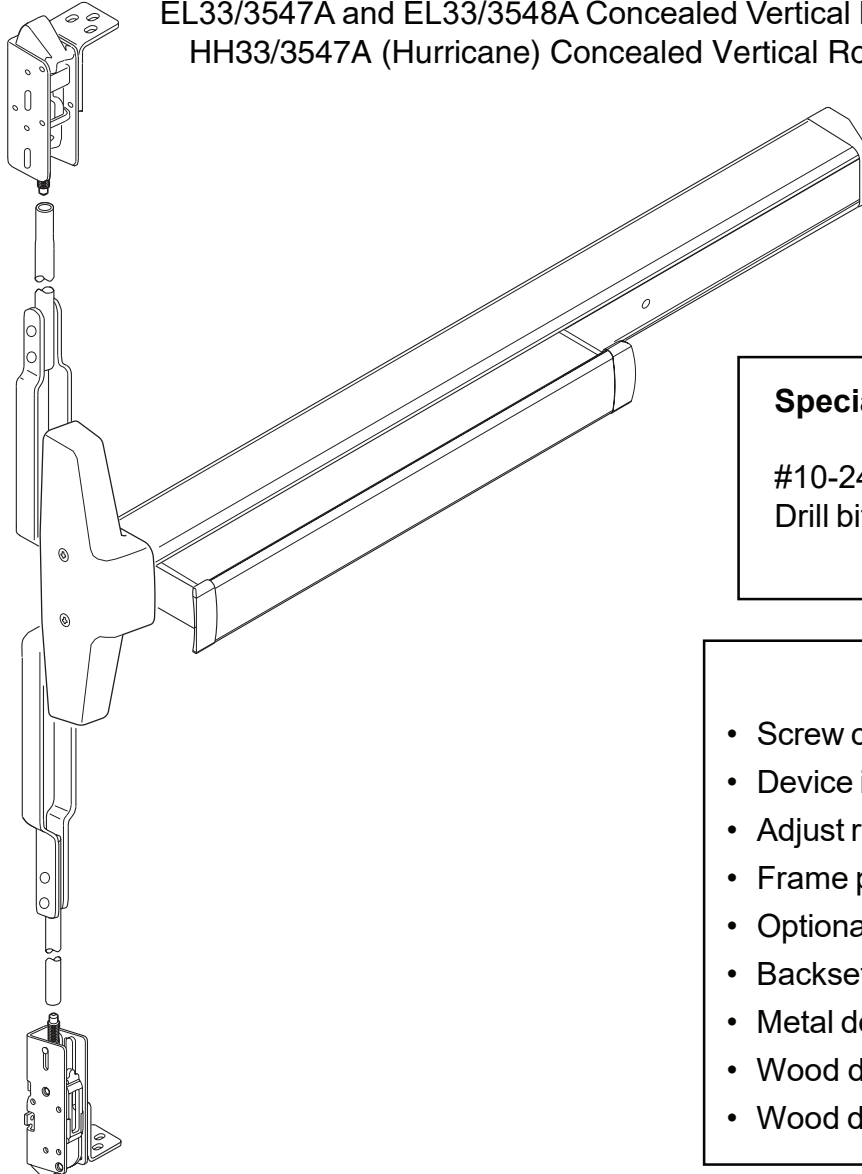
911404-00

Concealed Vertical Rod Exit Device

Installation Instructions

Devices covered by these instructions:

- 33/3547A and 33/3548A Concealed Vertical Rod Exit Device
- 33/3547A-F and 33/3548A-F Fire Concealed Vertical Rod Exit Device
- CD33/3547A and CD33/3548A Concealed Vertical Rod Exit Device
- EL33/3547A and EL33/3548A Concealed Vertical Rod Exit Device
- HH33/3547A (Hurricane) Concealed Vertical Rod Exit Device



Special tools needed:

- #10-24 tap
- Drill bits: #25, 5/16",
13/32", 1/2"

Index:

- Screw chart 2
- Device installation 3-5
- Adjust rods 6
- Frame preparation 7
- Optional equipment 8
- Backset information 9
- Metal door templates 11-12
- Wood door preparation 13-14
- Wood door templates 15-16



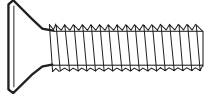
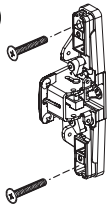
Customer Service

1-877-671-7011 www.allegion.com/us

© Allegion 2020
Printed in U.S.A.
911404-00 Rev. 05/20-g

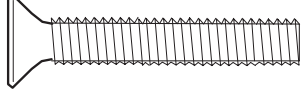
SCREW CHART

A



1/4-20 x 1" _____

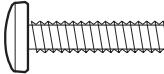
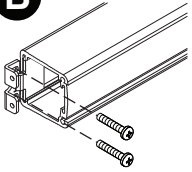
Trim mount or sex bolts:
(1-3/4" door)



1/4-20 x 1-1/2" _____

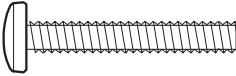
(2-1/4" door)

B



#10-24 X 3/4" _____

Surface mount or
Sex bolts (1-3/4" door)



#10-24 X 1-1/8" _____

Sex bolts (2-1/4" door)

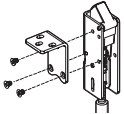
C



#10-16 X 3/8" Thread cutting _____

End cap

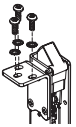
D



#10-32 X 1/4" _____

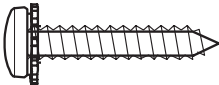
Bracket to latch

E



*#10-24 X 1/2" _____

Bracket to door



*#10 X 1" Wood screw _____

Bracket to door

*Used with external tooth lock washer

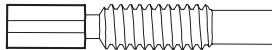
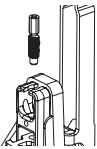
F



#10-32 X 3/8" Socket head _____

Rod attachment

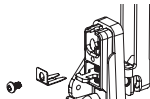
G



Rod adjusting screw _____

Rod length adjustment

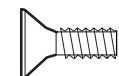
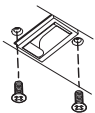
H



#8-32 X 5/16" _____

Retaining clip

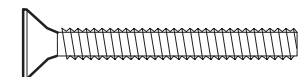
I



#10-24 X 1/2" _____

338 Strike

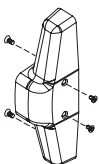
J



#10-24 X 1-1/2" _____

Ratchet release

K



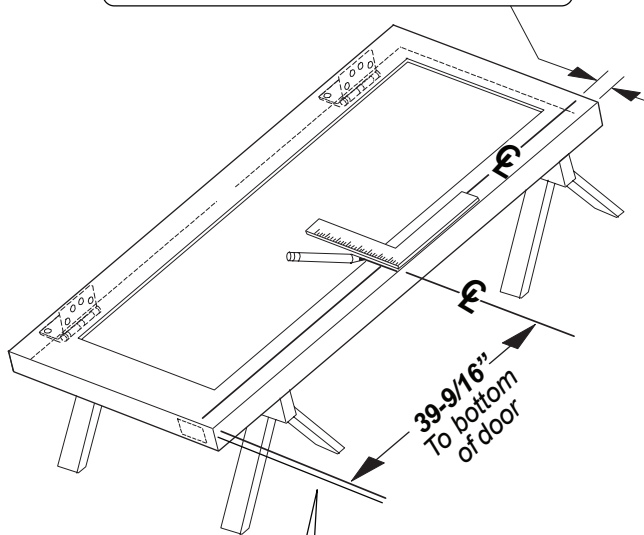
#8-18 x 3/8" Thread cutting _____

Center case cover

1

Draw horizontal and vertical device center lines (☉).

See "Backset information" on page 9



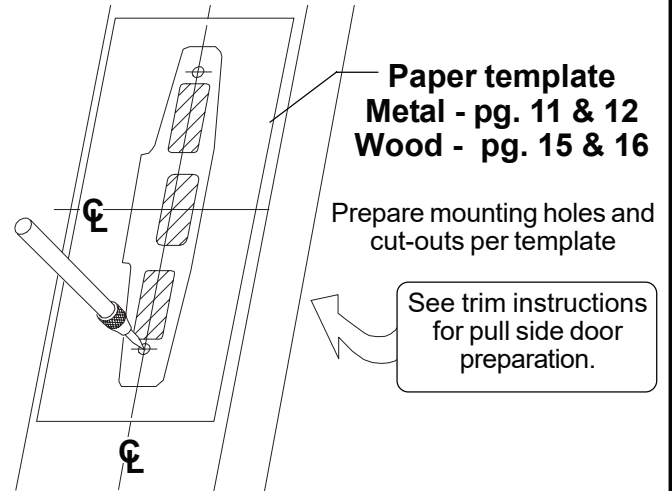
Once hung, door should have 1/4" undercut (gap) at bottom of door to finished floor

RHR shown
(LHR opposite)

2

Place paper device template on door and prepare door.

For wood doors - See pages 13 & 14 for special door preparation instructions.



Paper template
Metal - pg. 11 & 12
Wood - pg. 15 & 16

Prepare mounting holes and cut-outs per template

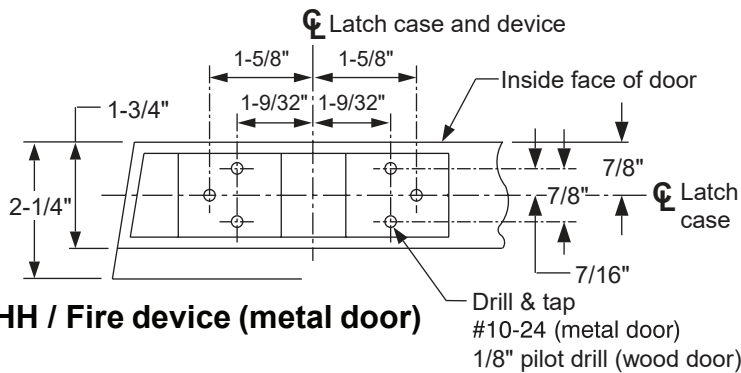
See trim instructions for pull side door preparation.

RHR shown
(LHR opposite)

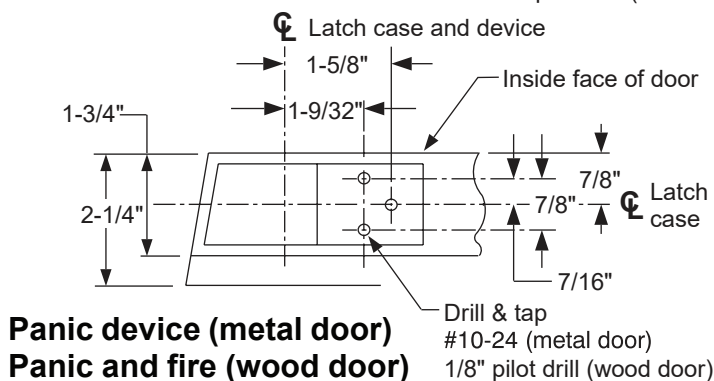
3

Prepare top and bottom of door for latch mounting brackets.

Latch cases (drill top and bottom of door)



HH / Fire device (metal door)

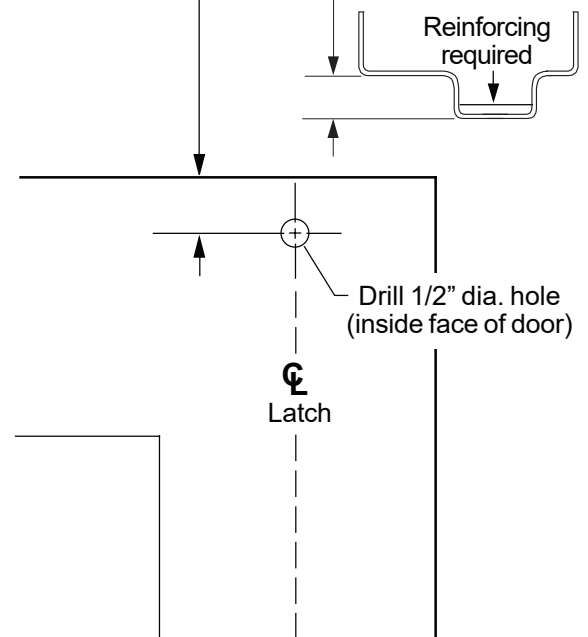


Panic device (metal door)
Panic and fire (wood door)

4

Drill ratchet release hole in door.

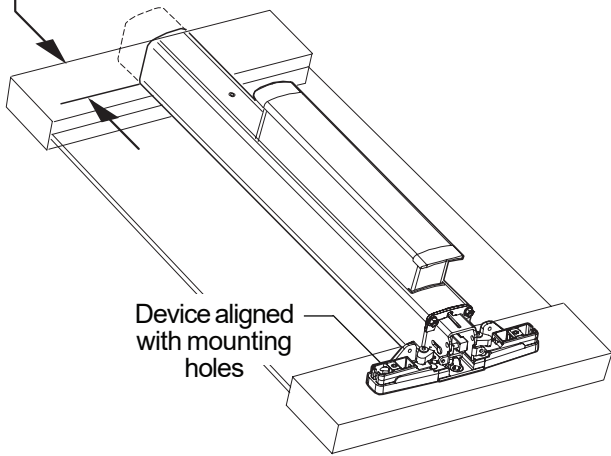
11/16"	1/2" Stop height
13/16"	5/8" Stop height
15/16"	3/4" Stop height



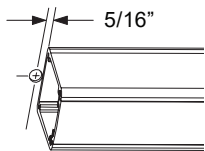
5

Measure to determine length to cut device.

1-3/16" minimum clearance
(with end cap removed)



Device aligned
with mounting
holes



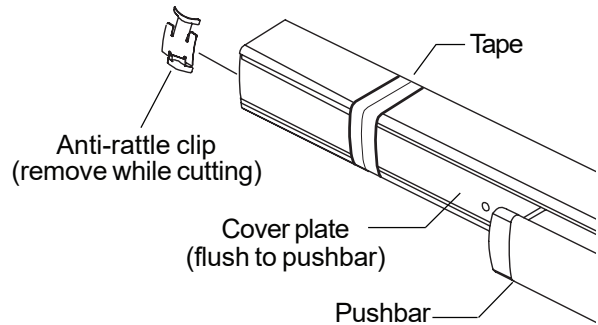
Note

If 5/8" diameter wire access hole has been predrilled in door, cut device 5/16" from center of hole.

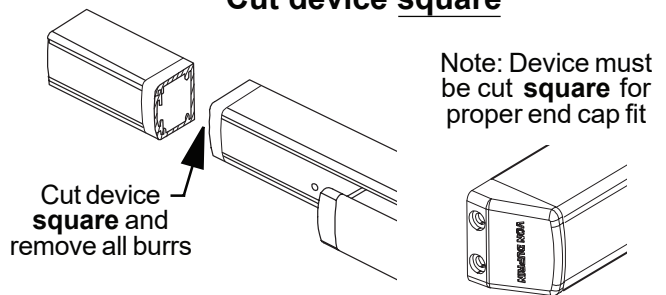
6

Cut device to length.

Prepare device for cutting



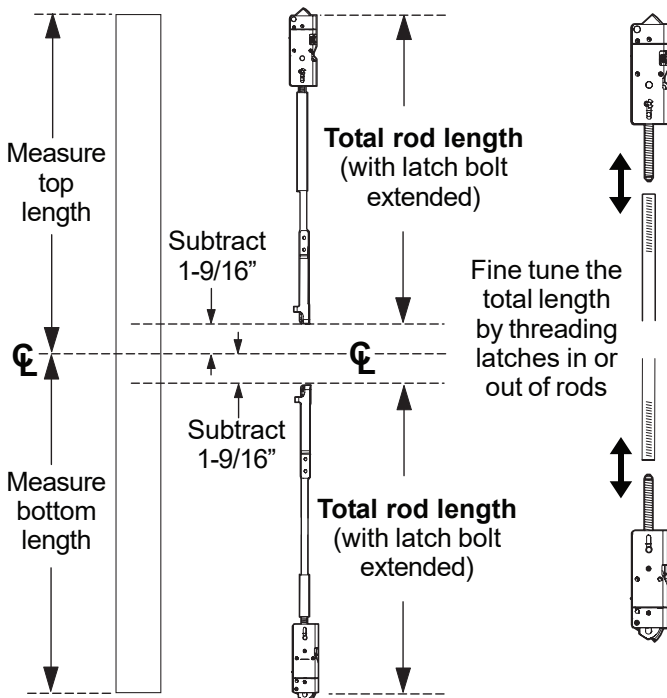
Cut device square



7

Assemble rods and latches and adjust length.

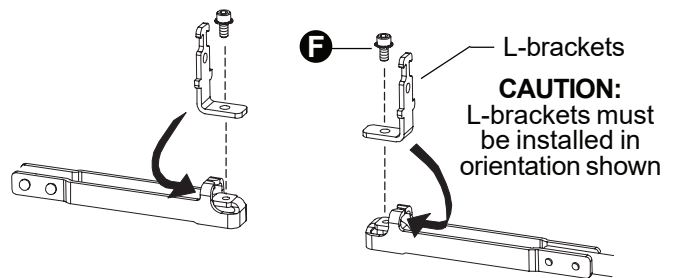
Follow white and brown instruction cards on rods to set initial rod length



8

Install rods as shown.

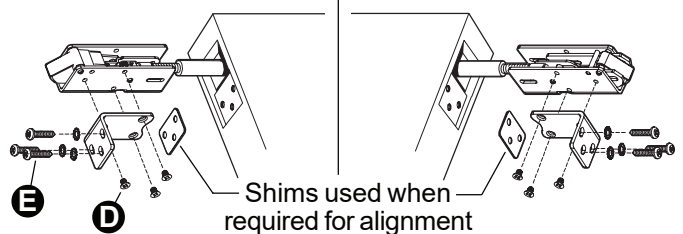
Rods are shipped with L-bracket attached. Insert rods with L-bracket pointing toward lock stile. Rotate rod until L-bracket protrudes through door cutout. If this is not possible, remove L-bracket and re-insert rod, then re-attach L-brackets.



NOTE: Fire/HH devices on metal doors use brackets on both sides of latches

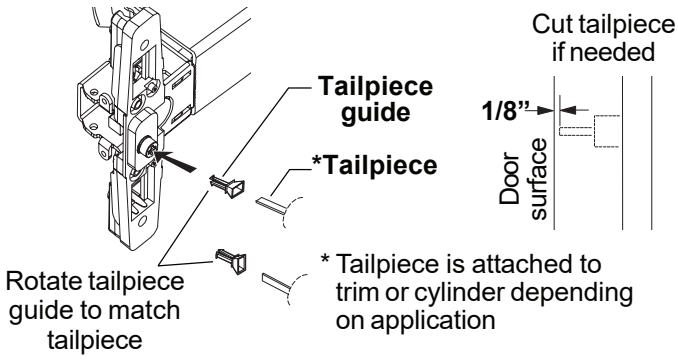
Top latch & rod

Bottom latch & rod

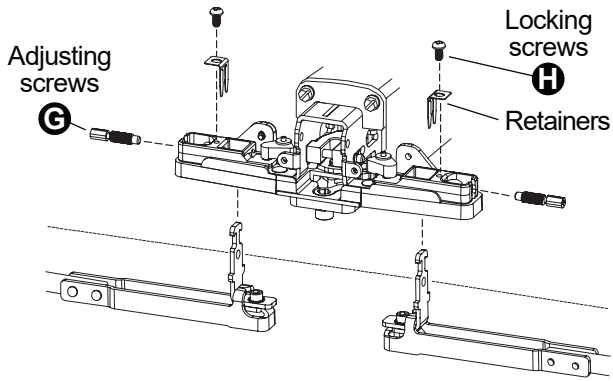


9

Install tailpiece guide and attach rods to center case.

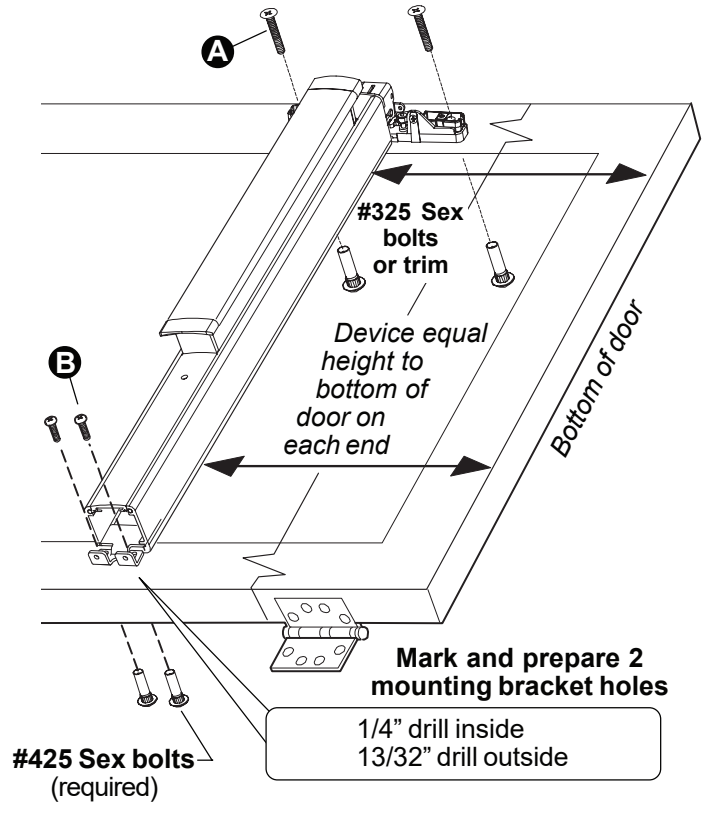


Place device over L-brackets and install adjusting screws, then install retainers and locking screws



10

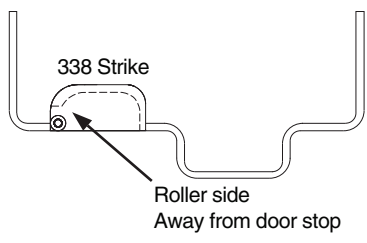
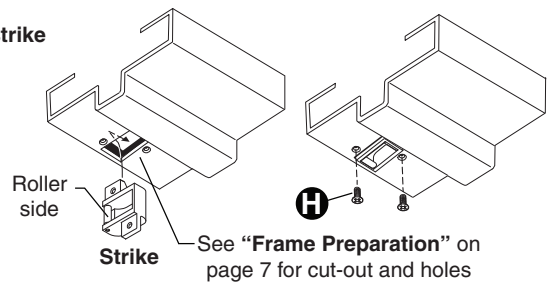
Secure device to door and mount door to frame.



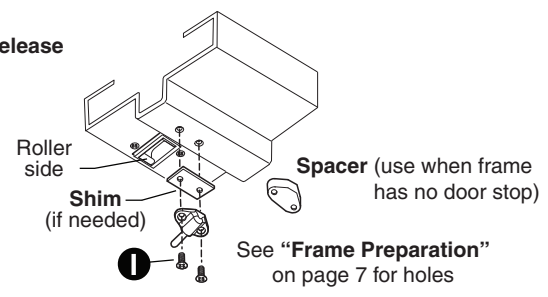
11

Install top strike and ratchet release.

338 Top strike



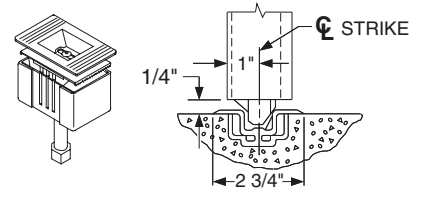
Ratchet release



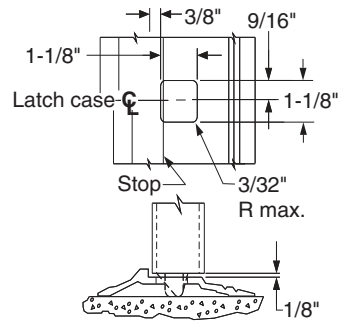
12

Install bottom strike or prepare threshold.

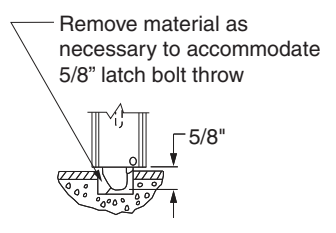
385-A bottom strike has two pieces. Grout bottom piece into floor and attach top piece to bottom with screw through slot.



Threshold application

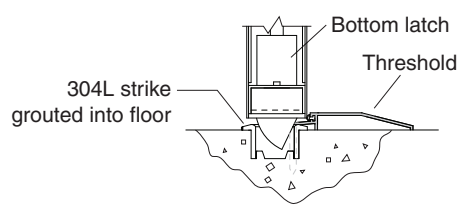


Flat threshold application



Note: Thresholds are not to be used with 33/3547A-F.

Hurricane applications use threshold with 304L bottom strike



ADJUST RODS

1. Open door and release top latch bolt as shown (Figure 1).

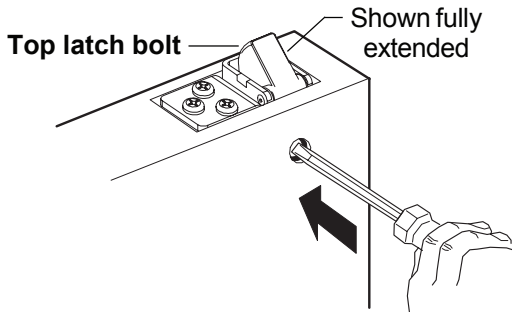


Figure 1

2. Remove bottom locking screw and retaining clip (Figure 2).
3. Disconnect bottom vertical rod by removing bottom adjusting screw.
4. Loosen top locking screw.
5. Rotate top adjusting screw clockwise until top latch bolt is fully extended (Figure 1).

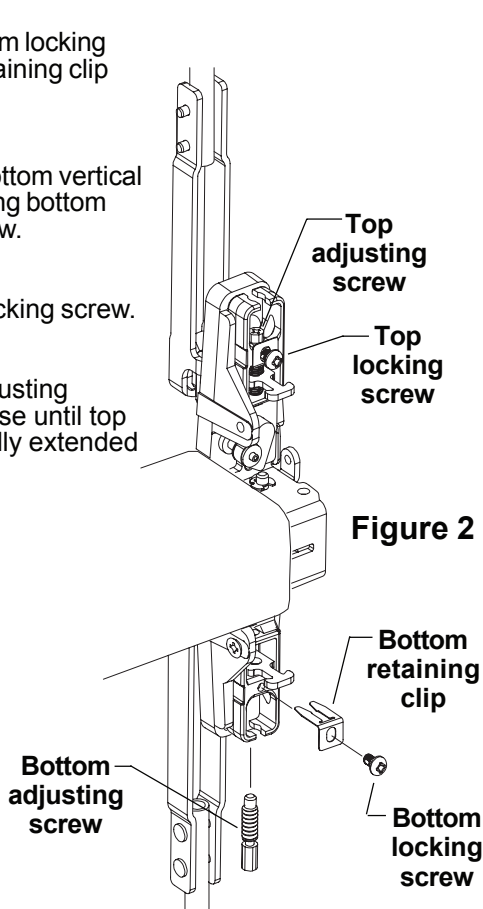
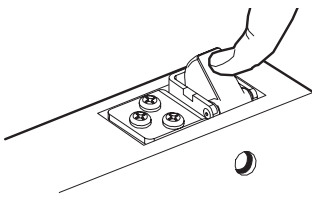


Figure 2

6. Check top latch bolt for deadlocking (latch bolt should not push in).



7. Turn top locking screw in against flat on adjusting screw. Do not over-tighten.

8. Depress pushbar and release.

9. Make sure top latch bolt stays retracted as shown.

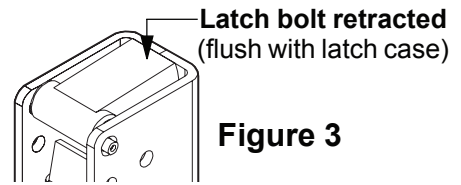


Figure 3

10. Install bottom adjusting screw through bottom rod and install bottom retaining clip and locking screw (Figure 2).

11. With top latch bolt still retracted, adjust bottom rod so latch bolt clears floor and bottom strike.

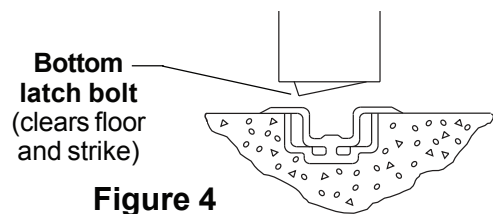


Figure 4

12. Close door and check bottom latch bolt for dead locking.

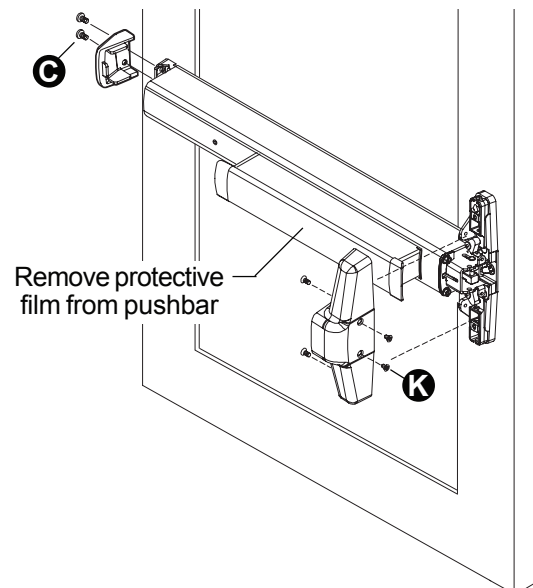
13. After bottom rod is fully adjusted per steps 11 and 12, turn bottom locking screw in against flat on adjusting screw. Do not over-tighten.

14. Check device operation by opening and closing door several times from the outside.

Redo adjustment procedure if :

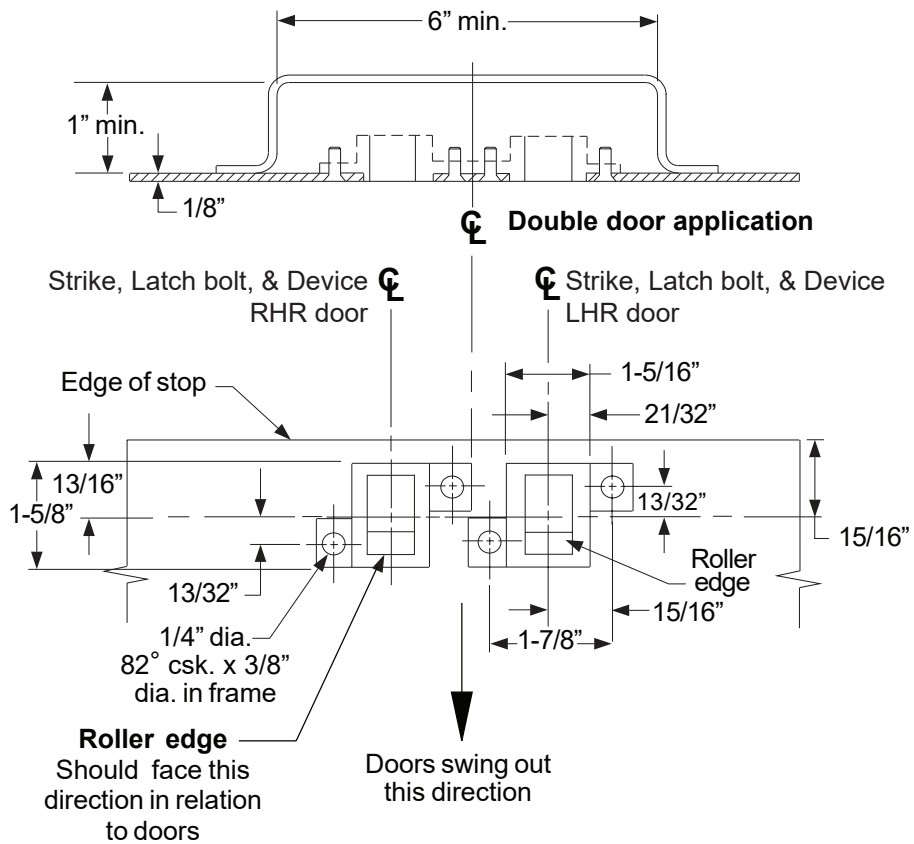
- Top latchbolt is not held retracted
- Bottom latchbolt does not clear floor and bottom strike

15. Install end cap and center case covers.

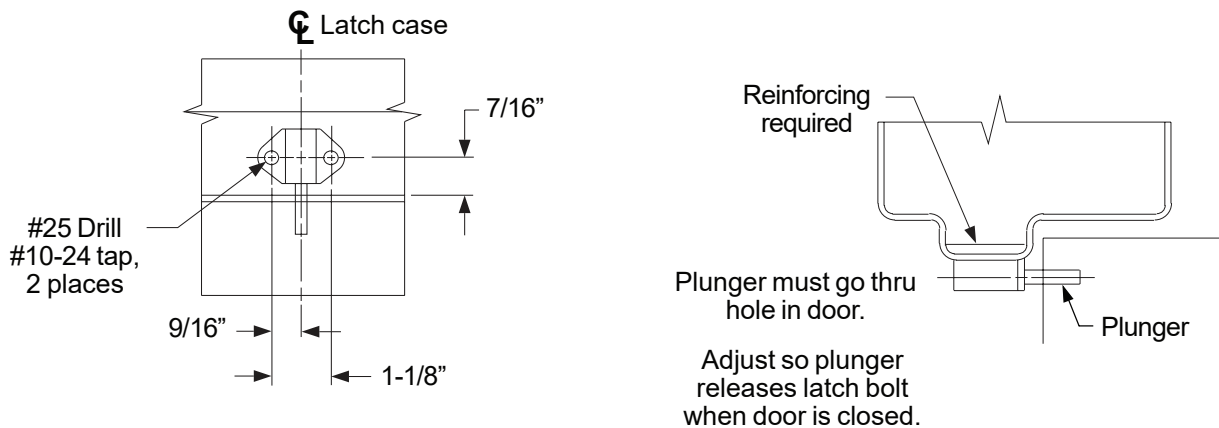


FRAME PREPARATION

338 Top strike



Ratchet release



OPTIONAL EQUIPMENT

CD (CYLINDER DOGGING)

1. Remove mortise cylinder cam and reinstall in reverse (Figure 1).
2. Insert key and rotate cam to install the cylinder to the cover plate (Figure 2).
3. Remove key to slide cover plate in position in the mechanism case.

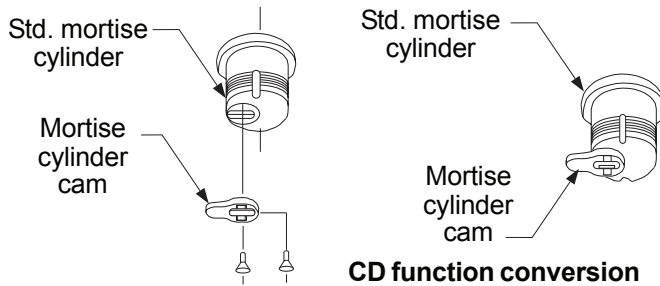


Figure 1

Dogging procedure

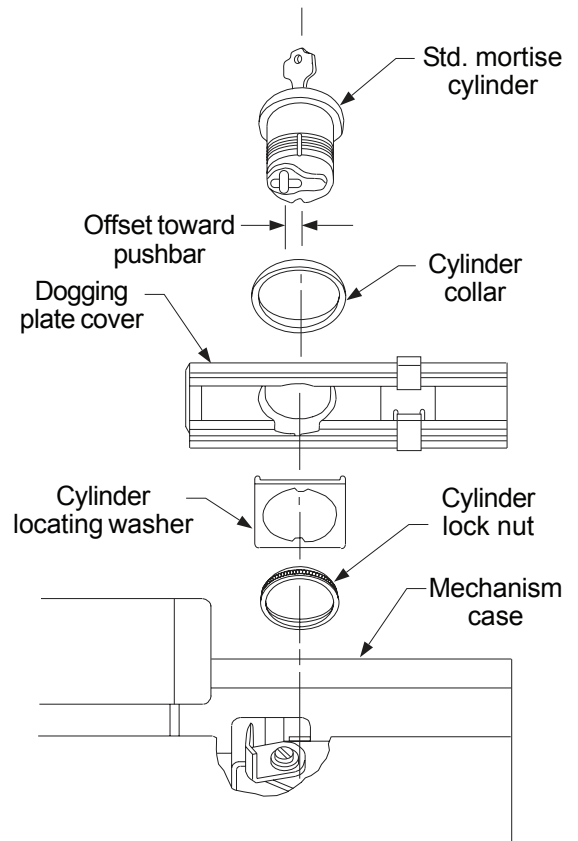
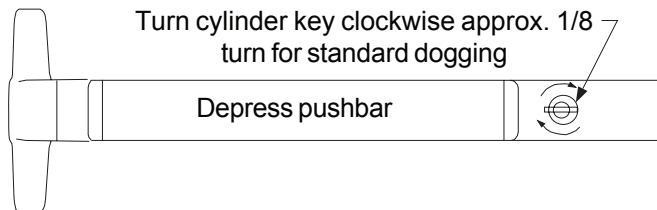
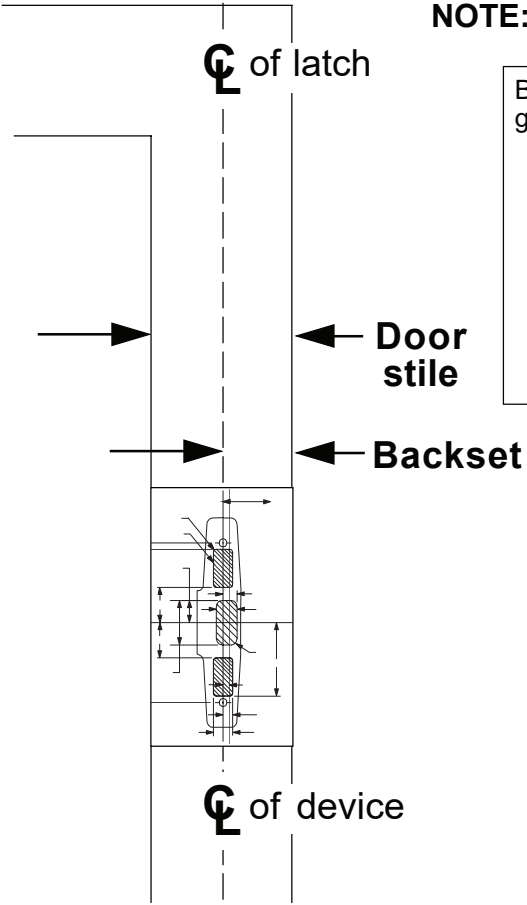


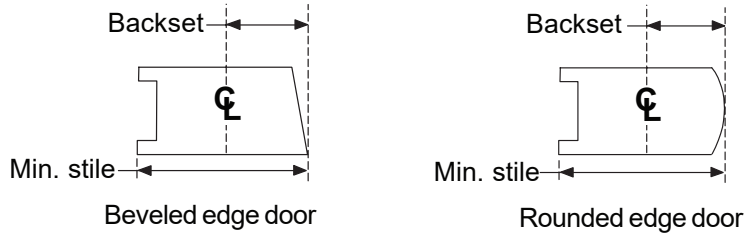
Figure 2

BACKSET INFORMATION

NOTE: For 2" stile doors see bottom half of page



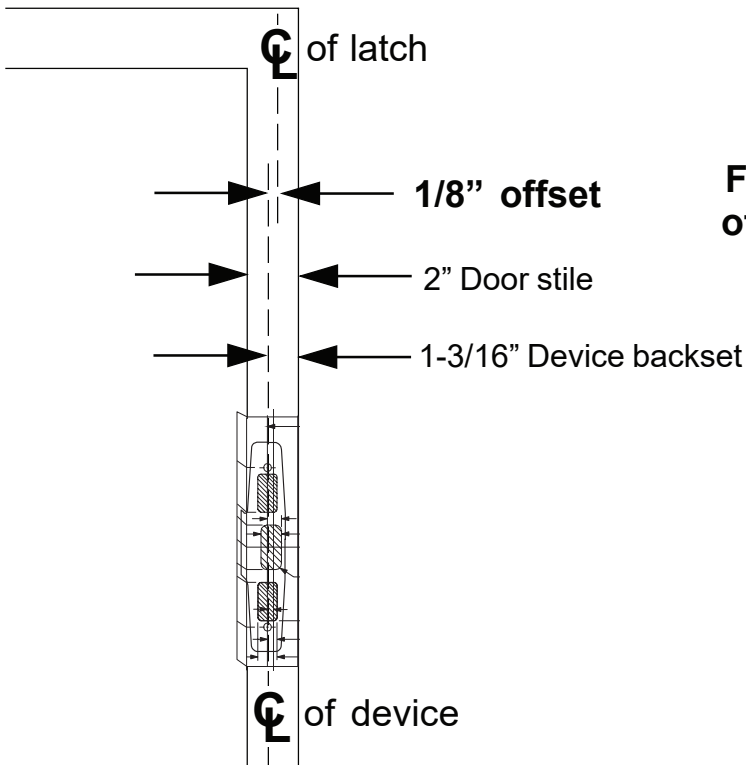
Backset is measured from outer edge of door as shown. Minimum stile is less glass stop (rectangular glass stop is recommended for stiles less than 2-1/8")



Backset Table

Door type	Backset	Min. stile	Application
Wood	1-5/16"	NA	All
Metal	1-3/16"	2-1/8" - 2-3/4"	Two vertical rod devices (panic)
	1-1/2"	2-3/4" - 3-3/4"	
	1-7/8"	3-3/4" - 5"	
	2-1/2"	5" to flush	
	1-1/2"	2-1/2" - 3-3/4"	Single door (panic)
1-7/8"	3-3/4" - 5"		
2-1/2"	5" to flush		
	2-3/4"	3-5/8" to flush	Fire and Hurricane applications

SPECIAL INSTRUCTIONS FOR 2" STILE DOORS



For 2" stile doors ONLY! Latch ☉ is offset 1/8" from Device ☉ as shown

This page
intentionally
left blank

METAL DOOR RHR

33/3547A Device template

X

RHR

← Backset →

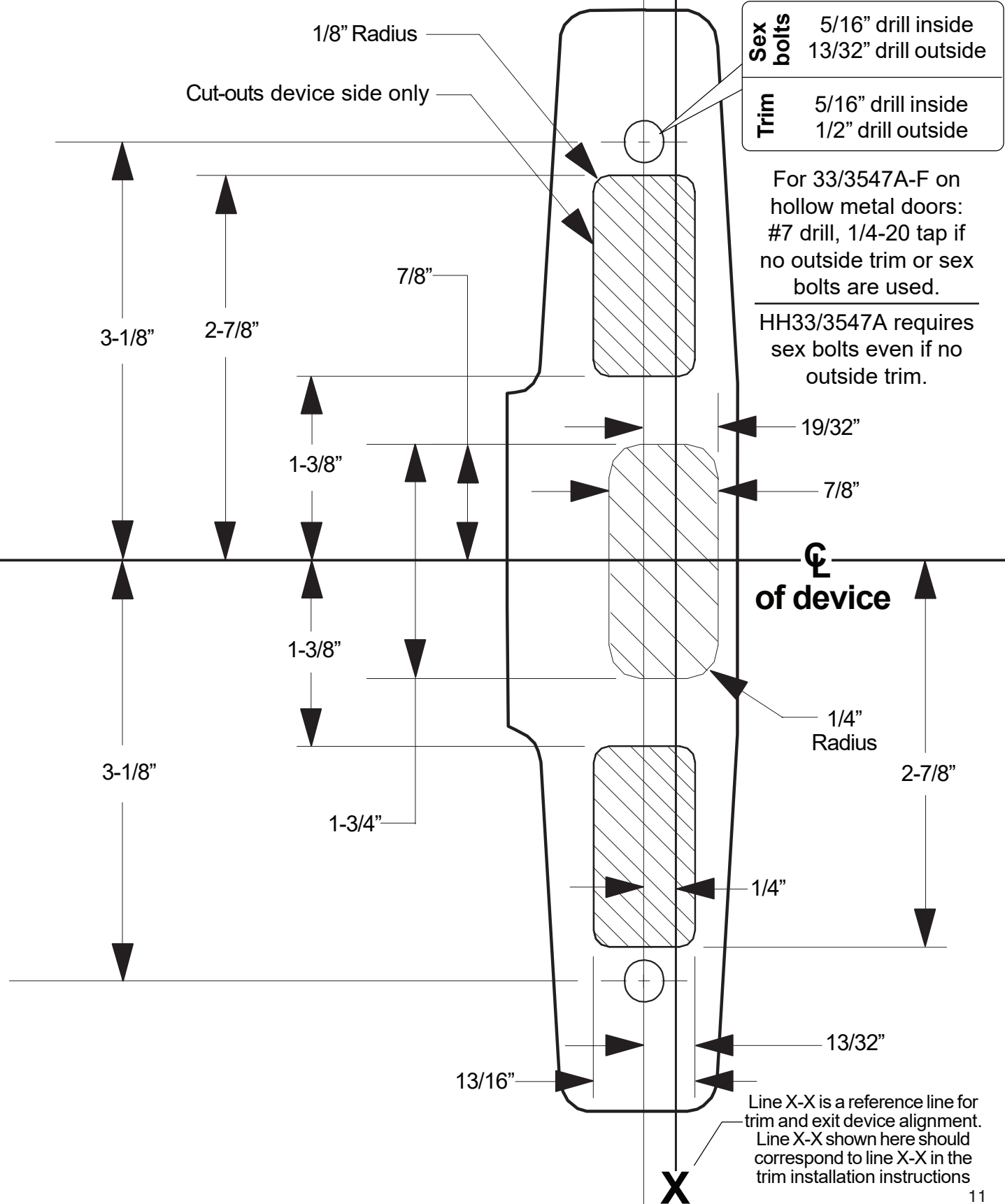
See "Backset Information" on page 9

Device ϕ

Sex bolts	5/16" drill inside 13/32" drill outside
Trim	5/16" drill inside 1/2" drill outside

For 33/3547A-F on hollow metal doors:
#7 drill, 1/4-20 tap if no outside trim or sex bolts are used.

HH33/3547A requires sex bolts even if no outside trim.



Line X-X is a reference line for trim and exit device alignment. Line X-X shown here should correspond to line X-X in the trim installation instructions

LHR

METAL DOOR LHR 33/3547A Device template

← **Backset** →

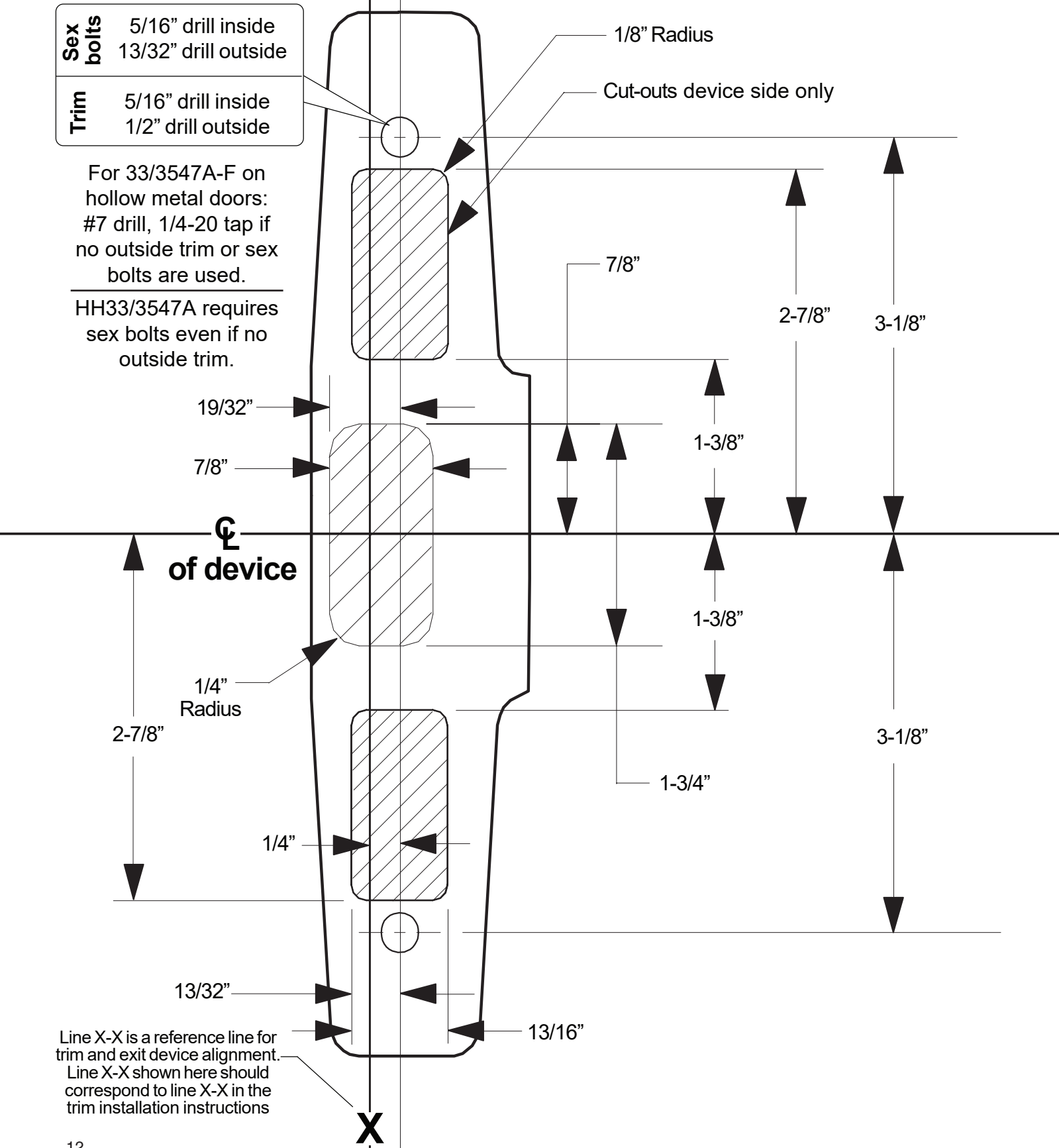
See "Backset Information" on page 9

☉ of device

Sex bolts	5/16" drill inside 13/32" drill outside
Trim	5/16" drill inside 1/2" drill outside

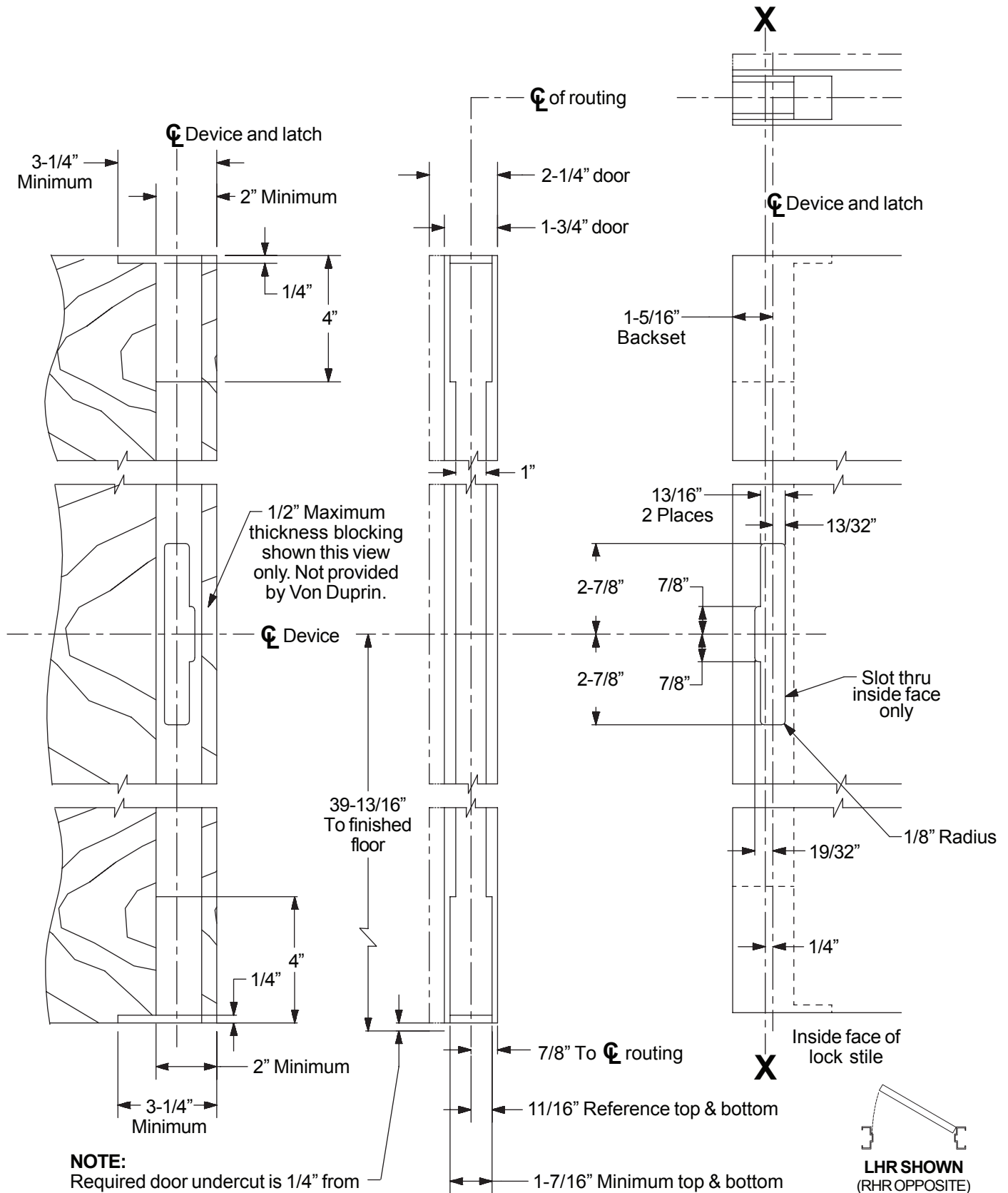
For 33/3547A-F on hollow metal doors:
#7 drill, 1/4-20 tap if no outside trim or sex bolts are used.

HH33/3547A requires sex bolts even if no outside trim.



Line X-X is a reference line for trim and exit device alignment.
Line X-X shown here should correspond to line X-X in the trim installation instructions

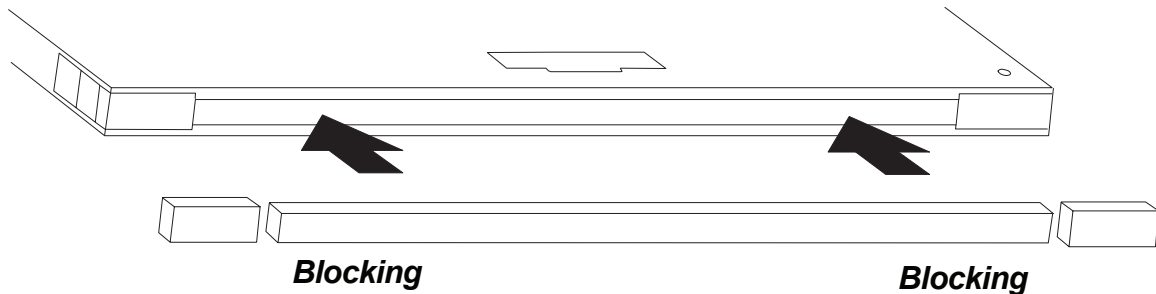
WOOD DOOR PREPARATION - DOOR ROUTING



WOOD DOOR PREPARATION - DOOR BLOCKING AND WRAP

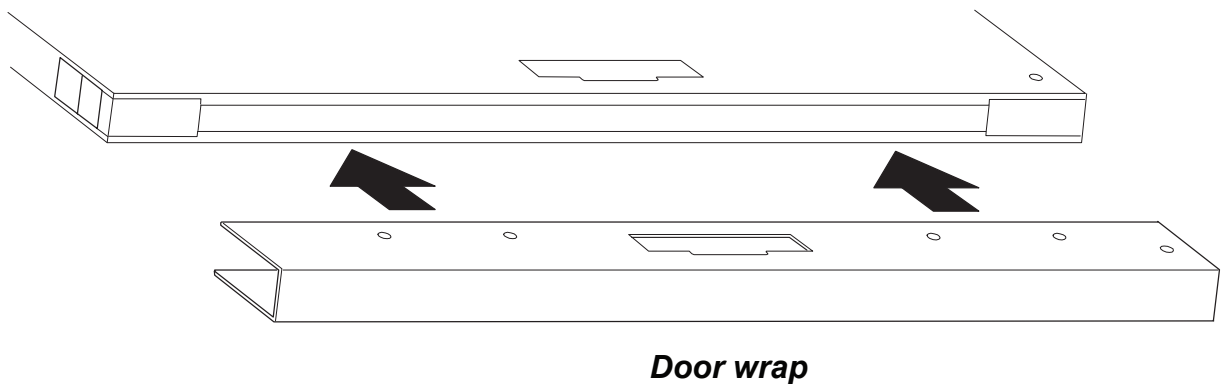
A. Install door blocking. See page 13 for door blocking dimensions.

Note: If not using door wrap, the blocking can be installed after device is installed.



B. Install door wrap if needed. Door wrap is required for Fire rated (F) devices.

Note: Required on fire doors only, not supplied by Von Duprin
(See door manufacturer's requirements)



WOOD DOOR RHR 33/3547A Device Template

RHR

