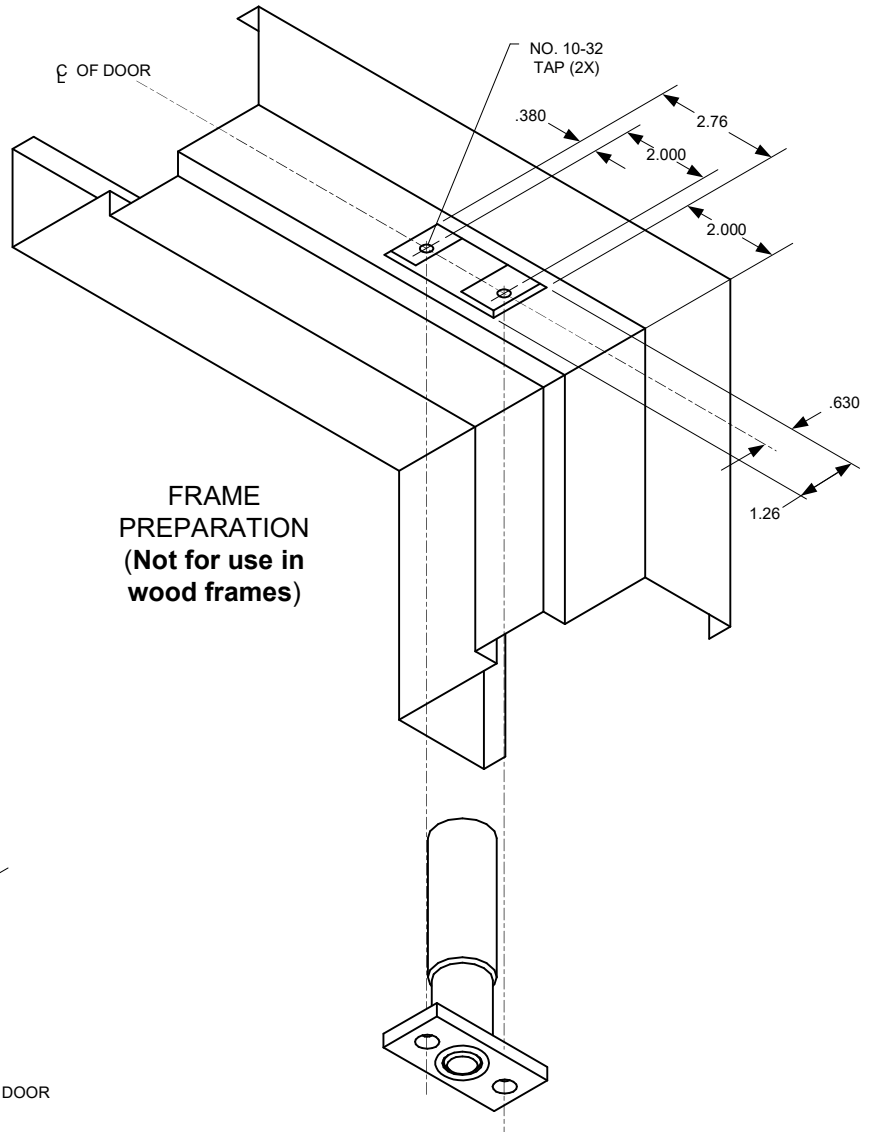
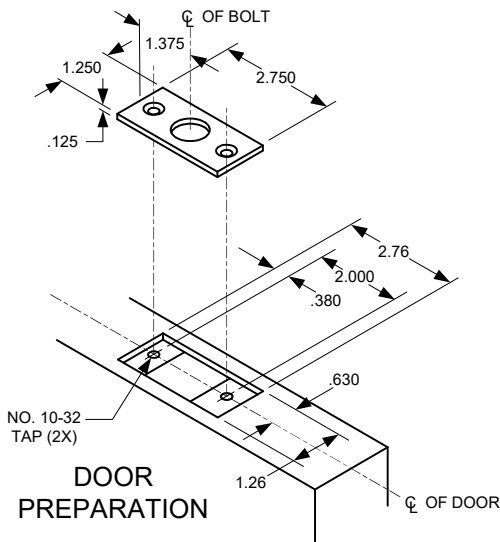
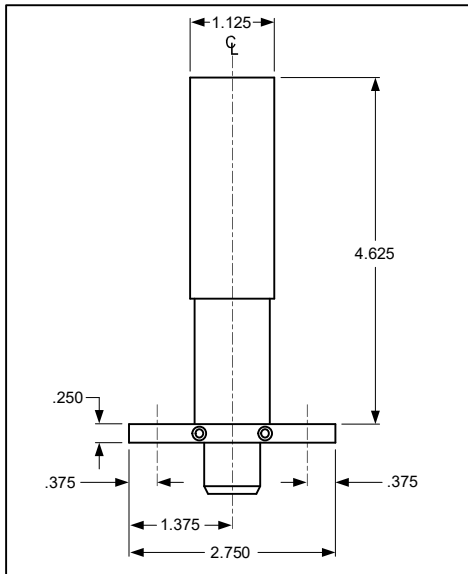


SDC Security Door Controls

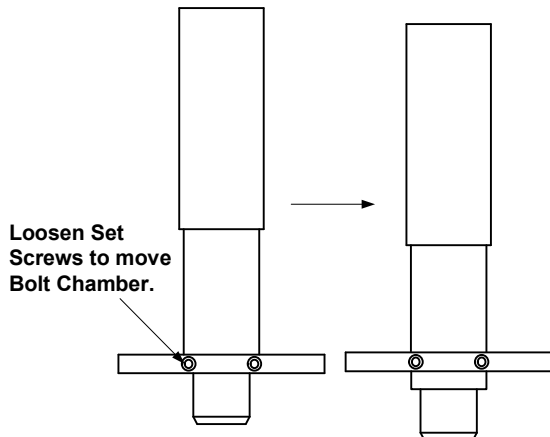
801 Avenida Acaso, Camarillo, Ca. 93012 • (805) 494-0622 •
 www.sdcsecurity.com • E-mail: service@sdsecurity.com

TEMPLATE 110/210



FRAME
 PREPARATION
 (Not for use in
 wood frames)

Bolt Adjustable for Wide Door Gap



NOTE: TEMPLATE DIMENSIONS ARE SUBJECT TO CHANGE WITHOUT NOTICE

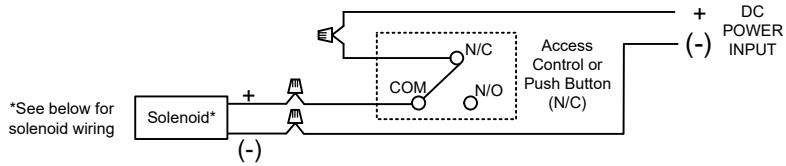
TECHNICAL DATA

- FACE PLATE:** 2-3/4" x 1-1/4" x 1/4" (69.85mm x 31.75mm x 6.35mm)
- STRIKE:** 2-3/4" x 1-1/4" x 1/8" (69.85mm x 31.75mm x 3.18mm)
- ID REQUIREMENTS:** 2-3/4" x 1/4" x 4-5/8" (69.85mm x 6.35mm x 117.48mm)
- BOLT:** 1/2" (12.70mm) DIA. STAINLESS STEEL
- BOLT THROW:** 1/2" (12.70mm) ROTATING, ADJUSTABLE FOR WIDE GAP
- 110: FAIL-SAFE** – LOCKED WHEN ENERGIZED
- 210: FAIL-SECURE** – UNLOCKED WHEN ENERGIZED
- SOLENOID:** CONTINUOUS DUTY

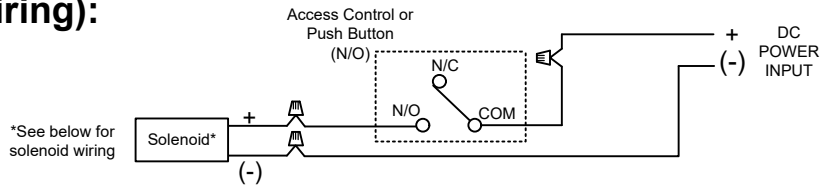
Any suggestions or comments to this instruction or product are welcome. Please contact us through our website or email engineer@sdsecurity.com

LOCK WIRING

110 (Standard wiring):

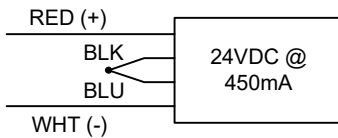


210 (Standard wiring):

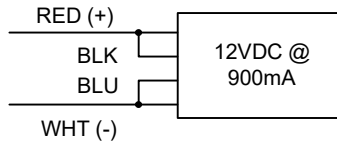


Solenoid Voltage Configuration:

24VDC SOLENOID CONFIGURATION



12VDC SOLENOID CONFIGURATION



ELECTRICAL DATA:

Dual Voltage (110/210)

12VDC @ .9 Amp

24VDC @ .45 Amp

Continuous Duty