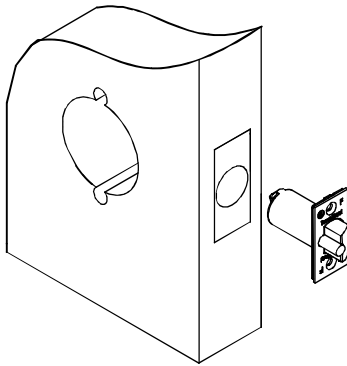


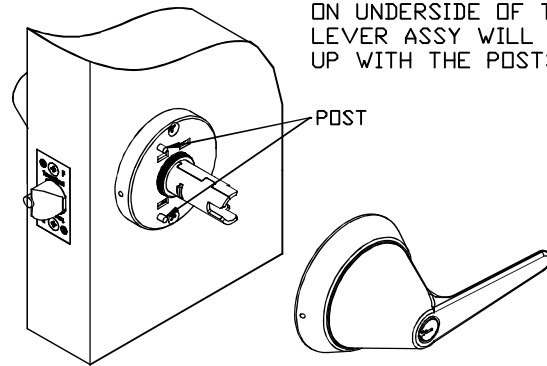
TOWNSTEEL TRXL LIGATURE RESISTANT LOCK INSTRUCTIONS

STEP 1



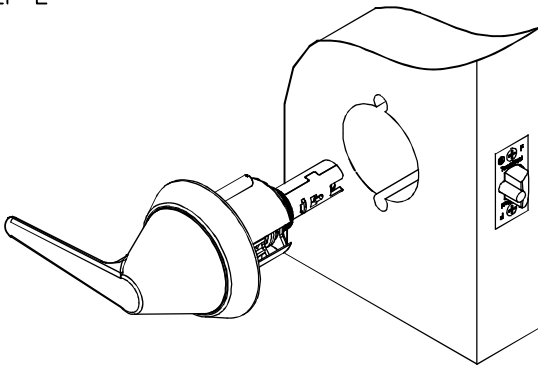
PREPARE DOOR PER TEMPLATE PROVIDED. INSTALL LATCH AS SHOWN. NOTE- BETTER TO SCREW IN THE LATCH AFTER STEP 2.

STEP 4



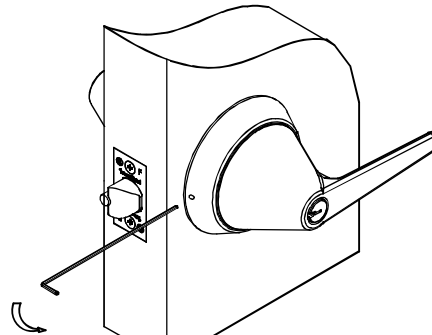
INSTALL THE OUTSIDE LEVER ASSY. 2 HOLES ON UNDERSIDE OF THE LEVER ASSY WILL LINE UP WITH THE POSTS.

STEP 2



INSTALL INSIDE LOCK ASSEMBLY IN CUTOUT. LINE UP RETRACTOR ON LOCK BODY WITH LATCH (NOTE- EASIER TO DO THIS WITH THE LATCH LOOSE AND THEN SCREW IN THE LATCH AFTER THIS STEP)

STEP 5



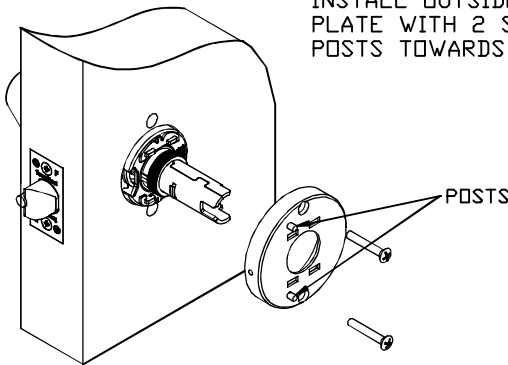
AFTER PLACING THE OUTSIDE LEVER ASSEMBLY ON THE OUTSIDE PLATE USE THE PROVIDED ($\frac{5}{64}$) ALLEN WRENCH (THROUGH THE SET SCREW HOLE, 1 ON EACH SIDE) AND SECURE THE OUTSIDE LEVER ASSEMBLY BY TURNING THE SET SCREWS COUNTER-CLOCKWISE (TO REMOVE ROTATE CLOCKWISE).

TURN COUNTER-CLOCKWISE TO TIGHTEN. (HAND TIGHTEN- DO NOT OVER TIGHTEN AND BREAK THE ALLEN WRENCH)

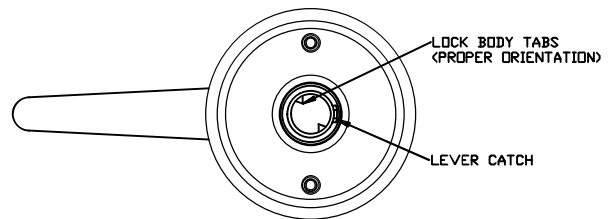
NOTE- CHECK LOCK OPERATION PRIOR TO LOCKING THE DOOR. IF THERE ARE ANY ISSUES THEY NEED TO BE FIXED PRIOR TO LOCKING THE DOOR.

STEP 3

INSTALL OUTSIDE MOUNTING PLATE WITH 2 SCREWS. POSTS TOWARDS LATCH SIDE



DETAIL (FOR F84 KEYED LOCKS)



BEFORE INSTALLING LEVER- ENSURE LOCK BODY TABS ARE IN THE ABOVE POSITION- IT IS FACTORY SHIPPED IN THIS POSITION AND SHOULD NEED NO ADJUSTMENT. IF NOT- ROTATE TABS CCW UNTIL THEY STOP, THEN ROTATE APROX 1/2 TURN CW (180°). THE LOCK WILL BE IN THE UNLOCKED POSITION. WHEN THE KEY SPINDLE IS CORRECTLY INSTALLED THE KEY WILL ROTATE 180° FROM HOME POSITION IN BOTH DIRECTIONS (WILL NOT ROTATE 360° IN ONE DIRECTION).

INSIDE LOCK ASSEMBLY

MOUNTING SCREW

OUTSIDE LEVER

OUTSIDE MOUNTING PLATE

LATCH

LATCH MOUNTING SCREW