

## Lite Duty Commercial Door Closer

### GRADE 1



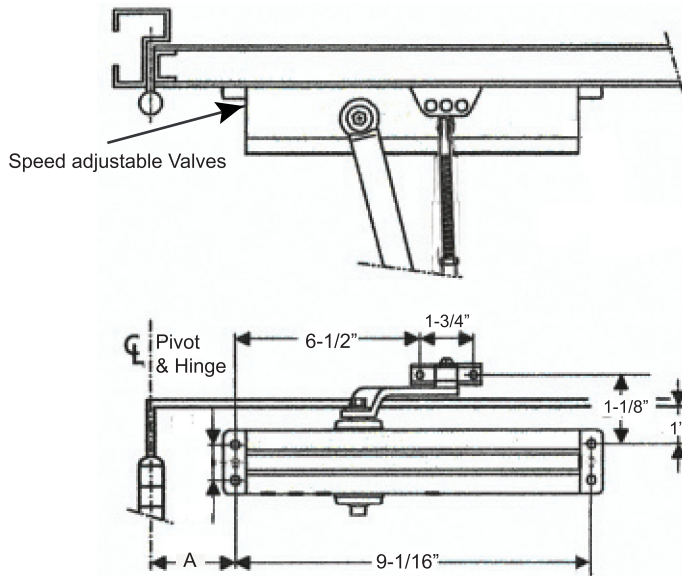
### FEATURES

- Tri-Pack with regular, parallel and top-jamb mounting, instructions and full size template.
- **BF** -Barrier free spring adjustment from size 1 to 4.
- Standard spring adjustment from size 2 to 5.
- Non handed.
- Standard with adjustable sweep, latch and back check.
- Slimline Plastic Cover.
- **SNB** - Sex Nuts and Bolts.
- Standard hole pattern and mounting location.

### SPECIFICATIONS

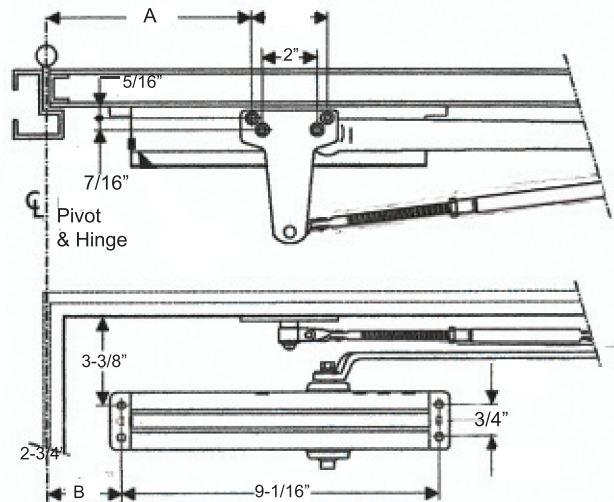
**Closer** Closers shall be by **TownSteel** model number TDC-90 and TDC-90BF, full rack and pinion type with cast aluminum alloy body. All closers shall be provided with non-critical valves adjustment to independently regulate the sweep, latch and back-check. Closers shall be non-handed with projection from the face of the door of 2-1/16" without cover and 3" with cover. Closer shall have full spring adjustment from size 1 to size 4 for barrier free (BF) size and size 2 to size 5 for standard size. The closer shall be pre-adjusted at the factory to size 2 for the TDC90BF and size 3 for TDC90. The closer shall be adjusted for each door condition and mounted to allow the maximum degree of swing.

### PULL SIDE INSTALLATION



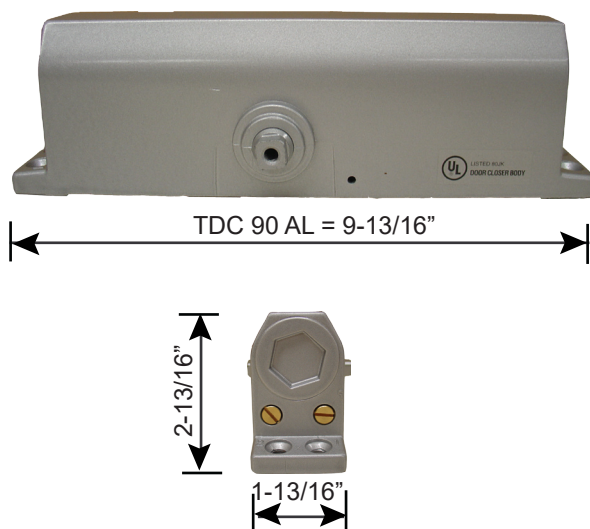
OPENING	DIM A
120°	6-1/2"
120° — 180°	4"

### PUSH SIDE INSTALLATION



OPENING	DIM A	DIM B
120°	10-3/4"	6-15/16"
120° — 180°	8-3/4"	4-3/4"

### CLOSER BODY



### PDC-SLM-SLIM CLOSER COVER

