



# INSTRUCTIONS MANUAL

## T800 Series

### IMPORTANT

DELIVER THIS GUIDE TO THE OWNER / USE OF OUTSIDE TRIM OF THE PANIC EXIT DEVICE

## INSTRUCTIONS MANUAL

OUTSIDE TRIM SUITABLE FOR EMERGENCY DOORS WITH PANIC EXIT DEVICES.

### IMPORTANT

READ CAREFULLY ALL THE INSTRUCTIONS BEFORE INSTALLING THIS TRIM  
THIS MANUAL MUST BE AVAILABLE WHILE THE PRODUCT IS ACTIVE

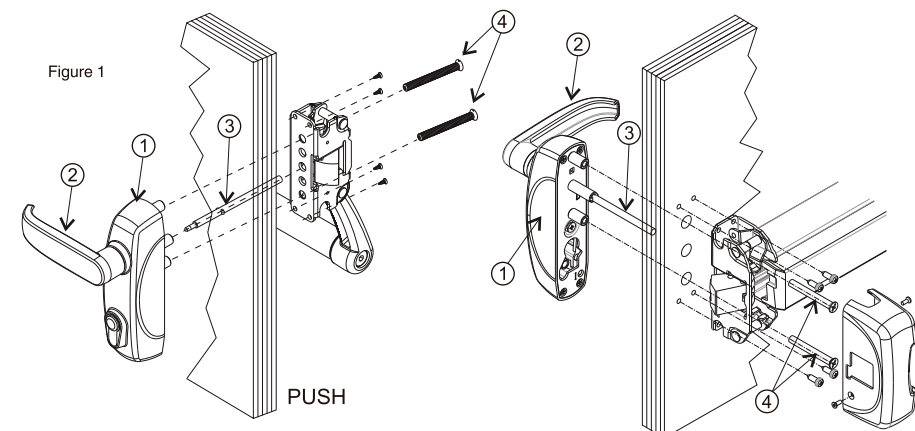
## 1 USE AND APPLICATION

The T800 SERIES is recommended to be used as outside trims in emergency doors with panic devices, with a thickness between 1.5 and 2.55 inch., using a JAQUE panic device in any of its series (RIM, SURFACE BAR, PAD).

For major thickness, please ask for assistance to your supplier.  
In case of glass doors, a specific support must be used (not included).

## 2 PREPARATION

### 2.1) General installation Scheme



Piece  
1- Outside trim  
2- Lever  
3- Pushing bolt  
4- Screws of attachment

T300 SERIES / T240 SERIES

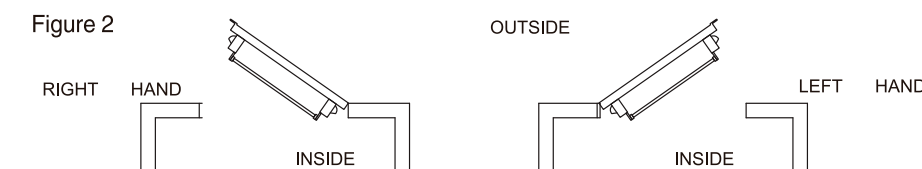
### 2.2) Components given and necessary tools for installation

COMPONENT	CANT
Exterior access	1
Knob or Knob as a ball	1
Keys (for cerrature models)	2
Puch cap	1
Screw of attachment 1/4" x 2 1/4"	2
Top column for hand selection	1
Templete	1

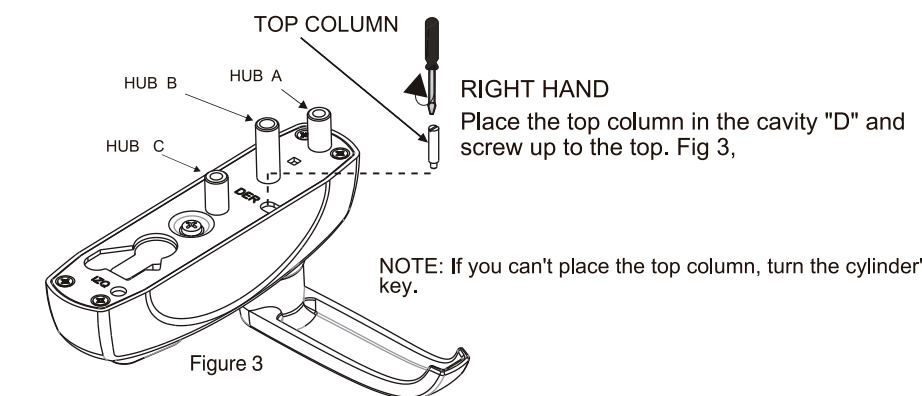
### TOOLS TO USE

- Saw.
- Screwdriver Ø 3/16". Flat head.
- Screwdriver Ø 5/32". Head Phillips.
- Screwdriver Ø 1/4". Head Phillips.

### 2.3) Determination of the hand of the opening of the door



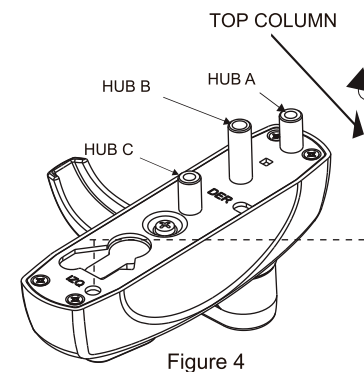
This trim is provided with no hand orientation. The technician should assemble it, as needed.



### LEFT HAND

Place the top column in the cavity "I" and screw up to the top. Fig 4.

NOTE: if you can't place the top column, turn the cylinder's key.



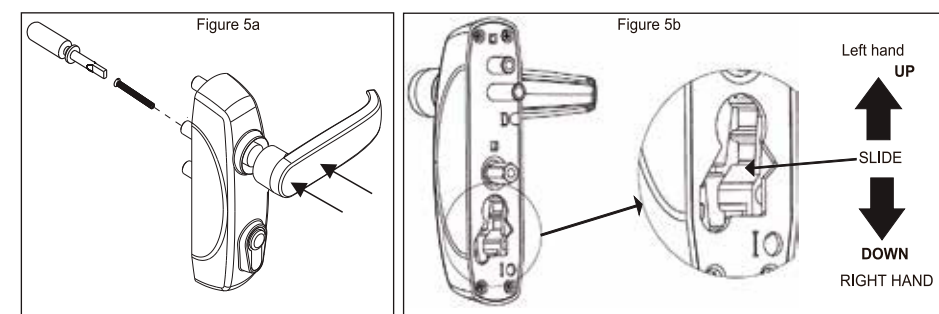
### Door lever assembly

(Only for models with door handle).

Place the lever in the position to the needed hand orientation, push it up to the top and tighten it with screwdriver phillips Ø 5/32 inside the hub, until is in firm position and without movements. Fig. 5a.

ATTENTION: only for lever trim with blind lid (passage style).

Once the lever is tightened, look for the slide inside the mechanism and move it to the top with the help of a tool until a click sounds (up direction if left hand orientation; down direction if right hand orientation). Fig. 5b.



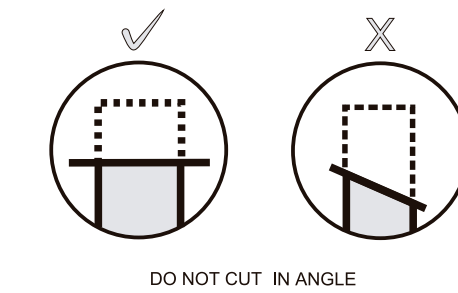
### 2.4) Pushing bolt lenght

Cut the pushing bolt to needed length "L", according to the JAQUE panic device option.

ANTIPANIC DEVICE/EMERGENCY	WODDEN DOOR / METÁLLIC DOOR	GLASS DOOR
PUSH	L= E + 1.34 inch.	L= E + 2 inch.
TOUCH, E-TOUCH, PAD	L= E + 1.6 inch.	L= E + 2.24 inch.
E: ESPESOR DE LA PUERTA / DOOR THICKNESS		

ATTENTION: The pushing bolt must be cut by its mayor diameter end, perpendicularly to the axis and with no discontinuities or edges (fig. 6).

Figure 6



## 3 INSTALLATION

You can add this outside trim to emergency doors that already have a JAQUE panic device previously installed, or you can install it together with a JAQUE panic device in a new emergency door. Attention: for templated glass doors, a support for outside trims must be used (not provided), and the fastening holes must be done before the templation of the glass and in the way is shown in this manual.

### 3.1) Installation of the outside trim in emergency doors that already have a JAQUE panic device previously installed.

3.1.1) Move away carefully the JAQUE panic device installed on the door. Avoid cracking the nut of the screws and/or deform the fastening holes that the door has.

3.1.2) Place the given template on the inside part of the door and match the 4 holes 9/64" in diameter already drilled for the previous exit device with its 4 holes 9/46" in diameter. Mark the 3 holes 1/2" in diameter on the door and do the holes that go right through of 1/2".

**VERY IMPORTANT:** The 3 through holes of Ø 1/2" should be perfectly perpendicular to the door and concentric to the holes of the internal and external face to the door, otherwise the mechanisms of the external access and panic / emergency device could work improperly, lock or deteriorate with the use.

3.1.3) Install again the JAQUE panic device originally placed on the door (follow instructions from its previously provided manual or check it on our website WWW.BLINCER.COM) and proceed with the installation of the outside trim since 3.2.3.

### 3.2) Installation of outside trim simultaneously with a JAQUE panic device.

3.2.1) Firstly install the JAQUE panic device on the inside part of the door following the instructions manual.

3.2.2) In case of glass doors, a support should be used in order to hold the outside trim (not provided).

3.2.3) Cut the pushing bolt as shown in 2.4 and place it from its thinnest part inside the B hub of the outside trim (see Fig. 1). Place the trim on the outside part of the door by putting the pushing bolt and hubs A and C into the holes 1/2". done before.

Insert fastening screws 1/4" and 2 1/4" inch. through 1/2" hole, device holes and tighten until the trim remains firmly fixed and the screws flat head does not stand out from the panic device.

## 4 IMPORTANT

Observe all the specifications of this manual to guarantee the good working and long durability of this product.