

# SECURAM

# SAFELOGIC BASIC



## SafeLogic Basic Safe Lock

The SafeLogic Basic is a very reliable and robust safe lock system ideal for most applications. The SafeLogic Basic features SECURAM's rugged stainless steel construction.

This EntryPad can be paired with any of the 4 SECURAM Lock Bodies: SwingBolt, DeadBolt, SpringBolt and StrikeBolt.

## Simple to Use • Reliable

- Enter your 6 digit code and turn the safe handle. That's it.
- Easy keypad programming allows for code changes, additions, and deletions. Enable and Disable function also available.
- SureLock Battery Compartment for easy Battery replacement, without removing the entrypad from the safe door.
- Every SECURAM lock undergoes a 2,000 cycle quality management program before it leaves the manufacturing facility. Unprecedented commitment to quality and reliability.

## Features

- 2 User Codes
- Manager Code
- User Code
- 6 Digit Code
- Penalty LockOut after 4 incorrect codes
- Stainless Steel EntryPad Housing
- Can be paired with any SECURAM Lock
- Simple Mechanical Reset
- Standard footprint makes for easy retrofit
- SureLock Battery Management
- Finishes:
  - Chrome - CH
  - Brass - BR
  - Black Chrome



Brass



Black Chrome



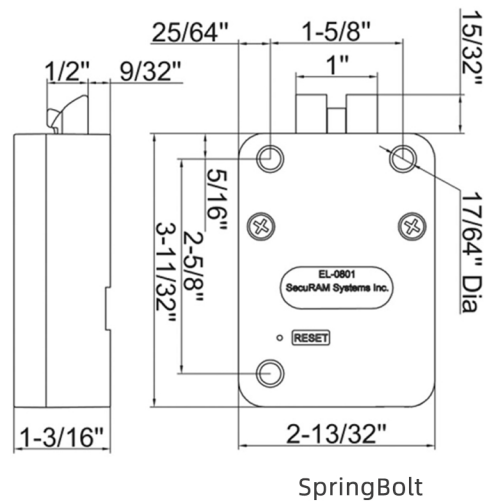
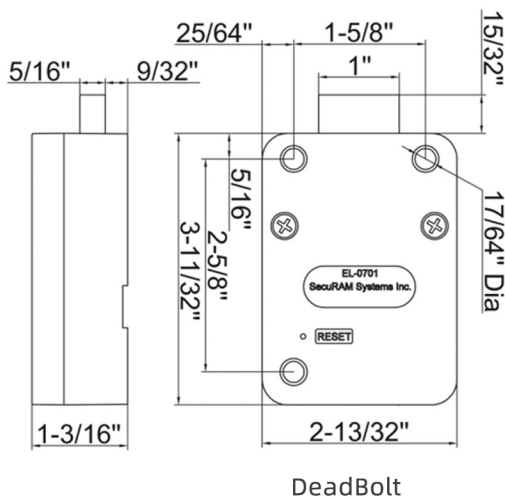
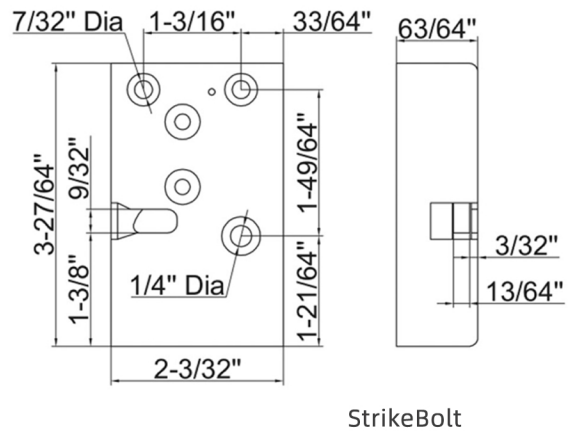
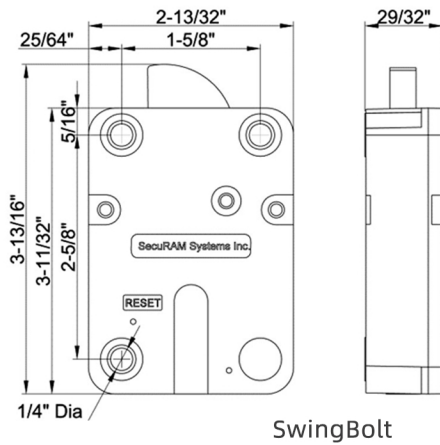
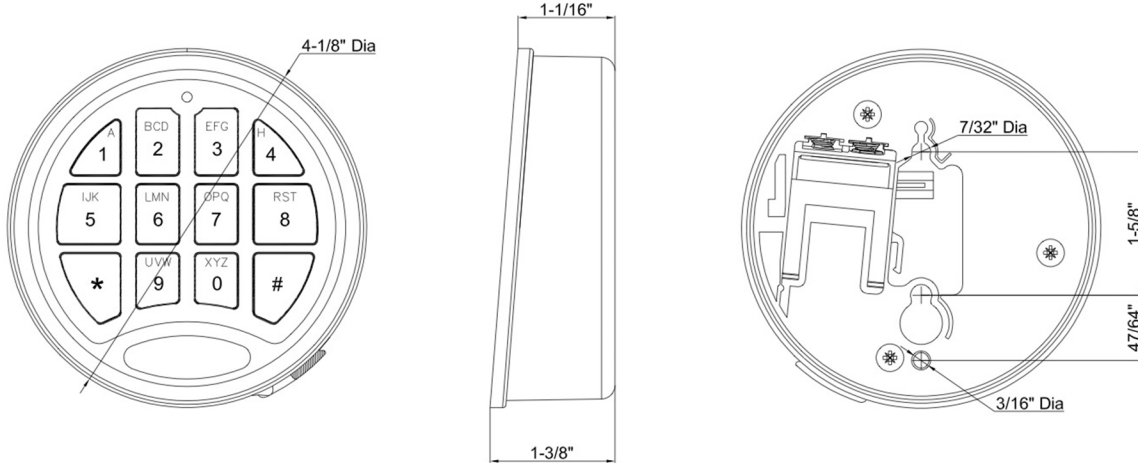
**SureLock Battery  
Compartment for easy  
battery changes**

Part # EC-0601A-II

**SECURAM**

# SECURAM

www.securamsys.com



## Specifications

Power Supply	(1) 9V Alkaline Battery (Duracell)
Battery Life Span	About one year
Code Length	6 Digits
Standby Current	<50uA
Battery Low Voltage	5.4+/-0.2V
Operating Humidity	90% Maximum