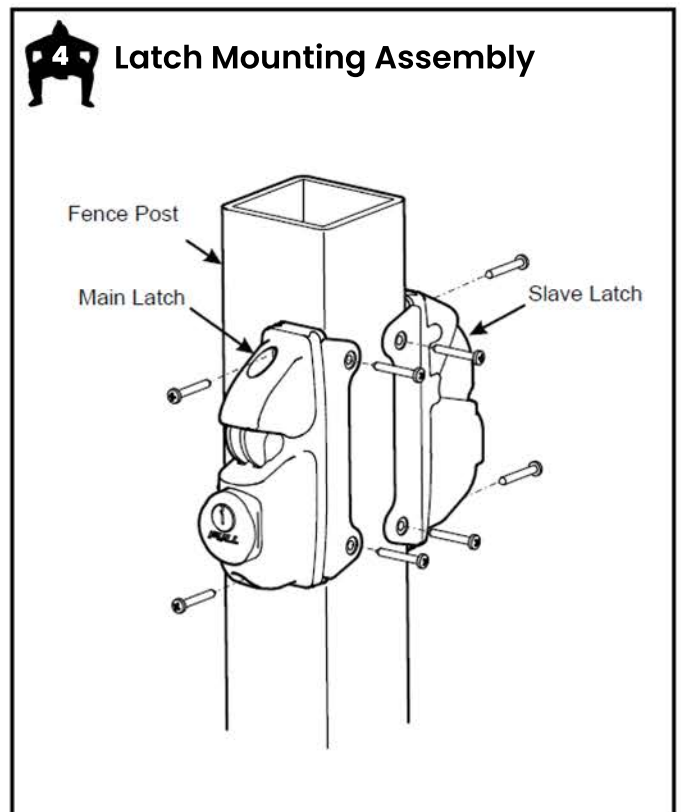
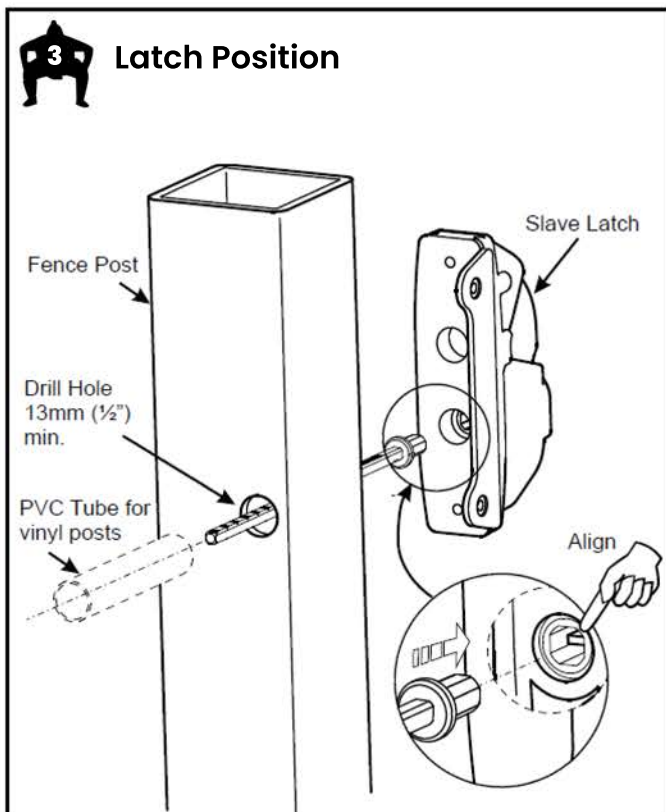
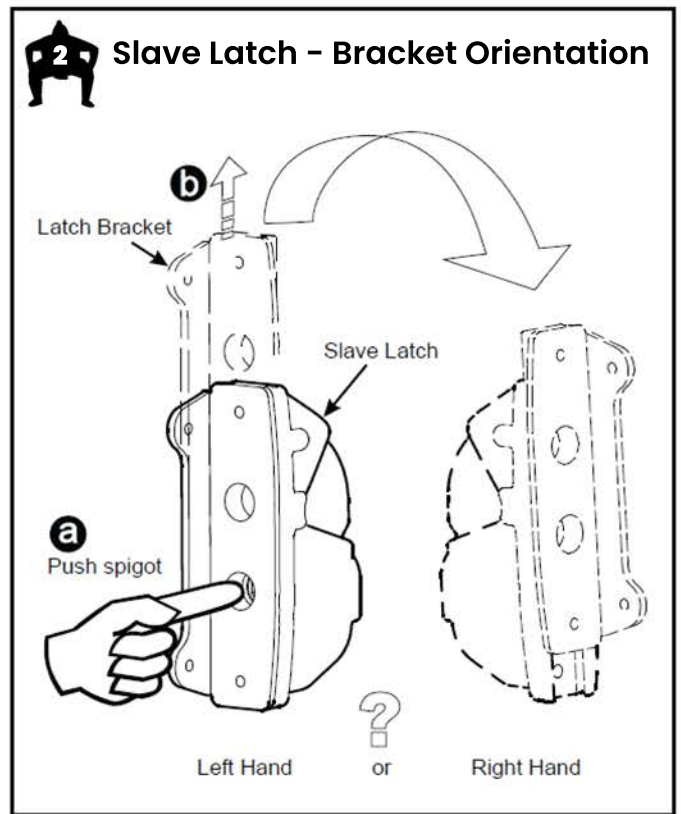
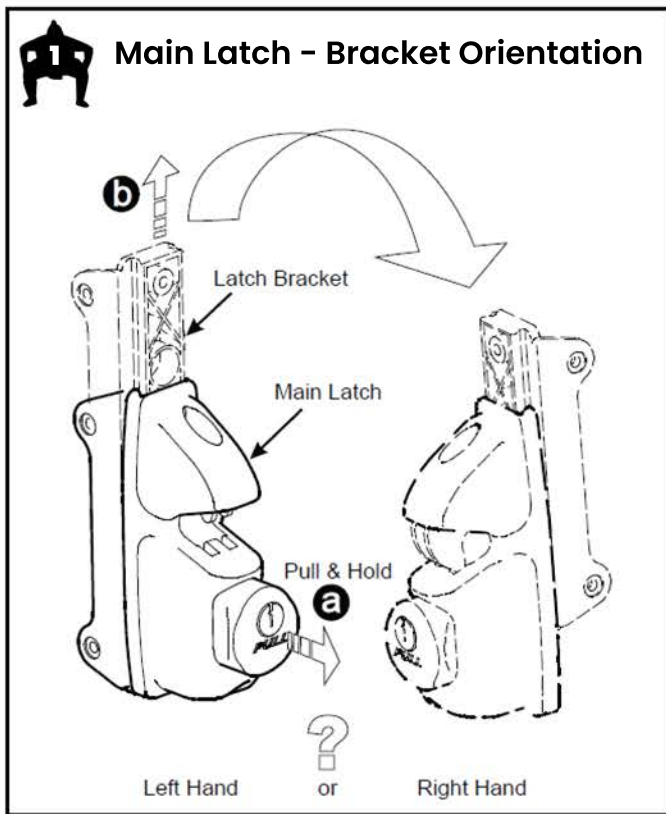


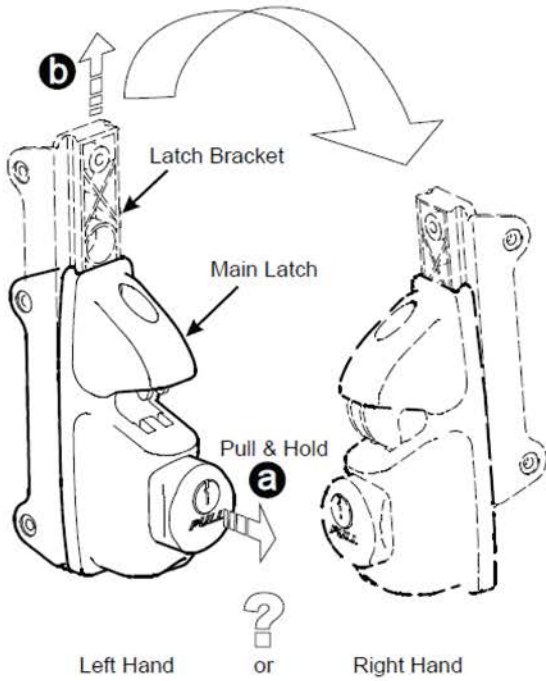
SUMO™ GRAVITY GATE LATCH

INSTALLATION INSTRUCTIONS





5 Striker Bracket Position



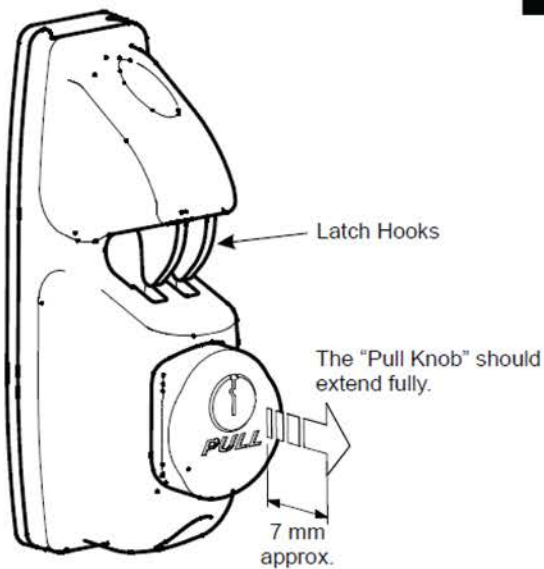
The lock will operate properly only if installed and maintained in accordance with these instructions.

SUMO™ products are warranted to be free of defects in materials and workmanship to the original purchaser for as long as he/she owns the product. If a structural defect appears, the original purchaser may return the item, freight prepaid, together with a proof of purchase to SUMO™. SUMO™ will, at their discretion, repair or replace the defective item or part without charge to the purchaser. This warranty shall not apply when the product has been tampered with, when repairs or attempted repairs have been made by unauthorized persons, where the item has been subjected to misuse, abuse, accident or damage in transit, or where the installer has not followed the instructions set out during installation, operations, or maintenance requirements.

IN NO EVENT SHALL THE COMPANY BE LIABLE FOR ANY INCIDENTAL OR CONSEQUENTIAL DAMAGES. No warranty is given other than that set out above. No other express or implied warranties (including statutory warranties) apply, other than warranties which may not be legally excluded.

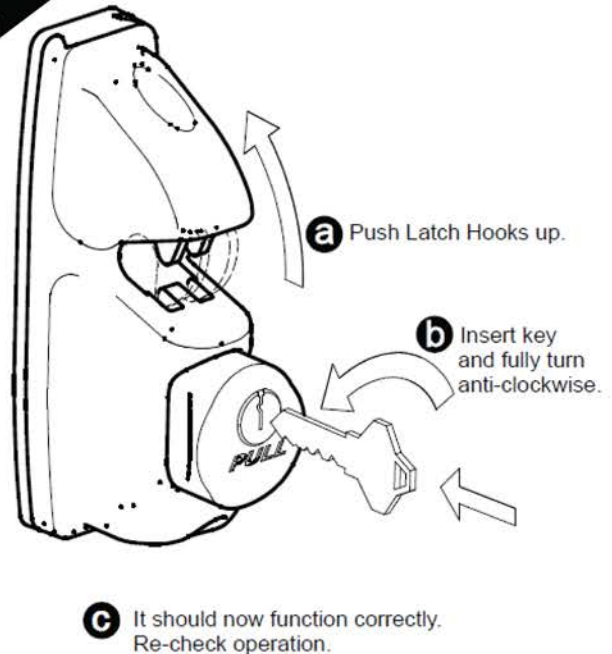
PLEASE NOTE:

Check that the latch is operating properly



The operation of the Gate Latch may not be correct due to the key being turned whilst the Latch Hooks were reclined.

to rectify



SUMOGATEHARDWARE.COM

For technical support, contact support@lockeyusa.com or call 888.395.0163.