

S4000 Series

Commercial Exit Devices

SDC's **S4000 series** features low-profile, high value electrified grade 1 exit devices with stainless steel construction. Not all exterior doors have adequate overhang protection, exposing them to weather and corrosion. The S4000 is corrosion resistant and comes with motorized electric latch retraction and request-to-exit (REX) monitoring factory installed, making its application as easy as **Install - Power - Done.**



MODELS

S4100 Rim Mount

S4200 SVR Surface Vertical Rod

STANDARD FEATURES

- Factory installed motorized electric latch retraction and dogging
- Durable stainless steel construction
- Corrosion resistant
- Scratch, fingerprint and impact resistant touch pad
- Compact industrial design
- Variety of function choices
- Request-to-exit (REX)

OPTIONAL FEATURES

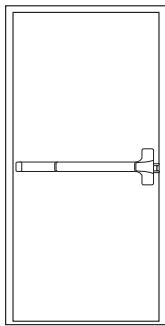
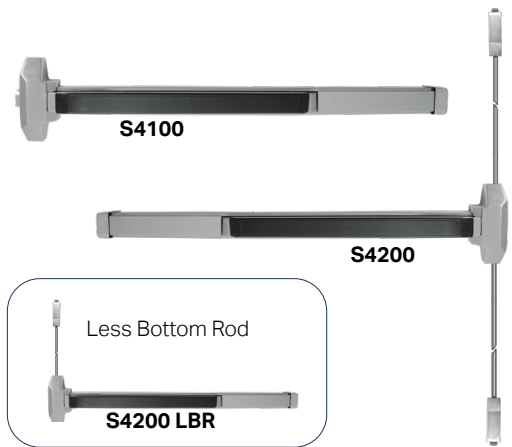
- Fire-rated device
- Less bottom rod*
- Trim choices available

* For surface vertical rod devices only

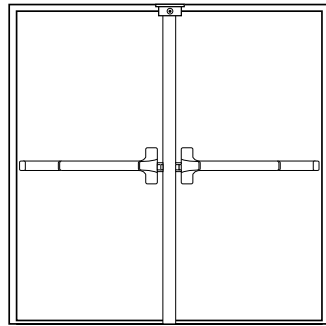


APPLICATIONS

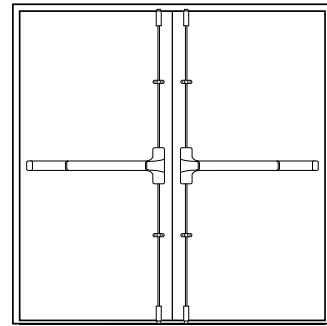
- Commercial and industrial
- Hollow metal, wood and mineral core doors
- New or retrofit construction
- Rim and surface vertical rod devices
- Single or pair of doors
- Wide stiles (4" minimum)



Rim device on single door.



Two rim devices on two independent active doors with removable mullion.

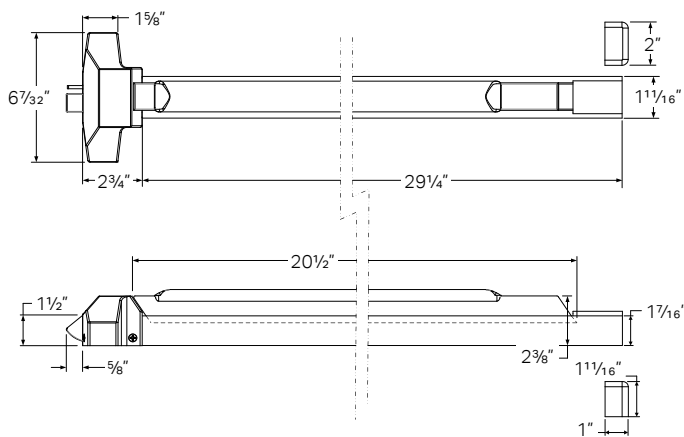


Two surface vertical rod devices - same direction. Overlapping astragal not required.

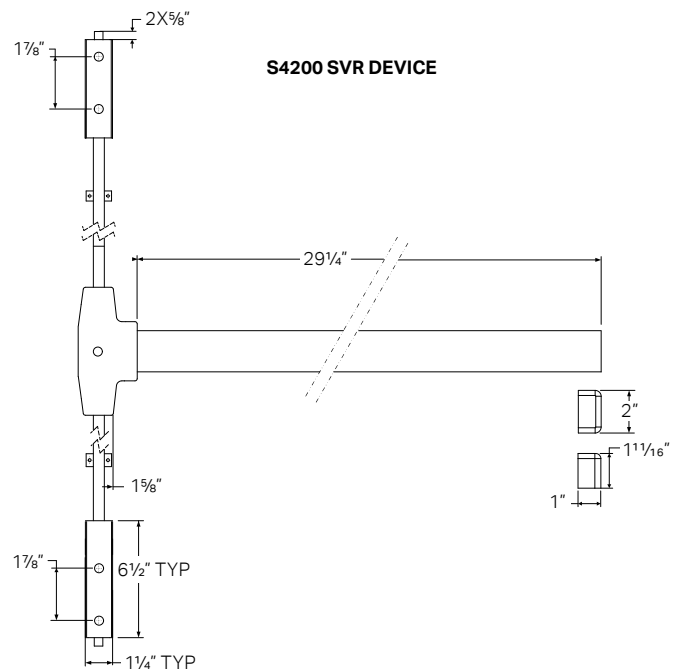
SDC SPECIFICATIONS

	S4100	S4200
Door Width	36"	36"
Door Height	—	7'0"
Door Thickness	1¾" - 2"	1¾" - 2"
Door Stile	Wide (4" Minimum)	Wide (4" Minimum)
Device Type	RIM	SVR
Handing	Non-Handed	Non-Handed
Headcover	Stainless Steel	Stainless Steel
Rail	Stainless Steel	Stainless Steel
Pushpad	Stainless Steel	Stainless Steel
Pushpad Protective Guard	Nylon 6/6 (30% Glass Fill)	Nylon 6/6 (30% Glass Fill)
End Cap	Stainless Steel	Stainless Steel
Projection	27/16" Neutral 111/16" Depressed	27/16" Neutral 111/16" Depressed
Latch	¾" Throw Stainless Steel	¾" Throw, Deadlocking (Top) ¾" Throw, (Bottom) Stainless Steel (Top & Bottom)
Deadlatch	½" Throw Stainless Steel	-----
Vertical Rods	—	Aluminum
Weight	10 lbs	11.5 lbs
Input	24 VDC ± 10%	24 VDC ± 10%
Current Draw	700 mA Inrush 200 mA Continuous	700 mA Inrush 200 mA Continuous
Request-to-Exit (REX)	SPDT 10 Amp @ 250 VAC Resistive	SPDT 10 Amp @ 250 VAC Resistive

S4100 RIM DEVICE



S4200 SVR DEVICE







CERTIFICATIONS

UL 305 Panic Hardware
ANSI/BHMA A156.3 Grade 1
UL 10C Positive Pressure Fire Tests, 3hr

HOW TO ORDER

FOLLOW STEPS 1-7 FOR ORDERING

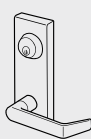
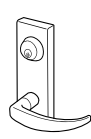

 Designates optional step

<p>1 SPECIFY DEVICE TYPE</p> <p>S4100 Rim Mount S4200 SVR Surface Vertical Rod</p> <p>2 SPECIFY FUNCTION</p> <p>01 Exit Only (No Trim) 02 Dummy Trim (No Cylinder Prep) 03 Key Retracts Latchbolt (Nightlatch) 08 Key Locks/Unlocks Lever (Classroom) 14 Lever Always Active (No Cylinder Prep)</p> <p>3 SPECIFY RATING</p> <p>P Panic-Rated Device  F Fire-Rated Device</p> <p>4 SPECIFY FINISH</p> <p>U 630 Dull Stainless </p>	<p>5 SPECIFY LENGTH</p> <p>36 36" Door Opening </p> <p>6 SPECIFY DEVICE OPTIONS</p> <p>MONITORING</p> <p>R Request-To-Exit (REX)</p> <p>APPLICATIONS</p> <p>LBR* Less Bottom Rod, Panic-Rated Devices LBRF* Less Bottom Rod, Fire-Rated Devices</p> <p><small>* For S42 SVR devices only.</small></p> <p>7 SPECIFY ELECTRIFICATION</p> <p>E Motorized Electric Latch Retraction & Dogging </p>
---	---

STEP NUMBER:	1	2	3	4	5	6	7
ORDERING EXAMPLE:	S41	01	P	U	36	R	E


RELATED PRODUCTS

COMPATIBLE TRIM*

Series	EK4	GK4	SP4
Trim Type	Mechanical	Mechanical	Mechanical
			
	Eclipse Escutcheon	Galaxy Escutcheon	Saturn Escutcheon
02 Dummy Trim	EK402U	GK402U	SP402U
03 Nightlatch	EK403U	GK403U	SP403U
08 Classroom	EK408U	GK408U	-
14 Lever Always Active	EK414U	GK414U	-

* Key cylinder not included with trim, specify separately.

KEY CYLINDERS

CYL-6KDDQ Mortise Cylinder, 6-Pin, Keyed Different 
CYL-6KAQ Mortise Cylinder, 6-Pin, Keyed Alike
RIM-CYL-KA** Rim Cylinder, 6-Pin, Keyed Alike

** For SP403U only.

REPLACEMENT STRIKES

ST41P Rim Strike, $3\frac{7}{64}$ " Projection
ST41F Rim Strike, $3\frac{7}{64}$ " Projection, Fire-Rated
ST42 SVR Top Strike, $4\frac{3}{64}$ " Projection
ST48 SVR Floor Strike, Mortise, $\frac{3}{4}$ "

REMOVABLE MULLION

KR90F*** 11 Gauge Steel, 8' x 2"

*** Key cylinder not included, specify separately.



COMPONENT CONSIDERATIONS

LOW ENERGY OPERATORS

[CLICK TO VIEW](#)



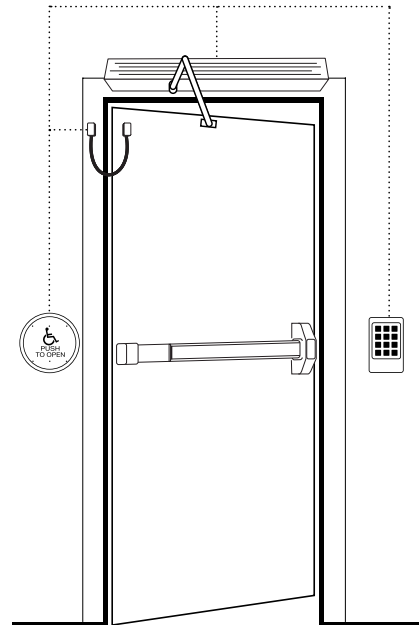
SDC's low energy swing door operators are designed for applications requiring ADA compliance, user convenience and touchless solutions. Built with a state-of-the-art microprocessor-based unit, SDC's operator is self-tuning and self-learning while offering non-handed operation, full mechanical stops and a variety of interface options for sensors, push-plates, fire alarms and electrified locks.

POWER TRANSFER

[CLICK TO VIEW](#)



From frame to door, SDC's power transfer devices provide secure, concealed or vandal-resistant means to transfer power and monitoring signals to doors equipped with electric locks and devices. SDC offers a range of proven power transfer devices including concealed mortise devices, wired door transfer hinges and wireless power transfer devices – all UL listed for 3hr Fire Rated Doors.



PUSH PLATES & TOUCH PANELS

[CLICK TO VIEW](#)



SDC's Push Plates, Actuators & Touch Panels combined with SDC's operator, bollards and locking devices allow for complete access and egress solutions for ADA compliant applications. Included are round and square Push Plates, as well as wall mount and full size Touch Panels. All types can be wireless or hardwired, bollard or wall mounted.

DOOR CONTROLS

[CLICK TO VIEW](#)



SDC's Door Control Relay Modules are used to control the operation of doors to ensure compatibility of access hardware components and simplify system installation and troubleshooting in an access control system. Different modules may be specified for one power supply.

POWER CONTROLLERS

[CLICK TO VIEW](#)



SDC's regulated and filtered DC linear power supplies have been developed specifically to support access controls and electric locking hardware. The circuitry design is ideal for the inductive loads generated by access control hardware for high performance and longevity.

KEYPADS & READERS

[CLICK TO VIEW](#)



SDC has a variety of standalone digital keypad and proximity card access control systems equipment to meet virtually any need – many now available with industry standard Wiegand 26 bit data transfer to interface with most access control signs.

