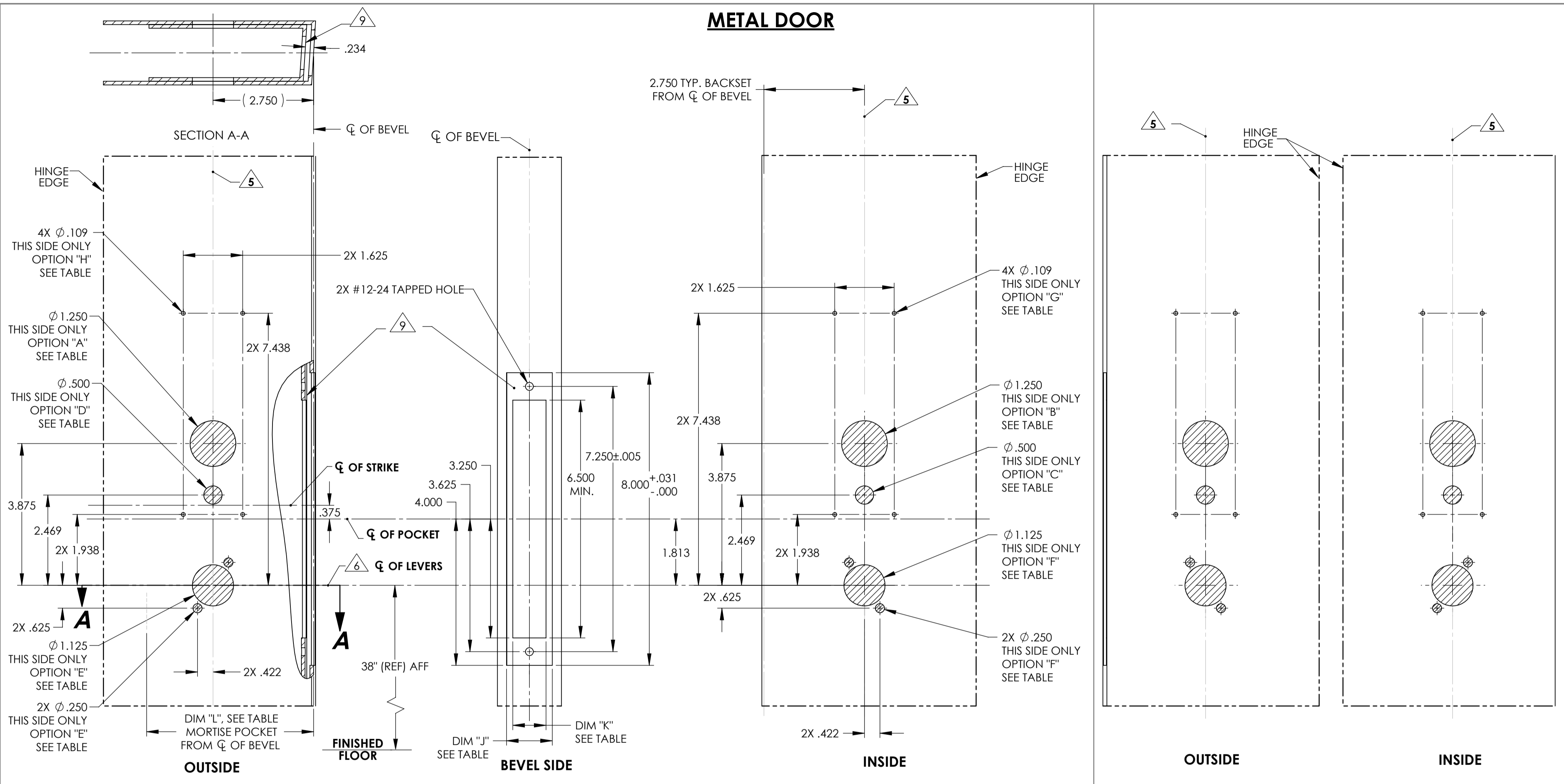
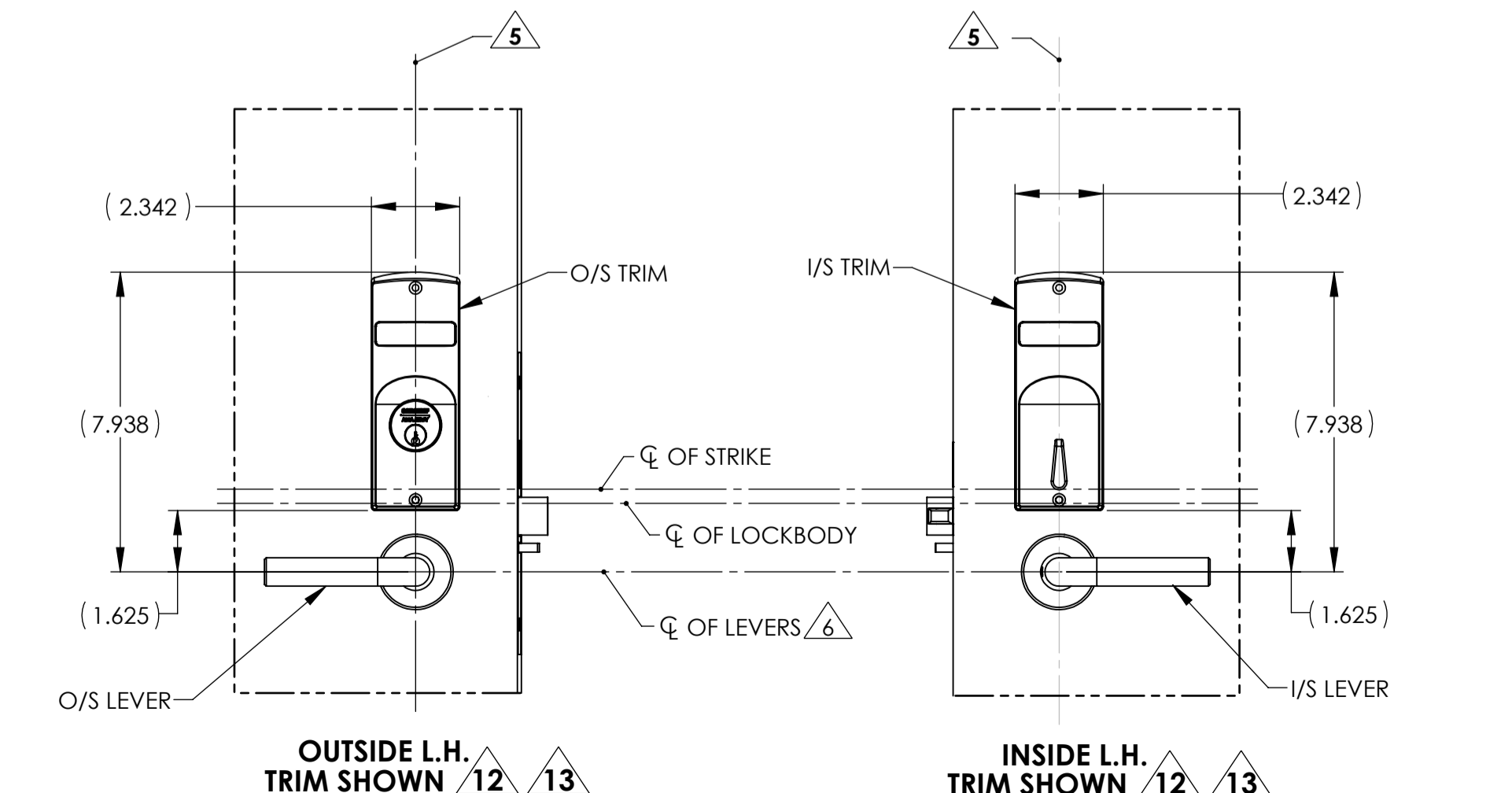


METAL DOOR

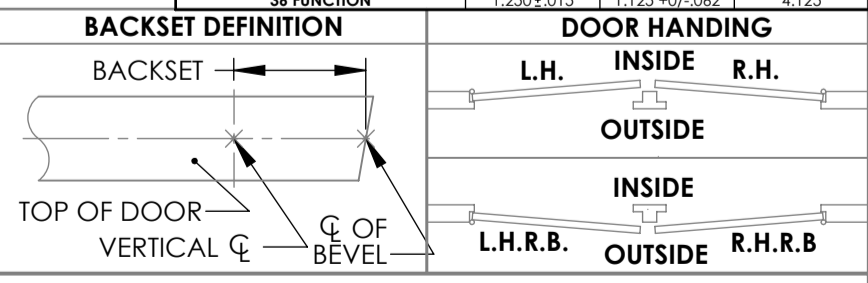


- NOTES:**
- DRAWING IS NOT TO SCALE.
 - PREPARATION DETAILS ARE IN SUPPLEMENT TO ANSI/BHMA A156.115 AND/OR A115W.
 - REFERENCE STRIKE TEMPLATE FOR DETAILS TO PREPARE FRAME.
 - FOR ELECTROLYNX APPLICATIONS, REFER TO MCKINNEY TRANSFER DEVICE CATALOG.
 - VERTICAL CENTERLINE IS REFERENCED FROM THE CENTERLINE OF THE BEVEL. (INDUSTRY STANDARD BEVEL IS 1/8 INCH IN 2 INCHES.)
 - CONSULT THE AUTHORITY HAVING JURISDICTION (AHJ) TO VERIFY THE RECOMMENDED MOUNTING HEIGHT ABOVE THE FINISHED FLOOR (AFF).
 - LIMITATIONS IN THE DOOR CONSTRUCTION PROCESS MAY REQUIRE SOME HOLES TO BE FIELD-LOCATED USING THE PHYSICAL PART AS A TEMPLATE.
 - STANDARD TOLERANCE OF $\pm .015$ APPLIES TO ALL DOOR PREPARATION REQUIREMENTS, UNLESS OTHERWISE SPECIFIED.
 - DOOR REINFORCEMENT IS RECOMMENDED TO IMPROVE (SURFACE MOUNTED) FASTENER HOLDING POWER AND CRUSH RESISTANCE (WHEN THRU-BOLTING IS EMPLOYED). CONSTRUCTION TECHNIQUES SHOULD REFLECT INDUSTRY BEST PRACTICES (I.E. WDMA, SDI) AND AUTHORIZED METHODS WHERE LABEL SERVICE (I.E. UL, W-H) IS IN EFFECT.
 - WIRE RACEWAY AREAS SHOULD BE FREE OF OBSTRUCTIONS & SHARP EDGES TO PROTECT WIRES FROM CUTS & ABRASIONS.
 - CAREFULLY NOTE WHICH FEATURES ARE OPTIONAL, (WHETHER THE FEATURE APPLIES TO BOTH SIDES OF THE DOOR AND/OR IF A DEPTH APPLIES.)
 - MAXIMUM PRODUCT DIMENSIONS ARE SHOWN FOR THE PURPOSE OF VERIFYING FITMENT WITH DOOR FRAME STOPS, DOOR STILE SIZE & LIGHT/LOUVER KITS.
 - IF OPTIONAL LEVERS OR ROSES ARE USED REFERENCE THE RELATED PRODUCT DIMENSIONS TO VERIFY THE FITMENT REQUIREMENTS.



TRIM OPTIONS TABLE							
LOCK FUNCTION	"A" O/S CYLINDER	"B" I/S CYLINDER	"C" I/S TURN	"D" O/S TURN	"E" I/S LEVER	"F" I/S INDICATOR	"H" O/S INDICATOR
05, 24, 25, 28, 43, 45, 47, 50, 51, 54, 57, 58, 67, 281	X		X		X	X	
30, 37	X				X	X	
26, 29, 38, 39, 40, 41, 46, 52	X	X			X	X	
45, 46, 48			X		X	X	
285				X	X		
21	X			X			
36	X				X		
20	X						
22	X	X					
INDICATOR OPTION (ADD HOLES)							
V ^o (INDICATOR OUTSIDE)			X	X			X
V ⁱ (INDICATOR INSIDE)			X	X		X	
V ^{o/i} (INDICATOR BOTH SIDES)			X	X		X	X
INDICATOR WINDOW OPTION CODE							

LOCK POCKET OPTIONS TABLE			
PREFIXES & FUNCTIONS	DIM "J" LOCK FRONT	DIM "K" POCKET WIDTH	DIM "L" POCKET DEPTH
STANDARD	1.250 ± 0.015	.906	4.125
1- PREFIX	1.062 ± 0.015	.906	4.125
74- PREFIX	1.250 ± 0.015	1.125	4.250
RX- PREFIX OR 281/285 FUNCTIONS	1.250 ± 0.015	1.250	4.375
36 FUNCTION	1.250 ± 0.015	1.125 ± 0.002	4.125

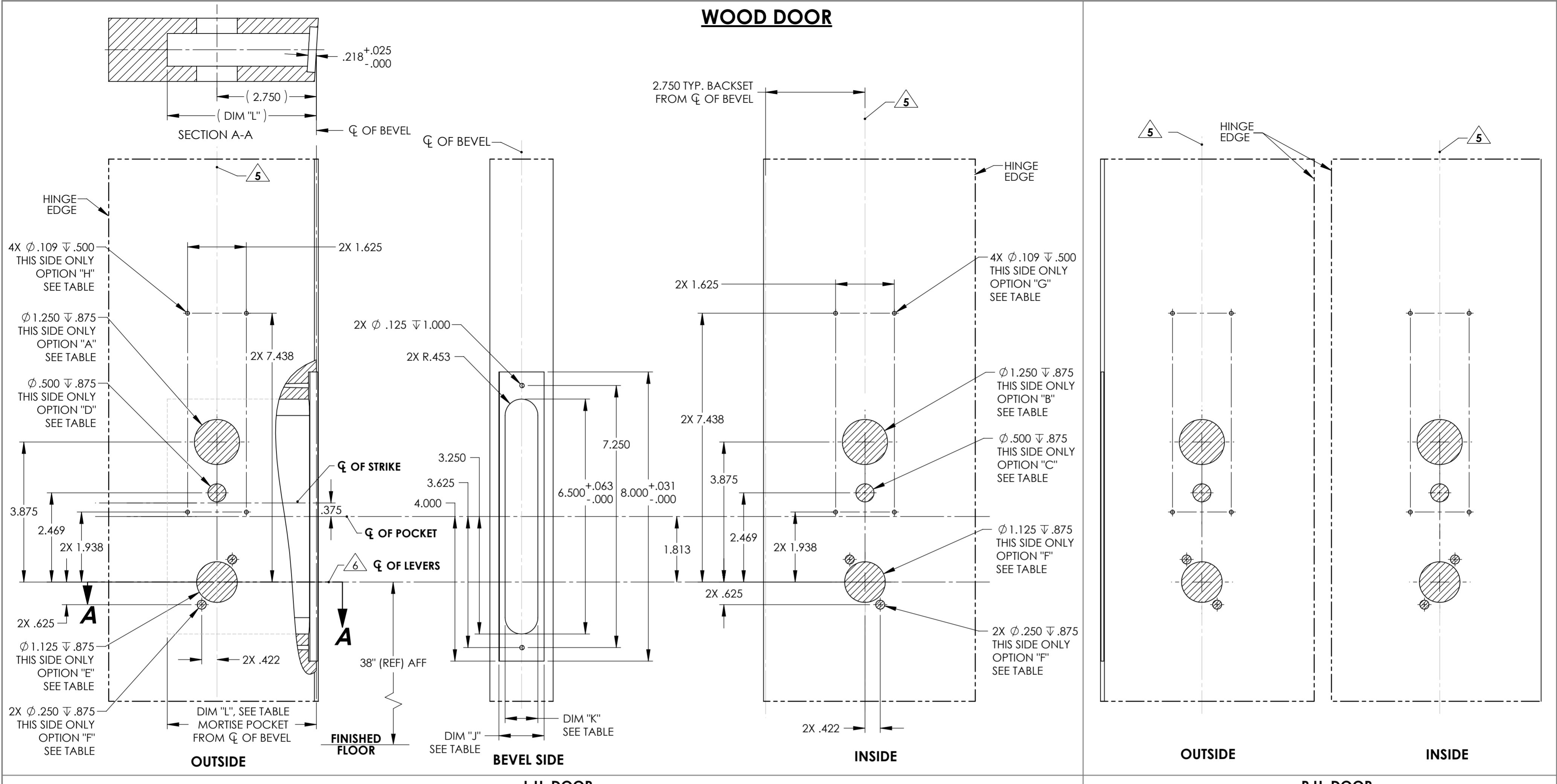


SARGENT Sargent Manufacturing Company
ASSA ABLOY 100 Sargent Drive New Haven, CT 06511

DOOR MANUFACTURERS TEMPLATE: RELEASE DATE
 SECTIONAL INDICATOR TRIM APRIL 2019
 METAL DOOR
 8200 MORTISE LOCK
 SHEET 1 OF 2

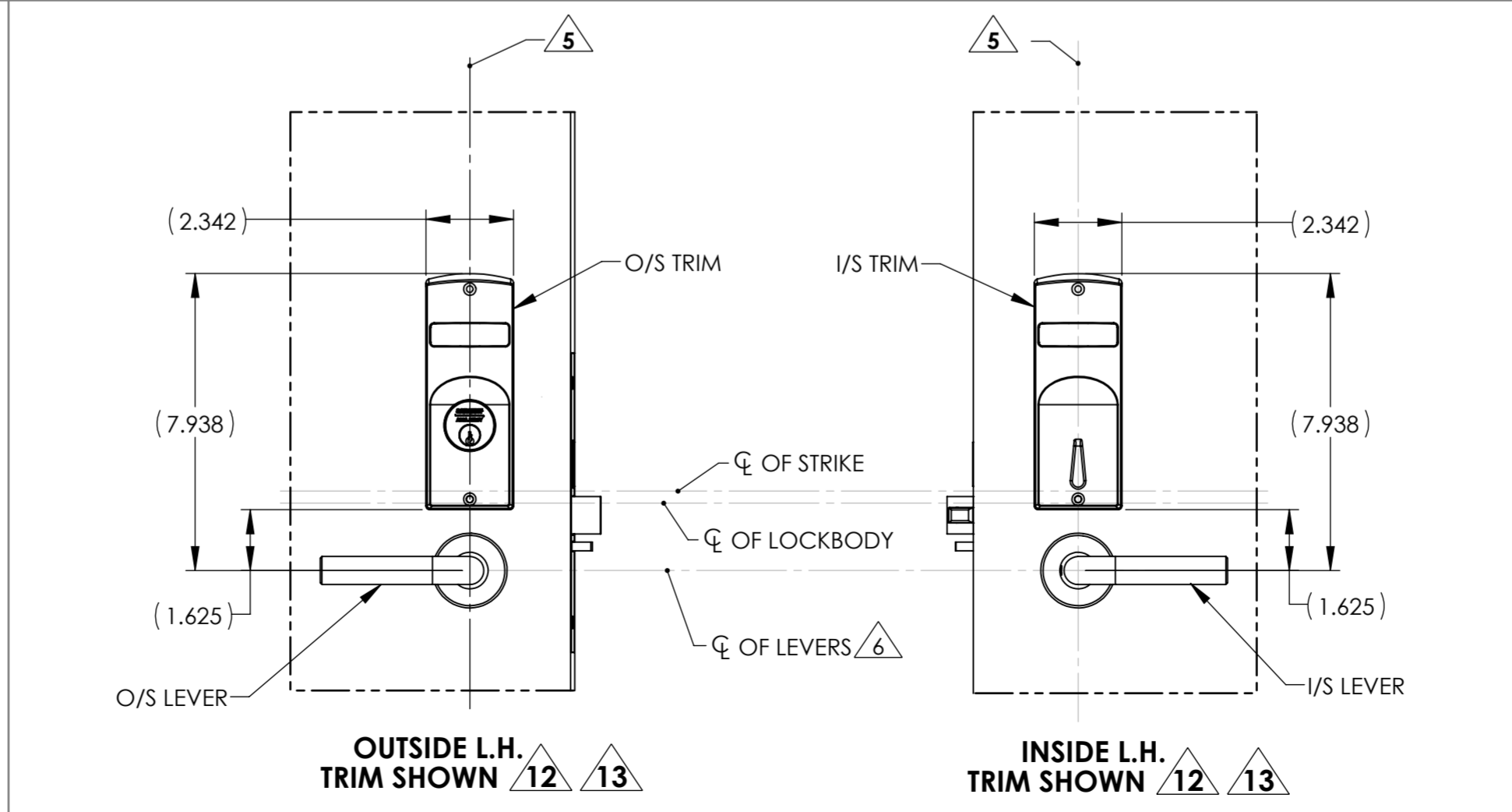
TEMPLATE NO. 4747 2

WOOD DOOR



TRIM BORDER LINE

- NOTES:**
- DRAWING IS NOT TO SCALE.
 - PREPARATION DETAILS ARE IN SUPPLEMENT TO ANSI/BHMA A156.115 AND/OR A115W.
 - REFERENCE STRIKE TEMPLATE FOR DETAILS TO PREPARE FRAME.
 - FOR ELECTROLYNX APPLICATIONS, REFER TO MCKINNEY TRANSFER DEVICE CATALOG.
 - VERTICAL CENTERLINE IS REFERENCED FROM THE CENTERLINE OF THE BEVEL. (INDUSTRY STANDARD BEVEL IS 1/8 INCH IN 2 INCHES.)
 - CONSULT THE AUTHORITY HAVING JURISDICTION (AHJ) TO VERIFY THE RECOMMENDED MOUNTING HEIGHT ABOVE THE FINISHED FLOOR (AFF).
 - LIMITATIONS IN THE DOOR CONSTRUCTION PROCESS MAY REQUIRE SOME HOLES TO BE FIELD-LOCATED USING THE PHYSICAL PART AS A TEMPLATE.
 - STANDARD TOLERANCE OF ± .015 APPLIES TO ALL DOOR PREPARATION REQUIREMENTS, UNLESS OTHERWISE SPECIFIED.
 - DOOR REINFORCEMENT IS RECOMMENDED TO IMPROVE (SURFACE MOUNTED) FASTENER HOLDING POWER AND CRUSH RESISTANCE (WHEN THRU-BOLTING IS EMPLOYED). CONSTRUCTION TECHNIQUES SHOULD REFLECT INDUSTRY BEST PRACTICES (I.E. WDMA, SDI) AND AUTHORIZED METHODS WHERE LABEL SERVICE (I.E. UL, W-H) IS IN EFFECT.
 - WIRE RACEWAY AREAS SHOULD BE FREE OF OBSTRUCTIONS & SHARP EDGES TO PROTECT WIRES FROM CUTS & ABRASIONS.
 - CAREFULLY NOTE WHICH FEATURES ARE OPTIONAL. (WHETHER THE FEATURE APPLIES TO BOTH SIDES OF THE DOOR AND/OR IF A DEPTH APPLIES.)
 - MAXIMUM PRODUCT DIMENSIONS ARE SHOWN FOR THE PURPOSE OF VERIFYING FITMENT WITH DOOR FRAME STOPS, DOOR STILE SIZE & LIGHT/LOUVER KITS.
 - IF OPTIONAL LEVERS OR ROSES ARE USED REFERENCE THE RELATED PRODUCT DIMENSIONS TO VERIFY THE FITMENT REQUIREMENTS.



TRIM OPTIONS TABLE								
LOCK FUNCTION	"A" O/S CYLINDER	"B" I/S CYLINDER	"C" I/S TURN	"D" O/S TURN	"E" I/S LEVER	"F" I/S LEVER	"G" I/S INDICATOR	"H" O/S INDICATOR
05, 24, 25, 28, 43, 45, 47, 50, 51, 56, 57, 58, 67, 281	X	X	X	X	X	X	X	X
30, 37	X				X	X		
26, 29, 38, 39, 40, 41, 46, 52	X	X			X	X		
65, 66, 68			X	X	X	X		
285			X		X	X		
21	X							
36	X				X			
20	X							
22	X	X						
INDICATOR OPTION (ADD HOLES)								
V* Ø (INDICATOR OUTSIDE)								
VØ (INDICATOR INSIDE)								
V** (INDICATOR BOTH SIDES)								
* INDICATOR WINDOW OPTION CODE								
LOCK POCKET OPTIONS TABLE								
PREFIXES & FUNCTIONS	DIM "J" LOCK FRONT	DIM "K" POCKET WIDTH	DIM "L" POCKET DEPTH					
STANDARD	1.250±0.015	.906	4.125					
1- PREFIX	1.062±0.015	.906	4.125					
74- PREFIX	1.250±0.015	1.125	4.250					
RX- PREFIX OR 281/285 FUNCTIONS	1.250±0.015	1.250	4.375					
36 FUNCTION	1.250±0.015	1.125+07-.062	4.125					

BACKSET DEFINITION		DOOR HANDING		
BACKSET		L.H.	INSIDE	R.H.
			OUTSIDE	
			INSIDE	
		L.H.R.B.	OUTSIDE	R.H.R.B.

SARGENT ASSA ABLOY Sargent Manufacturing Company
 100 Sargent Drive New Haven, CT 06511

DOOR MANUFACTURERS TEMPLATE: SECTIONAL INDICATOR TRIM WOOD DOOR 8200 MORTISE LOCK

RELEASE DATE: APRIL 2019
 TEMPLATE NO. 4747 2

SHEET 2 OF 2