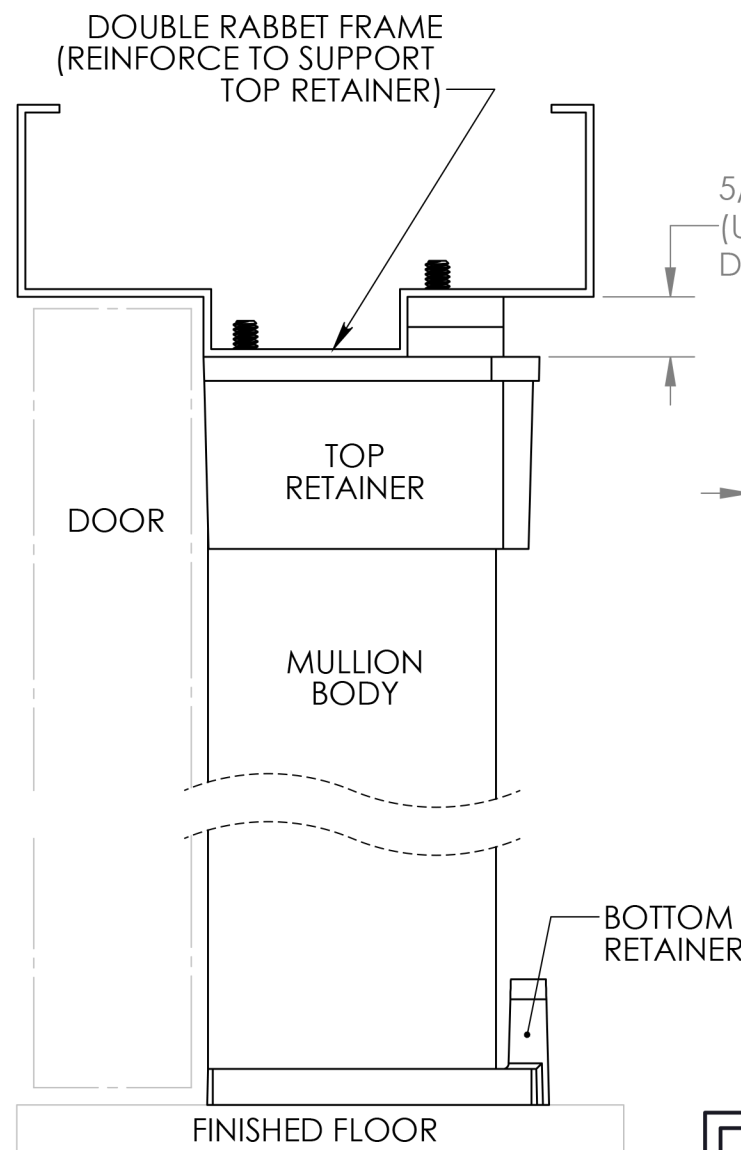
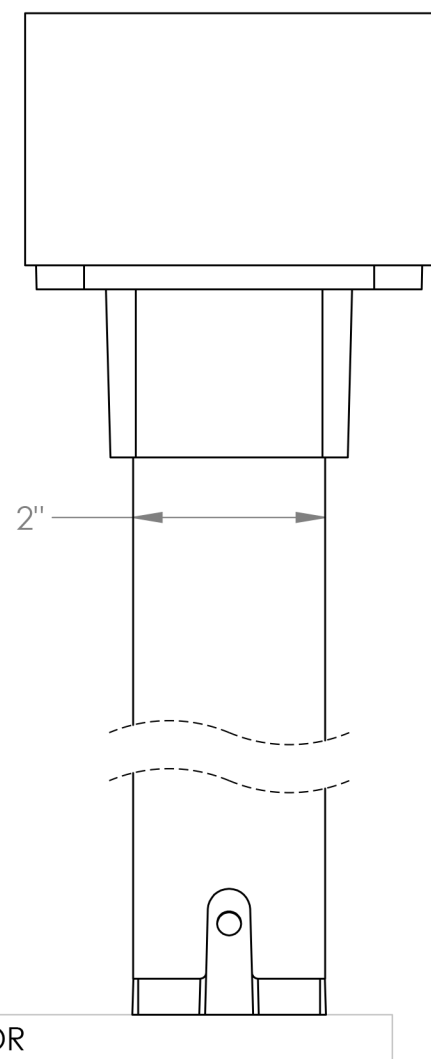
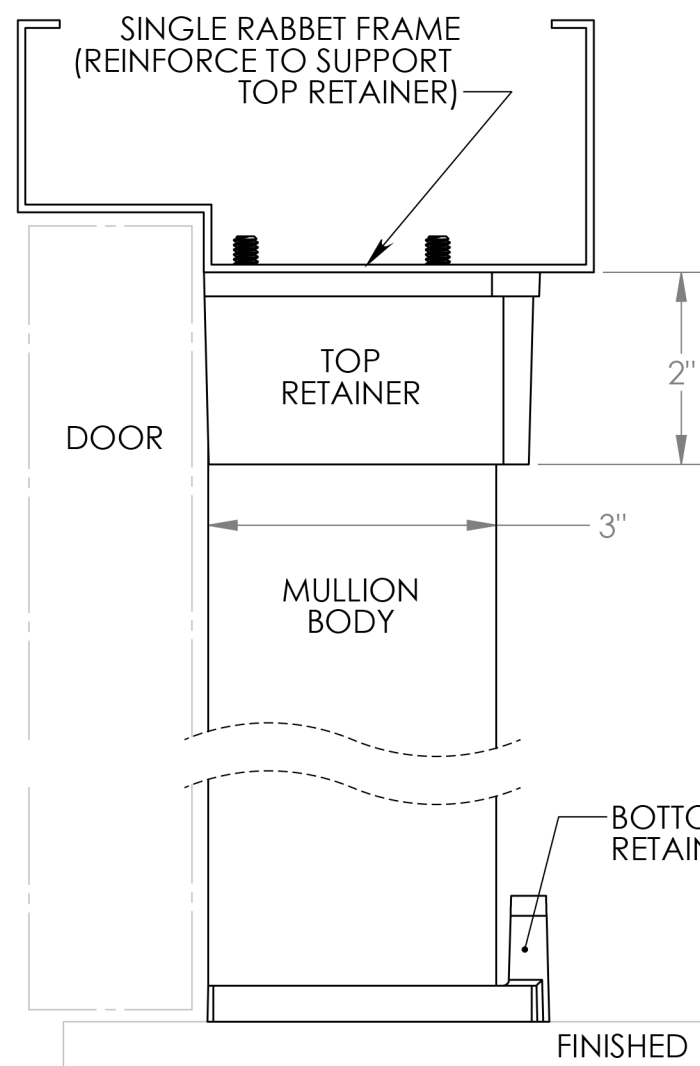
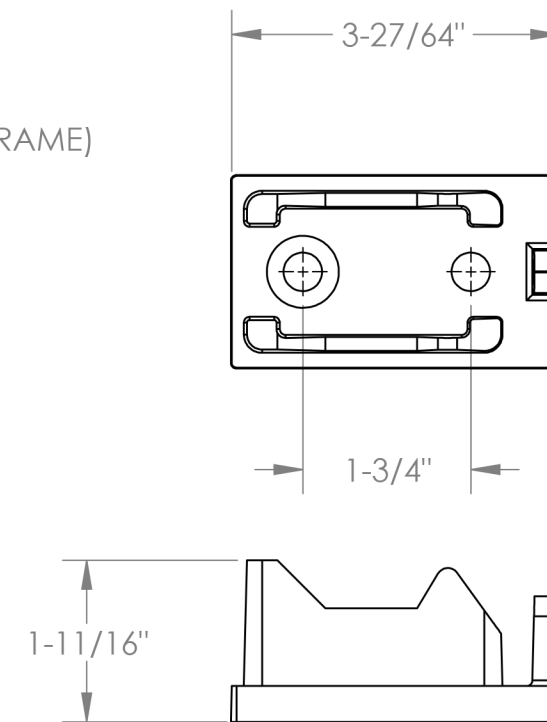
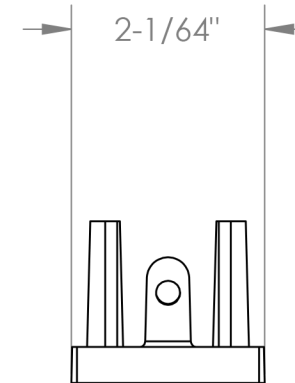


TOP VIEW OF TOP RETAINER



5/8" STOP HEIGHT (USE SHIM KIT FOR DOUBLE RABBET FRAME)



BOTTOM RETAINER

DOUBLE RABBET FRAME SHOWN

- NOTES:
1. FRACTIONAL DIMENSION TOLERANCE $\pm 1/64"$.
 2. MOUNTING HOLES TO BE PREPARED AT INSTALLATION.

SARGENT Manufacturing Company
 100 Sargent Drive New Haven, CT 06511

METAL FRAME TEMPLATE FOR MULLIONS
 12-980, 12-L980, 980S
 L980S & EL980

RELEASE DATE
 1 DEC 2019
 TEMPLATE NO.
 4206-7