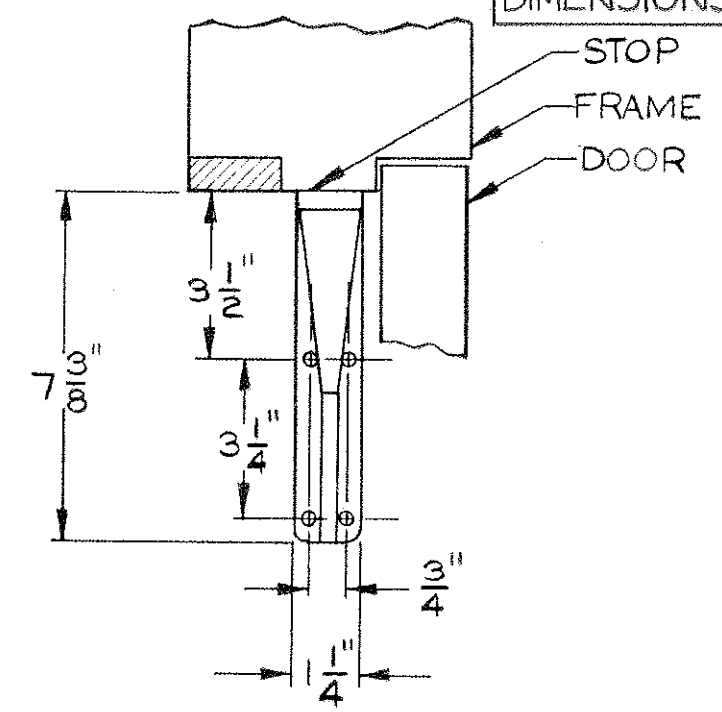
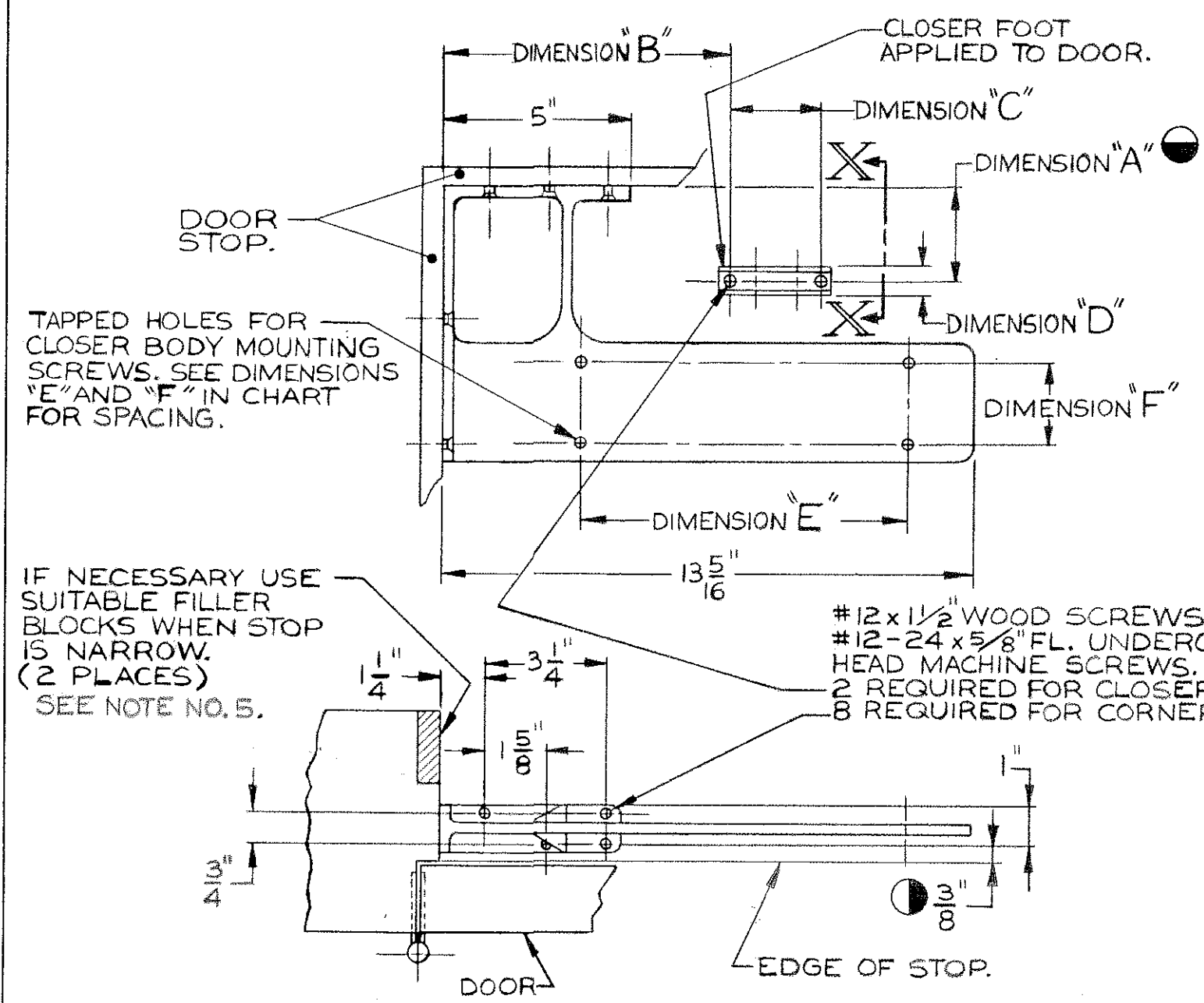


DESCRIPTION	ARM TYPE	DIM. "A"	DIM. "B"	DIM. "C"	DIM. "D"	MAX. DOOR OPENING	HOLD OPEN RANGE
WITHOUT HOLDER	O	2 1/4"	7 13/16"	2"	1 1/16"	180°	
90° HOLD OPEN FUSIBLE LINK. ⊕	F	2"	7 13/16"	2"	1 1/16"	180°	75°-110°
90°-180° HOLD OPEN	H	2 1/4"	7 13/16"	2 1/2"	1 1/8"	180°	80°-180°

CLOSER SERIES	CORNER BRACKET NUMBER	DIMENSION "E"	DIMENSION "F"
281	281-W	8"	2 3/8"
1430	1430-W	11 1/8"	1"

FOR REFERENCE ONLY: DIMENSIONS "E" AND "F" MAY BE USED TO IDENTIFY BRACKET. ALL OTHER DIMENSIONS ARE THE SAME FOR ALL BRACKETS.



IMPORTANT (TYPE "H" ARM ONLY) POSITION FOOT ASSEMBLY WITH ADJUSTABLE HOLD OPEN NUT AT TOP FOR RIGHT HAND OPERATION SHOWN. FOR LEFT HAND OPERATION, HOLD OPEN NUT MUST BE AT BOTTOM.

HOLD OPEN NUT - A SLIGHT TIGHTENING OR LOOSENING OF HOLD OPEN NUT CHANGES HOLDING POSITION OF DOOR.

SECTION X-X
(DOOR ONLY)

- ② - SUITABLE REINFORCEMENT REQUIRED FOR METAL DOORS AND FRAMES.
- ⊕ FUSIBLE LINK ARM IS HANDED AND MUST BE OPPOSITE THE HAND OF DOOR.
- ① - RIGHT HAND HOLDER ARM ASSEMBLY REQUIRED FOR LEFT HAND DOOR SHOWN. (250 CLOSER ONLY: BODY ASSEMBLY IS ALSO HANDED)

- ⑤ - OPTION: CORNER BRACKET MAY BE MOUNTED USING DATA SHEET A6439 WHEN STOP IS NARROW.
- ④ - THIS DIMENSION MAY BE REDUCED TO 1 3/4" MINIMUM FOR DOOR WITH NARROW TOP RAIL.
- ③ - THIS DIMENSION MUST BE 1/4" IF STOP WIDTH IS 1 1/4".

SARGENT & COMPANY NEW HAVEN, CONN. 06509

DATA SHEET: 281, 1430 DOOR CLOSERS WITH TYPES O, F, & H ARMS ON CORNER BRACKET.

RELEASE DATE: 23 SEPT 82

TEMPLET NO. A6206 D