

**ORBITA TECHNOLOGY CO., LTD.**

**PROFESSIONAL & INNOVATIVE**

**Nancy Qiu-oversea sales, [Sales3.hz@orbitatech.com](mailto:Sales3.hz@orbitatech.com), [www.orbitatech.com](http://www.orbitatech.com)**

## S3074 Hotel Lock SPLIT design

- \* 304 stainless steel panel and handles
- \* 10 years color warrantee
- \* Three-piece design

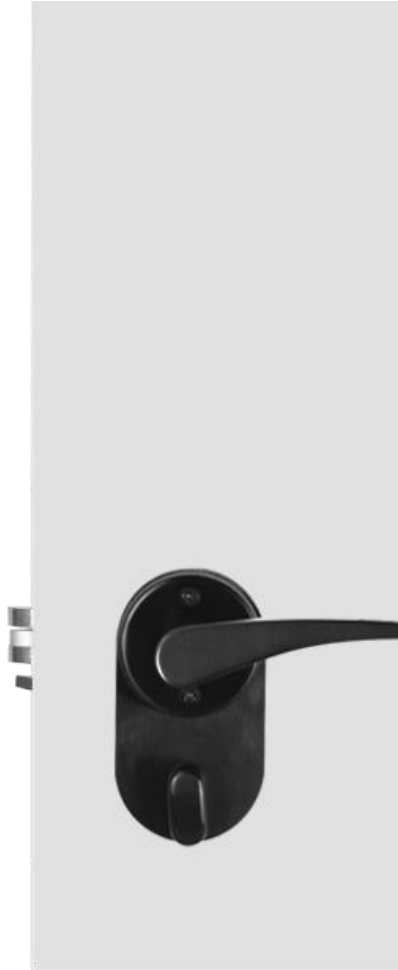
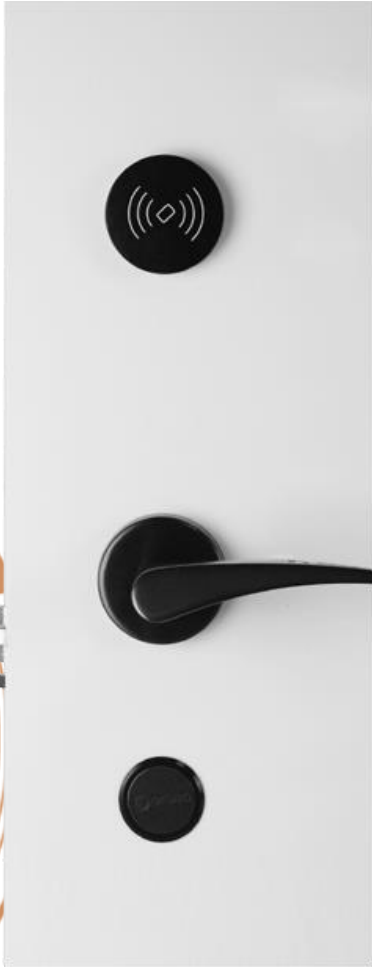


# Main Features & Function



- Unlock with Mifare card and key override
- 304 Stainless Steel panel and handles
- 5 latch ANSI U.S. standard mortise
- 4 pc AA Cell, minimum 12 months lifespan.
- Low Voltage warning.
- Mifare Technology
- Classified Access Authorization
- General Master, Building master, Emergency card, House Keeping card...
- Lost card suspension.
- Common door function like Swimming pool, Gym, fitness center.
- Meeting room function
- 210 pcs opening records

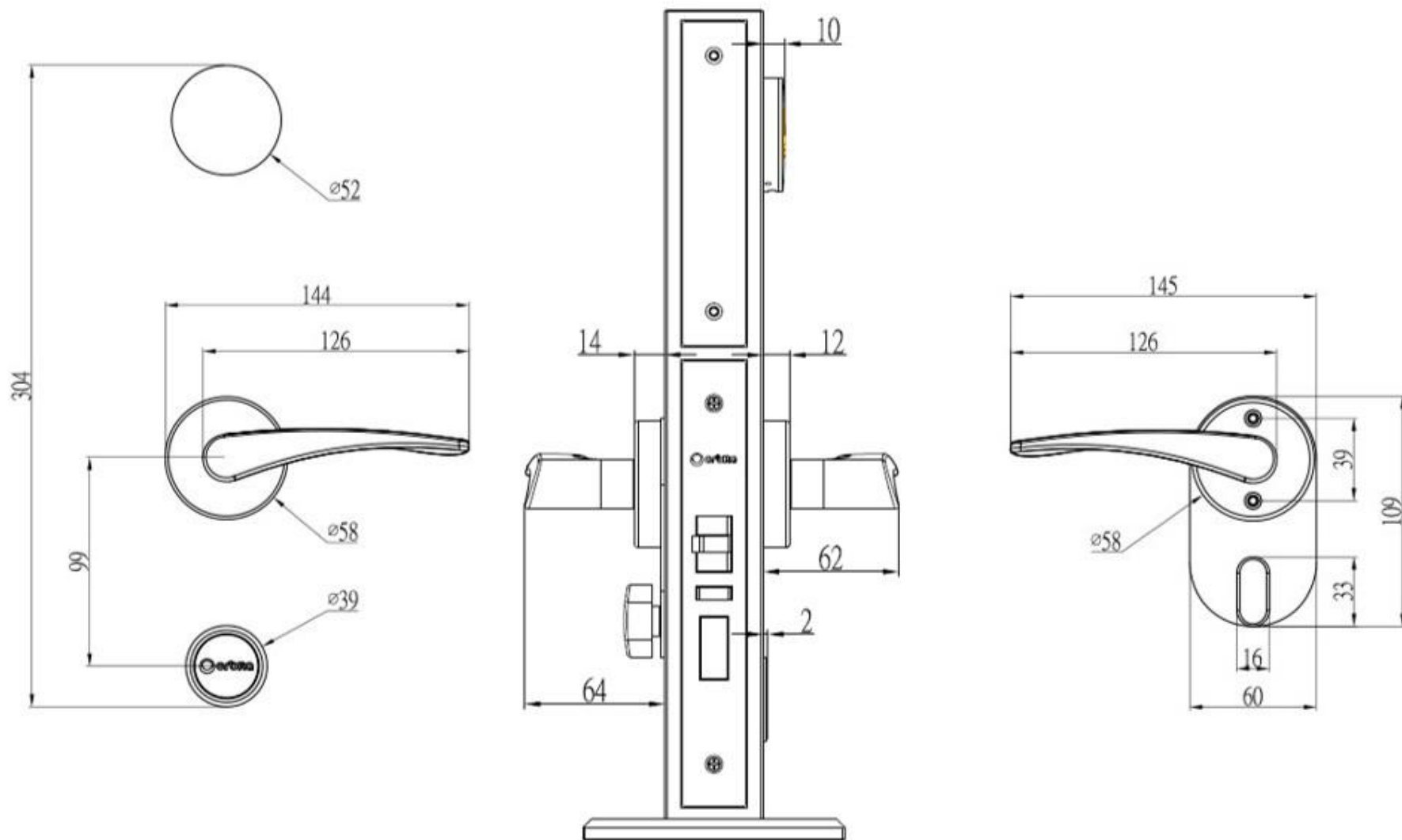




# Lock Picture



# Lock Dimension



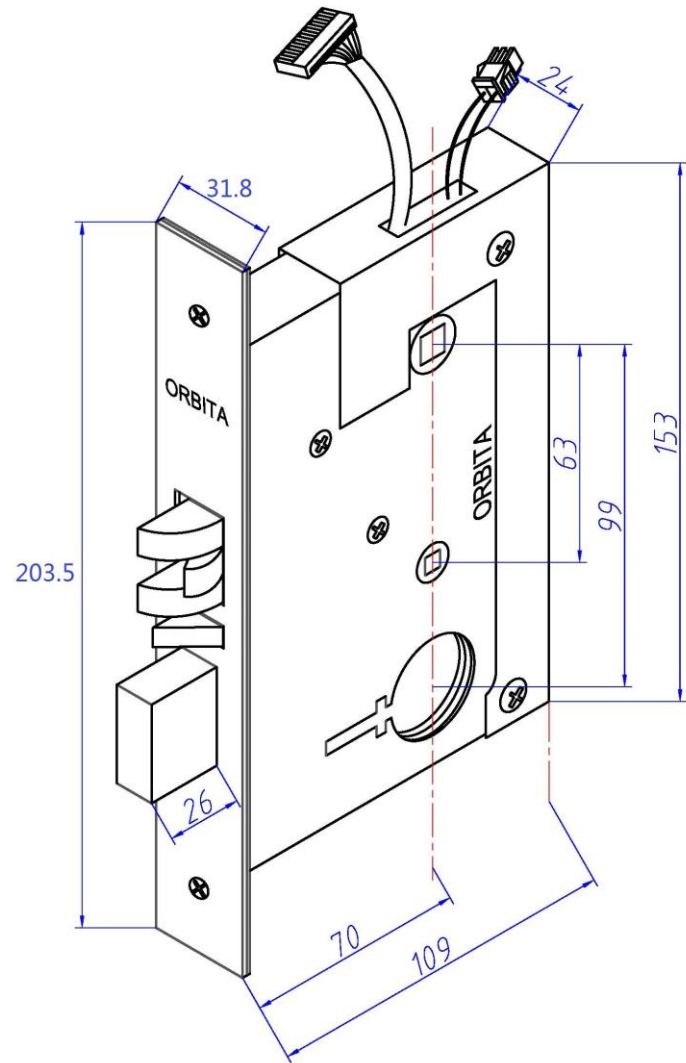
**FRONT**

**SIDE**

**BACK**

# Mortise

Mortise size(MM):



ANSI mortise, five latch, deadbolt  
last more than 800,000 circles;

# Certificate: CE, FCC, FIDELIO, ISO



SEM.Test Compliance Service Co., Ltd.  
3/F, Jinbao Commerce Building, Xin'an Fanshen Road,  
Bao'an District, Shenzhen, P.R.C. (518101)

**CERTIFICATE OF CONFORMITY**

Certificate No.: SEM13066339

The following product has been tested by SEM.Test Compliance Service Co., Ltd. with the listing standards and found in conformity with the EC Council Directive of 2004/108/EC. It is possible to use CE marking to demonstrate the conformity with this EMC Directive.

Report No. : STR13068228E

**Applicant** : ORBITA TECHNOLOGY CO.,LTD.  
**Address** : Bldg B8, Xiufeng Industrial Zone, Buji, Longgang District, Shenzhen, China.  
**Manufacturer** : ORBITA TECHNOLOGY CO.,LTD.  
**Address** : Bldg B8, Xiufeng Industrial Zone, Buji, Longgang District, Shenzhen, China.

**Description of Product** : RF Card Lock  
**Model No.** : E3010S, E3110S, E3060S, E3180S, E3011S, E3111S, E3090, E3190, E3030, E3330, E3031, E3131, E3041, E3141, E3091, E3191, E3033, E3333, E3050, E3350, E3021, E3121, F3020, F3120, F3220, F4020, E3070, E3370, E3060Z, E3180W, E3081Z, E3161Z, S3062Z, S3162Z, S3032, S3132, S3072H, S3172H, E3081, E3181.

**Trade Name** : ORBITA  
**Test Standards** : EN 55022:2010  
EN 55024:2010

The referred test report(s) show that the product complies with the essential requirements in the above listed standards. The applicant is authorized to use this certificate in connection with the EC declaration of conformity according to Annex 1 of the Directive.

**CE**

**Test Laboratory**  
SEM.Test Compliance Service Co., Ltd.  
3/F, Jinbao Commerce Building, Xin'an Fanshen Road,  
Bao'an District, Shenzhen, P.R.C.  
Date of Issue: 2013-02-21, 2013

This certificate of conformity is based on a single evaluation of the submitted sample(s) of the above mentioned product. It does not imply an assessment of the whole production and other relevant Directives have to be observed.

Tel.: +86-755-3366339 Fax: +86-755-3366339 E-mail: sem@semtest.com.cn Website: www.semtest.com.cn

**VERIFICATION OF CONFORMITY**  
According to FCC Part 15B

Certificate No.: SEM13066069

**Responsible Party's Name** : ORBITA TECHNOLOGY CO.,LTD.  
**Address** : Bldg B8, Xiufeng Industrial Zone, Buji, Longgang District, Shenzhen, China.  
**Manufacturer** : ORBITA TECHNOLOGY CO.,LTD.  
**Address** : Bldg B8, Xiufeng Industrial Zone, Buji, Longgang District, Shenzhen, China.

**Description of Product** : RF Card Lock  
**Model No.** : E3010S, E3110S, E3060S, E3180S, E3011S, E3111S, E3090, E3190, E3030, E3330, E3031, E3131, E3041, E3141, E3091, E3191, E3033, E3333, E3050, E3350, E3021, E3121, F3020, F3120, F3220, F4020, E3070, E3370, E3060Z, E3180W, E3081Z, E3161Z, S3062Z, S3162Z, S3032, S3132, S3072H, S3172H, E3081, E3181.

**Trade Name** : ORBITA  
**Report No.** : STR13068228E-3

**Compliance With Part 15B of FCC Rules.**  
This device complies with Part 15 of the FCC Rules. Operation is subject to the following two conditions: (1) This device may not cause harmful interference, and (2) This device must accept any interference received, including interference that may cause undesired operation.

**Responsible Party:** \_\_\_\_\_ **Tested By:** \_\_\_\_\_

**SEM.Test Compliance Service Co., Ltd.**  
3/F, Jinbao Commerce Building, Xin'an Fanshen Road,  
Bao'an District, Shenzhen, P.R.C.

**Responsible Signature:** \_\_\_\_\_ **Issued By:** \_\_\_\_\_

**Name / Title:** \_\_\_\_\_ **Name / Title:** \_\_\_\_\_

**Date:** \_\_\_\_\_ **Date of Issue:** \_\_\_\_\_

The Certification of Verification shows that the tested sample technically complies with the FCC Part 15. The certification applies to the tested sample above mentioned only and should not implied an assessment of the whole.

Tel.: +86-755-3366339 Fax: +86-755-3366339 E-mail: sem@semtest.com.cn Website: www.semtest.com.cn

Certificate CN1920257

**SGS**

The management system of  
**Shenzhen Orbita Technology Co., Ltd.**  
6/F Floor, Bldg. A3, Xiu Feng Industrial Zone, Longgang District, Shenzhen City, Guangdong Province, P.R. China

has been assessed and certified as meeting the requirements of  
**ISO 9001:2008**

For the following activities  
**Design and assembly of intelligent door locks, digital safes**

Further certification regarding the scope of the certificate and the applicability of ISO 9001:2008 requirements may be obtained by contacting the organization

This certificate is valid from 11 February 2010 until 10 February 2013 and remains valid subject to satisfactory surveillance audits. The certification audit due before 29 January 2013 Issue 1. Certified with SGS since February 2010

Authorized by

**LUKAS**  
LUDWIG KASCHER  
020

SGS China Region Ltd. Beijing 5, Section 2, Capital Building, Business Bureau Park, Shijiazhuang Park, Chaoyang District, 100020, P.R. China  
E-mail: china@sgs.com.cn Tel: +86 10 5081 1111

SGS 9001-01-1308  
Page 1 of 1

**SGS**

**micros** Certificate

**Orbita Technology** **INTERFACE**

This document provides written confirmation that your interface software ORBITA, has been approved by MICRO-S-Fidelio and is available for installation. The interface is listed to our price list, which contains all interfaces worldwide and is distributed to all our offices and dealers.

<b>Product Name:</b>	Orbita Technology
<b>Interface Type:</b>	KISS
<b>Low-level protocol:</b>	Full Duplex
<b>Transport Layer:</b>	TCP/IP
<b>FKT Logo:</b>	ORF
<b>MF Part no.:</b>	5005-104
<b>Fidelio Protocol Driver:</b>	FMS 2.1.1

The approval covers the following functionality of your software:

- Key Request (New Key, Duplicate Key)
- Key Delete

The interface is available with the following MICRO-S-Fidelio PMS versions:

- Suite8 PMS version 8.6.x onwards
- OPERA Suite PMS version 4.0.04.x onwards
- OPERA Suite PMS version 5.0.x
- Fidelio Front Office 6.20 / Suite7.14.x

We are looking forward to continue a successful business relationship with your company.

Yours sincerely,  
MICRO-S-FIDELIO GmbH  
January 03, 2011

**micros** | **FIDELIO** Tel.: +49 291 120400 Fax: +49 291 120400

# FIDELIO/OPERA



## Orbita Hotel Locking System



- Step by step user friendly software
- Software operation records.
- Classified operating authorization.
- Download the lock opening records.
- Support Winxp,win7, win8, vista.
- Support 32/64 digit system.
- Interface with major PMS, FIDELIO/OPERA listed.
- Suspend lost card, blacklist certain users.



- Wireless
- Program lock
- Read & update lock time
- Download & read Events
- Open lock as master key

# Manufacturing facility



# Manufacturing facility



# Hotel references



More than 10,000 hotels ranging from 3 to 5 star,  
covering 100 countries, using Orbital hotel products.

Accor Group: Novotel, Ibis,  
Hop inn, 22 hotels, 2014-2015



Novotel Comcala Beach,  
Phuket, thailand 180 rooms