

SECURAM PROLOGIC SMART



ProLogic SMART Safe Lock

The ProLogic SMART Safe Lock is the industry's only electronic safe lock that allows remote control and management right from your Smartphone. Once paired with our SECURAM App, the ProLogic SMART Safe Lock can be controlled from anywhere. Open your safe, receive alerts, change your code, add users, view audit events right on your SECURAM app.

Simple to Use • Reliable

At your safe, enter your 6 digit code and turn the safe handle. That's it. With the SECURAM App, enter the code on the App and click open. The safe lock will automatically be opened for immediate access right from your Smartphone. ProLogic SMART Safe Lock allows you to change codes, delete or add User codes, see audit events, and sends alerts. True remote capability.

ProLogic SMART Safe Lock connects to your home wireless network allowing you remote control and management across the internet. Every SECURAM lock undergoes a 2,000 cycle quality management program before it leaves the manufacturing facility. Unprecedented commitment to quality and reliability.

Features

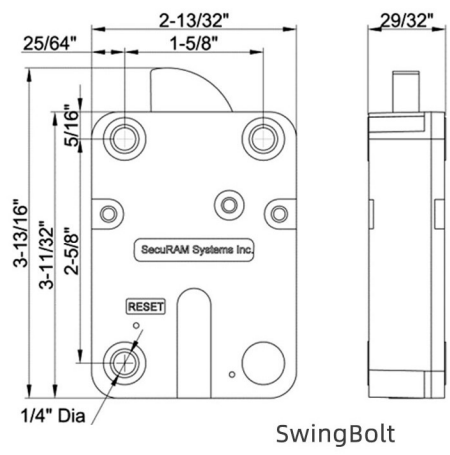
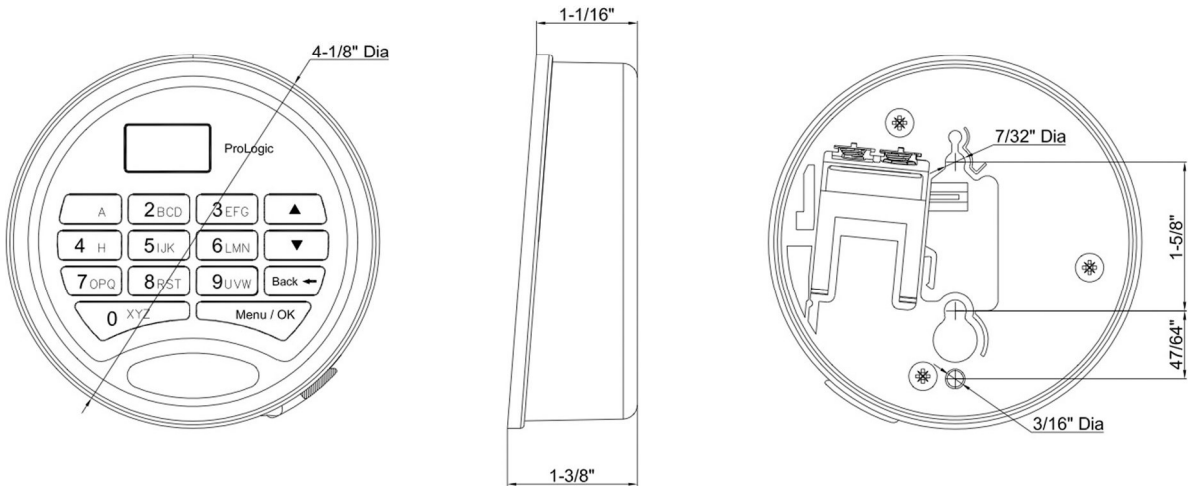
- 3 Codes: 2 Manager Codes and 1 User Code
- Super Code for management and control
- Connect to your home Wireless network using our SmartHub
- Remote control and management using SECURAM App
- Remote open*
- Add and Delete Users remotely*
- Push Notifications*
- Send time-based One Time Use guest codes
- Color OLED Screen provides user feedback makes programming simple
- SureLock Battery Management is standard; AC power optional
- Standard footprint and mounting pattern, easy retrofit for any mechanical or electronic safe lock
- Finishes available: Chrome
- Can be paired with any SECURAM motorized safe lock bodies

*For smart safe lock remote service a smart hub is required. Remote service fee applies; \$3.99 per month or \$39.99 annually- this is an in-app purchase. Remote service can be cancelled at any time.

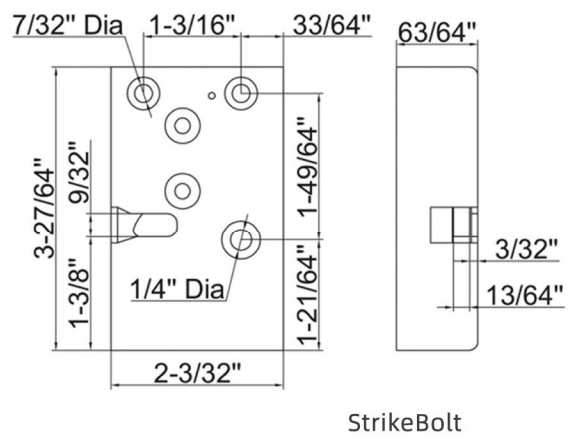


SECURAM app & Smart Hub

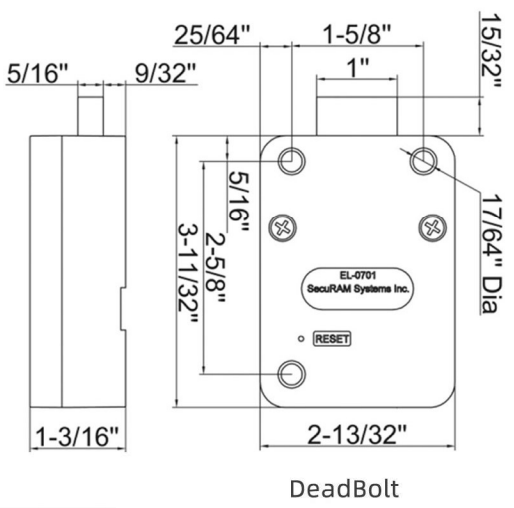
SECURAM



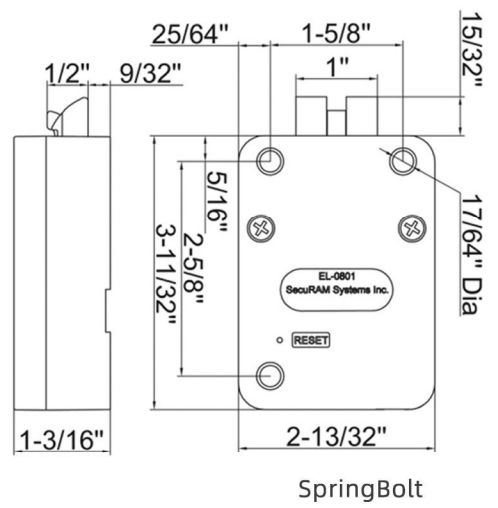
SwingBolt



StrikeBolt



DeadBolt



SpringBolt

Specifications

Power Supply	(1) 9V Alkaline Battery (Duracell)
Battery Life Span	About one year
Code Length	6 Digits
Standby Current	<50uA
Battery Low Voltage	5.4+/-0.2V
Operating Humidity	90% Maximum

