

Outdoor No-Touch Request-to-Exit Sensors

- SD-9163-KSQ** *Slimline, English*
- SD-9163-KS1Q** *Slimline, Spanish*
- SD-9163-KSVQ** *Slimline, English, Manual Override*
- SD-9263-KSQ** *Single-Gang, English*
- SD-9263-KS1Q** *Single-Gang, Spanish*
- SD-9263-KSVQ** *Single-Gang, English, Manual Override*

Features:

- Weather-resistant (IP65)* for outdoor use
- Clean and simple no-touch operation reduces the risk of cross-contamination
- Adjustable sensor range up to 7" (18cm)
- Stainless steel plate, available in slimline or single-gang
- 1.2A relay, adjustable trigger duration 0.8~30 seconds
- Selectable LED colors (turns from red to green or green to red) to show if the sensor is activated

SD-9163-KSVQ and SD-9263-KSVQ only:

- Manual override button functions without electricity in case of power failure

SD-9163-KS1Q and SD-9263-KS1Q only:

- Screen printed with "SALIDA" and "SIN TOCAR"



SD-9163-KS1Q



SD-9163-KSVQ



SD-9263-KS1Q

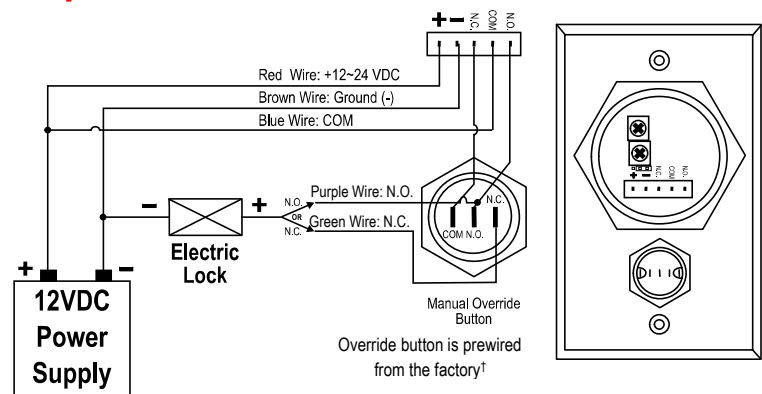


SD-9263-KSVQ

Specifications:

| | | |
|-----------------------|-------------|--|
| Operating voltage | | 12~24 VDC |
| Power consumption | Standby | 16mA@12VDC / 25mA@24VDC |
| | Triggered | 20mA@12VDC / 32mA@24VDC |
| Relay type | | Form C dry contact, 1.2A@24VDC |
| Response time | | 10mS |
| Output time | | 0.8~30s, toggle |
| Range | | 2"~7" (5~18cm) |
| IP Rating | | IP65* |
| Operating temperature | | -4°~131° F (-20°~55° C) |
| Dimensions | Slimline | 1 1/2"x4 1/2"x1 1/2" (39x115x39 mm) |
| | Single-gang | 2 3/4"x4 1/2"x1 1/2" (70x115x39 mm) |

Sample Installation:



*When properly installed. Models with manual override buttons are not weather-proof.

†SD-9163-KSVQ and SD 9263-KSVQ only

SECO-LARM® U.S.A., Inc.

16842 Millikan Avenue, Irvine, CA 92606

Phone: (949) 261-2999 | (800) 662-0800 Fax: (949) 261-7326

Website: www.seco-larm.com Email: sales@seco-larm.com



Copyright © 2020 SECO-LARM U.S.A., Inc. All rights reserved.

All trademarks are the property of SECO-LARM U.S.A., Inc. or their respective owners. The SECO-LARM policy is one of continual development. For that reason, SECO-LARM reserves the right to change prices and specifications without notice. SECO-LARM is not responsible for misprints.

SECO-LARM® ENFORCER® CRIMEBUSTER® CBA® SLI®

PL_SD-9x63-KSxQ_200122.docx