

## 50ft Reflective Photoelectric Beam Sensor

**E-931-S50RRGQ** Range: Up to 50ft (15m)



### Features:

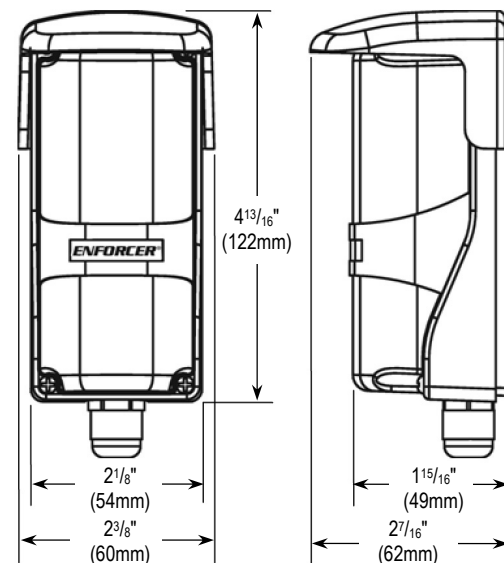
- Up to 50ft (15m) range
- For outdoor gates, garage doors, etc.
- Weatherproof (IP55) construction for indoor/outdoor use
- Anti-condensation housing
- Dual-color LED alignment system
- Form C relay: 500mA@30VAC/VDC
- Tamper switch: N.C. 500mA@30VAC/VDC
- 3 1/4" (82mm) Round reflector with hood included
- Compact size
- Monitored output:
  - N.C.
  - 10k Ω Resistor



### Specifications:

|                       |   |                                    |
|-----------------------|---|------------------------------------|
| <b>Model</b>          | <b>E-931-S50RRGQ</b>  |                                    |
| Type                  | Reflective Photoelectric Beam Sensor                                    |                                    |
| Sensing Range         | 50ft (15m)  |                                    |
| Operating Voltage     | 12-30V DC/AC 60Hz, 100mA  |                                    |
| Current draw          | Standby   | 55mA@12VDC                         |
|                       | Active  | 40mA@12VDC                         |
| Response time         | 10ms  |                                    |
| Light source          | IR LED  |                                    |
| LED                   | Solid green   | Good beam signal, properly aligned |
|                       | Alternating flash   | Poor beam signal                   |
|                       | Solid red   | No beam signal, triggered          |
| Trigger Output        | SPDT Relay output (NO/NC/COM, with built-in 10kΩ resistor on NO output) |                                    |
| Switching capacity    | 500mA@30VAC/VDC   |                                    |
| Tamper switch         | 500mA@30VAC/VDC   |                                    |
| IP Rating             | IP55  |                                    |
| Operating temperature | -13°~140°F (-25°~60°C)  |                                    |

### Dimensions:



**SECO-LARM® U.S.A., Inc.**

16842 Millikan Avenue, Irvine, CA 92606

Phone: (949) 261-2999 | (800) 662-0800 Fax: (949) 261-7326

Website: [www.seco-larm.com](http://www.seco-larm.com) Email: [sales@seco-larm.com](mailto:sales@seco-larm.com)



Copyright © 2019 SECO-LARM U.S.A., Inc. All rights reserved.

All trademarks are the property of SECO-LARM U.S.A., Inc. or their respective owners. The SECO-LARM policy is one of continual development. For that reason, SECO-LARM reserves the right to change prices and specifications without notice. SECO-LARM is not responsible for misprints.

**SECO-LARM® ENFORCER® CRIMEBUSTER® CBA® SLI®**

PL\_E-931-S50RRGQ\_191115.docx