

### Retro-Reflective Photoelectric Beam Sensor

**E-936-S45RRGQ**

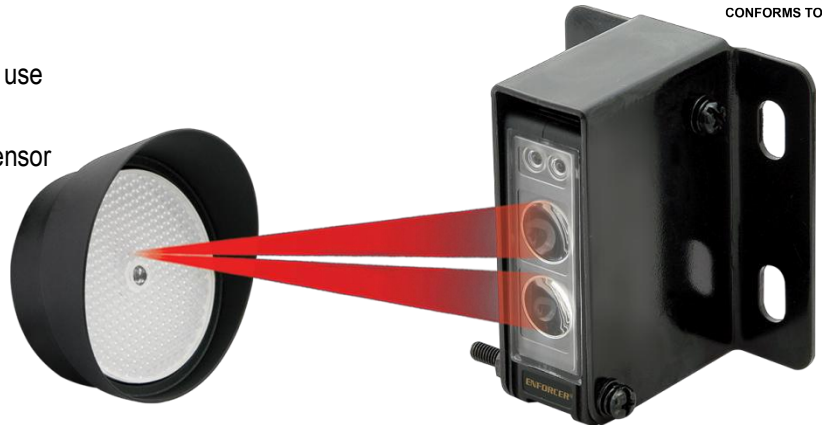
Range: Up to 45ft (14m)



**Intertek**  
CONFORMS TO ETL325

#### Features:

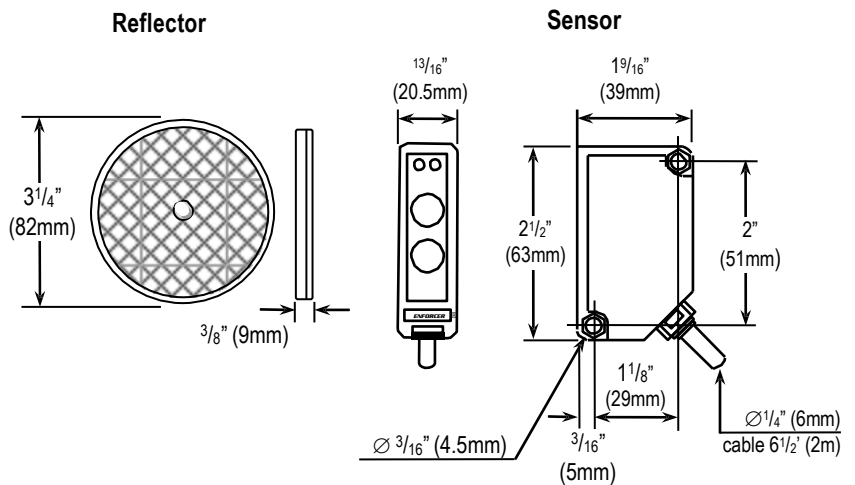
- Range: 45ft (14m)
- Weatherproof (IP66) construction for indoor/outdoor use
- Pre-wired 6ft (1.8m) cord
- Bracket and mounting hardware included for both sensor and reflector
- Adjustable sensing range
- Compact size
- Monitoring method:
  - 10kΩ Resistor
  - N.C.



#### Specifications:

Model	E-936-S45RRGQ
Type	Retro-reflective
Sensing range	0.5~45 ft (0.2~14 m)
Voltage supply	12-30V DC/AC 60Hz, 100mA
Current draw	70mA@12VDC
Response time	10ms
Light source	IR LED
LED Indicators	Yellow LED (alignment) Red LED (trigger)
Trigger output	SPDT relay output (NO/NC/COM)
Switching capacity	2A@30VAC/VDC
Enclosure	IP66 weatherproof
Operating temperature	-4°~131° F (-20°~55° C)
Mounting brackets	Included

#### Dimensions:



#### Optional Accessories:

**E-931ACC-BLS6Q**

Single-gang flush-mount bracket



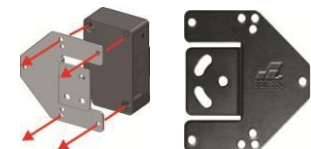
**E-931ACC-BLS7Q**

Wall bracket



**E-931ACC-BLS8Q**

Door frame bracket



**SECO-LARM® U.S.A., Inc.**

16842 Millikan Avenue, Irvine, CA 92606

Phone: (949) 261-2999 | (800) 662-0800 Fax: (949) 261-7326

Website: [www.seco-larm.com](http://www.seco-larm.com) Email: [sales@seco-larm.com](mailto:sales@seco-larm.com)



Copyright 2016 © SECO-LARM U.S.A., Inc. All rights reserved.  
All trademarks are the property of SECO-LARM U.S.A., Inc. or their respective owners.  
The SECO-LARM policy is one of continual development. For that reason, SECO-LARM reserves the right to change prices and specifications without notice. SECO-LARM is not responsible for misprints.

**SECO-LARM® ENFORCER® CRIMEBUSTER® CBA SLI®**

PI\_E-936-S45RRGQ\_160315.docx