

YA93

IC Core: Cam Lock For Yale Large Format IC cores



For YALE style 6-pin large format interchangeable core cylinders

SPECIFICATIONS

Cylinder diameter: 1-1/8"
 Across flats: 7/8"
 YA93 Max. material thickness: 1-5/16"
 Min. material thickness: 0.08"
 Functions: Includes parts for key-retaining or non-key-retaining function
 Body: Zinc die cast
 Finish: 26D
 Packaged: 10 per box

YA93 CYLINDER INFORMATION

Cores: Not included.
 Yale cylinder: Accepts Yale 1210 Series (6-pin) IC cylinder and Medeco #31-0100 (6-pin) Yale compatible IC cylinder.
 Assa cylinder: Accepts ASSA's 6-pin, Yale-compatible large format IC cylinder.
 Medeco cylinder: Accepts Medeco's 31 Series Yale-compatible large format IC cylinder.

INCLUDED ACCESSORIES

931-PA plastic thumbturn
 720-PL3 anti-rotation plate
 720-3-1 short inverted cam
 720-3-2 long vertical cam
 720-CDLM lost motion cam shifter
 720-CDDM key retaining door cam shifter
 720-KR key retaining drawer cam shifter

OPTIONAL ACCESSORIES

Optional cams: 7-3-2, 7-3-3, 7-3-4, 7-3-5
 Trim collars: TR200 Series
 Switch accessory pack: SW-1
 CL-MP-118: Double-D metal punch

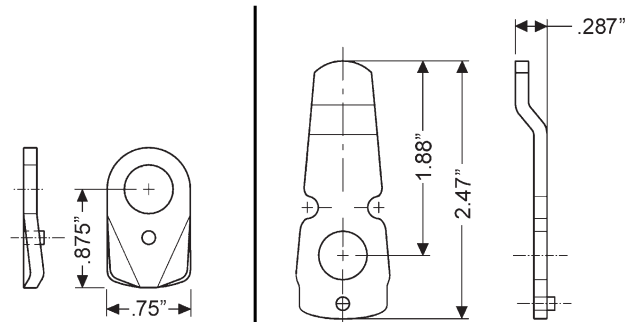


YA93
 Function: Cam Lock

720-PL3 anti-rotation plate keeps lock from rotating in hole, traps fixing nut

US26D Finish

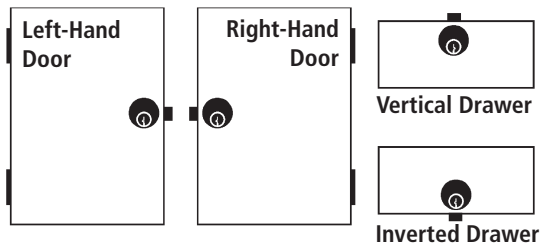
INCLUDED CAMS



720-3-1
 for inverted function

720-3-2
 inbent cam for vertical function
 (bottom-pin style)

HANDING CHART



WARNING: This product can expose you to chemicals including chromium, which is known to the State of California to cause cancer and birth defects or other reproductive harm. For more information go to www.P65Warnings.ca.gov.

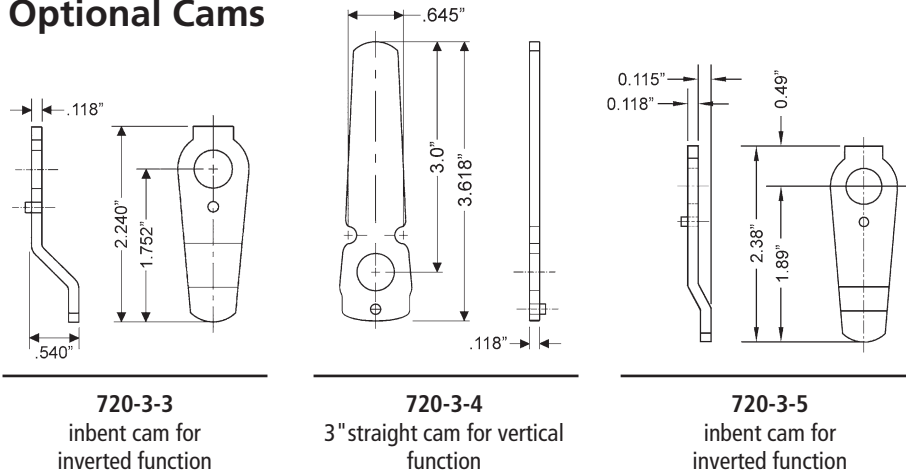


YA93

IC Core: Cam Lock For Yale Large Format IC cores

OPTIONAL ACCESSORIES - See our website for a complete list of optional components.

Optional Cams



CL-MP-118 Double-D Metal Punch

Hole size: Punches a DOUBLE "D" hole size approximately 7/8" wide by 1-1/8" high.



SW-1 Switch Accessory Pack

Use: Includes parts to convert 720, 820, 920, CR25 ME93, SA54 or YA93 series cam locks into switch locks

Switches: Not included.

Accepts: Pin plunger style, snap acting, miniature switches:

- Omron - V Series
- Honeywell (MicroSwitch) - V Series
- Cherry - E Series
- Panasonic (Aromat) - ABV Type
- C&K (ITT) - TM & TF Series

Configuration: Can be configured for 1 or 2 switches

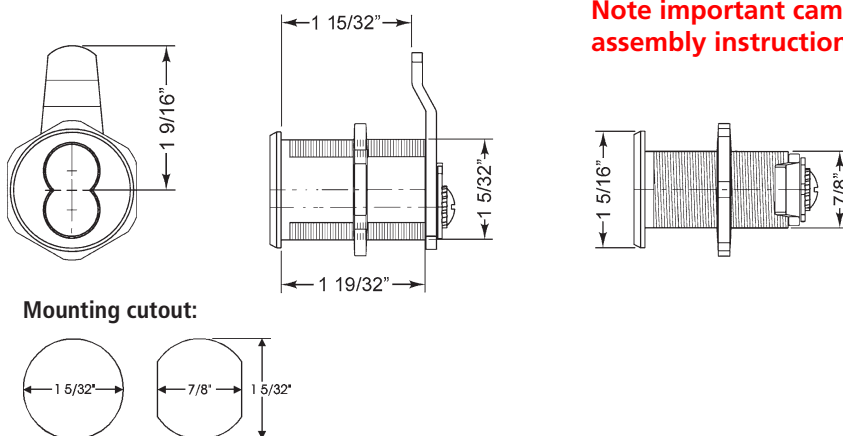


TR200 Series Trim Collars

Finish: TR201, TR202 and TR203 available in US32D or US3 finish. TR204* available in US32D finish only.



DIMENSIONS



Note important cam/prong driver assembly instructions. →

IMPORTANT ASSEMBLY INFORMATION!

It is important to assemble the lock with the correct cam driver for the cylinder being used.

Yale Core	Medeco - Yale Type Large Format Core
Use blank cam driver	Use No. 2 cam driver