

T37 SERIES

N Series: T-Bolt Metal Drawer Lock

*The industry's first easily rekeyable
T-bolt lock for metal bank drawers
Directly replaces National C8137*

SPECIFICATIONS

Keying: Can be keyed together with other N Series locks

Rekeyable: Working top-slide, cylinder retainer staple and removable bezel ring make rekeying fast and easy. No more need to pry off faceplates and pin retainer clips.

US Patent No: 5,038,589

Standard function: Key removable in locked or unlocked position.

Retrofits: National C8137

Body: Zinc die cast

Cylinder: Zinc die cast, pin tumbler

Bolt: Stainless steel

Includes: Brass mounting nut. Spring mounting clip
T37-RC is available separately.

Barrel diameter: 3/4"

Across flats: 5/8"

Finish: 26D

Packaged: Packed 10 per box

KEYING INFORMATION

Keyway: N Series (equivalent to National D4291 4-pin system)

Keys: Includes 2 keys per lock

Stock keying: KD/KA - 4 pin standard

Stock KA#: 101, 103, 107, 915, 1001, 51002, 51003, 51004, 51005, 51006, 51007, 51008, 51009, 51010 and groups 001 through 030

Masterkeyed: 4 pin standard

Keyblank 4-pin: KBN-4-NP
(equivalent to NA14, 1069L)

SPECIAL NOTE ON BOLTS ONLY

The T37-1 (regular bolt), T37-2 (long bolt) and T37-3 (short bolt) will not work in the National C8137 lock. However, the C8137 bolts will work in the T37 lock.

OPTIONAL ACCESSORIES

See below.

*Looking for that hard to
find key code for LeFebure,
Diebold or Mosler? We've
got you covered!*



US26D finish

FEATURES

Rekeyable: Working top-slide, cylinder retainer staple and removable bezel ring make rekeying fast and easy. No more need to pry off faceplates and pin retainer clips.

Stronger bolt: Our stainless steel bolt will withstand repeated abuse without breaking.

Retrofits: National C8137.

Mounting: Ships standard with brass fixing nut.

Spring clip: Optional spring clip is available for clip mounting if desired. The lock comes standard with clip mounting locations for 0" to 11/64" material thicknesses.



WARNING: This product can expose you to chemicals including chromium, which is known to the State of California to cause cancer and birth defects or other reproductive harm. For more information go to www.P65Warnings.ca.gov.




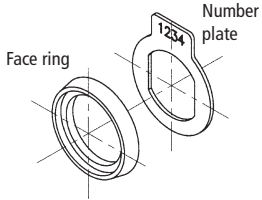
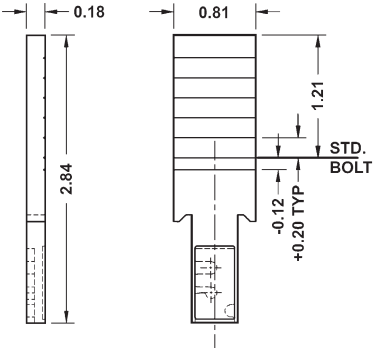
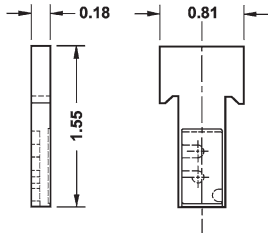
**OLYMPUS
LOCK**
INC

T37 SERIES

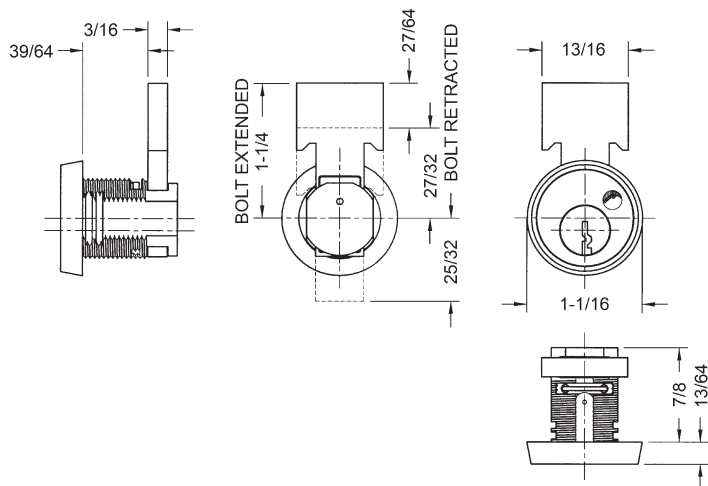
N Series: T-Bolt Metal Drawer Lock

*The industry's first easily rekeyable
T-bolt lock for metal bank drawers
Directly replaces National C8137*

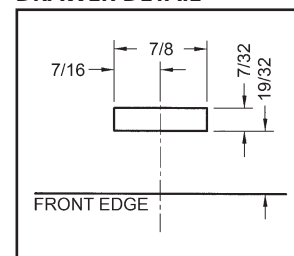
OPTIONAL ACCESSORIES - See our website for a complete list of optional components.

			
<p>T37-RC Spring mounting clip</p> <p>The lock comes standard with clip mounting locations up to 11/64" material thicknesses.</p>	<p>T37-NKIT Number plate kit eliminates need to stamp face of lock</p> <p>Replacement number plates also available separately (Use part no. T37DC-NP).</p>	<p>T37-2 Long bolt can be cut to length required by application</p>	<p>T37-3 Short bolt for 25/32" backset</p>

DIMENSIONS | TYPICAL INSTALLATION



DRAWER DETAIL



MOUNTING HOLE DETAIL

