

SLT-01 | SLT-02

Cabinet Lock Conversion Kits For US Rim Cylinders

SPECIFICATIONS

Conversion Kit: Allows you to convert a US rim cylinder into a latch or deadbolt cabinet lock
Function: Will work for cabinet doors or drawers
US Patent: 11,124,988 B1
Body: Zinc die cast
Barrel diameter: 1-9/64"
Cylinder length: Determined by provided rim cylinder screws and tailpiece
Finish: US26D satin chrome

CYLINDER INFORMATION

Rim cylinder: Not included
Accepts: Standard US rim cylinders

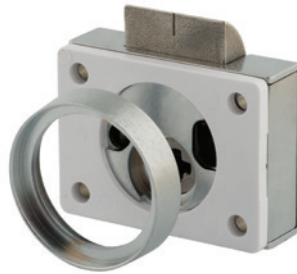
INCLUDED ACCESSORIES

For Latch Lock Kit:

10-350 plastic spacer
 L78ST-1-SS stainless steel lip strike
 SLT-TR 21/64" trim bezel

For Deadbolt Lock Kit:

10-350 plastic spacer
 10-054 1/4" plastic bar strike
 SLT-TR 21/64" trim bezel



SLT-01 Latch

Function: Cabinet latch lock kit
Standard function: Non-handed. Can be used for doors or drawers.



L78ST-1-SS
Matching lip strike



SLT-02 Deadbolt

Function: Cabinet deadbolt lock kit
Standard function: Non-handed. Can be used for doors or drawers.



10-054 bar strike
1/4" plastic bar strike

*Works with Salto US electronic rim cylinder
or other standard US rim cylinders.*



Salto, XS4 and GEO are registered tradenames of Salto Systems S.L.



*US rim cylinder
(not included)*



WARNING: This product can expose you to chemicals including chromium, which is known to the State of California to cause cancer and birth defects or other reproductive harm. For more information go to www.P65Warnings.ca.gov.



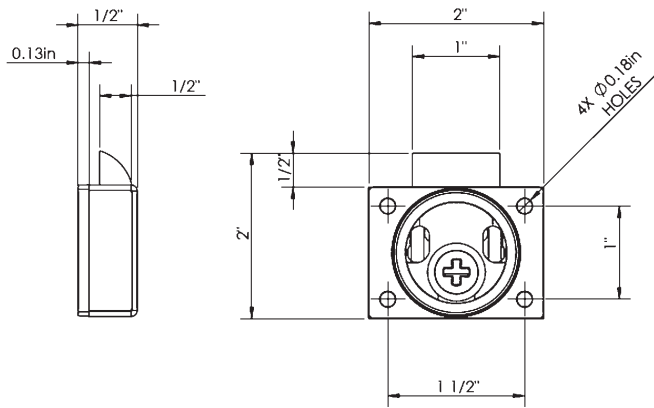
OLYMPUS[®]
LOCK
INC

SLT-01 | SLT-02

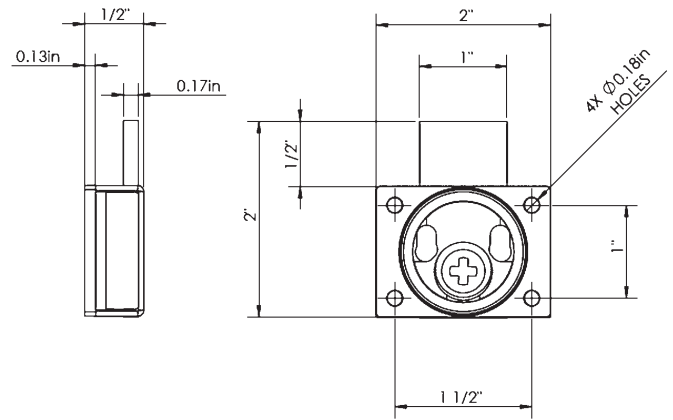
Cabinet Lock Conversion Kits For US Rim Cylinders

DIMENSIONS

SLT-01 LATCH



SLT-02 DEADBOLT



TYPICAL INSTALLATION

