

ME93

IC Core: Cam Lock For Medeco Large Format IC cores



For MEDECO style large format interchangeable core cylinders

NOTE: Medeco "Keymark" cylinders require Best compatible (small format) lock bodies.

SPECIFICATIONS

Cylinder diameter: 1-1/8"
 Across flats: 7/8"
 ME93 Max. material thickness: 1-1/4"
 Min. material thickness: 0.08"
 Functions: Includes parts for key-retaining or non-key-retaining function
 Body: Zinc die cast
 Finish: 26D
 Packaged: 10 per box

ME93 CYLINDER INFORMATION

Cores: Not included.
 Medeco cylinder: Accepts Medeco #32-0201 (6-pin) IC cylinder.
 Special note: Medeco "Keymark" cylinders require Best compatible (small format) cabinet lock bodies.

INCLUDED ACCESSORIES

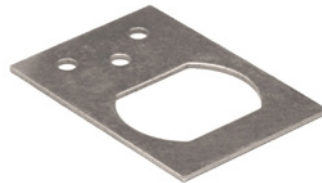
931-PA plastic thumbturn
 720-PL3 anti-rotation plate
 720-3-1 short inverted cam
 720-3-2 long vertical cam
 720-CDLM lost motion cam shifter
 720-CDDM key retaining door cam shifter
 720-KR key retaining drawer cam shifter

OPTIONAL ACCESSORIES

Optional cams: 7-3-2, 7-3-3, 7-3-4, 7-3-5
 Trim collars: TR200 Series
 Switch accessory pack: SW-1
 CL-MP-118: Double-D metal punch

ME93

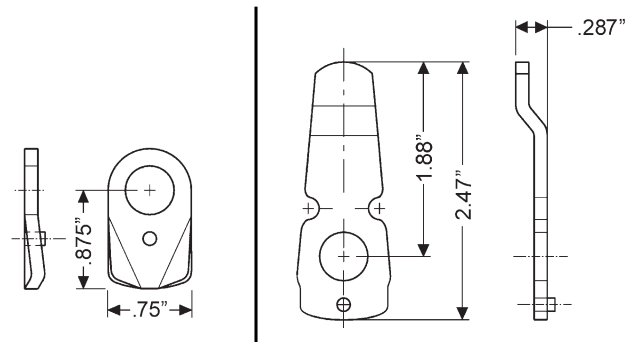
Function: Cam Lock



720-PL3 anti-rotation plate keeps lock from rotating in hole, traps fixing nut

US26D Finish

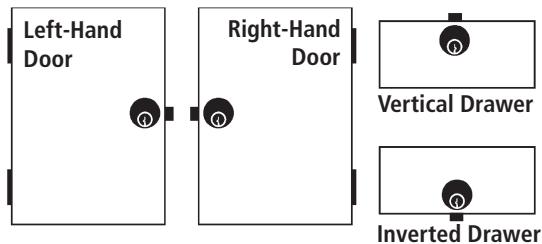
INCLUDED CAMS



720-3-1 for inverted function

720-3-2 inbent cam for vertical function (bottom-pin style)

HANDING CHART



WARNING: This product can expose you to chemicals including chromium, which is known to the State of California to cause cancer and birth defects or other reproductive harm. For more information go to www.P65Warnings.ca.gov.

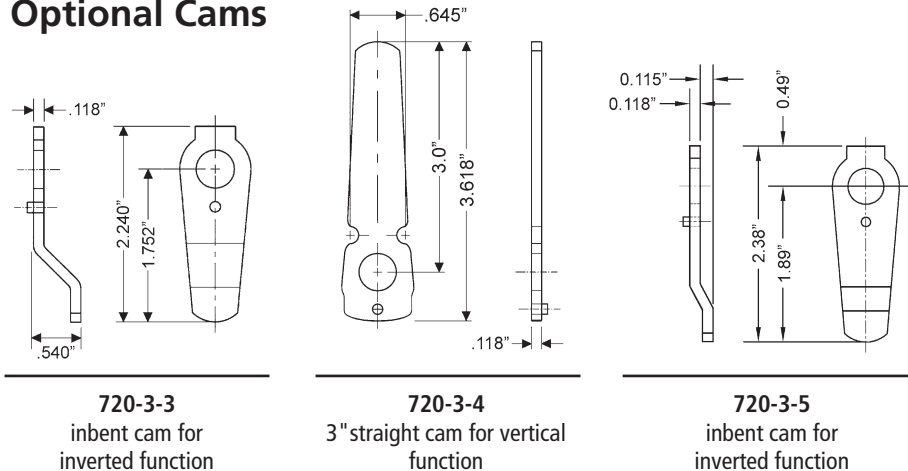


ME93

IC Core: Cam Lock For Medeco Large Format IC cores

OPTIONAL ACCESSORIES - See our website for a complete list of optional components.

Optional Cams



CL-MP-118 Double-D Metal Punch

Hole size: Punches a DOUBLE "D" hole size approximately 7/8" wide by 1-1/8" high.



SW-1 Switch Accessory Pack

Use: Includes parts to convert 720, 820, 920, CR25 ME93, SA54 or YA93 series cam locks into switch locks

Switches: Not included.

Accepts: Pin plunger style, snap acting, miniature switches:

- Omron - V Series
- Honeywell (MicroSwitch) - V Series
- Cherry - E Series
- Panasonic (Aromat) - ABV Type
- C&K (ITT) - TM & TF Series

Configuration: Can be configured for 1 or 2 switches



TR200 Series Trim Collars

Finish: TR201, TR202 and TR203 available in US32D or US3 finish. TR204* available in US32D finish only.



DIMENSIONS

