

CR25LM/DM

Cam Lock For Corbin Russwin Interchangeable Core



For CORBIN RUSSWIN interchangeable core cylinders

SPECIFICATIONS

Cylinder diameter: 1-1/8"
 Across flats: 7/8"
 Max. material thickness: 1-1/8"
 Min. material thickness: 0.08"
 Functions: Includes parts for key-retaining or non-key-retaining function
 Body: Zinc die cast
 Finish: 26D
 Packaged: 10 per box

CYLINDER INFORMATION

Cylinder: Not included
 Accepts: Corbin/Russwin interchangeable core cylinders

INCLUDED ACCESSORIES

725-PA plastic thumbturn
 1125-1 spacer to fit 6 or 7 pin cores
 720-PL3 anti-rotation plate
 720-3-1 short inverted cam
 720-3-2 long vertical cam
 720-CDLM lost motion cam shifter
 720-CDDM key retaining door cam shifter
 720-KR key retaining drawer cam shifter

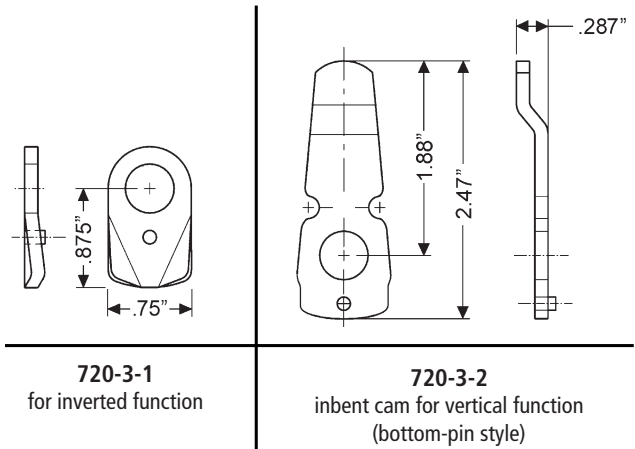
OPTIONAL ACCESSORIES

Optional cams: 7-3-2, 7-3-3, 7-3-4, 7-3-5
 Trim collars: TR200 Series
 Switch accessory pack: SW-1
 CL-MP-118: Double-D metal punch

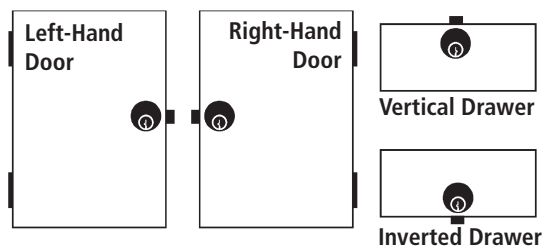


US26D finish

INCLUDED CAMS



HANDING CHART



WARNING: This product can expose you to chemicals including chromium, which is known to the State of California to cause cancer and birth defects or other reproductive harm. For more information go to www.P65Warnings.ca.gov.

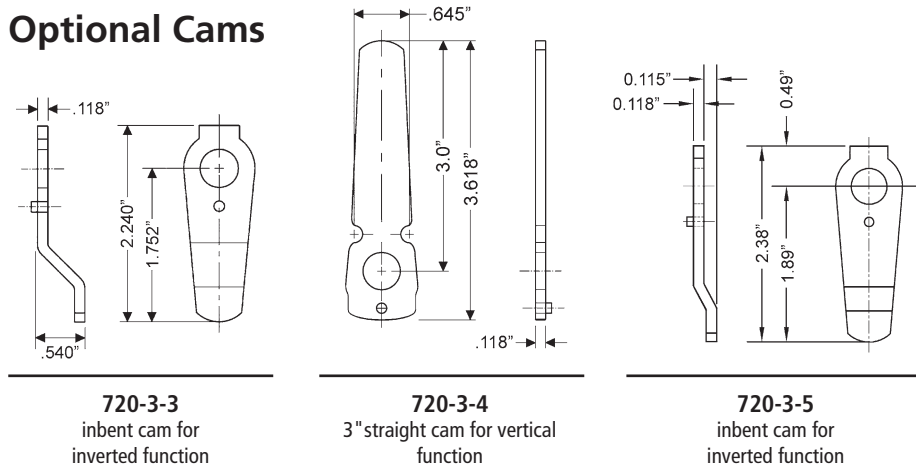


CR25LM/DM

Cam Lock For Corbin Russwin Interchangeable Core

OPTIONAL ACCESSORIES- See our website for a complete list of optional components.

Optional Cams



TR200 Series Trim Collars



CL-MP-118 Double-D Metal Punch

Hole size: Punches a DOUBLE "D" hole size approximately 7/8" wide by 1-1/8" high.



DIMENSIONS

