

9501C

SFIC: Deadlatching Drawer Lock



For BEST style interchangeable core cylinders

SPECIFICATIONS

Function: Deadlocking latch
U.S. Patent No: 4,899,563; 4,922,774; 5,657,652
Body: Zinc die cast
Cylinder length: 1-1/8"
Barrel diameter: 1-1/8"
Latch projection: 1/4"
Finish: 26D or US3
Packaged: Packed 10 per box

KEYING INFORMATION

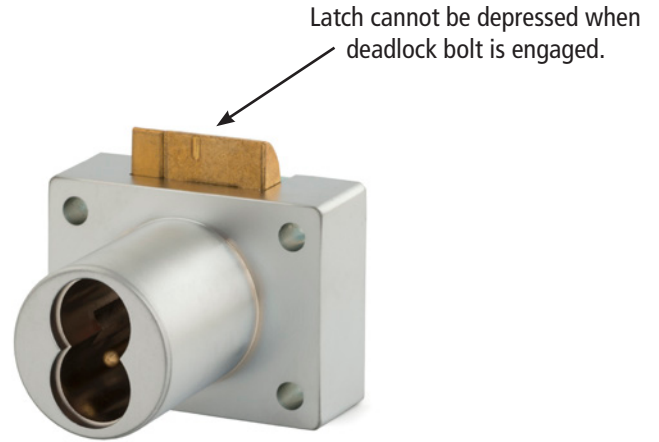
Cores: Not included.
Accepts: Best, Arrow, Falcon, KSP, Schlage SFIC or equivalent small format interchangeable cores
Compatible electronic cylinders: Medeco Nexgen XT or VIDEX CyberLock SFIC cylinders

INCLUDED ACCESSORIES

10-350 spacers (qty 2)
725-1 spacer to fit 6 or 7 pin cores
850-210 matching strike
725-PA plastic thumbturn

OPTIONAL ACCESSORIES

Spacers: 10-350 (1/8" thick), 10-348 (1/4" thick), 10-349 (1/2" thick)
Trim ring: TR78
Through-bolt hardware: ETS1 through-bolt plate, ETS1-PL trim pull and ETST1 template
SFIC cores: 206/207 Series

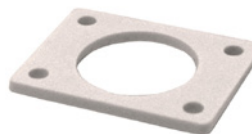


AVAILABLE FINISHES



US26D US3

INCLUDED ACCESSORIES



10-350 internal spacers
For a flush fit on varying material thicknesses



850-210 / 850-211
lip strike



WARNING: This product can expose you to chemicals including chromium, which is known to the State of California to cause cancer and birth defects or other reproductive harm. For more information go to www.P65Warnings.ca.gov.



OLYMPUS[®]
LOCK INC

950IC

SFIC: Deadlatching Drawer Lock

OPTIONAL ACCESSORIES

Internal Plastic Spacers

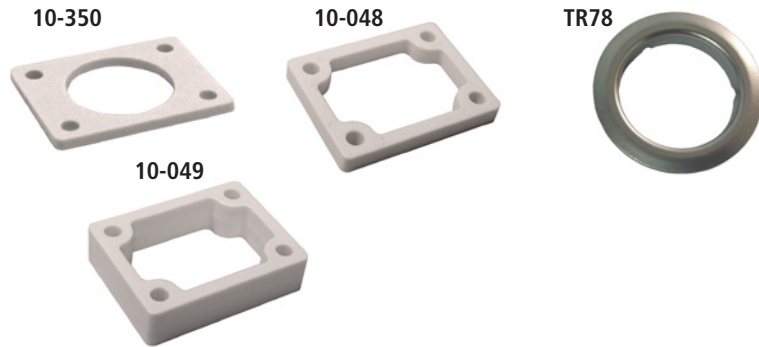
- 10-350 1/8" thick plastic spacers
- 10-348 1/4" thick plastic spacers
- 10-349 1/2" thick plastic spacers

Strikes

- Plastic bar strikes: 10-054, 10-055, 10-057, 10-058.
- Metal strikes: 10-056 12-1, 12-2, 12-3, 12-4, 999-STRIKE, L78ST-1, L78ST-2

Trim Ring

- TR78 trim ring



Through-Bolt Mounting Plate

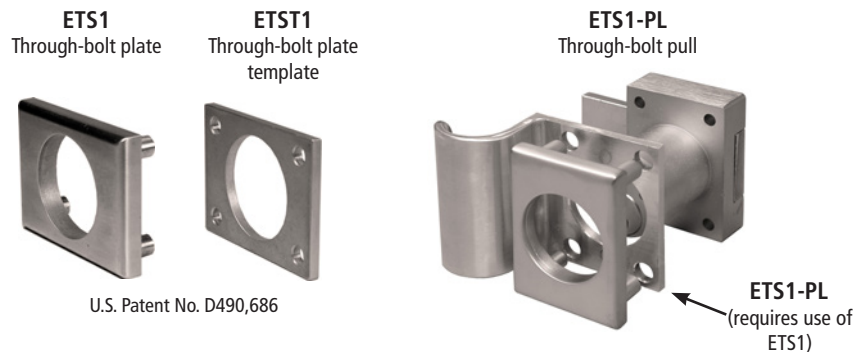
External metal 1/8" or 1/4" through-bolt plate allows for secure and attractive flush mounting of the cabinet lock face. Available in US3 or US26D finish.

- ETS1-125 through-bolt plate, 1/8" thick
- ETS1-250 through-bolt plate, 1/4" thick

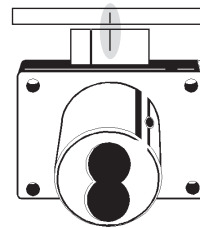
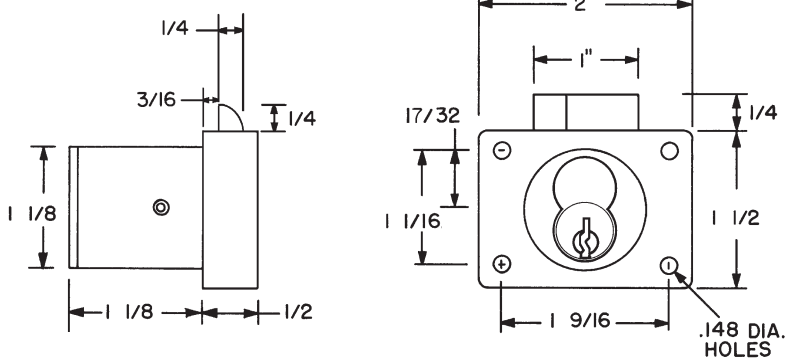
Through-Bolt Mounting Plate Template

Allows for proper mounting hole placement of through-bolt plate. Can be used as a 1/8" shim spacer. Available in US3 and US26D finish.

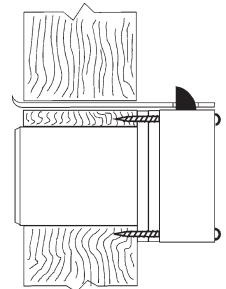
- ETST2 through-bolt plate template



DIMENSIONS | TYPICAL INSTALLATION



Note: Line up center mark on latch with center mark on strike for correct strike placement.



Note: Strike must be lined up so that dead lock portion of latch is depressed when drawer is closed.