

820S

S Series: Schlage C Keyway Cam Lock



Woodwork Institute (WI)
acknowledged product

SPECIFICATIONS

- Rekeyable:** Easily rekeyable via set screw on back of lock body
- U.S. Patent No:** 7,716,958 B2
- Cylinder diameter:** 1-1/8"
- Across flats:** 7/8"
- Max. material thickness:** 1-3/8"
- Min. material thickness:** 0.08"
- Body:** Zinc die cast
- Functions:** Includes parts for key-retaining or non-key-retaining
- Finish:** 26D or US3
- Packaged:** Packed 10 per box

820S KEYING INFORMATION

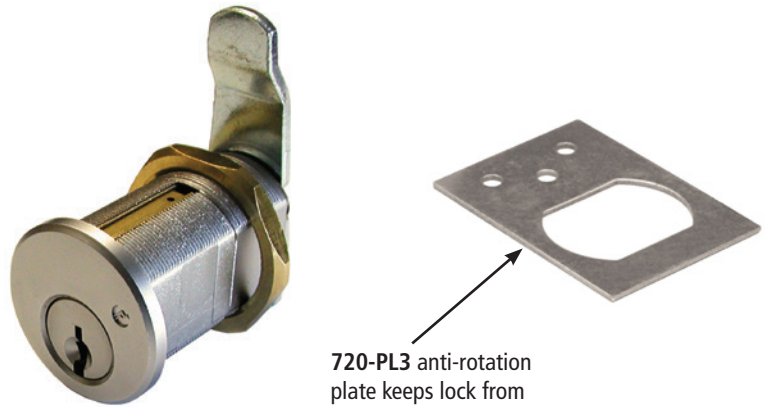
- Keying:** Can be keyed together with other Schlage C Keyway locks
- Keyway:** Schlage "C" Keyway
- Keys:** Includes 2 keys per lock
- Cylinder:** Solid brass, pin tumbler
- Stock keying:** KD/KA - 5 pin standard
- Stock KA#:** 101, 102, O-Bit
- Masterkeying:** 5 pin standard, 6-pin available
- Grand masterkeying:** Available
- Keyblank 5-pin:** KBSC-5
- Keyblank 6-pin:** KBSC-6

INCLUDED ACCESSORIES

- 720-PL3 anti-rotation plate
- 720-3-1 short inverted cam
- 720-3-2 long vertical cam
- 720-CDLM lost motion cam shifter
- 720-CDDM key retaining door cam shifter
- 720-KR key retaining drawer cam shifter

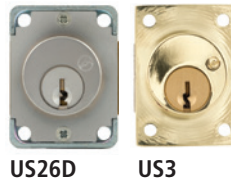
OPTIONAL ACCESSORIES

- Optional cams:** 7-3-2, 7-3-3, 7-3-4, 7-3-5
- Trim collars:** TR200 Series
- Cylinder:** 78-201 Series
- Switch accessory pack:** SW-1
- CL-MP-118:** Double-D metal punch



720-PL3 anti-rotation plate keeps lock from rotating in hole, traps fixing nut

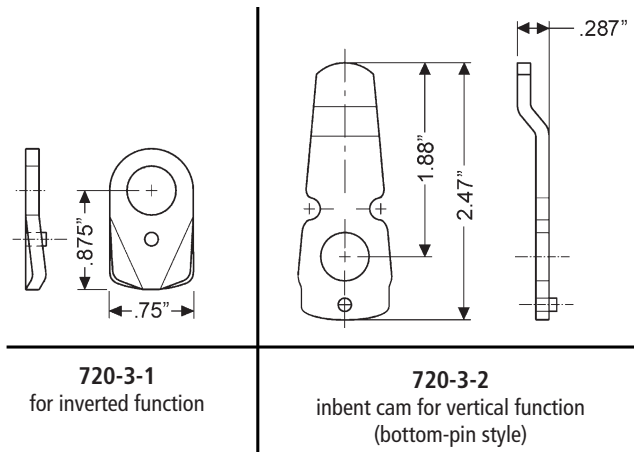
AVAILABLE FINISHES



US26D

US3

INCLUDED CAMS



WARNING: This product can expose you to chemicals including chromium, which is known to the State of California to cause cancer and birth defects or other reproductive harm. For more information go to www.P65Warnings.ca.gov.



OLYMPUS[®]
LOCK
INC

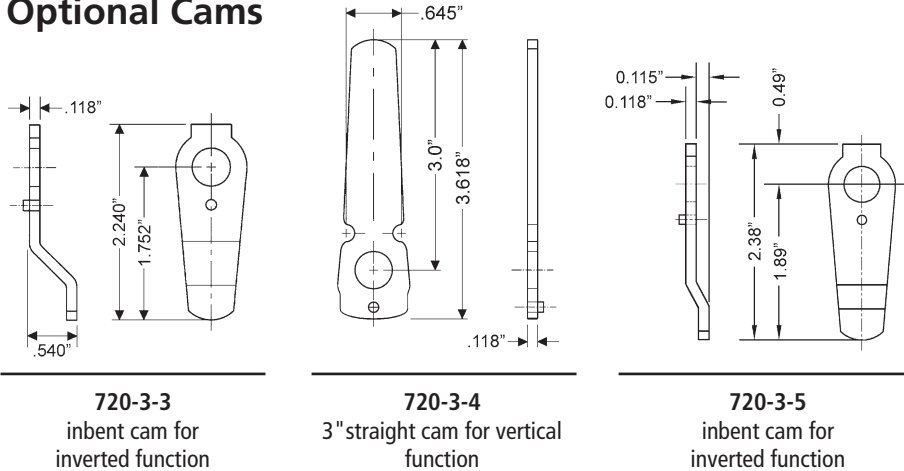
820S

Woodwork Institute (WI)
acknowledged product

S Series: Schlage C Keyway Cam Lock

OPTIONAL ACCESSORIES - See our website for a complete list of optional components.

Optional Cams



CL-MP-118 Double-D Metal Punch

Hole size: Punches a DOUBLE "D" hole size approximately 7/8" wide by 1-1/8" high.



SW-1 Switch Accessory Pack

Use: Includes parts to convert 720, 820, 920, CR25 ME93, SA54 or YA93 series cam locks into switch locks

Switches: Not included.

Accepts: Pin plunger style, snap acting, miniature switches:

- Omron - V Series
- Honeywell (MicroSwitch) - V Series
- Cherry - E Series
- Panasonic (Aromat) - ABV Type
- C&K (ITT) - TM & TF Series

Configuration: Can be configured for 1 or 2 switches



TR200 Series Trim Collars

Finish: TR201, TR202 and TR203 available in US32D or US3 finish. TR204* available in US32D finish only.



DIMENSIONS

