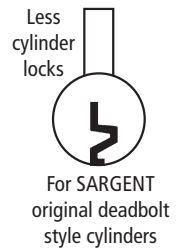


754LC | 854LC

LC Series: Less Cylinder Deadbolt Door & Drawer Cabinet Locks for Sargent Original Cylinders



GENERAL SPECIFICATIONS

Keyway: LC Series, less cylinder locks accept Sargent deadbolt-style 6-pin cylinder C480-2 (13-3457)

Rekeyable: Easily rekeyable via set-screw cylinder removal mechanism

Standard function: Key removable in locked or unlocked position (non-handed)

US Patent Nos: 4,899,563; 4,920,774

Body: Zinc die cast

Bolt: Brass.

Barrel diameter: 1-1/8"

Barrel length: 1-3/8"

Finish: US26D (satin chrome) or US3 (polished brass)

Includes: All parts to work with Sargent original cylinder (see cylinder information below)

CYLINDER INFORMATION

Cylinder: Not included

Accepts: Sargent C480-2 (13-3457) 6-pin deadbolt cylinder

OPTIONAL ACCESSORIES

Spacers: 10-348 (1/4" thick), 10-349 (1/2" thick), 10-350 (1/8" thick)

Strikes: 10-052, 10-056, 10-057, 10-058, 12-2, 12-3, 12-4

Trim collar: TR78

Through-bolt hardware: ETS1 through-bolt plate, ETS1-PL trim pull and ETST1 template



754LC

Function: Cabinet door lock
Bolt throw: 15/16"



854LC

Function: Drawer lock
Bolt throw: 7/8"

AVAILABLE FINISHES



US26D

US3

INCLUDED ACCESSORIES



10-056 strike
Notched bar strike



WARNING: This product can expose you to chemicals including chromium, which is known to the State of California to cause cancer and birth defects or other reproductive harm. For more information go to www.P65Warnings.ca.gov.



OLYMPUS[®]
LOCK
INC.

754LC | 854LC

LC Series: Less Cylinder Deadbolt Door & Drawer Cabinet Locks for Sargent Original Cylinders

OPTIONAL ACCESSORIES - See our website for a complete list of optional components.

Internal Plastic Spacers

- 10-350 1/8" thick plastic spacers
- 10-348 1/4" thick plastic spacers
- 10-349 1/2" thick plastic spacers



Strikes

- Plastic bar strikes: 10-054, 10-055, 10-057, 10-058.
- Metal strikes: 10-056 12-1, 12-2, 12-3, 12-4

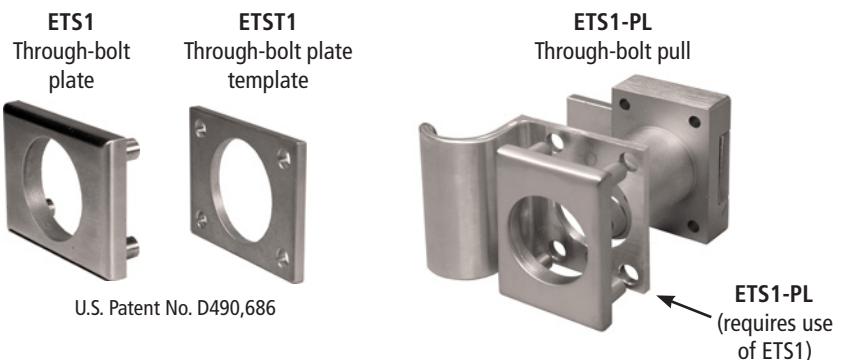
Trim Ring

- TR78 trim ring

Through-Bolt Mounting Plate

External metal 1/8" or 1/4" through-bolt plate allows for secure and attractive flush mounting of the cabinet lock face. Available in US3 or US26D finish.

- ETS1-125 through-bolt plate, 1/8" thick
- ETS1-250 through-bolt plate, 1/4" thick



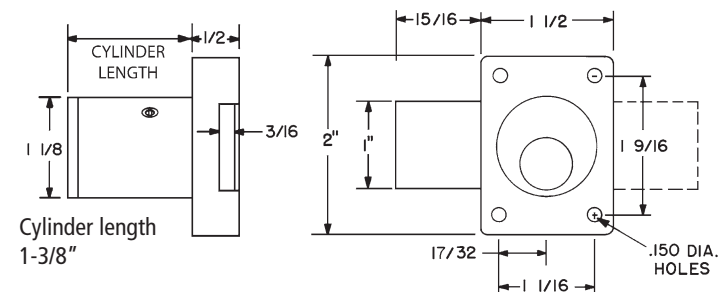
Through-Bolt Mounting Plate Template

Allows for proper mounting hole placement of through-bolt plate. Can be used as a 1/8" shim spacer. Available in US3 and US26D finish.

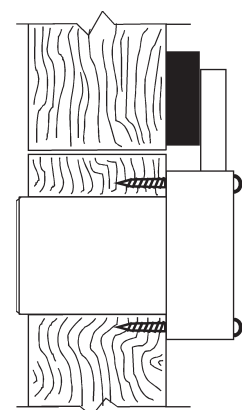
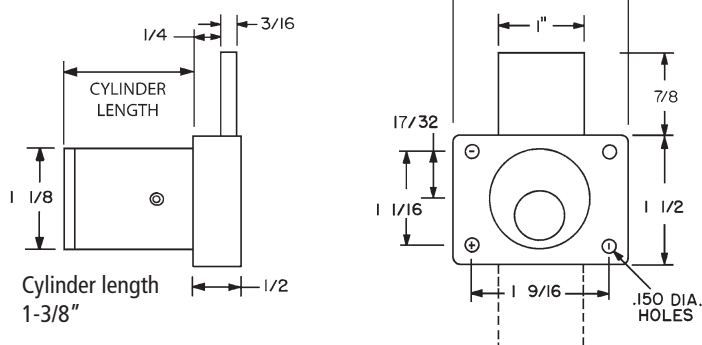
- ETST2 through-bolt plate template

DIMENSIONS | TYPICAL INSTALLATION

754LC Door Lock



854LC Drawer Lock



754LC - top view
854LC - side view