

# 725RD

## SFIC: Rim Deadbolt Door & Drawer Cabinet Lock

ANSI/BHMA Grade 1



BEST compatible interchangeable core cylinders

### GENERAL SPECIFICATIONS

**Retrofits:** Best 5L7RD

**Function:** Rim (surface) mounted deadbolt

**Handing:** Available for doors or drawers

**Testing:** Passed ANSI/BHMA A156.11 Grade 1 performance requirements.

**Barrel diameter:** 1-1/8"

**Cylinder length:** 1-1/16" or 1-3/8"

**Finish:** US26 (polished chrome), US26D (satin chrome), US4 (satin brass), US3 (polished brass) or US10B (oil rubbed bronze). 1-3/8" barrel length locks available in US26D finish only.

### KEYING INFORMATION

**Cores:** Not included

**Accepts:** Best, Arrow, Falcon, KSP, Schlage SFIC or equivalent small format interchangeable cores

**Compatible electronic cylinders:** Medeco Nexgen XT or VIDEX CyberLock SFIC cylinders.

### INCLUDED ACCESSORIES

725-1 spacer to fit 6 or 7 pin cores

725-SP-RD solid rectangular strike

725-PA plastic thumbturn



725RD-DW-VH-26D  
drawer vertical

### 725RD

**Function:** Deadbolt cabinet door or drawer lock

**Standard function:** Key removable in locked or unlocked position. Standard locks are non-handed.

**Key-retaining function:** Key removable in locked position only. Key retaining function available for drawer vertical configuration only.

### AVAILABLE FINISHES



US26D

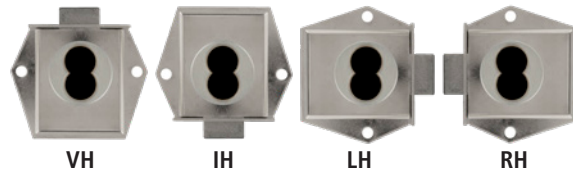
US26

US4

US3

US10B

### HANDING



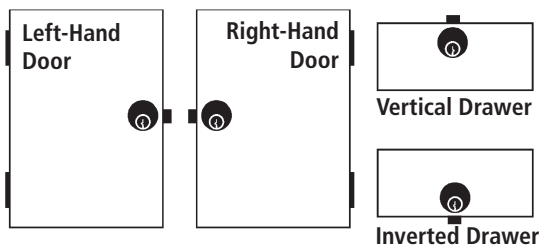
VH

IH

LH

RH

### HANDING CHART



### INCLUDED ACCESSORIES



725-PA



725-SP-RD



725-1



**WARNING:** This product can expose you to chemicals including chromium, which is known to the State of California to cause cancer and birth defects or other reproductive harm. For more information go to [www.P65Warnings.ca.gov](http://www.P65Warnings.ca.gov).



**OLYMPUS  
LOCK** INC

# 725RD

ANSI/BHMA Grade 1

## SFIC: Rim Deadbolt Door & Drawer Cabinet Lock

**OPTIONAL ACCESSORIES** - See our website for a complete list of optional components.

### Internal Plastic Spacers

- WP725 1/8" thick plastic spacers
- WP726 1/4" thick plastic spacers

### Strikes

- Plastic bar strikes: 10-054, 10-055, 10-057, 10-058. Metal strikes: 10-056 12-1, 12-2, 12-3, 12-4, 725-SP

### Trim Ring

- TR78 trim ring



WP725



WP726

### 206/207 Series

- 206 Series 6-pin SFIC cylinder
- 207 Series 7-pin SFIC cylinder



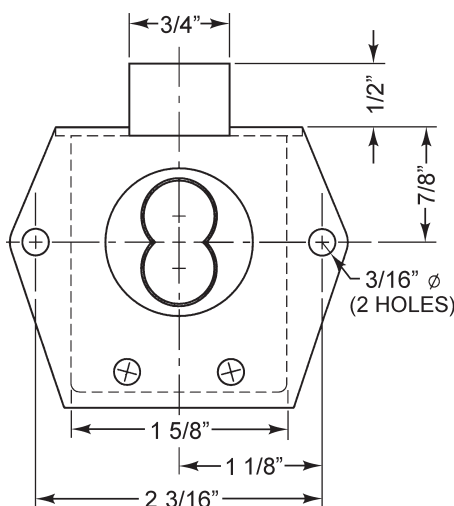
BEST compatible interchangeable core cylinders



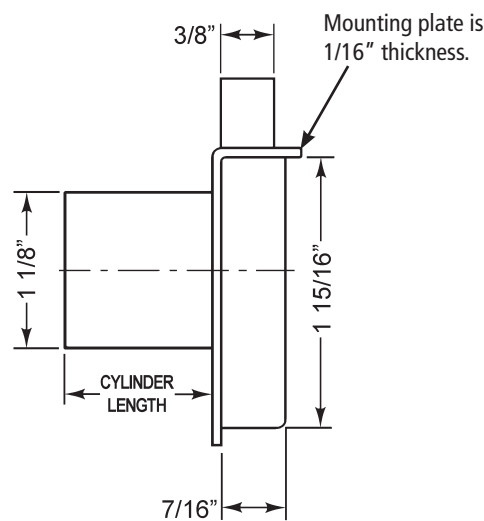
### AVAILABLE KEYWAYS

A	B	C	D	E	F	G	H	
J	K	L	M	Q	1C	1D	KMT300	

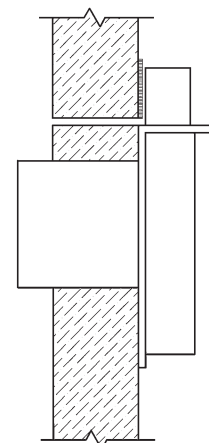
## DIMENSIONS | TYPICAL INSTALLATION



Dimensions are the same for all handings.



1-1/16" or 1-3/8" cylinder length.



Rim Deadbolt 725RD