

500DR | 600DW

R Series: Deadbolt Door & Drawer Cabinet Locks

**ANSI/BHMA Grade 1
E07121 | E07041**
**Woodwork Institute (WI)
acknowledged product**

SPECIFICATIONS

Keying: Can be keyed together with other R Series locks

Rekeyable: Easily rekeyable via set screw cylinder release mechanism

ANSI/BHMA: Passed ANSI/BHMA A156.11 Grade 1 performance requirements. Equivalent to E07121(500DR) / E07041(600DW).

Non-magnetic: See our 500M/600M Series MRI locks.

Standard function: Key removable in locked or unlocked position. Standard function locks are non-handed.

Key-retaining: Key removable in locked position only. Specify handing (KL/KR for doors or KI/KV for drawers) when ordering.

Long bolt: Extends bolt 3/4" on both ends. Specify -LB option when ordering.

US Patent Nos: 4,899,563; 4,920,774

Body: Zinc die cast

Cylinder: Solid brass, pin tumbler

Cylinder length: 15/16" or 1-3/8"

Barrel diameter: 7/8"

Finish: 26D, US4 or 10B*

*US10B not available on 500DR 1-3/8"

Packaged: Packed 10 per box

KEYING INFORMATION

Keyway: R Series (equivalent to CCL R1 system)

Keys: Includes 2 keys per lock

Stock keying: KD/KA - 5 pin standard

Stock KA#: 4T21579, 4T37526

Masterkeyed: 5 pin standard, 6 pin available

Grand masterkeyed: Available

Keyblank 5-pin: KBR-5-NP (equivalent to CO106, 1003A)

Keyblank 5-pin copper plated: KBR-5B (use with M Series MRI locks)

Keyblank 6-pin: KBR-6-NP (equivalent to L1003A)

INCLUDED ACCESSORIES

500DR: 2 keys, 56-1 bar strike, and lock mounting screws.

600DW: 2 keys, 12-3 angle strike, and lock mounting screws.

OPTIONAL ACCESSORIES

Spacers: WP20 (3/16" thick), WP21 (3/32" thick), WP22 (1/4" thick), WP23 (1/2" thick)

Strikes: 07S, 12-1, 12-2, 12-3, 12-5, 12-4, 56-1

Trip collar: TR1256

Through-bolt hardware: ETS2 through-bolt plate, ETS2-PL trim pull and ETST2 template

Extended (long) bolt: 15-1-35 (for use with 500DR or 600DW)



56-1

500DR

Function: Cabinet door lock

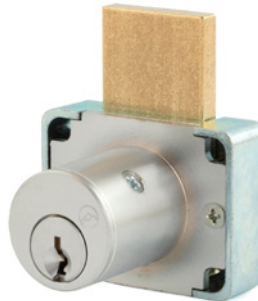
ANSI/BHMA No. E07121

Barrel length: 15/16" or 1-3/8"

Extended bolt: Extends overall bolt length by 1-1/2". Specify -LB option at time of order.



With long-bolt option



12-3

600DW

Function: Drawer lock

ANSI/BHMA No. E07041

Barrel length: 15/16" or 1-3/8"

Extended bolt: Specify -LB option at time of order.



With long-bolt option

AVAILABLE FINISHES



US26D



US4



US10B



WARNING: This product can expose you to chemicals including chromium, which is known to the State of California to cause cancer and birth defects or other reproductive harm. For more information go to www.P65Warnings.ca.gov.



**OLYMPUS
LOCK**

500DR | 600DW

ANSI/BHMA Grade 1
E07121 | E07041

R Series: Deadbolt Door & Drawer Cabinet Locks

OPTIONAL ACCESSORIES - See our website for a complete list of optional components.

Internal plastic spacers

- WP20 3/16" thick plastic spacer
- WP21 3/32" thick plastic spacer
- WP22 1/4" thick plastic spacer
- WP23 1/2" thick plastic spacer

Strikes

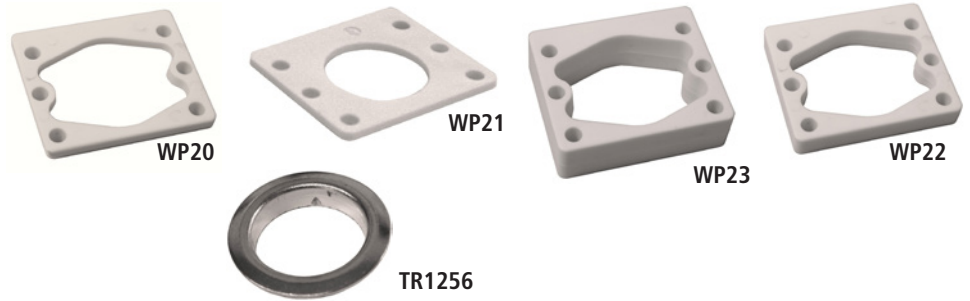
- 07S, 12-1, 12-2, 12-3, 12-4, 12-5, 56-1

Trim Ring

- TR1256 trim ring

Extended bolt

- 15-1-35 (see below for installed dimensions)



Through-bolt plate

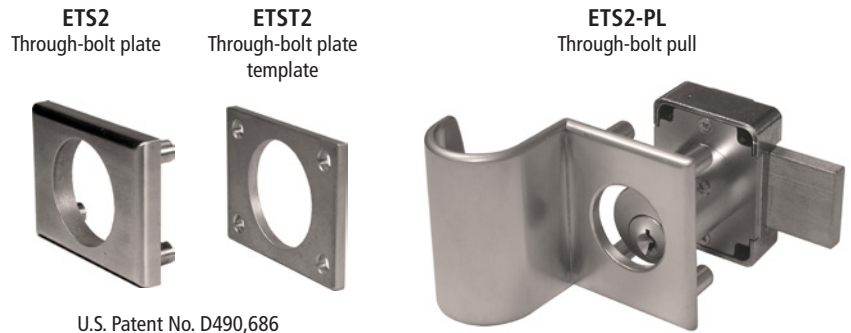
External metal 1/8" or 1/4" through-bolt plate allows for an attractive flush mounting of the cabinet lock face. Available in US3 or US26D finish.

- ETS2-125 through-bolt plate, 1/8" thick
- ETS2-250 through-bolt plate, 1/4" thick

Through-bolt plate template

Allows for proper mounting hole placement of through-bolt plate. Can be used as a 1/8" shim spacer. Available in US3 and US26D finish.

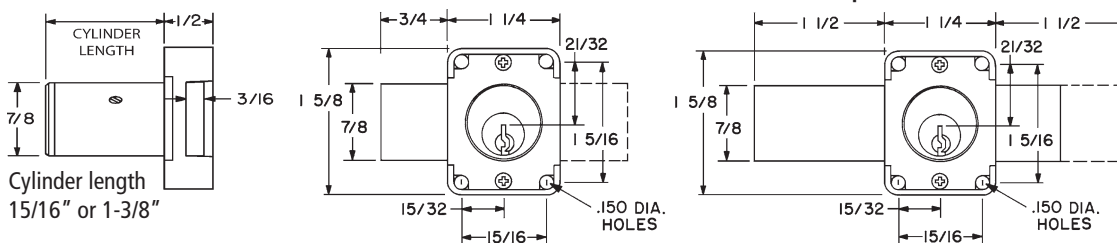
- ETST2 through-bolt plate template



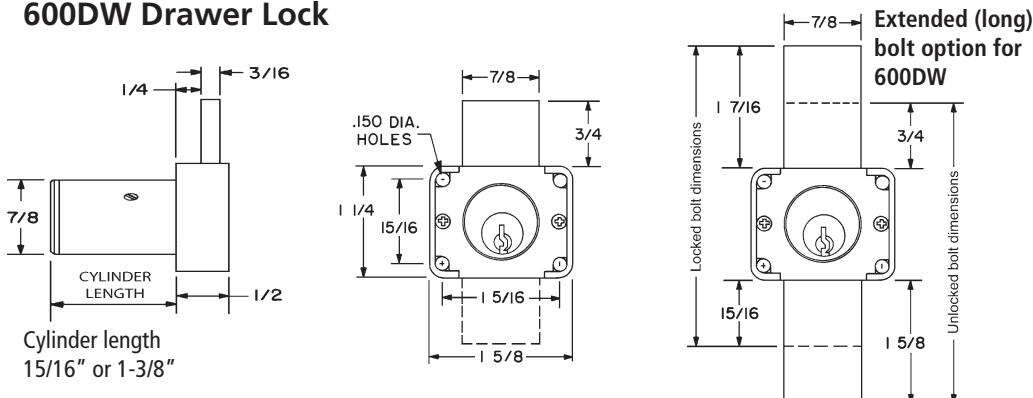
U.S. Patent No. D490,686

DIMENSIONS

500DR Cabinet Door Lock



600DW Drawer Lock



Key-Retaining Handing Chart	
KL left-hand	KR right-hand
KV vertical-hand	inverted-hand KI

Handing information is only required for key-retaining function. Standard function locks are non-handed.