

ORBITA TECHNOLOGY CO., LTD.

PROFESSIONAL & INNOVATIVE

Nancy Qiu-oversea sales, Sales3.hz@orbitatech.com, www.orbitatech.com



S3072

Two-piece design

- * 304 stainless steel
- * 10 years color warrantee
- * Sealed electronics inside

Main Features & Function



- 304 Stainless Steel
- 5 latch ANSI U.S. standard mortise
- Hidden cylinder, override mechanical key
- 4 pc AA Alkaline battery
- Low Voltage warning.
- Mifare Technology
- Classified Access Authorization
- Master, Building master, Emergency card, House keeping card...
- Lost card suspension.
- Common door function like Swimming pool, Gym, fitness center.
- Meeting room function
- 210 pcs opening records

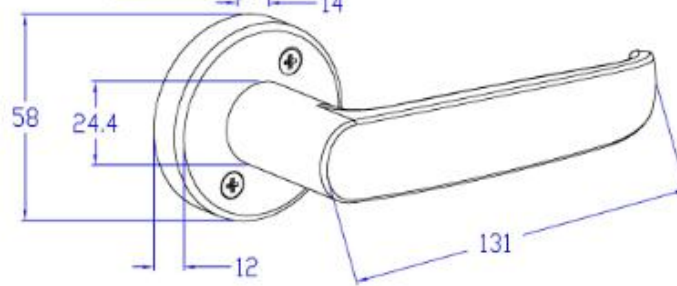
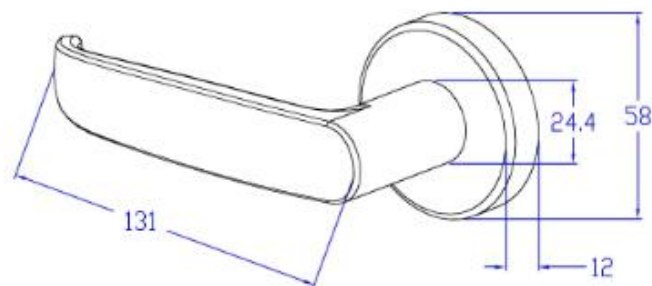
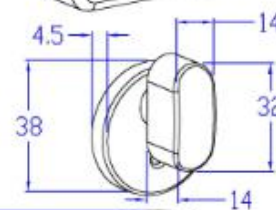
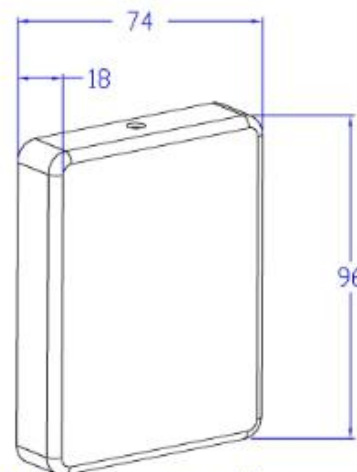


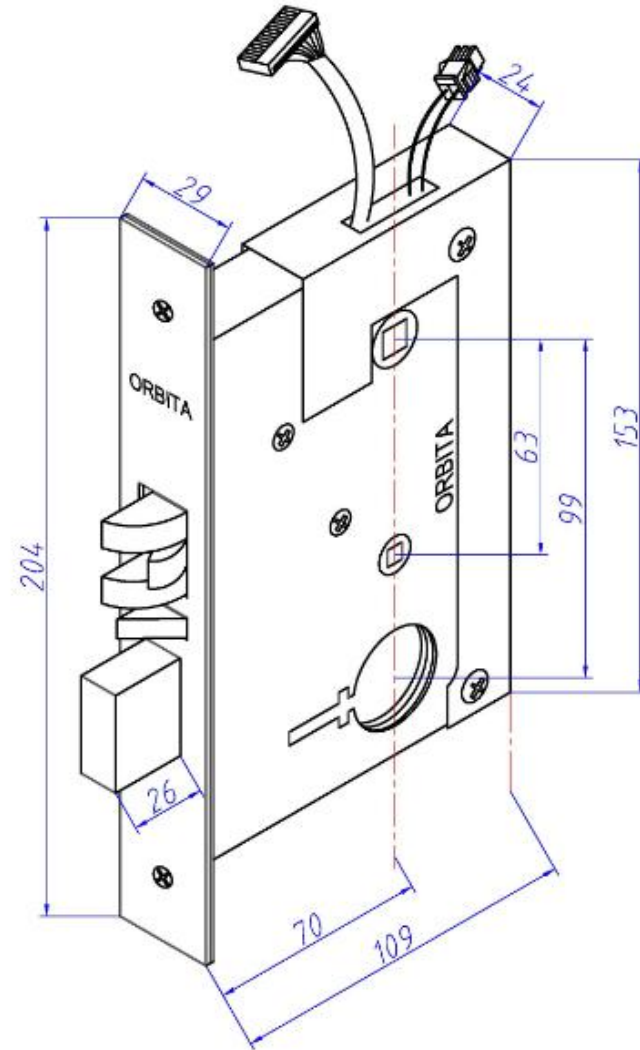
Lock Picture



Lock Dimension

S3072 lock panel size:





ANSI mortise, five latch, with deadbolt

SEM Test Compliance Service Co., Ltd.
3/F, Jinbao Commerce Building, Xin'an Fanchen Road,
Ba'an District, Shenzhen, P.R.C. (518101)

CERTIFICATE OF CONFORMITY

Certificate No.: SEM13066338

The following product has been tested by SEM Test Compliance Service Co., Ltd. with the listing standards and found to conform with the EC Council Directive of 2004/108/EC. It is possible to use CE marking to demonstrate the conformity with this EMC Directive.

Report No. : STR13068228E

Applicant : ORBITA TECHNOLOGY CO.,LTD.
Address : Bldg B8, Xiufeng Industrial Zone, Buiji, Longgang District, Shenzhen, China

Manufacturer : ORBITA TECHNOLOGY CO.,LTD.
Address : Bldg B8, Xiufeng Industrial Zone, Buiji, Longgang District, Shenzhen, China.

Description of Product : RF Card Lock
Model No. : E3010S, E3110S, E3080S, E3180S, E3011S, E3111S, E3090, E3190, E3030, E3330, E3031, E3131, E3041, E3141, E3091, E3191, E3033, E3333, E3050, E3350, E3021, E3121, F3020, F3120, F3220, F4020, E3070, E3370, E3060Z, E3160W, E3061Z, E3161Z, S3062Z, S3162Z, S3032, S3132, S3072H, S3172H, E3081, E3181.

Trade Name : ORBITA
Test Standards : EN 55022:2010
EN 55024:2010

The referred test report(s) show that the product complies with the essential requirements in the above listed standards. The applicant is authorized to use this certificate in connection with the EC declaration of conformity according to Annex 1 of the Directive.

CE

Test Laboratory
SEM Test Compliance Service Co., Ltd.
3/F, Jinbao Commerce Building, Xin'an Fanchen Road, Ba'an District, Shenzhen, P.R.C.
Date of Issue: Nov 21, 2013

Tel : +86-755-33663308 Fax : +86-755-33663399 E-mail: sem@semtest.com.cn Website: www.semtest.com.cn

VERIFICATION OF CONFORMITY
According to FCC Part 15B

Certificate No.: SEM13066059

Responsible Party's Name : ORBITA TECHNOLOGY CO.,LTD.
Address : Bldg B8, Xiufeng Industrial Zone, Buiji, Longgang District, Shenzhen, China.

Manufacturer : ORBITA TECHNOLOGY CO.,LTD.
Address : Bldg B8, Xiufeng Industrial Zone, Buiji, Longgang District, Shenzhen, China.

Description of Product : RF Card Lock
Model No. : E3010S, E3110S, E3080S, E3180S, E3011S, E3111S, E3090, E3190, E3030, E3330, E3031, E3131, E3041, E3141, E3091, E3191, E3033, E3333, E3050, E3350, E3021, E3121, F3020, F3120, F3220, F4020, E3070, E3370, E3060Z, E3160W, E3061Z, E3161Z, S3062Z, S3162Z, S3032, S3132, S3072H, S3172H, E3081, E3181.

Trade Name : ORBITA
Report No. : STR13068228E-3

Compliance With Part 15B of FCC Rules.
This device complies with Part 15 of the FCC Rules. Operation is subject to the following two conditions: (1) This device may not cause harmful interference, and (2) This device must accept any interference received, including interference that may cause undesired operation.

Responsible Party: _____
Tested By: _____
Responsible Signature: _____
Name / Title: _____
Date: _____

Issued By: _____
Name / Title: _____
Date of Issue: _____

The Certification of Verification shows that the tested sample technically complies with the FCC Part 15. The certification applies to the tested sample above mentioned only and should not implied an assessment of the whole.

Tel : +86-755-33663308 Fax : +86-755-33663399 E-mail: sem@semtest.com.cn Website: www.semtest.com.cn



Intertek Legal Entity: Intertek Testing Services Shenzhen Ltd. Guangzhou Branch
Block E, No.72 Guang Dong Software Science Park, Cuiyuan Road,
Guangzhou Science City, GET200, Guangzhou, China
Registration No: 4401011000009-2005-2020-7138

Test Verification of Conformity

On the basis of the tests undertaken, the sample(s) of the below product have been found to comply with the requirements of the referenced specifications at the time the tests were carried out.

Applicant Name & Address	: ORBITA TECHNOLOGY CO., LTD. 8th Floor Bldg B8, Xiufeng Industrial Zone, Buiji, Longgang Dist., Shenzhen, China.
Product(s) Tested	: HOTEL LOCK
Ratings and principal characteristics	: Grade 2
Model(s)	: E3041
Brand name	: ORBITA
Relevant Standard(s)/Specification(s)	: ANSIBHMA A156.13 - 2012 & ANSIBHMA A156.25-2013
Verification Issuing Office Name & Address	: Same as Legal Entity
Date of Test(s)	: September 9, 2013 to June 7, 2014
Verification/Report Number(s)	: 130909045GZU-001 / 130909045GZU-001 & 130909045GZU-002

NOTE: This verification is part of the full test report(s) and should be read in conjunction with it.

This Verification is for the reference use of Orbita's Client and is provided pursuant to the agreement between Intertek and its Client. Intertek's responsibility and liability are limited to the terms and conditions of the agreement. Intertek assumes no liability to any party, other than to the Client in accordance with the agreement, for the results, opinions or findings generated by the use of this verification. Only the Client is authorized to reuse or distribute this Verification. Any use of the Intertek and/or any of its marks for the sale or advertisement of the tested material, product or service must first be approved in writing by Intertek. The appearance and the results referred from this Verification are related only to the sample tested. This Verification is best taken to imply that the material, product, or service is or has ever been under an Intertek certification program.

Signature: _____
Name: Bao Jie
Position: Senior Manager
Date: November 19, 2014

www.intertek.com

GPT-OP-114 (7-18-2012)

ANSI/BHMA

Certificate CN1030257

SGS

The registration system of
Shenzhen Orbita Technology Co., Ltd.
9th Floor, Bldg A3, Yu Feng Industrial Zone, Longgang District, Shenzhen City, Guangdong Province, P.R. China

This has been assessed and certified in meeting the requirements of
ISO 9001:2008

For the following activities:
Design and assembly of intelligent door locks, digital safes

Further information regarding the scope of this certificate and the validity of ISO 9001:2008 requirements may be obtained by contacting the organization.

This certificate is valid from 11 February 2010 until 10 February 2015 and remains valid subject to satisfactory surveillance audits. Re-certification audit due before 29 January 2013. Renewal 1. Certified with SGS since February 2010.

Authorised by: _____

UKAS
CERTIFICATION
ISO 9001

SGS Certified Register Ltd. Systems & Services Certification
Ruscombe Business Park, Clontarf Park, Clontarf, Dublin 15, Ireland
Tel: +353 (0)1 856 6000 Fax: +353 (0)1 856 6001 www.sgscert.com

300 9014 01 100
Page 1 of 1

micros Certificate

Orbita Technology

INTERFACE

This document provides written confirmation that your interface software ORBITA, has been approved by MICROs-Fidelo and is available for installation. The interface is listed to our price list, which contains all interfaces worldwide and is distributed to all our offices and dealers.

Product Name:	Orbita Technology
Interface Type:	KIS
Low level protocol:	F-8 Duplex
Transport Layer:	TCP/IP
FKT Logo:	ORB
MF Part no.:	5003-104
Fidelo Protocol Driver:	FIAS 2.11

The approval covers the following functionality of your software:

- Key Request (New Key, Duplicate Key)
- Key Delete

The interface is available with the following MICROs-Fidelo PMS versions:

- Suite8 PMS version 8.6.x onwards
- OPERA Suite PMS version 4.0.04.x onwards
- OPERA Suite PMS version 5.0.x
- Fidelo Front Office 6.20 / Suite7.14.xx

We are looking forward to continue a successful business relationship with your company.

Yours sincerely,

MICROS-FIDELIO GmbH
January 03, 2011

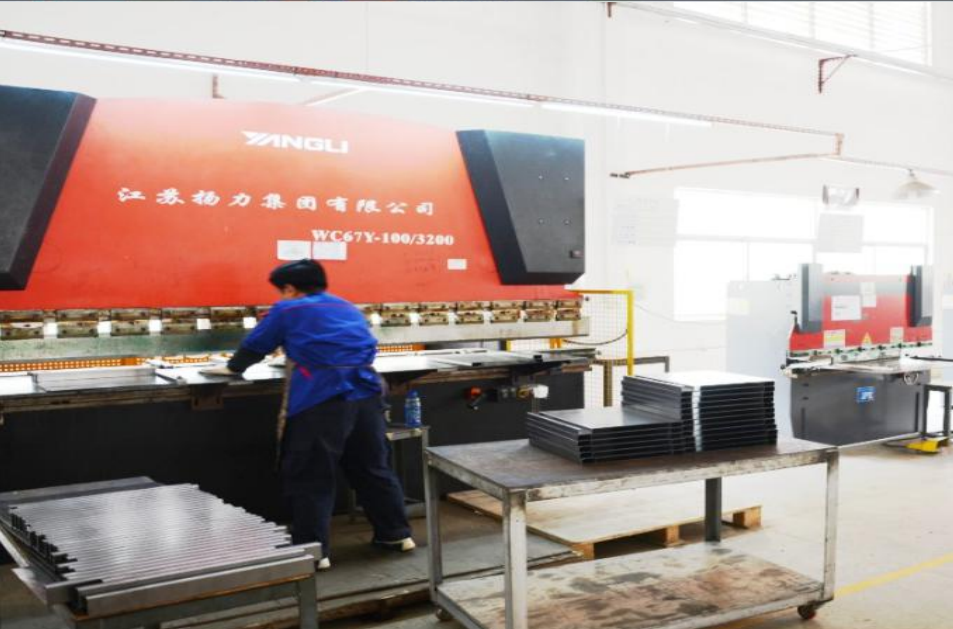
FIDELIO/OPERA

- Step by step user friendly software
- Software operation records.
- Classified operating authorization.
- Download the lock opening records.
- Support Winxp,win7, win8, vista.
- Support 32/64 digit system.
- Interface with major PMS, such as FIDELIO/OPERA.
- Suspend lost card, blacklist certain users.



- Wireless
- Program lock
- Read & update lock time
- Download & read Events
- Open lock as master key

Manufacturing facility



Manufacturing facility



Hotel references



More than 10,000 hotels ranging from 3 to 5 star, covering 100 countries, using Orbital hotel products.

Accor Group: Novotel, Ibis,
Hop inn, 22 hotels, 2014-2015



Novotel Comcala Beach,
Phuket, thailand 180 rooms