

ORBITA TECHNOLOGY CO., LTD.

PROFESSIONAL & INNOVATIVE

Nancy Qiu-oversea sales, Sales3.hz@orbitatech.com, www.orbitatech.com



E3064 RFID Lock Slim Panel

- * 2mm 304 stainless steel panel and handles
- * Surface color lasts more than 10 years
- * Slim panel & mortise for narrow frame
- * Update from mechanical lock to RFID lock easily
- * Hidden cylinder, mechanical key override

Main Features & Function



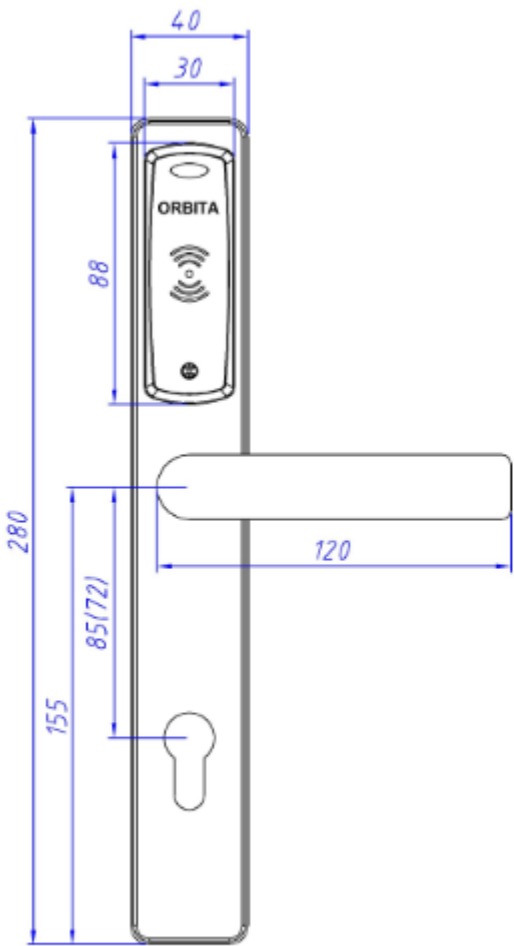
- 304 Stainless Steel panel and handles
- Euro standard mortise
- Override mechanical key
- 4 pc AA Cell, minimum 12 months lifespan.
- Low Voltage warning.
- Mifare Technology



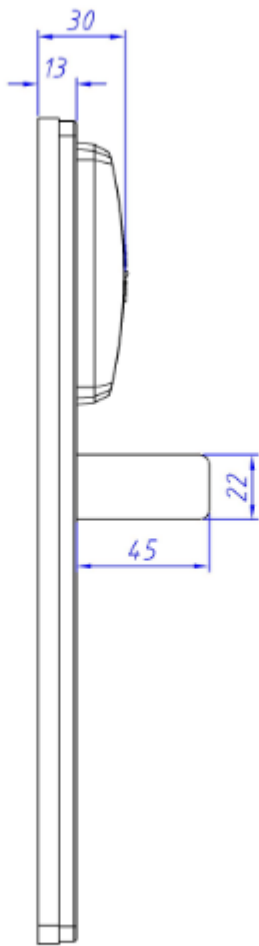
Lock Picture



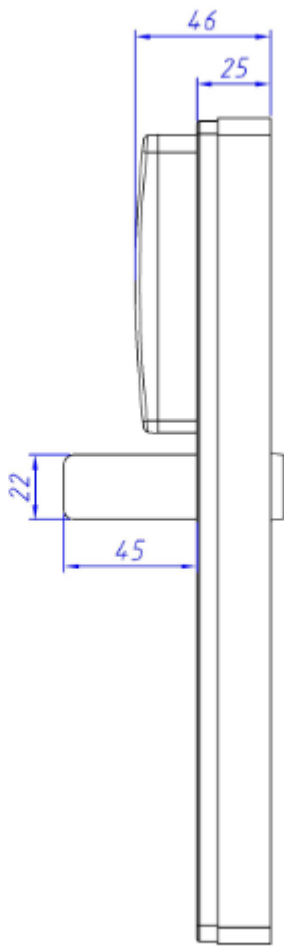
Lock Dimension



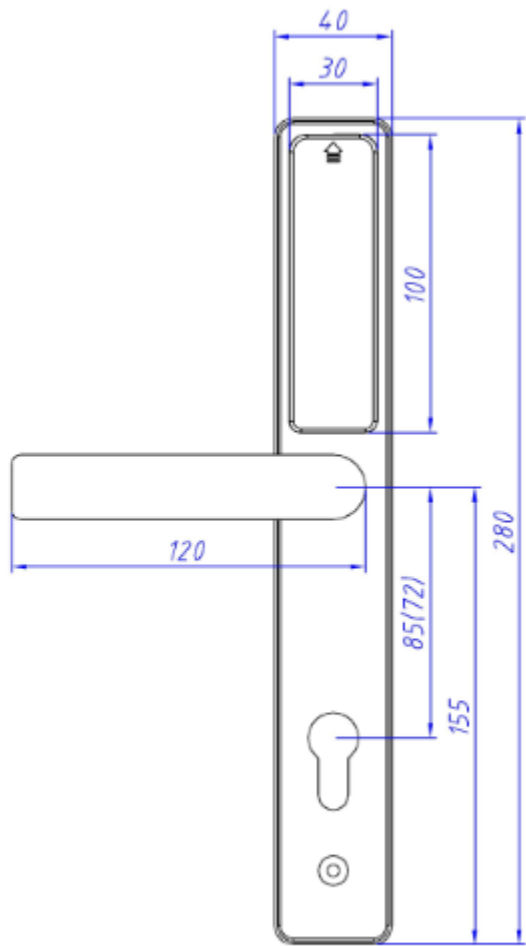
Front View



Side View

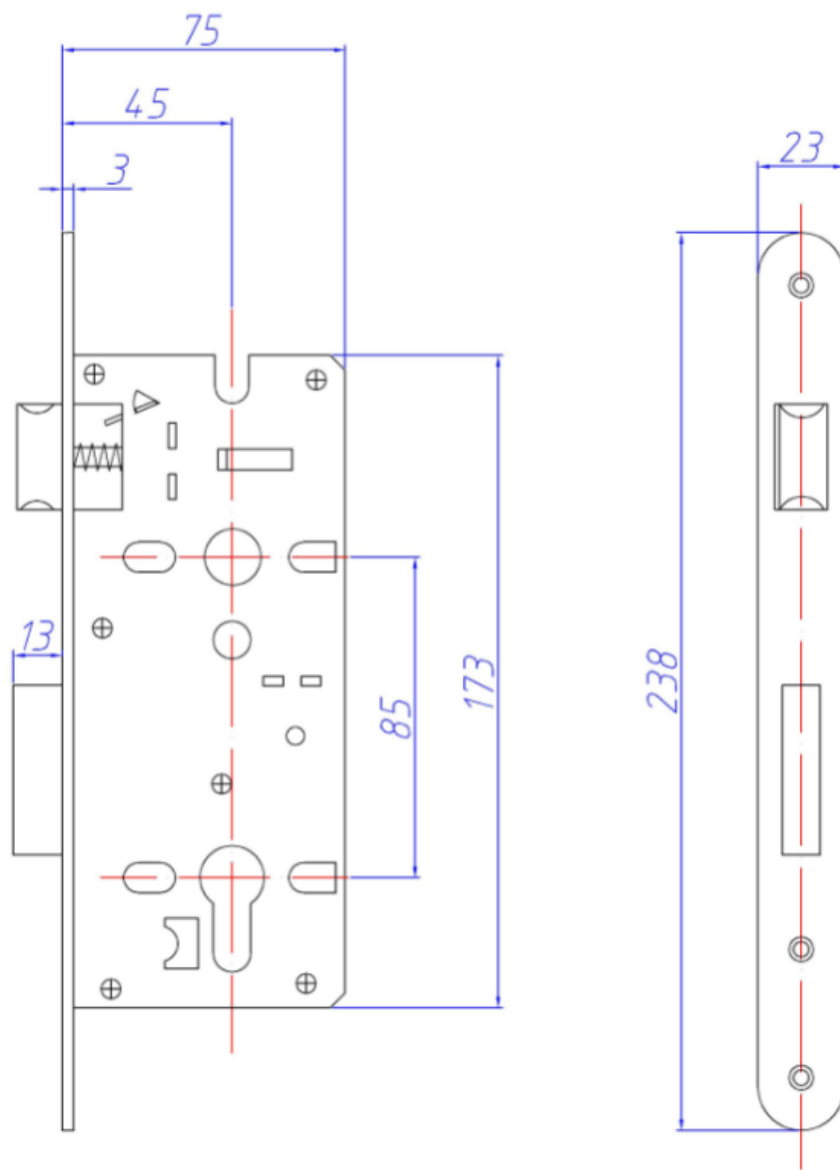


Side View

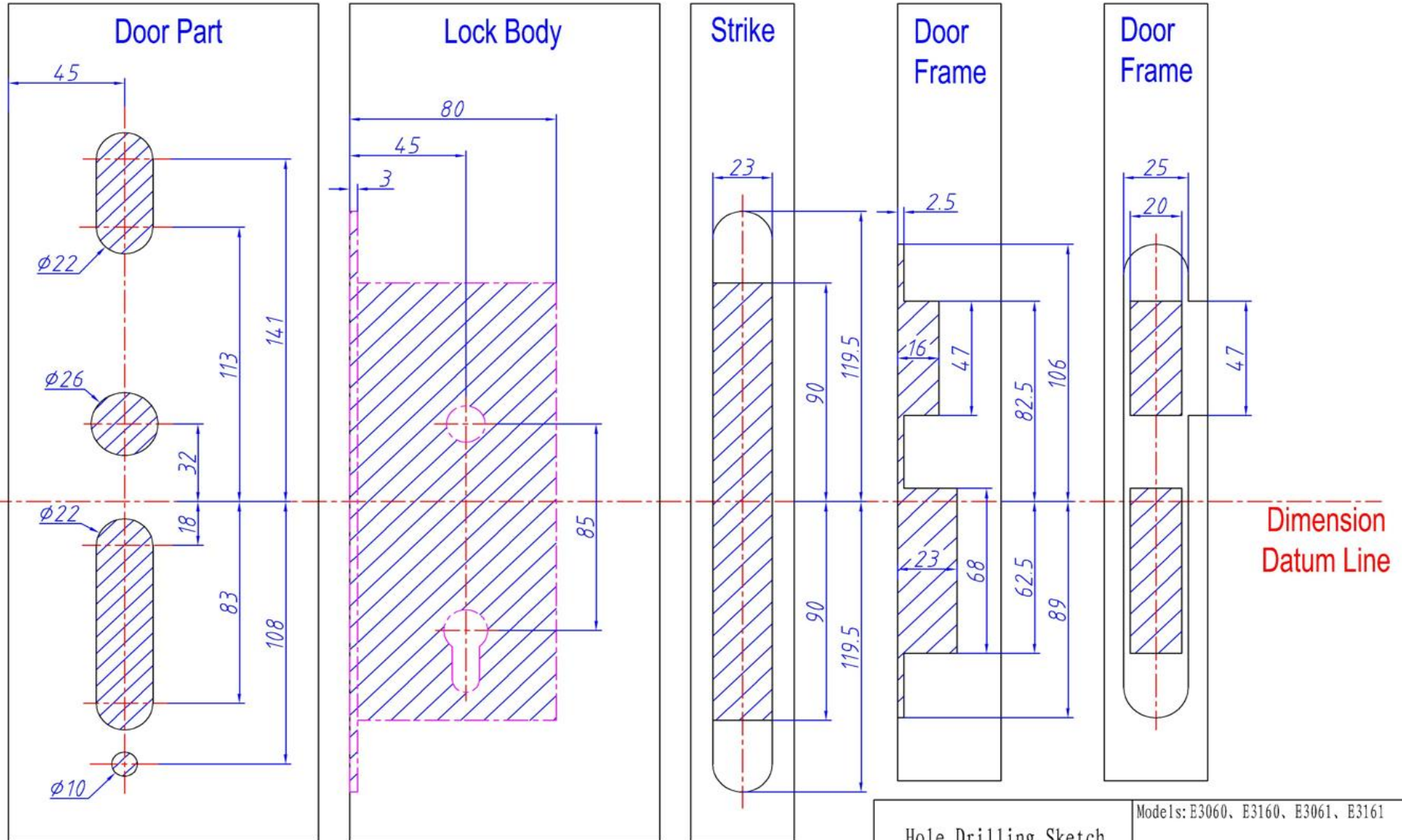


Back View

Mortise: EURO 4585 mortise



Drilling Template



- Note:**
1. The continuous thick line parts are to be drilled, pls refer to the picture dimensions.
 2. Centerline of lock body is the dimension datum line.
 3. Dimension unit: mm.
 4. The carmine dot line part is lock body, the continuous thin line part is door part.

Hole Drilling Sketch		Models: E3060, E3160, E3061, E3161
Drawer		Orbita Technology Co., LTD
Assessor		

Update mechanical lock to Mifare card lock directly, without drilling extra hole.

