

## INTRODUCTION

The 5600 Series Operator offers functionality and control at an affordable price. Ideal for retrofit applications, the 5600 Series converts interior, non-fire rated doors for ADA compliance easily and affordably and provides a simple way to achieve touchless environments in public restrooms. Available for push or pull mounting, this unit can be operated manually or activated by wall switches, or radio frequency devices. Easy to install, set-up and adjust, the 5600 Series is perfect for ADA-compliant offices, classrooms and dorm rooms, and touch free applications like public restrooms, labs and examination rooms.



## FEATURES

- Push or pull side mounting
- Non-handed
- Quiet operation
- Electrically controlled backcheck, sweep and latch
- Activation options: wall switches, radio frequency devices
- Ease of installation and set-up
- Onboard 24VDC (1.1A) power supply for accessories
- Door closer mode for manual usage
- Electronic motor dampening - provides feel of high performance, manual door closer
- Electric hardware and access control interface
- 1-year limited warranty

## 5600 SERIES

### LOW ENERGY POWER OPERATORS

#### FUNCTIONS

- Adjustable Hold Open
  - Amount of time a door will stay in the full open position after an activation
- Executive Mode Feature
  - When door receives activation signal it opens and remains open until either a second signal is received or door is manually moved in closing direction
- Obstruction Detection
  - Motor stops if door is obstructed during opening; door will rest against obstruction
- On/Off Switch
  - Disables operator activation
- Open Delay
  - Delays operator opening for locking hardware
- Overload Safety Shut-Off
  - After 2 minutes of receiving a door activation signal, inverter times out and door closes
  - Prevents motor/inverter damage
- Push & Go
  - As the door is manually opened, the operator “senses” movement and opens door to the full-open position

#### SPECIFICATIONS

##### General Specifications

Operators for interior doors shall be products of one manufacturer and be matched in style. Operator (non-fire rated doors) closing force shall be adjustable to ensure adequate closing control and shall simulate conventional door closer opening and closing forces unless the power operator motor is activated or in the event of a power outage to the operator. Operators shall be non-handed and have electrically controlled backcheck, sweep, and latch with manual adjustment to set both the full open and full closed door positions. Maximum door open shall be adjustable up to 95°, pull side mounting, conditions permitting. Operators can be SELECTIVELY ACTIVATED (i.e. external wall switches, radio frequency devices). Operators shall have input line rating of 120VAC, 0.6A, and include on board relay contact for interfacing with products having a rating of 24VDC at 1A. Door operators shall include an external On/Off Switch to defeat powered opening cycle and an internal circuit breaker switch to interrupt input power for servicing. Operators shall be ETL certified and conform to ANSI/U.L. standard 325 for automatic closing doors. Door operators shall be in compliance with the requirements of the Americans with Disabilities Act (A.D.A.) and ANSI/BHMA standard A117.1.

##### Additional Detailed Specifications

When activated, the door operator shall, by means of an integral motor, power open the door at both a speed and force adjustable to meet accessibility codes. The door shall be powered from a door closed position to a full door open position and remain in momentary hold open for 0 to 30 seconds (adjustable 0 to 30 seconds); (A.D.A. requires 5 seconds minimum hold open). Operators shall be capable of allowing the door to be opened manually from 0 to 95°, conditions permitting. Once door operator reaches full hold open position, if reinitiated, the momentary hold open time shall restart from the initially set hold open time. If door operator is initiated during the closing cycle, the operator shall revert to opening cycle beginning at that door position. Obstruction detection during opening shall neutralize and reverse motor action reverting motor to closed position allowing door to close by means of the integral motor. The obstruction detection feature shall be integral to the door operator. During closing cycle, the door operator shall close door by means of integral motor power not to exceed a closing force of 15 lbf. In the event of power loss, the door will remain in the position at the time of the power loss during the opening or the closing cycles.

#### ELECTRICAL DATA

- Power Input; 120 VAC, 60Hz
- Current Draw: 0.6A
- Relay Output: SPDT
  - Normally open/normally closed (jumper)
  - For electric strike function

#### CERTIFICATIONS

- ANSI / BHMA A156.19 certified
- ETL certified; conforms to ANSI/UL standard 325 for automatic closing doors
- Comply with requirements for the Americans with Disabilities Act (A.D.A.)
- This product is manufactured in an ISO 9001, ISO 14001 facility
- UL certified environmental product declaration

## APPLICATIONS



### 5610

HINGE (PULL) SIDE OF DOOR

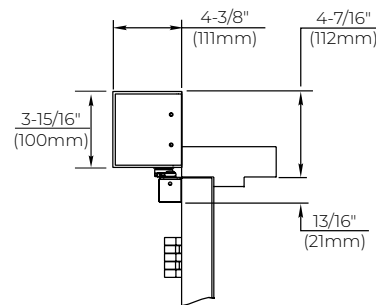
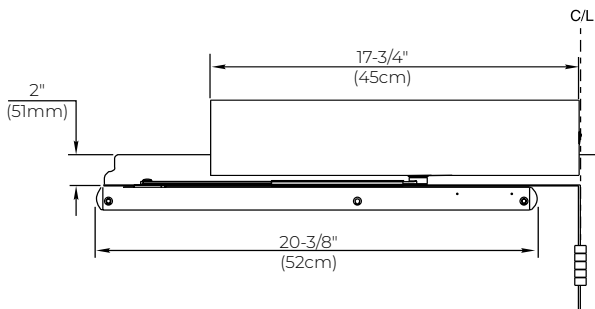
- 95° swing (trim permitting)

Door width:

Minimum = 32"

Maximum = 36"

An auxiliary stop is recommended.



### 5630

HINGE (PUSH) SIDE OF DOOR

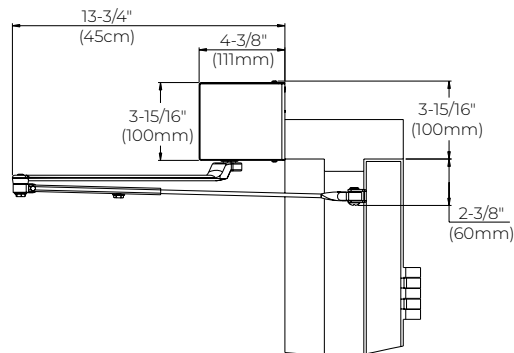
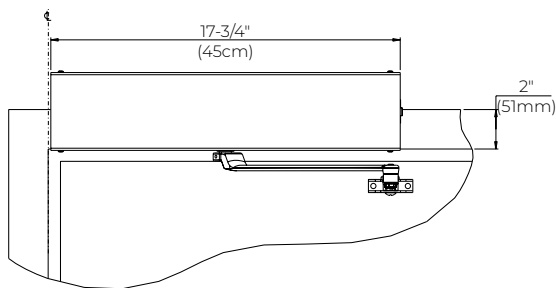
- 110° swing (trim permitting)

Door width:

Minimum = 32"

Maximum = 36"

An auxiliary stop is recommended.



## 5600 SERIES

### LOW ENERGY POWER OPERATORS

#### HANDS-FREE KITS



**5610K1 (Pull)  
5630K1 (Push)**  
Kit Includes:

- Operator
- Cover
- Push or Pull Arm
- 700 Wave to Open Switch

**5610K2 (Pull)  
5630K2 (Push)**  
Kit Includes:

- Operator
- Cover
- Push or Pull Arm
- (2) 700 Wave to Open Switches



**5610K1-SC (Pull)  
5630K1-SC (Push)**

Kit Includes:

- Operator
- Cover
- Push or Pull Arm
- 700 Wave to Open Switch
- Strike for Cylindrical Locks



**5610K1-SM (Pull)  
5630K1-SM (Push)**

Kit Includes:

- Operator
- Cover
- Push or Pull Arm
- 700 Wave to Open Switch
- Strike for Mortise Locks

#### ADA KITS



**5610K3 (Pull)  
5630K3 (Push)**

Kit Includes:

- Operator
- Cover
- Push or Pull Arm
- (2) ADA1019-2 Switches
- (2) 548 Transmitters
- 539 Receiver
- 5700PC Power Cord

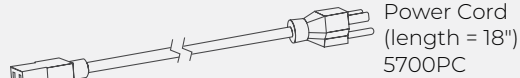
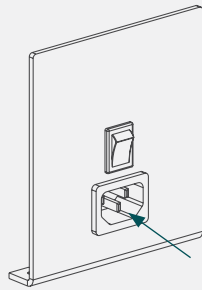
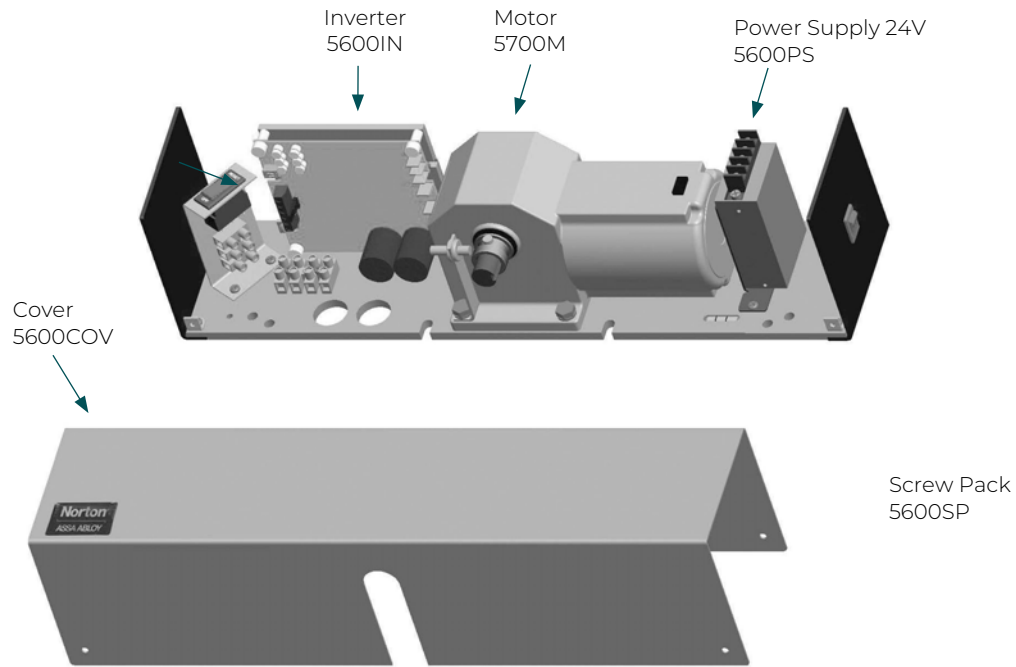
#### EXECUTIVE KIT



**5610EX (Pull)  
5630EX (Push)**

Kit Includes:

- Operator
- Cover
- Push or Pull Arm
- 536 Transmitter

**PARTS LIST**


*NOTE: Consult local authority having jurisdiction to confirm use of power cord is acceptable. Operator must be furnished with the power cord from the factory. Power cords cannot be added to operators in the field. Maximum distance from operator to receptacle is 15".*

**ARM ASSEMBLIES**

Part #	Includes
5610M	Motor & Main Arm Assembly
5630M	Motor, Main Arm & Tube Assembly