

NETDK & NETPDK Installation Instructions



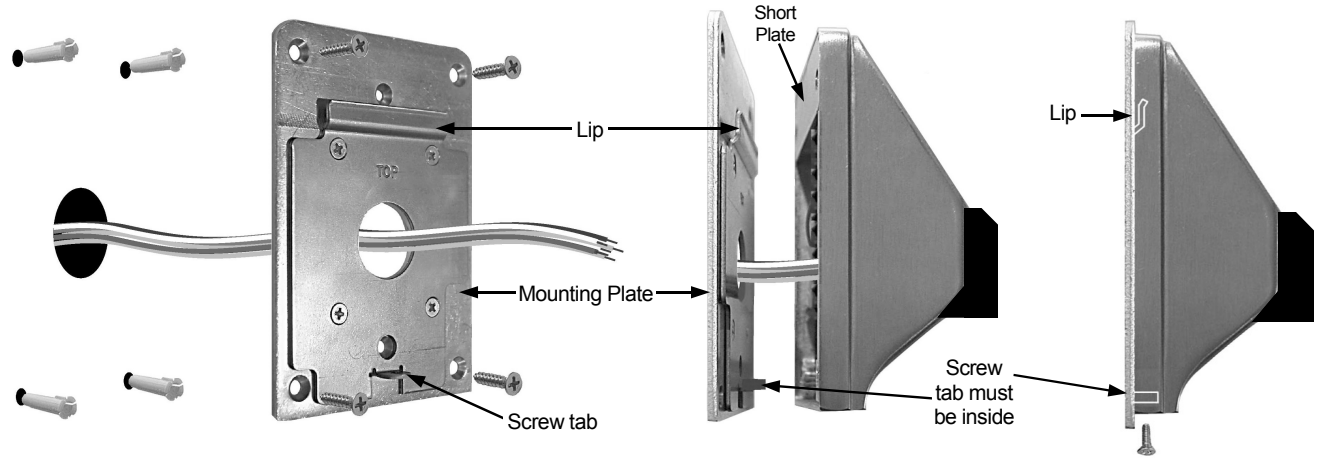
NETPDK



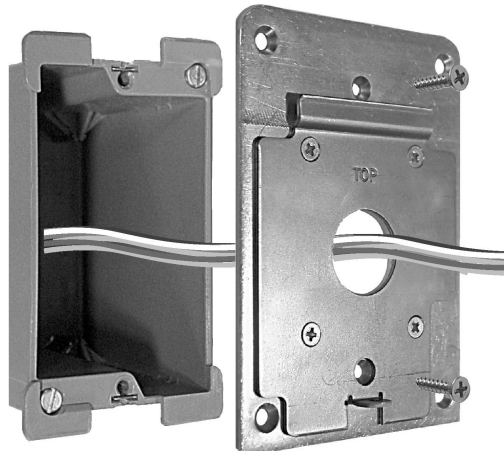
NETDK

WALL INSTALLATION

1. Use Mounting Plate as a template to trace and drill four 7/32" diameter holes for wall anchors and 1" hole for wires.
2. Pull all existing wires through wall and Mounting Plate.
3. Position Mounting Plate and fasten with four wall anchor screws. Connect wires as necessary using wire nuts supplied. Push wires inside.**
4. Position unit so that the Short Plate can be placed over the lip on the Mounting Plate.
5. Press unit flush with Mounting Plate and pull down. Fasten with screw.



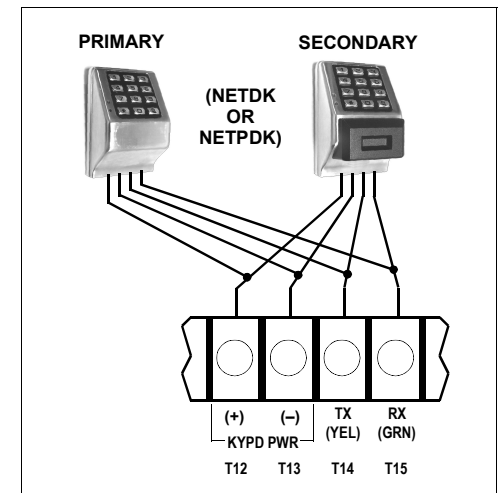
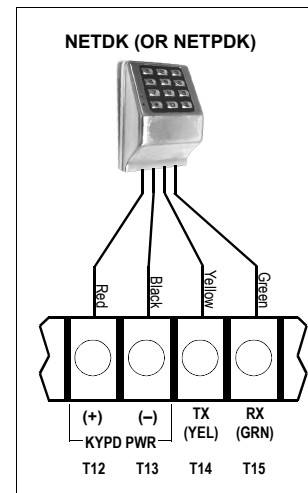
GANG BOX INSTALLATION



- A. Pull all existing wires through wall Gang Box and Mounting Plate.
- B. Position Mounting Plate and fasten with two flathead screws

WIRE COLORS AND CONNECTIONS

COLOR	FUNCTION	TERMINAL
RED	(12V POWER)	T12
BLACK	(PWR GROUND)	T13
GREEN	(RX DATA)	T15
YELLOW	(TX DATA)	T14



TRILOGY NETWORK™
NETDK & NETPDK
 SECURED SINGLE-DOOR
 OR DOUBLE-DOOR
 DIGITAL KEYPADS



ALARM LOCK

345 Bayview Avenue
 Amityville, New York 11701
 For Sales and Repairs 1-800-ALA-LOCK
 For Technical Service 1-800-645-9440
 Publicly traded on NASDAQ Symbol: NSSC

© ALARM LOCK 2010