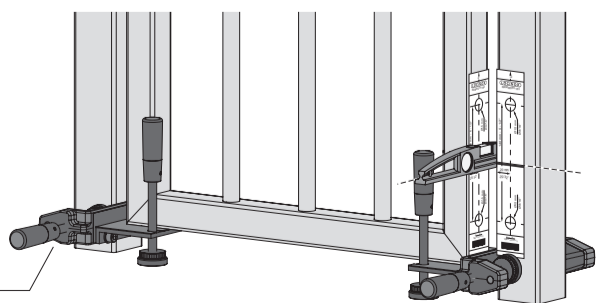


DRILLWISE 2

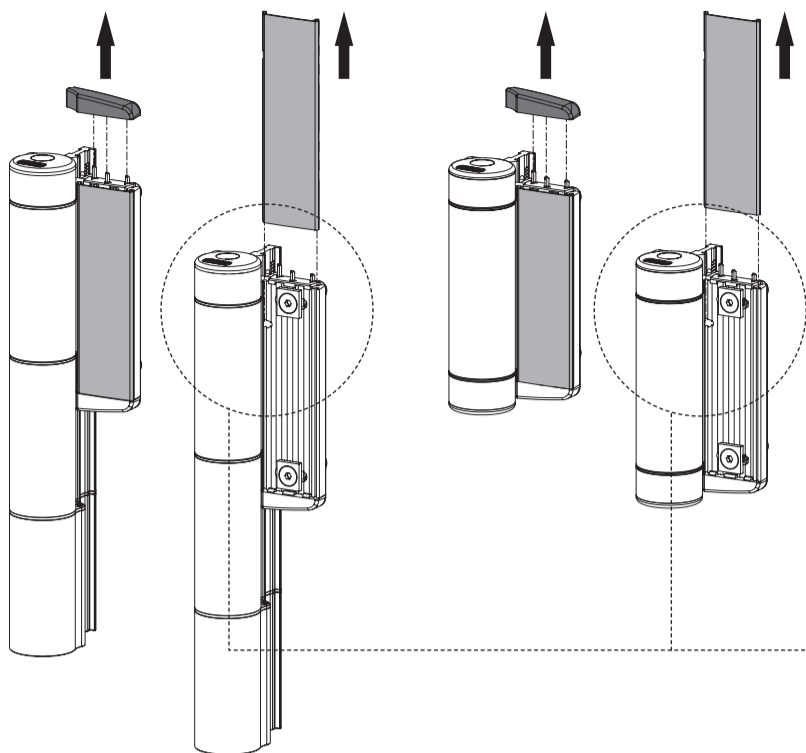
DRILLWISE 2



5

MAMMOTH

RAPTOR

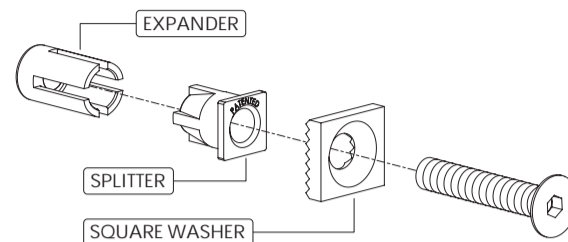


REMOVE THE COVER CAPS FIRST TO REPLACE THE QUICK FIX IF REQUIRED

6



ONLY FOR WALL THICKNESSES FROM 0.200" UP TO 0.313". REPLACE THE PRE MOUNTED QUICK FIX BY THOSE IN THE QFIXSET USA 3 BAG

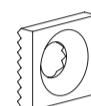


1

REMOVE EXISTING QUICK FIX WHERE NEEDED. DISCARD EXPANDER, SPLITTER, BOLT (KEEP WASHER!)

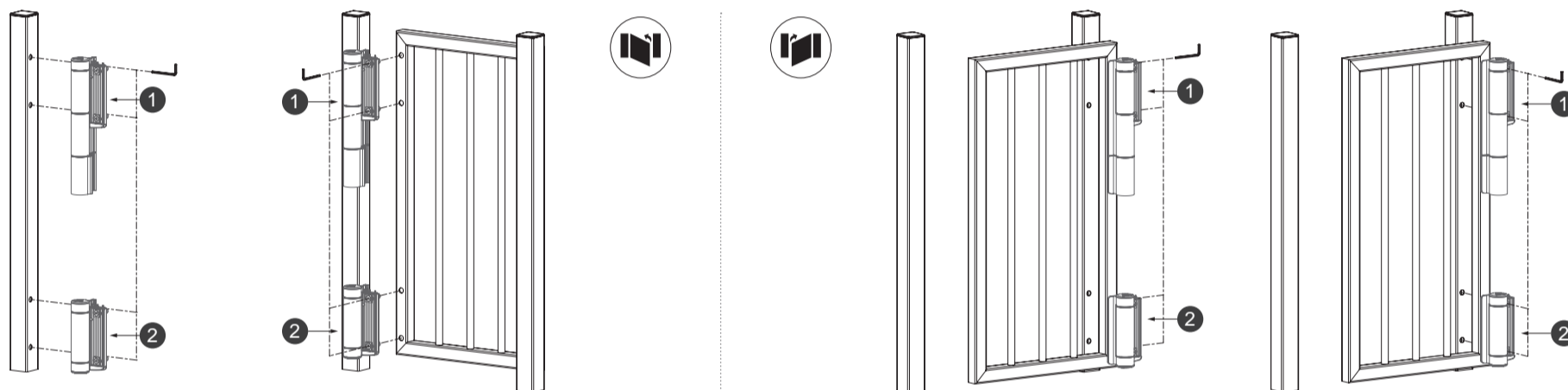
2

REPLACE WITH QFIXSET USA 3 AND REUSE THE SQUARE WASHER



7

HEX 5mm

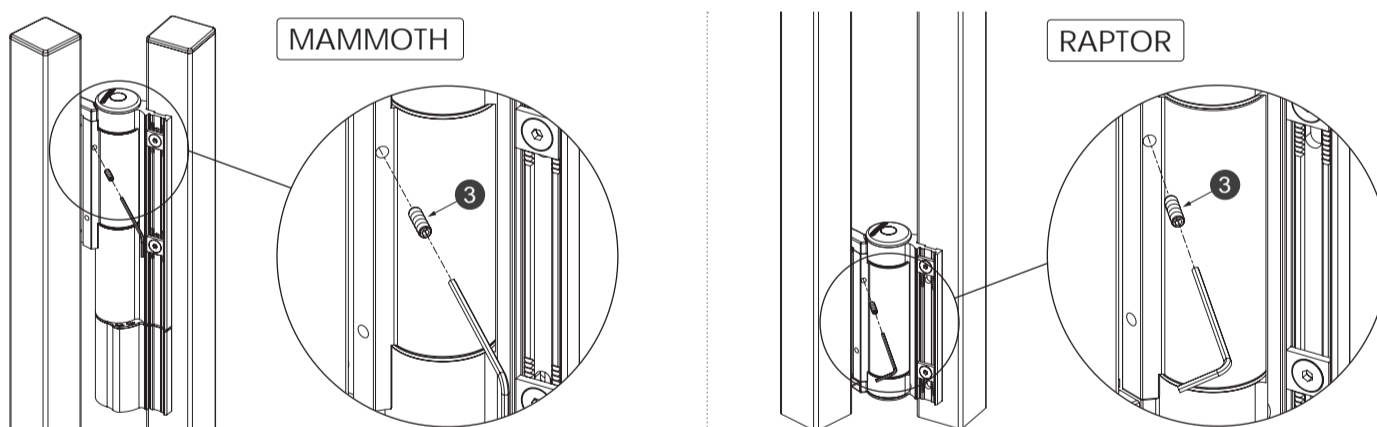


8

MAMMOTH

RAPTOR

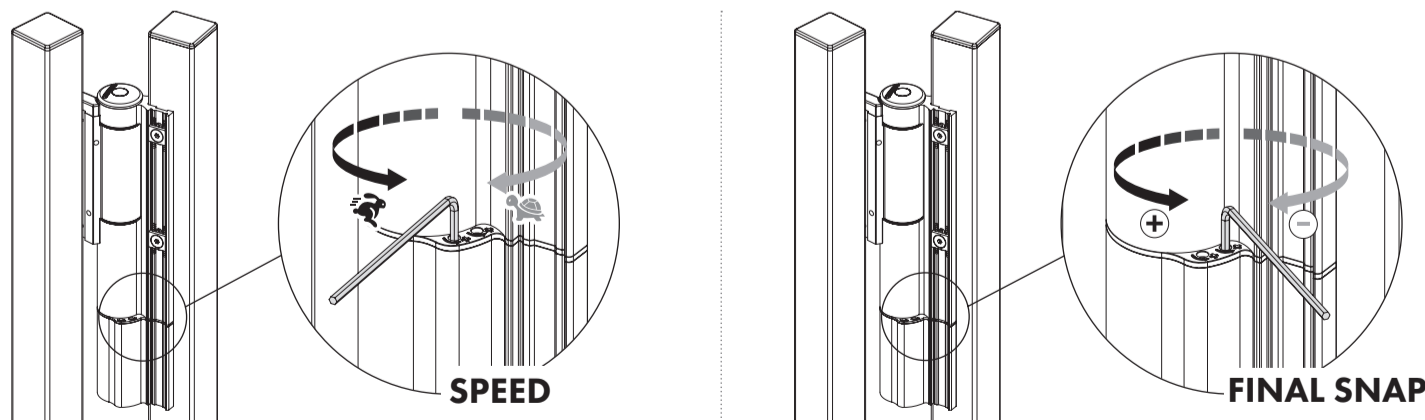
HEX 3mm



RE INSTALL THE COVER CAPS AND LOCK THE QUICK FIX COVER WITH SET SCREW

9

HEX 3mm



[pictures@locinox.com](mailto:pictures@locinox.com)

SUCCESSFUL INSTALLATION? Please send us your pictures & videos

INSTALACION EXITOSA? Por favor envíenos sus fotos y videos

**LOCINOX**

Let's make it better together

Doc. Nr.: MANU-000424

Locinox USA • 460 Windy Point Drive • Glendale Heights • IL 60139  
Tel. 877-LOCINOX • E-mail: salesusa@locinox.com



MANU-000424