



FEATURES

- Mechanical, keyless deadbolt lock
- Installs in minutes with EZ plates
- One user code
- Thumbturn on interior and exterior
- Changeable handing
- Adjustable deadbolt backset
- Covers standard 2 1/8" hole

OPTIONS

Single Combination, Double Combination (DC)



Single Combination



Double Combination



DIMENSIONS & SPECIFICATIONS

Dimensions:

- Length: 4 7/8"
- Width: 1 1/2"
- Depth: 1 3/4"

Total Coverage with Trim Plates: 5 5/8" L x 2 1/2" W

Backset: Adjustable

Door Thickness: 1 1/8" to 2", up to 5" with Extension Kit

Door Prep Edge Bore: 1"

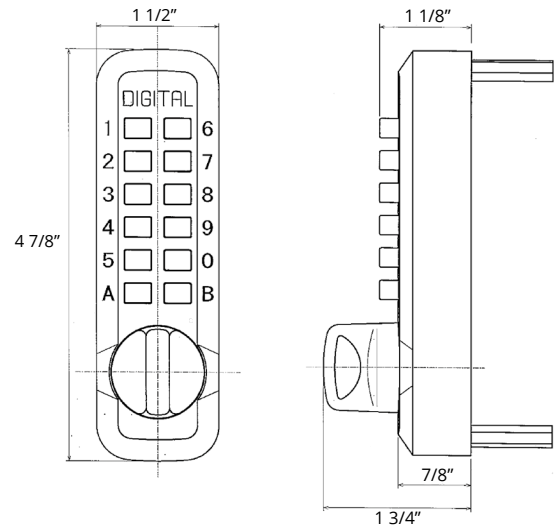
Material: Zinc-plated steel

Teflon coated stainless steel interior components

For Exterior & Interior Use

Weather Resistant

Lifetime Mechanical Warranty



ORDERING INFORMATION

Finish	Single Combination	Double Combination
Antique Brass	M210AB	M210ABDC
Bright Brass	M210BB	M210BBDC
Bright Chrome	M210BC	M210BCDC
Jet Black	M210JB	M210JBDC
Marine Grade	M210MG	M210MGDC
Oil Rubbed Bronze	M210OB	M210OBDC
Satin Brass	M210SB	Not Available
Satin Chrome	M210SC	M210SCDC
Satin Nickel	M210SN	M210SNDC
White	M210WH	M210WHDC

