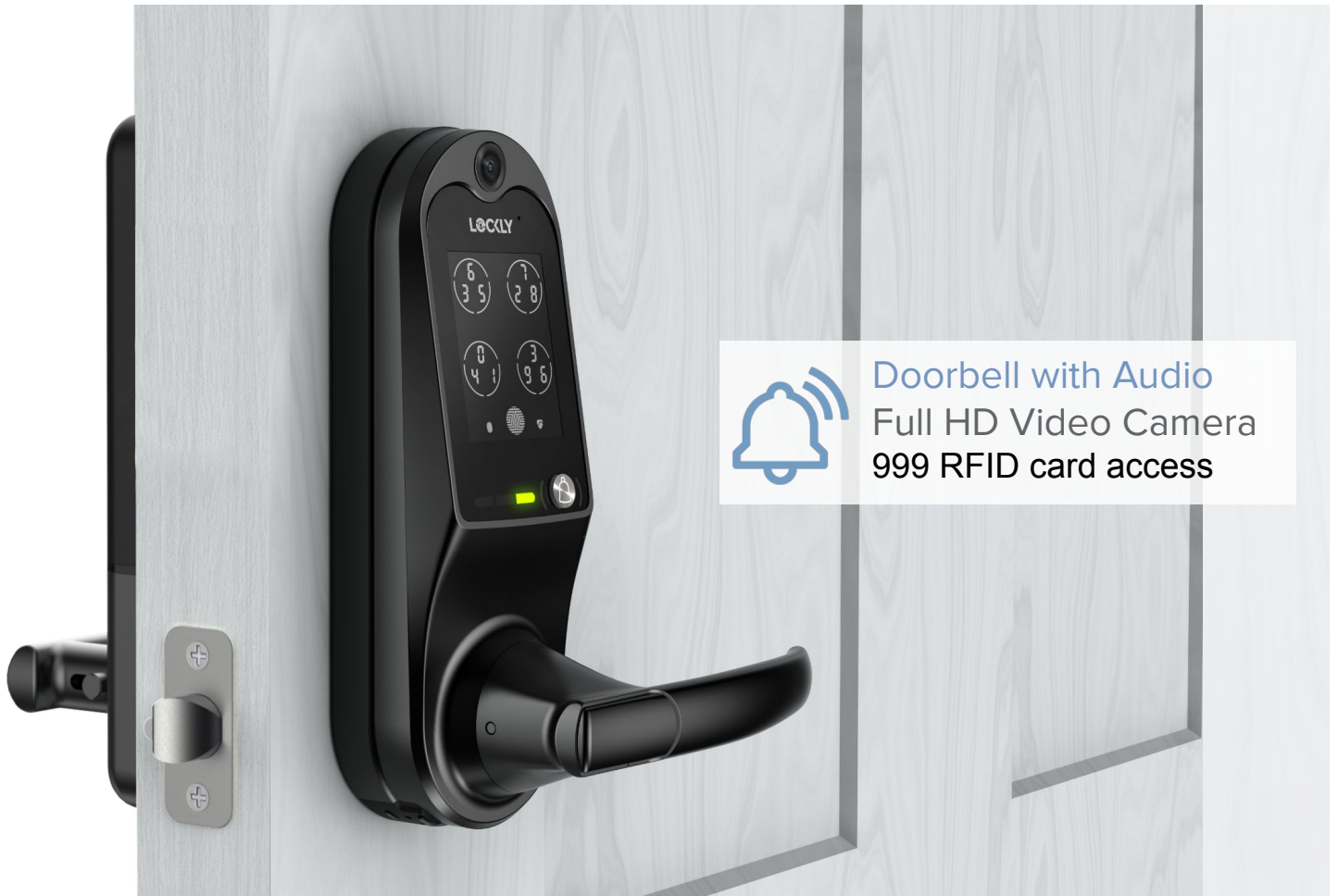




LOCKLY GUARD[™] VISION LATCH 698L



Doorbell with Audio
Full HD Video Camera
999 RFID card access

Secure and manage what's most important to you. The integrated Doorbell and Full HD video camera provides extra peace of mind allowing you to speak and see who's at your front door before letting them in. With provision for 999 RFID cards making it suitable for high traffic door requiring constant monitoring and checks.



Multifamily



Residential



Offices

- Front doors
- Office doors
- Back doors
- Hotel Rooms
- Rental Cabins
- And more



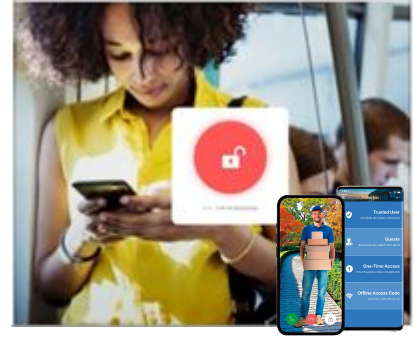
RFID / Fob Key Access

Fast and secure access, stores up to 999 fob keys or RFID cards..



Your Finger is Your Key

3D Biometric Fingerprint sensor stores up to 99 fingerprints.



Mobile App Control

Unlock, lock, or check door on your smartphone

Features and benefits



Full HD video camera

Streams real time video to your smartphone



Doorbell with 2-way audio

Greet guests in real-time from smartphone from anywhere in the world



100M+ accesses granted

Most trusted fingerprint sensor smart lock



Hack-proof Keypad

Patented PIN Genie® shuffling the keypad numbers



Wi-Fi alerts and control

Get status, alerts, and control from anywhere



MIFARE RFID or Fob key

Fast, easy and secure access



Weatherproof

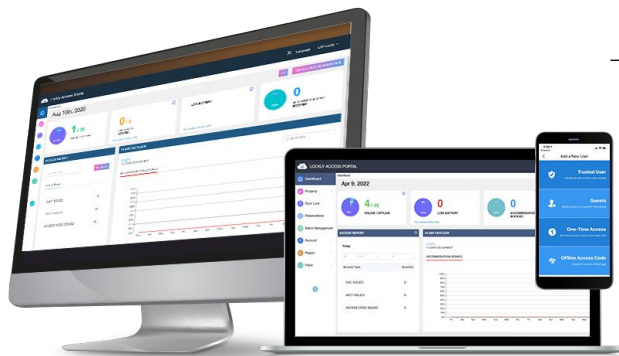
IPX4 works in -4°F to 151°F (-20°C to 66°C)



Re-key capable

Replace the key not the lock with standard re-key kit

Property management



See the big picture from here

Works with Locky\OS Total Access a full property management system of software, products, and services designed to allow you to view and control where, when, and by whom your property's being accessed from anywhere in the world.

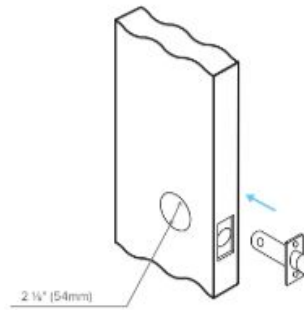


Installation



Easy, one-person, DIY installation

Convert your existing deadbolt to a fingerprint access smart lock with common household tools in less time than a cup of coffee.



Handle Rotates for Left/Right Swing Doors



Download installation guide



Download door drilling template



Watch installation video



Download user manual

Access and control options



Your finger is your key

Keyless access

Secure, fast, and convenient fingerprint, access code, RFID on site set-up, allows management of properties from anywhere

Mobile App Control

Remotely unlock, lock, check door, track access history and unique user profile data.

eKeys & eBadges

Grant one-time use or specific time duration access by issuing codes, digital eKeys or eBadges remotely via a mobile device.

Offline Access Codes™

Grant access codes to trusted users. Codes work offline without Wi-Fi or Internet.

Fast Pass MIFARE RFID access

Supports up to 999 cards. (3 RFID Cards included)

Replace the key not the lock

Re-key with readily available standard 5-pin cylinder SC1 re-key kits.

Childproof Switch

Prevent children or adults with mental disabilities (such as Dementia or Alzheimer's) from wandering outside or away from home.



Hack-proof Keypad



Secure Scan-to-Open



Mobile app Control



Full HD Video Camera*



Doorbell with 2-Way Audio



RFID Card access

Real-time Monitoring and Status

Monitor open/closed door status with real-time alerts sent to your smartphone.

Video Monitoring and Recording*

Live stream and record videos in full HD that can be stored locally

Doorbell with 2-Way Audio*

Doorbell with unlocking and 2-way real-time conversations

Secure Scan-to-Open - Unlock by unique QR code, revoke capability anytime

Auto Locking

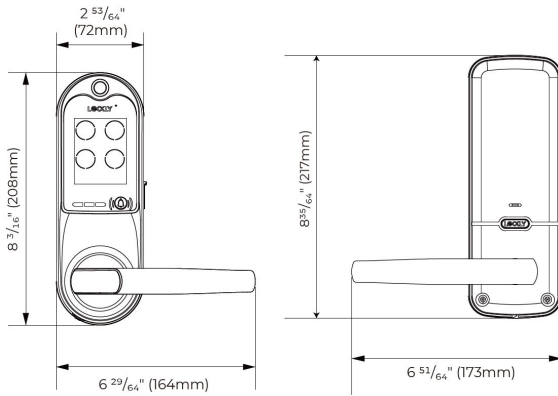
Never worry about forgetting to lock the door with programmable auto-locking.

Wi-Fi control

Monitoring and control from anywhere and voice assistant control.

Lockly Air Transfer programming

Duplicate user profiles from an existing Lockly smart lock to another lock in just a few clicks.



Electronic Specifications

Video Camera	Full HD Video Camera (720P/1080P)
Access Codes	Stores up to 52 PIN access codes
RFID/Fob key Access	Stores up to 65,535 ⁰⁵ MIFARE RFID/fob
Fingerprint Access	Stores up to 99 biometric fingerprints
Remotely Shareable Temporary Access	Unlimited ⁰⁵ Offline Access Codes/ eBadges ⁰⁵
Access Logs	Unlimited ⁰⁵ Accessible via LocklyPro Commercial app or LocklyOS™
Visual and audible	Exterior: LED (Red, Yellow, Green,) Interior: LED (Blue) Configurable Lock/Unlock Audio Indicator Intercom (Doorbell, Microphone, Speaker)
Communication standards	BLE 4.2 , Wi-Fi 2.4GHz z Advanced Encryption Standard (AES), 256-bit
Gateway communication range (networked solution)	Up to 98' (30m) BLE Up to 197' (60m) Wi-Fi Unobstructed open environment
Command Response	Responds to command from host in less than 3 seconds when linked to Lockly Wi-Fi Hub 0.2S on Fingerprint Recognition
Connectivity options	LocklyPro Commercial app, LocklyOS ALL in real-time communication
Available Signal Status	Battery Status via App Open/Close Door Status Bluetooth Connectivity Indicator Sensor LED (Red/Green)
Battery Life	AA Alkaline Batteries x 8 Up to 1 year (offline mode) up to 10 months (regular use with App & Sensor)
Operating temperature	-4°F to 151°F (-20°C to 66°C)
Operating Humidity	0 - 100% non-condensing

⁰⁵ Requires LocklyOS subscription

¹ Requires Lockly Guard Credential Manager PGA350. Up to 999 RFID/fob key can be stored without PGA350

Credential Specifications

Credential technologies	RFID Card (13.56 MHz), BLE (2.4 GHz) Wi-Fi (2.4GHz) Capacitive Sensor Patented PIN Genie Keypad
Standards	ISO 14443
Maximum read range	RFID: up to 0.79" BLE: up to 98' (30m) Wi-Fi: up to 197' (60m)
RFID/Fob compatibility	MIFARE® S50
Mobile compatibility	LocklyPro Commercial app BLE 4.2 LocklyOS™

Mechanical Specifications

Handing	Field reversible
Materials	Premium Zinc Alloy chassis and escutcheon 45 mins Fire tested
Door Thickness	1-3/8" - 2" (35mm- 50mm)
Backset	Adjustable 2-3/8" or 2-3/4" (60mm or 70mm) 1" x 2 1/4" round corner faceplate
Strike	Latchbolt: 1 3/4" x 2 1/4", round corner, Dust box included
Bore	2-1/8 " (54mm) diameter Bore hole 1" (25mm) diameter latch hole
Physical Keys	SC1 Re-keying compatible, 2pcs included

Certifications /Warranty

Certification	 Intertek 5026048 UL10(C) UL 10(B) NFPA 252 CAN/ULC-S104
Warranty	Lifetime 24/7 Technical Support 2 -year Limited Mechanical & Finish 2 -year Limited Electronics

Ordering information

1 Edition PGD698L Vision Latch	3 Finish SS Satin Nickel MB Matte Black AB Aged Bronze Custom colors available (advanced order required)	5 RFID / Fob key 3 RFID tag keys (included) PGA803WH Tag key (10pcs/pack, optional) PGA803P Fob key (10pcs/pack, optional)
2 Wi-Fi Hub PGH123 (included/optional) *Wi-Fi hub required	4 Sensors Built-in Wired Sensor (included/optional) Wireless Door Sensor (optional)	6 Credential Manager not included/optional PGA350