

LCN®

# 4000 Series

Surface mounted closers





# Delivering reliable solutions for over a century

## Slamming church doors are the beginning of LCN's rich history

In 1877, our founder was hired to solve this problem of a Boston church's swinging doors that slammed noisily shut. It led to the invention of the world's first door check. His innovation continued, leading to the formation of the LCN brand in 1926. A passion for quality has guided LCN ever since and continues to set it apart from other brands.

Manufactured with pride in Princeton, Ill., U.S.A., by our highly skilled and tenured craftsmen. Our solutions are specifically designed for enhanced durability, consistency and longevity. From meticulous engineering to strict quality control, LCN accepts no less than the best.

## Every person in the LCN plant plays a role in the rigorous quality control process

This level of shared commitment is why, in part, our Princeton plant was honored with the 2017 Manufacturing Leadership Award from the Manufacturing Leadership Council. The award recognizes manufacturing companies that are shaping the future of global manufacturing by delivering clear and compelling value, return on investment and other tangible outcomes. With millions of door closers installed in facilities across the world, you can be confident in choosing LCN.

### Features that set the 4000 Series apart

- Double heat-treated pinions gives proper hardness and strength to the parts where they need it
- Liquid X fluid performs in temperatures from -30°F to 120°F, reducing the need for seasonal adjustment
- Full complement bearings help withstand abuse in real-world applications because of increased surface contact
- The LCN Green Dial provides easy visual adjustments and indicator to dial in the strength needed for any environmental condition

### Information and customer care



[us.allegion.com](http://us.allegion.com)



US 877.671.7011  
Canada 800.900.4734



[support@allegion.com](mailto:support@allegion.com)  
[Closers\\_TechProdSupport@allegion.com](mailto:Closers_TechProdSupport@allegion.com)



[www.youtube.com/LCNHardware](http://www.youtube.com/LCNHardware)

### Ordering



[Allegion\\_Orders@allegion.com](mailto:Allegion_Orders@allegion.com)

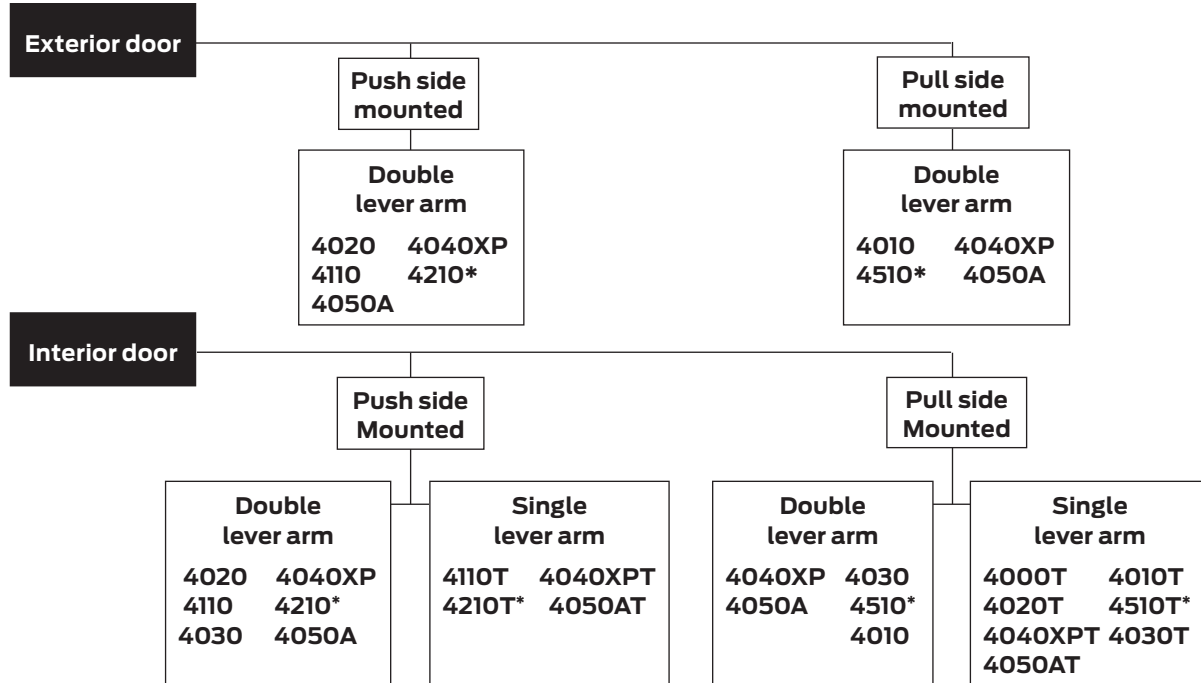


eFax: 1.800.248.1460

# 4000 Series surface mounted closers

## Product selection guide

Surface mounted 4000 Series LCN closers feature a modern design engineered for each application, easy installation, and trusted performance. This guide is based on the desired mounting of the closer.



\* Indicates high security closer. Refer to that section of the catalog.

## Product comparison

This chart shows a basic comparison of 4000 Series closers. Refer to the specific closer chapter for complete details.

	Mounting					Finish		Cover			Cylinder		Arm function*									
	Hinge (pull) side	Top jamb (pull)	Top jamb (push)	Parallel arm	Stop face	Powder coat	Plated	Plastic	Metal	Non-handed	Non-sized	Accessibility	Delay action***	CYLAVB**	Regular (double)	Standard (single)	Hold Open	Fusible Link	EDA/HEDA	CUSH/HCUSH	SCUSH/SHCUSH	Double Egress
4010	■	■	■	■	■	■	■	■	■	■	■	♿	■	■	140°	■	140°	140°	■	■	■	■
4010T	■	■	■	■	■	■	■	■	■	■	■	♿	■	■	■	180°	120°	■	■	■	■	100°
4020	■	■	■	■	■	■	■	■	■	■	■	♿	■	■	180°	■	140°	140°	■	■	■	■
4020T	■	■	■	■	■	■	■	■	■	■	■	♿	■	■	■	180°	100°	■	■	■	■	■
4030	■	■	■	■	■	■	■	■	■	■	■	♿	■	■	180°	■	180°	■	110°	100°	100°	■
4030T	■	■	■	■	■	■	■	■	■	■	■	♿	■	■	■	180°	180°	■	■	■	■	■
4040XP	■	■	■	■	■	■	■	■	■	■	■	♿	■	■	120°	■	120°	■	180°	110°	110°	■
4040XPT	■	■	■	■	■	■	■	■	■	■	■	♿	■	■	■	120°	110°	■	■	■	■	95°
4050A	■	■	■	■	■	■	■	■	■	■	■	♿	■	■	180°	■	180°	■	180°	110°	110°	■
4050AT	■	■	■	■	■	■	■	■	■	■	■	♿	■	■	■	180°	180°	■	■	■	■	95°
4110	■	■	■	■	■	■	■	■	■	■	■	♿	■	■	■	■	180°	180°	180°	110°	110°	■
4110T	■	■	■	■	■	■	■	■	■	■	■	♿	■	■	■	110°	100°	■	■	■	■	■
4000T	■	■	■	■	■	■	■	■	■	■	■	♿	■	■	■	90°	■	■	■	■	■	■

■ Available  
 ■ Not available  
 ♿ Closer available with less than 5.0 lbs. opening force on 36" door.  
 \* Maximum opening/hold open point with standard template. See individual closer series for degrees of opening per installation.  
 \*\* Advanced Variable Back Check.  
 \*\*\* Delay action for 4040XP incorporates standard 4041 cylinder.

## Product selection guide

### Applications

- For aluminum, hollow metal, or wood swinging doors and frames.
- Can be used with hinge or pivot mounted door.
- Adapter plates and other installation accessories available for non-standard conditions.

### Features common to 4000 Series

- Each closer (except 4050A, 4050AT, 4040XP, 4040XPT, 4030, 4030T) is designed for a specific mounting; hinge side, top jamb, or parallel arm. 4040XP closer with regular or Hold Open Arm mounts hinge side or top jamb. 4030, 4040XP and 4050A regular parallel arm closers include 62PA shoe required to parallel arm mount either Regular or Hold Open Arm.
- Handed for right or left swinging doors, except for 4000T, 4030, 4030T, 4040XP, 4050A, 4050AT and 4040XPT.
- Adjustable hydraulic back check cushions opening swing prior to 90°.
- Separate regulation of general closing speed and latching speed.
- Joints in regular arm and shoe adapt to uneven trim.
- Reversible shoe to boost latching power on double lever arms.
- Not designed for exterior mounting or exposure to elements.

### Design assistance

LCN has been providing reliable solutions to unique door control problems since 1925. Design and specification assistance are only a phone call away. Contact LCN for assistance or technical information at 877-671-7011 or fax 800-248-1460 (Order Entry), Fax 815-879-1495 for Product Support.

### Warranty

30 year limited warranty; 25 year limited warranty (4050A). See General Information catalog for complete warranty details.

### Specifications

Refer to "Specifications" section for suggested architectural specifications.

### Materials

- High strength cast iron or cast aluminum (4050A) cylinder.
- Forged steel main arms.
- One piece forged steel piston.
- Double heat treated pinion.
- LCN's all weather "Liquid X" fluid performs to temperature ranges from 120°F (49°C) to -30°F (-35°C) without any seasonal adjustment.
- High efficiency, full complement, low friction bearings.
- Tamper resistant regulating screws.
- Full rack and pinion hydraulic action.
- Low friction track and roller combination for all single lever arm (track style) closers.

### Finishes

- Available in seven standard or optional custom powder coat finishes to blend with door and frame.
- LCN's powder coat finishes surpass 100 hours of salt spray which is over four times the ANSI standard for corrosion resistance.
- For installations where a higher level of corrosive resistance is required, LCN offers an optional Special Rust Inhibitor (SRI) pre-treatment. Closers that combine the exclusive LCN powder coat finish and the SRI pre-treatment exceed the ANSI standard for corrosion resistance even further.
- Plated finishes are available as an option to accent door and frame. (SRI not available with plated finishes).

### Listings and approvals

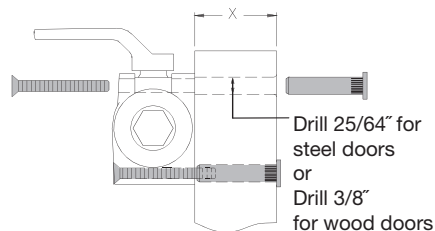
UL listed for self-closing doors without hold open under "swinging door closers" (GVEV) file R1943. Tested and certified under ANSI Standard A156.4 Grade One. Consult factory for details. Consult factory for other listings such as; cUL, California State Fire Marshal, Bureau of Standards and Appeals.

### Positive pressure

LCN closers have been certified for three hours by UL to be in compliance with UL 10C. Contact LCN for specific details on door closer fire ratings.

### Fasteners

- 4010, 4010T, 4020, 4020T, 4040XP, 4040XPT, 4050A, 4050AT, 4110, 4110T series closers are shipped with a standard Self Reaming and Tapping Screw (SRT) with Phillips head SRT screws.
- 4000T series closers are shipped with Wood and Machine Screws (WMS) with Phillips head wood and machine screws.
- 4030, 4030T series closers are shipped with a standard Wood and Self-Tapping Machine Screws (WMS) pack with Phillips head wood and self-tapping machine screws.
- Standard LCN Through Bolts (TB) can be installed on 1 3/4" (44 mm) thick doors with 1/4"-20 machine screws. Optional Through Bolt (TB) sizes are available for 1 5/8" (41 mm) or 1 3/8" (35 mm) door thickness, but this must be specified when ordering.



#### Notes:

- For through bolts, specify door thickness if other than 1 3/4" (44mm), represented in diagram as dimension "X".
- Phillips head, metric machine screws are available, please specify.
- LCN recommends the use of wood screws, available in optional WMS screw packs, for wood door applications.

# 4010 Series



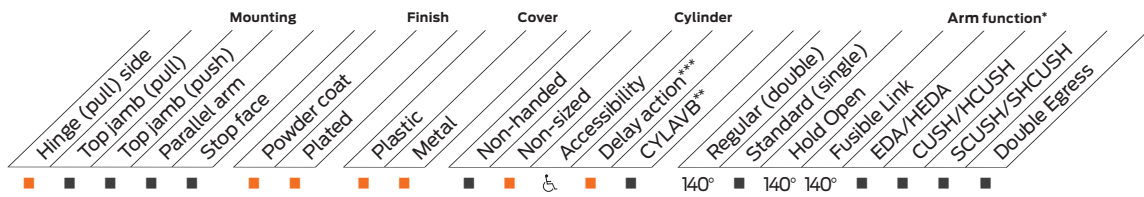
The 4010 is LCN's best performing heavy duty closer designed specifically for institutional and other rugged high traffic applications.

## Features

<b>Certifications</b>	Grade 1 - ANSI A156.4, UL 10C, ADA, 100 hour salt spray, meets BAA - Buy American Act	<b>Cover</b>	<ul style="list-style-type: none"> <li>Plastic Cover (PC), standard</li> <li>Metal Cover (MC), optional</li> </ul>
<b>Body construction</b>	<ul style="list-style-type: none"> <li>Cast iron body</li> <li>Full complement bearing</li> <li>1 1/2" diameter piston</li> <li>1/16" diameter double heat treated pinion journal</li> </ul>	<b>Fasteners</b>	Self Reaming and Tapping Screws (SRT)
<b>Fluid</b>	All weather fluid	<b>Mounting</b>	Hinge (Pull side)
<b>Handing</b>	Handed	<b>Arms</b>	Regular arm
<b>Templating</b>	Peel-n-Stick templates - 2 1/2" x 6" mounting hole pattern	<b>Finishes/colors/ powder coat</b>	<ul style="list-style-type: none"> <li>622 Matte black</li> <li>689 Aluminum</li> <li>690 Statuary bronze</li> <li>691 Light bronze</li> <li>693 Black</li> <li>695 Dark bronze</li> <li>696 Brass</li> <li>Custom colors optional</li> </ul>
<b>Size</b>	Adjustable 1-5 or sized 6		<ul style="list-style-type: none"> <li>Optional SRI primer - powder coat only</li> <li>Optional plated finishes</li> </ul>
<b>Warranty</b>	30 years		

### Special templates

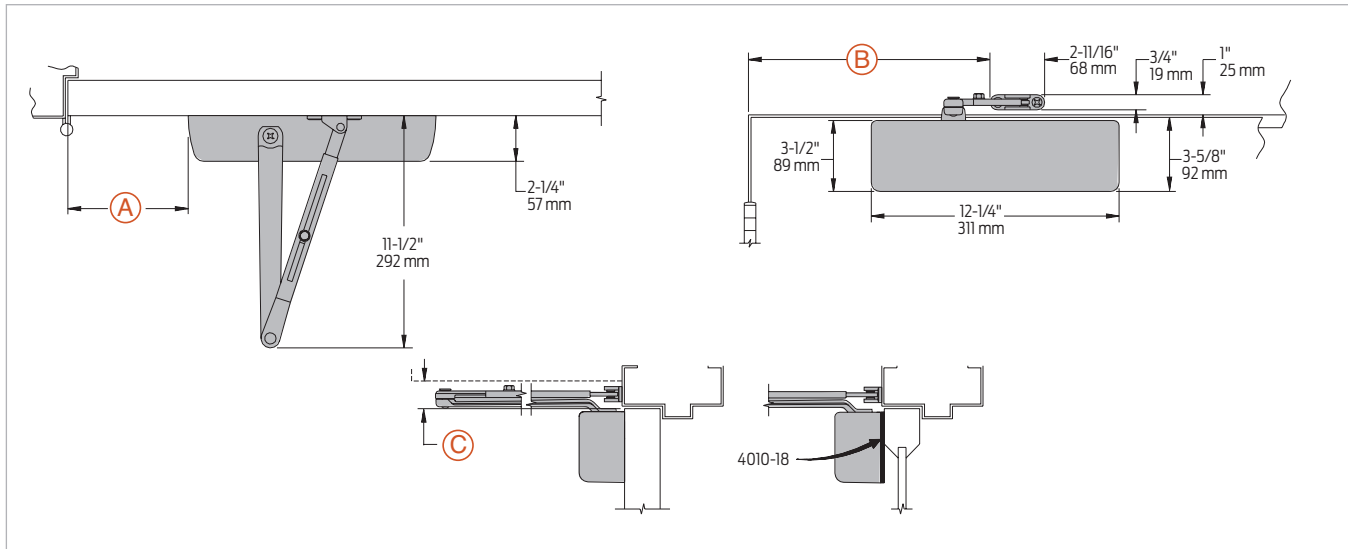
Customized installation templates or products may be available to solve non-standard applications. Contact LCN Product Support for assistance.



■ Available  
■ Not available  
 \* Closer available with less than 5.0 lbs. opening force on 36" door.  
 \*\* Maximum opening/hold open point with standard template.  
 \*\*\* Advanced Variable Back Check.  
 \*\*\* Delay action for 4040XP incorporates standard 4041 cylinder.

## Mounting details

### Hinge (pull) side mounting



Butt hinges	Should not exceed 5" (127 mm) in width								
Auxiliary stop	Recommended at hold open point or where a door cannot swing 140°								
Reveal	Should not exceed 3/4" (19 mm). Should not exceed 1/8" (3 mm) for Fusible Link Arm								
Top rail	<ul style="list-style-type: none"> <li>Less than 3 3/4" (95 mm) requires plate, 4010-18</li> <li>Plate requires 2" (51 mm) minimum</li> <li>Clearance of 2 1/4" (57 mm) behind door required for 90° installation</li> </ul>								
Delay action	<ul style="list-style-type: none"> <li>Add suffix "CYLDEL" to selected cylinder</li> <li>Not available with 4016 cylinder</li> <li>Delays closing from maximum opening to approximately 70°</li> <li>Delay time adjustable up to approximately 1 minute</li> </ul>								
Maximum opening	<p>Can be templated for:</p> <table border="0"> <tr> <td>100°:</td> <td>A = 5 15/16" (151 mm)</td> <td>140°:</td> <td>A = 4 3/16" (106 mm)</td> </tr> <tr> <td></td> <td>B = 11 15/16" (303 mm)</td> <td></td> <td>B = 10 3/16" (259 mm)</td> </tr> </table> <p>Hold open points up to maximum opening with Hold Open Arm</p>	100°:	A = 5 15/16" (151 mm)	140°:	A = 4 3/16" (106 mm)		B = 11 15/16" (303 mm)		B = 10 3/16" (259 mm)
100°:	A = 5 15/16" (151 mm)	140°:	A = 4 3/16" (106 mm)						
	B = 11 15/16" (303 mm)		B = 10 3/16" (259 mm)						
Arm clearance	<p>Regular Arm: C = 1 1/16" (27 mm)</p> <p>Hold Open Arm: C = 1 3/8" (35 mm)</p> <p>Fusible Link Arm requires: C = 1 5/8" (41 mm)</p>								

Note: Hold open points up to maximum opening with Hold Open Arm.

## 4010/4010T Series

## Accessories

## Cylinders

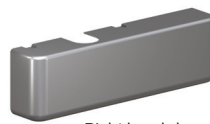

**4011(6)-3071  
Cast iron cylinder  
assembly (CYL)**

- Handed
- Standard

## Covers


**4010-72  
Plastic Cover (PC)**

- Non-handed



Right hand shown

**4010-72MC  
Metal Cover (MC)**

- Handed
- Required for plated finishes and custom powder coat finishes
- Optional

## Arms


**4010-3077  
Regular Arm (REGARM)**

- Non-handed


**4010-3049  
Hold Open Arm (H)**

- Handed
- Provides hold open function, adjustable at elbow
- Optional


**4010-3049FL  
Fusible Link Arm (FL)**

- Handed
- Releases hold-open function when exposed to temperatures above 165° F; 1/8" (3 mm) maximum reveal
- Optional

Note: Check local codes before specifying FL arms.  
NOT A life safety product!

## Installation accessories


**4010-18  
Plate**

- Required where top rail is less than 3 3/4" (95 mm)
- Requires minimum 2" (51 mm) top rail



## Ordering information

### How-to-order 4010 Series closers

#### 1. Select cylinder size

- 4011 (adjustable from size 1 to 5)
- 4016 (CYLDEL not available)

#### 2. Specify hand

- Right Hand (RH)
- Left Hand (LH)

#### 3. Select finish

- Standard powder coat \_\_\_\_\_  
Matte Black (622), Aluminum (689), Dark Bronze (695), Statuary Bronze (690), Light Bronze (691), Black (693), or Brass (696)

#### Closer will be shipped with:

- Standard cylinder
- Standard cover
- Regular arm
- Self reaming and tapping screws (unless options listed below are selected)

### Closer options

#### Cylinder

- Delay Action Cylinder (CYLDEL)

#### Cover

- Metal Cover (MC)

#### Arm

- Hold Open Arm (H)
- Fusible Link Arm, 165°F (FL)

#### Finish

- Custom powder coat (RAL) \_\_\_\_\_ (handed metal cover required)
- Plated finish \_\_\_\_\_ (handed metal cover required)
- SRI primer (use with powder coat finishes only)

#### Screw pack

- Through Bolt<sup>1</sup> and Self Reaming and Tapping Screws (TBSRT)
- Wood and Machine Screws (WMS)
- Through Bolt<sup>1</sup> Wood and Machine Screw (TBWMS)
- Torx Machine Screws (TORX)
- Wood and Machine Screws (WMS)
- Through Bolt<sup>1</sup> and Torx Machine Screws (TBTRX)

#### Installation accessories

- Plate, 4010-18

#### Special template

- ST- \_\_\_\_\_

1. Specify door thickness if other than 1 3/4".

### Table of sizes

- Select closer based on width of door
- The spring power of non-sized 4011 cylinder is adjustable from size 1 through size 5 and is shipped set to size 3
- Sized 4010 Series cylinders available in size 6
- Delay action not available with 4016 cylinder

#### Exterior (and vestibule) door width

	24" 610mm	30" 762mm	36" 914mm	42" 1067mm	48" 1219mm
*4011	size 3	size 4	size 5	size 6	
4016					Minimum door width

#### Interior door width


	24" 610mm	34" 864mm	38" 965mm	48" 1219mm	54" 1372mm	60" 1524mm
*4011	size 2	size 3	size 4	size 5	size 6	
4016						Minimum door width

➔ Indicates recommended range of door width for closer size.  
\* Adjustable Size 1 thru 5.

### Reduced opening force 4010 Series closers

**CAUTION!** Any manual door closer, including those certified by BHMA to conform to ANSI Standard A156.4, that is selected, installed and adjusted based on ADA or other reduced opening force requirements may not provide sufficient power to reliably close and latch a door.

Refer to Automatic Operators catalog for information on systems that meet reduced opening force requirements without effecting closing power.

	Door width	36"	42"	48"
	8.5* lbs.	4011	4011	4011
	5.0* lbs.	4011	4011	4011

\* Maximum opening force.

# 4010T Series



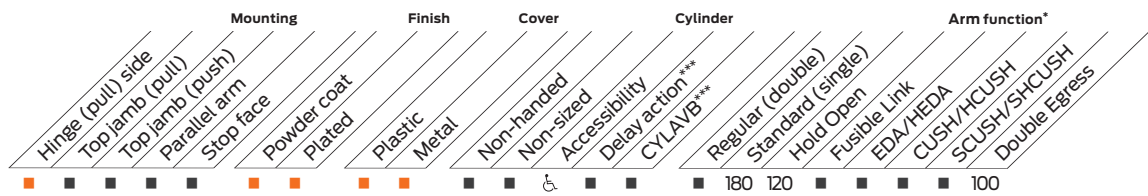
The 4010T is LCN's best performing heavy duty track closer designed specifically for interior doors in institutional and other rugged high traffic applications.

## Features

<b>Certifications</b>	Grade 1 - ANSI A156.4, UL 10C, ADA, 100 hour salt spray, meets BAA - Buy American Act	<b>Cover</b>	<ul style="list-style-type: none"> <li>Plastic Cover (PC), standard</li> <li>Metal Cover (MC), optional</li> </ul>
<b>Body construction</b>	<ul style="list-style-type: none"> <li>Cast iron body</li> <li>Full complement bearing</li> <li>1 1/2" diameter piston</li> <li>1/16" diameter double heat treated pinion journal</li> </ul>	<b>Fasteners</b>	Self Reaming and Tapping Screws (SRT)
<b>Fluid</b>	All weather fluid	<b>Mounting</b>	Hinge (Pull side)
<b>Handing</b>	Handed	<b>Arms</b>	Standard arm and track with roller
<b>Templating</b>	Peel-n-Stick templates - 2 1/2" x 6" mounting hole pattern	<b>Finishes/colors/ powder coat</b>	<ul style="list-style-type: none"> <li>622 Matte black</li> <li>689 Aluminum</li> <li>690 Statuary Bronze</li> <li>691 Light Bronze</li> <li>693 Black</li> <li>695 Dark Bronze</li> <li>696 Brass</li> <li>Custom colors optional</li> </ul>
<b>Size</b>	Sized 1, 3 or 4		<ul style="list-style-type: none"> <li>Optional SRI primer - powder coat only</li> <li>Optional plated finishes</li> </ul>
<b>Warranty</b>	30 years		

### Special templates

Customized installation templates or products may be available to solve non-standard applications. Contact LCN Product Support for assistance.

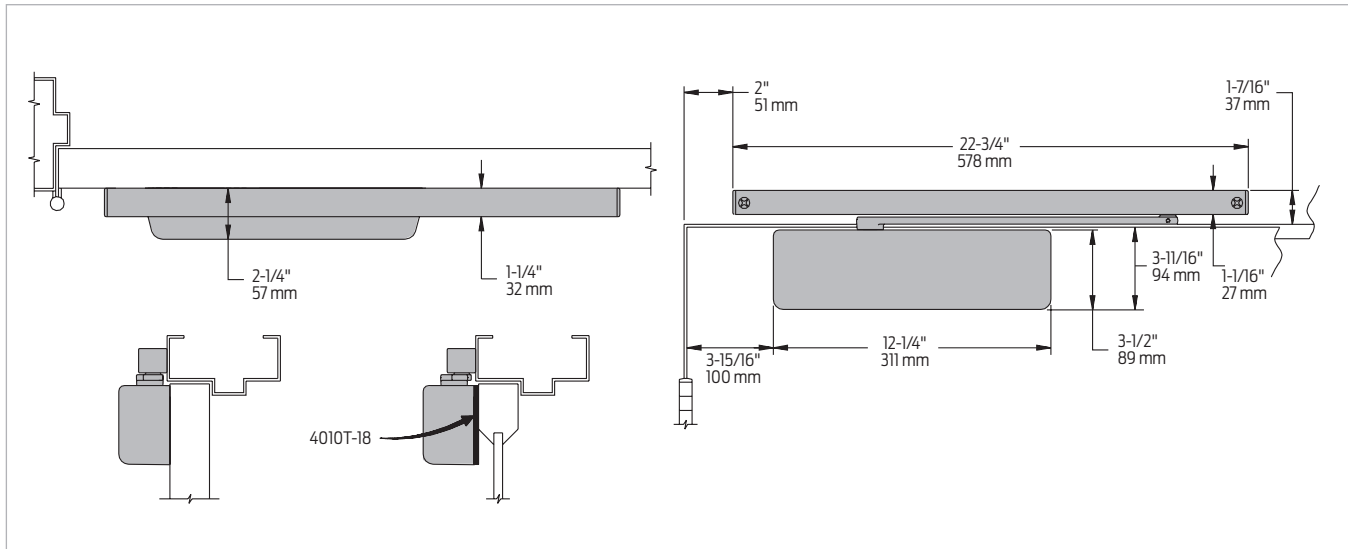


■ Available  
 ■ Not available

♿ Closer available with less than 5.0 lbs. opening force on 36" door.  
 \* Maximum opening/hold open point with standard template.  
 \*\* Advanced Variable Back Check.  
 \*\*\* Delay action for 4040XP incorporates standard 4041 cylinder.

## Mounting details

### Hinge (pull) side mounting



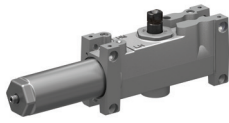
<b>Butt hinges</b>	Should not exceed 5" (127 mm) in width
<b>Auxiliary stop</b>	Recommended at hold open point or where a door cannot swing 180°
<b>Reveal</b>	<ul style="list-style-type: none"> <li>Should not exceed 1/8" (3 mm) for Standard Arm</li> <li>Should not exceed 3 5/16" (84 mm) for Double Egress Arm</li> </ul>
<b>Top rail</b>	Less than 3 3/4" (95 mm) requires plate, 4010T-18
<b>Head frame</b>	Requires 1 1/2" (38 mm) minimum
<b>Clearance</b>	2 1/4" (57 mm) behind door required for 90° or 180° installation
<b>Maximum opening</b>	<ul style="list-style-type: none"> <li>Templating allows 180° with Standard Arm, limited to 120° when optional bumper is installed</li> <li>Consult factory if door will be held open at 180°</li> <li>Variable hold open angles with infinite options</li> </ul>

**Notes:**

- Optional track bumper assembly assists backcheck in cushioning the opening swing of the door. It is not intended to replace an auxiliary stop.
- Plate requires 2" (51 mm) minimum.

## Accessories

### Cylinders

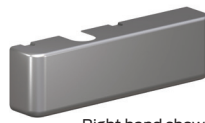


- 4011T(3)(4)-3071  
Cast iron cylinder  
assembly (CYL)**
- Handed
  - Standard

### Covers



- 4010T-72  
Plastic Cover (PC)**
- Non-handed
  - Standard



Right hand shown

- 4010T-72MC  
Metal Cover (MC)**
- Handed
  - Required for plated finishes and custom powder coat finishes
  - Optional

### Arms



- 4010T-3077T  
Standard Arm  
(STDTRKARM)**
- Handed
  - Does not include track roller



- 4010T-3077DE  
Double Egress Arm  
(DE)**
- Handed
  - For double egress doors and frames
  - Does not include track roller
  - Maximum reveal is 3 5/16" (84mm)
  - Optional

### Tracks



- 4010T-3038  
Standard Track (STDTRK)**
- Non-handed
  - Non hold open
  - Will accept hold open clip and/or bumper assembly
  - Standard



- 4010T-3038B  
Track with Bumper (BUMP)**
- Non-handed
  - Non hold open
  - With bumper assembly installed
  - Will accept hold open clip
  - Optional



- 4010T-3038H  
Hold Open Track (H)**
- Non handed
  - With hold open clip installed
  - Will accept bumper assembly
  - Optional

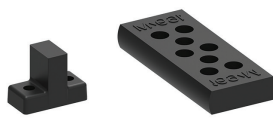


- 4010T-3038HB  
Hold Open Track with  
Bumper (HBMP)**
- Non-handed
  - With hold open clip and bumper assembly installed
  - Optional

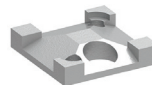
### Installation accessories



- 4010T-18  
Plate**
- Required where top rail is less than 3 3/4" (95 mm)
  - Requires minimum 2" (51 mm) top rail



- 4010T-169  
Track bumper**
- Mounts in track to assist back check, does not replace auxiliary stop
  - Limits maximum opening
  - Consists of bumper, bumper post, and mounting screw



- 4010T-3054  
Hold open clip**
- Mounts in track to provide hold open function
  - Hold open point controlled by clip location
  - Consists of clip and mounting screws
  - Requires 4010T-3034H Track Roller



- 4010T-3034  
Track roller**
- Quiet, low friction roller assembly
  - Shoulder dimension "X" = 1/16" (2mm)



- 4010T-3034H  
Track roller**
- Quiet, low friction roller assembly
  - Shoulder dimension "X" = 1/16" (2mm)
  - Spring-loaded hold open mechanism

## Ordering information

### How-to-order 4010T Series closers

**1. Select cylinder size**

- 4011T
- 4013T
- 4014T

**2. Specify hand**

- Right Hand (RH)
- Left Hand (LH)

**3. Select finish**

- Standard powder coat

\_\_\_\_\_   
 Matte Black (622), Aluminum (689), Dark Bronze (695), Statuary Bronze (690), Light Bronze (691), Black (693), or Brass (696)

**Closer will be shipped with:**

- Standard cylinder
- Standard cover
- Standard arm
- Track roller
- Standard track
- Self reaming and tapping screws (unless options listed below are selected)

**Closer options**

**Cover**

- Metal Cover (MC)

**Arm**

- Double Egress Arm (DE)<sup>2</sup>

**Track**

- Track with Bumper (BUMP)
- Hold Open Track (H)
- Hold Open Track with Bumper (HBMP)

**Finish**

- Custom powder coat (RAL) \_\_\_\_\_ (handed metal cover required)
- Plated finish \_\_\_\_\_ (handed metal cover required)
- SRI primer (use with powder coat finishes only)

**Screw pack**

- Through Bolt<sup>1</sup> and Self Reaming and Tapping Screws (TBSRT)
- Wood and Machine Screws (WMS)
- Through Bolt<sup>1</sup> Wood and Machine Screws (TBWMS)
- Torx Machine Screws (TORX)
- Through Bolt<sup>1</sup> and Torx Machine Screws (TBTRX)

**Installation accessories**

- Plate, 4010T-18

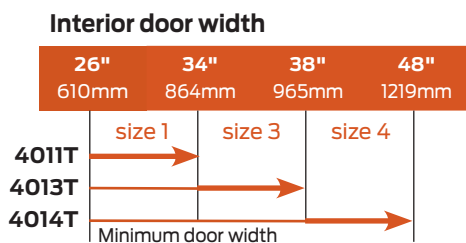
**Special template**

- ST- \_\_\_\_\_

1. Specify door thickness if other than 1<sup>3</sup>/<sub>4</sub>".
2. Using this closer on double-egress doors and frames requires the closer to be ordered with a "DE" suffix (i.e., 4014T DE). Standard "DE" option will accommodate pull side reveals up to 3<sup>5</sup>/<sub>16</sub>". For deeper reveals, consult factory.

**Table of sizes**

- Select closer based on width of door
- Sized 4010T Series cylinders available in size 1, 3 or 4



Indicates recommended range of door width for closer size.

**Reduced opening force 4010T Series closers**

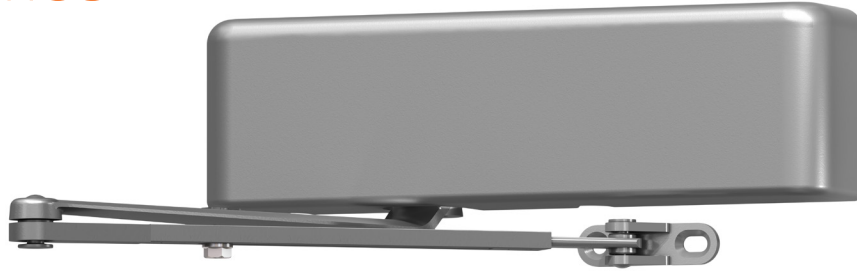
**CAUTION!** Any manual door closer, including those certified by BHMA to conform to ANSI Standard A156.4, that is selected, installed and adjusted based on ADA or other reduced opening force requirements may not provide sufficient power to reliably close and latch a door.

Refer to Automatic Operators catalog for information on systems that meet reduced opening force requirements without effecting closing power.

	Door width 36"	42"	48"
	8.5* lbs.	N/A	N/A
	5.0* lbs.	4011T	4011T 4011T

\* Maximum opening force.

# 4020 Series



The 4020 is a heavy duty closer with adjustable spring power using the LCN Green Dial. This creates a custom fit to meet the specific demands of high traffic use and brings reliable performance.

## Features

<b>Certifications</b>	Grade 1 - ANSI A156.4, UL 10C, ADA, 100 hour salt spray, meets BAA - Buy American Act	<b>Cover</b>	<ul style="list-style-type: none"> <li>Plastic Cover (PC), standard</li> <li>Metal Cover (MC), optional</li> </ul>
<b>Body construction</b>	<ul style="list-style-type: none"> <li>Cast iron body</li> <li>Full complement bearing</li> <li>1 1/2" diameter piston</li> <li>1/16" diameter double heat treated pinion journal</li> </ul>	<b>Fasteners</b>	Self Reaming and Tapping Screws (SRT)
<b>Fluid</b>	All weather fluid	<b>Mounting</b>	Top jamb (Pull side)
<b>Handing</b>	Handed	<b>Arms</b>	Regular arm
<b>Templating</b>	Peel-n-Stick templates - 2 1/2" x 6" mounting hole pattern	<b>Finishes/colors/ powder coat</b>	<ul style="list-style-type: none"> <li>622 Matte black</li> <li>689 Aluminum</li> <li>690 Statuary bronze</li> <li>691 Light bronze</li> <li>693 Black</li> <li>695 Dark bronze</li> <li>696 Brass</li> <li>Custom colors optional</li> </ul>
<b>Size</b>	Adjustable 1-5 or sized 6		<ul style="list-style-type: none"> <li>Optional SRI primer - powder coat only</li> <li>Optional plated finishes</li> </ul>
<b>Warranty</b>	30 years		

### Special templates

Customized installation templates or products may be available to solve non-standard applications. Contact LCN Product Support for assistance.

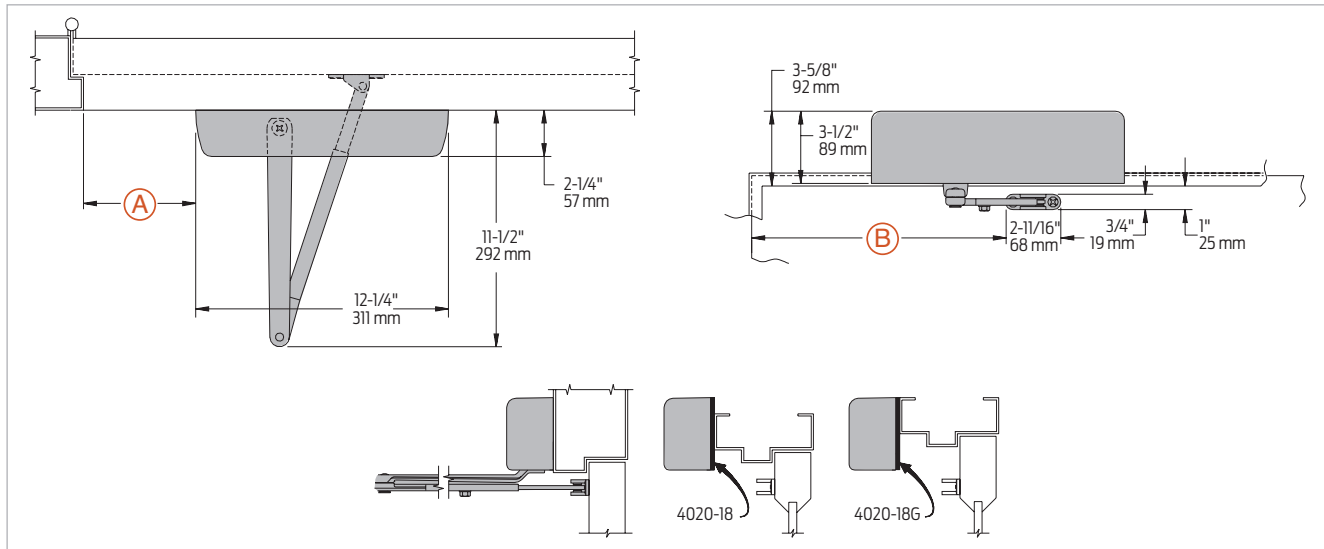
Mounting	Finish	Cover	Cylinder	Arm function*
Hinge (pull) side	Plastic	Non-handed	Regular (double)	Regular (double)
Top jamb (pull)	Metal	Non-sized	Standard (single)	Standard (single)
Top jamb (push)		Accessibility	Hold Open	Hold Open
Parallel arm		Delay Action***	Fusible Link	Fusible Link
Stop face		CYLAVB**	EDA/HEDA	EDA/HEDA
Powder coat			CUSH/HCLUSH	CUSH/HCLUSH
Plated			SCUSH/SHCLUSH	SCUSH/SHCLUSH
			Double Egress	Double Egress

- Available
- Not available

Closer available with less than 5.0 lbs. opening force on 36" door.  
 \* Maximum opening/hold open point with standard template.  
 \*\* Advanced Variable Back Check.  
 \*\*\* Delay action for 4040XP incorporates standard 4041 cylinder.

## Mounting details

### Top jamb (push) side mounting



Butt hinges	Should not exceed 5" (127 mm) in width		
Auxiliary stop	Recommended at hold open point or where the door cannot swing 180°		
Reveal	<ul style="list-style-type: none"> <li>2 9/16" (65 mm) allows 180° opening with regular arm</li> <li>4 13/16" (122 mm) allows up to 140° opening with regular arm</li> <li>8" (203 mm) allows up to 140° opening with Long Arm (LONG) where standard rod and shoe is replaced with optional long rod and shoe (4020-79LR)</li> </ul>		
Head frame	Less than 3 7/16" (87 mm) requires plate, 4020-18. Use plate, 4020-18G for flush ceiling condition. Either plate requires 1 3/4" (44 mm) frame minimum.		
Top rail	<ul style="list-style-type: none"> <li>Requires minimum 1 1/2" (38 mm)</li> <li>Closer on 4020-18 plate requires 2" (51 mm) minimum</li> <li>Closer on 4020-18G plate requires 2 3/4" (70 mm) minimum</li> </ul>		
Delay action	<ul style="list-style-type: none"> <li>Add suffix "CYLDEL" to selected cylinder.</li> <li>Not available with 4026 cylinder</li> <li>Delays closing from maximum opening to approximately 75°</li> <li>Delay time adjustable up to approximately 1 minute</li> </ul>		
Maximum opening	Can be templated for:		
	100°:	A = 6" (152 mm) B = 12 3/8" (314 mm)	140°: A = 4" (102 mm) B = 10 3/8" (264 mm)
	180°:	A = 2" (51 mm) B = 8 3/8" (213 mm)	

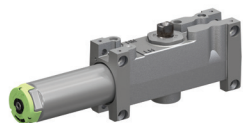
**Notes:**

- Hold open points up to maximum opening or 140°, whichever is less, for Hold Open or Fusible Link Arm
- For hold open beyond 140° use 4110 Series closer

## 4020/4020T Series

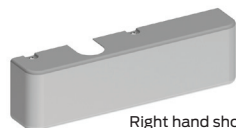
## Accessories

## Cylinders



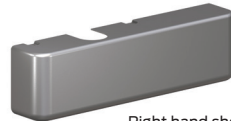
- 4021(6)-3071  
Cast iron cylinder assembly (CYL)**
- Handed
  - Standard

## Covers



Right hand shown

- 4020-72  
Plastic Cover (PC)**
- Handed
  - Standard



Right hand shown

- 4020-72MC  
Metal Cover (MC)**
- Handed
  - Required for plated finishes and custom powder coat finishes
  - Optional

## Arms



- 4020-3077  
Regular Arm (REGARM)**
- Non-handed



- 4020-3077L  
Long Arm (LONG)**
- Non-handed
  - Includes 4020-79LR for deep reveals
  - Optional



- 4020-3049  
Hold Open Arm (H)**
- Handed
  - Provides hold open function, adjustable at elbow
  - 5 3/4" (146 mm) maximum reveal, 140° hold open
  - Optional



- 4020-3049FL  
Fusible Link Arm (FL)**
- Handed
  - Releases hold open function, adjustable at shoe, when exposed to temperatures above 165° F
  - 3 7/8" (98 mm) maximum reveal
  - Optional

Note: Check local codes before specifying FL arms. NOT A life safety product!

## Installation accessories



- 4020-18  
Plate**
- Required where head frame is less than 3 7/16" (87 mm)
  - Requires minimum 1 3/4" (44 mm) minimum head frame and 2" (51 mm) top rail 3 7/8" (98 mm) maximum reveal



- 4020-18G  
Plate**
- For flush ceiling condition
  - Requires minimum 1 3/4" (44 mm) minimum head frame and 2 3/4" (70 mm) top rail



## Ordering information

### How-to-order 4020 Series closers

1. **Select cylinder size**
  - 4021 (adjustable from size 1 to 5)
  - 4026 (CYLDEL not available)
2. **Specify hand**
  - Right Hand (RH)
  - Left Hand (LH)
3. **Select finish**
  - Standard powder coat

Matte Black (622), Aluminum (689), Dark Bronze (695), Statuary Bronze (690), Light Bronze (691), Black (693), or Brass (696)

#### Closer will be shipped with:

- Standard cylinder
- Standard cover
- Regular arm
- Self reaming and tapping screws (unless options listed below are selected)

### Closer options

#### Cylinder

- Delay Action Cylinder (CYLDEL)

#### Cover

- Metal Cover (MC)

#### Arm

- Hold Open Arm (H)
- Fusible Link Arm, 165°F (FL)

#### Finish

- Custom powder coat (RAL) \_\_\_\_\_ (handed metal cover required)
- Plated finish \_\_\_\_\_ (handed metal cover required)
- SRI primer (use with powder coat finishes only)

#### Screw pack

- Through Bolt<sup>1</sup> Self Reaming and Tapping Screws (TBSRT)
- Wood and Machine Screws (WMS)
- Through Bolt<sup>1</sup> Wood and Machine Screws (TBWMS)
- Torx Machine Screws (TORX)
- Through Bolt<sup>1</sup> and Torx Machine Screws (TBTRX)

#### Installation accessories

- Plate, 4020-18
- Plate, 4020-18G

#### Special template

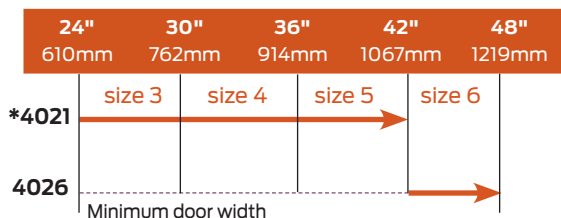
- ST- \_\_\_\_\_

1. Specify door thickness if other than 1 3/4".

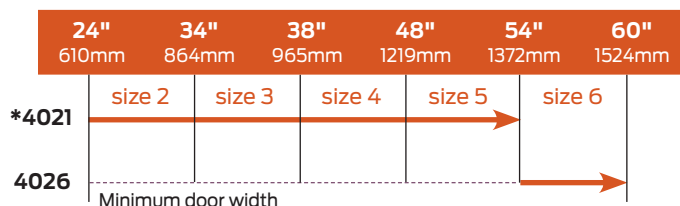
### Table of sizes

- Select closer based on width of door
- The spring power of non-sized 4021 cylinder is adjustable from size 1 through size 5 and is shipped set to size 3
- Sized 4020 Series cylinders available in size 6
- Delay action not available with 4026 cylinder

#### Exterior (and vestibule) door width



#### Interior door width




➔ Indicates recommended range of door width for closer size.  
\* Adjustable Size 1 thru 5.

### Reduced opening force 4020 Series closers

**CAUTION!** Any manual door closer, including those certified by BHMA to conform to ANSI Standard A156.4, that is selected, installed and adjusted based on ADA or other reduced opening force requirements may not provide sufficient power to reliably close and latch a door.

Refer to Automatic Operators catalog for information on systems that meet reduced opening force requirements without effecting closing power.

	Door width	36"	42"	48"
	8.5* lbs.	4021	4021	4021
	5.0* lbs.	4021	4021	4021

\* Maximum opening force.

# 4020T Series



The 4020T is a cast iron, heavy duty closer designed for interior, high traffic conditions. This Grade 1 device comes in various finishes and colors to match your interior look.

## Features

<b>Certifications</b>	Grade 1 - ANSI A156.4, UL 10C, ADA, 100 hour salt spray, meets BAA - Buy American Act	<b>Cover</b>	<ul style="list-style-type: none"> <li>Plastic Cover (PC), standard</li> <li>Metal Cover (MC), optional</li> </ul>
<b>Body construction</b>	<ul style="list-style-type: none"> <li>Cast iron body</li> <li>Full complement bearing</li> <li>1 1/2" diameter piston</li> <li>1/16" diameter double heat treated pinion journal</li> </ul>	<b>Fasteners</b>	Self Reaming and Tapping Screws (SRT)
<b>Fluid</b>	All weather fluid	<b>Mounting</b>	Top jamb (Pull side)
<b>Handing</b>	Handed	<b>Arms</b>	Standard arm, track with roller
<b>Templating</b>	Peel-n-Stick templates - 2 1/2" x 6" mounting hole pattern	<b>Finishes/colors/ powder coat</b>	<ul style="list-style-type: none"> <li>622 Matte black</li> <li>689 Aluminum</li> <li>690 Statuary bronze</li> <li>691 Light bronze</li> <li>693 Black</li> <li>695 Dark bronze</li> <li>696 Brass</li> <li>Custom colors optional</li> </ul>
<b>Size</b>	Sized 1, 3 or 4		<ul style="list-style-type: none"> <li>Optional SRI primer - powder coat only</li> <li>Optional plated finishes</li> </ul>
<b>Warranty</b>	30 years		

### Special templates

Customized installation templates or products may be available to solve non-standard applications. Contact LCN Product Support for assistance.

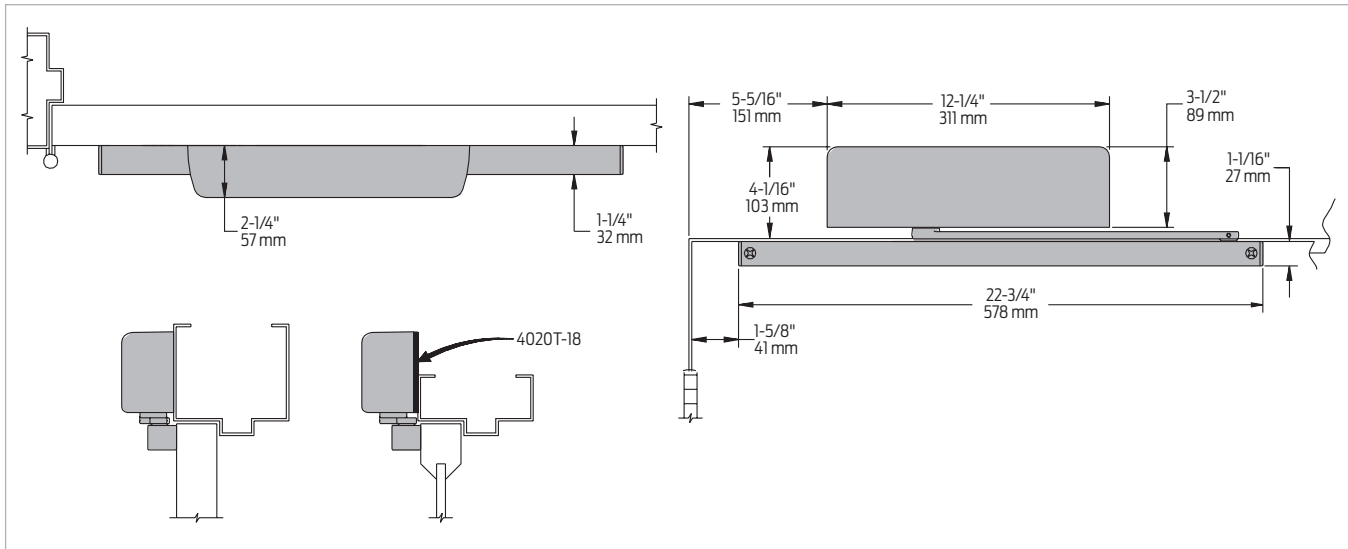
Hinge	Mounting	Finish	Cover	Cylinder	Arm function*
Hinge (pull) side	Top jamb (pull)	Powder coat	Non-handed	Regular (double)	Regular (double)
Top jamb (pull)	Top jamb (push)	Plated	Non-sized	Standard (single)	Standard (single)
Parallel arm	Stop face	Plastic	Accessibility	Hold Open	Hold Open
Stop face		Metal	Delay Action***	Fusible Link	Fusible Link
			CYLAVB**	EDA/HEDA	EDA/HEDA
				CUSSH/HCUSH	CUSSH/HCUSH
				Double Egress	Double Egress
				180° 100°	

■ Available  
■ Not available

♿ Closer available with less than 5.0 lbs. opening force on 36" door.  
 \* Maximum opening/hold open point with standard template.  
 \*\* Advanced Variable Back Check.  
 \*\*\* Delay action for 4040XP incorporates standard 4041 cylinder.

## Mounting details

### Top jamb (pull) side mounting

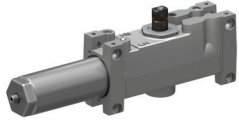


Butt hinges	Should not exceed 5" (127 mm) in width
Auxiliary stop	Recommended at hold open point or where a door cannot swing 180°
Reveal	Should not exceed 1/8" (3 mm)
Head frame	Less than 3 7/8" (98 mm), requires plate, 4020T-18. Plate requires 1 3/4" (44 mm) minimum.
Clearance	1 1/2" (38 mm) behind door required for 90° or 180° installation
Maximum opening	<ul style="list-style-type: none"> <li>▪ Templating allows 180° with standard track arm, limited to 100° with optional bumper installed</li> <li>▪ Consult factory if door will be held open at 180°</li> <li>▪ Variable hold open angles with infinite options</li> </ul>

Note: Optional track bumper assembly assists back check in cushioning the opening swing of the door. It is not intended to replace an auxiliary stop.

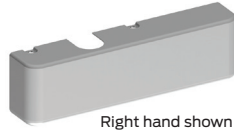
## Accessories

### Cylinders

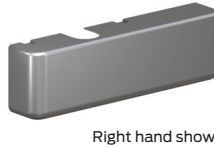


- 4021T(3)(4)-3071  
Cast iron cylinder assembly (CYL)**
- Handed
  - Standard

### Covers



- 4020T-72  
Plastic Cover (PC)**
- Handed
  - Standard



- 4020T-72MC  
Metal Cover (MC)**
- Handed
  - Required for plated finishes and custom powder coat finishes
  - Optional

### Arms



- 4020T-3077T  
Standard Arm (STDTRKARM)**
- Handed
  - Roller not included with arm

### Tracks



- 4020T-3038  
Standard Track (STDTRK)**
- Non-handed
  - Non hold open
  - Will accept hold open clip and/or bumper assembly
  - Standard



- 4020T-3038B  
Track with Bumper (BUMP)**
- Non-handed
  - Non hold open
  - With bumper assembly installed
  - Will accept hold open clip
  - Optional



- 4020T-3038H  
Hold Open Track (H)**
- Non-handed
  - With hold open clip installed
  - Will accept bumper assembly
  - Optional



- 4020T-3038HB  
Hold Open Track with Bumper (HBMP)**
- Non-handed
  - With hold open clip and bumper assembly installed
  - Optional

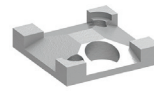
### Installation accessories



- 4020T-18  
Plate**
- Required where head frame is less than 3 7/8" (98 mm)
  - Requires minimum 1 3/4" (44 mm) frame face



- 4020T-169  
Track bumper**
- Mounts in track to assist back check, does not replace auxiliary stop
  - Limits maximum opening
  - Consists of bumper, bumper post, and mounting screw



- 4020T-3054  
Hold open clip**
- Mounts in track to provide hold open function
  - Hold open point controlled by clip location
  - Consists of clip and mounting screws
  - Requires 4020T-3034H Track Roller



- 4020T-3034  
Track roller**
- Quiet, low friction roller assembly
  - Shoulder dimension "X" = 1/16" (2mm)



- 4020T-3034H  
Track roller**
- Quiet, low friction roller assembly
  - Shoulder dimension "X" = 1/16" (2mm)
  - Spring-loaded hold-open mechanism

Introduction  
Product selection guide  
4010/4010T Series  
4020/4020T Series  
4030/4030T Series  
4040XP/4040XPT Series  
4050A/4050AT Series  
4110/4110T Series  
4000T Series

## Ordering information

### How-to-order 4020T Series closers

**1. Select cylinder size**

- 4021T (ADA)
- 4023T
- 4024T

**2. Specify hand**

- Right Hand (RH)
- Left Hand (LH)

**3. Select finish**

- Standard powder coat \_\_\_\_\_  
Matte Black (622), Aluminum (689), Dark Bronze (695), Statuary Bronze (690), Light Bronze (691), Black (693), or Brass (696)

**Closer will be shipped with:**

- Standard cylinder
- Standard cover
- Standard arm
- Track roller
- Standard track
- Self-reaming and tapping screws (unless options listed below are selected)

### Closer options

**Cover**

- Metal Cover (MC)

**Track**

- Track with Bumper (BUMP)
- Hold Open Track (H)
- Hold Open Track with Bumper (HBMP)

**Finish**

- Custom powder coat (RAL) \_\_\_\_\_  
(handed metal cover required)
- Plated finish \_\_\_\_\_  
(handed metal cover required)
- SRI primer (use with powder coat finishes only)

**Screw pack**

- Through Bolt<sup>1</sup> and Self Reaming and Tapping Screws (TBSRT)
- Wood and Machine Screws (WMS)
- Through Bolt<sup>1</sup> Wood and Machine Screws (TBWMS)
- Torx Machine Screws (TORX)
- Through Bolt<sup>1</sup> and Torx Machine Screws (TBTRX)

**Installation accessories**

- Plate, 4010T-18

**Special template**

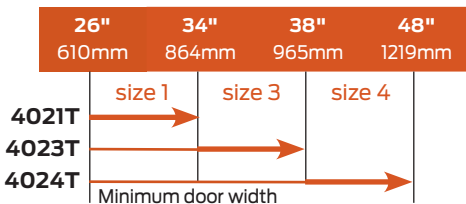
- ST- \_\_\_\_\_

1. Specify door thickness if other than 1 3/4".

### Table of sizes

- Select closer based on width of door
- Sized 4020T Series cylinders available in size 1, 3 or 4
- Specify next higher size closer where strong drafts exist

**Interior door width**



➔ Indicates recommended range of door width for closer size.

# 4030 Series



The 4030 is a cast iron, universal closer designed specifically for doors in moderate traffic conditions. This versatile closer compliments the rest of the heavy duty 4000 Series and offers the choice of three mountings and multiple arm options.

## Features

<b>Certifications</b>	Grade 1 - ANSI A156.4, UL 10C, ADA, 100 hour salt spray, meets BAA - Buy American Act
<b>Body construction</b>	<ul style="list-style-type: none"> <li>Cast iron body</li> <li>Full complement bearing</li> <li>1 7/8" diameter piston</li> <li>1/2" diameter single heat treated pinion journal</li> </ul>
<b>Fluid</b>	All weather fluid
<b>Handing</b>	Non-handed
<b>Templating</b>	Peel-n-Stick templates - 1 23/32" x 6 17/64" mounting hole pattern
<b>Size</b>	Adjustable spring size 1-4
<b>Warranty</b>	30 years

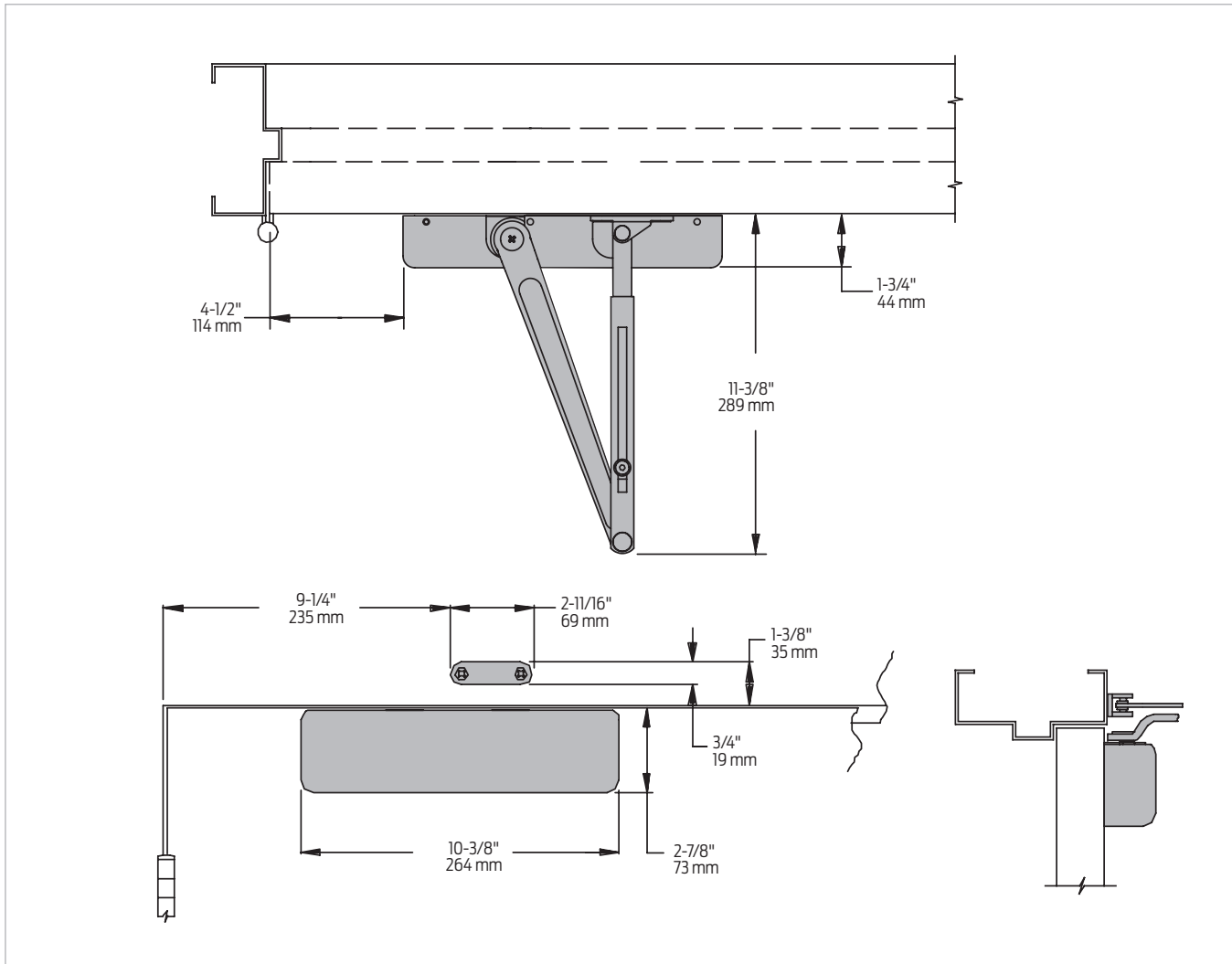
<b>Cover</b>	Metal Cover (MC), standard
<b>Fasteners</b>	Self reaming and tapping screws (SRT)
<b>Mounting</b>	Hinge (pull side), top jamb (push side), parallel arm (push side)
<b>Arms</b>	Regular arm
<b>Finishes/colors/ powder coat</b>	<ul style="list-style-type: none"> <li>622 Matte black</li> <li>689 Aluminum</li> <li>690 Statuary bronze</li> <li>691 Light bronze</li> <li>693 Black</li> <li>695 Dark bronze</li> <li>696 Brass</li> <li>Custom colors optional</li> </ul>
	<ul style="list-style-type: none"> <li>Optional SRI primer - powder coat only</li> <li>Optional plated finishes</li> </ul>

**Special templates** | Customized installation templates or products may be available to solve non-standard applications. Contact LCN Product Support for assistance.

Mounting		Finish		Cover		Cylinder		Arm function*											
Hinge (pull) side	Top jamb (pull)	Top jamb (push)	Parallel arm	Stop face	Powder coat	Plated	Plastic	Metal	Non-handed	Non-sized	Accessibility	Delay Action***	CYLAVB**	180°	180°	110°	100°	100°	
■ Available	■ Not available	♿ Closer available with less than 5.0 lbs. opening force on 36" door. * Maximum opening/hold open point with standard template. ** Advanced Variable Back Check. *** Delay action for 4040XP incorporates standard 4041 cylinder.																	

## Mounting details

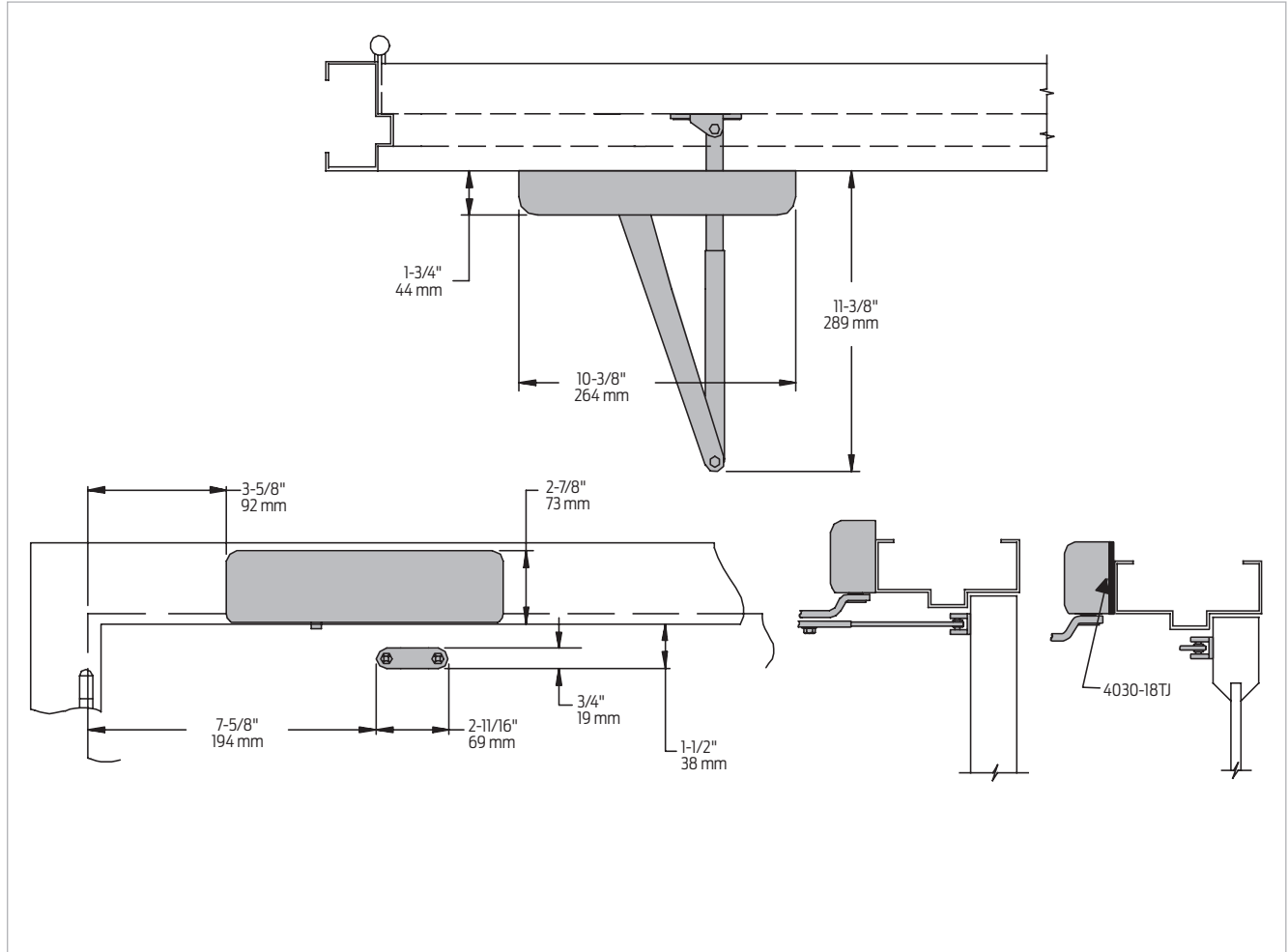
### Hinge (pull) side mounting



Butt hinges	Should not exceed 5" (127 mm) in width
Auxiliary stop	Recommended at hold open point or where a door cannot swing 180°
Reveal	Should not exceed $\frac{3}{16}$ " (5 mm) for regular arm or $\frac{3}{16}$ " (5 mm) for Hold Open Arm
Top rail	Requires $2\frac{7}{8}$ " (73 mm) minimum
Clearance	$1\frac{3}{4}$ " (44 mm), behind door required for installation
Maximum opening	<ul style="list-style-type: none"> <li>▪ Can be templated for 180°</li> <li>▪ Hold open points up to maximum opening with Hold Open Arm</li> </ul>

## Mounting details

### Top jamb (push) side mounting

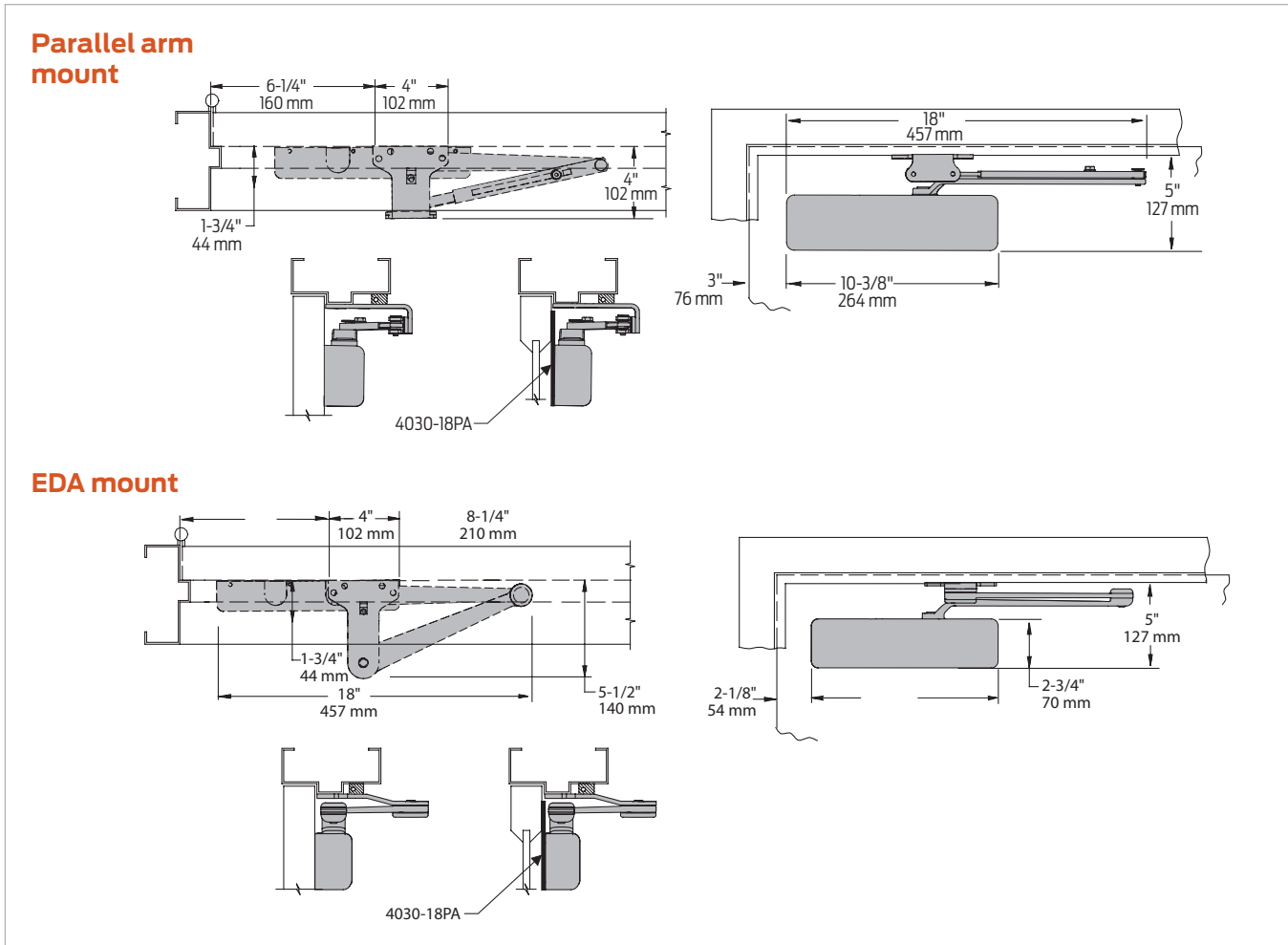


Butt hinges	Should not exceed 5" (127 mm) in width
Auxiliary stop	Recommended at hold open point or where the door cannot swing 180°
Reveal	<ul style="list-style-type: none"> <li>Up to 3 1/2" (89 mm) allows 180° opening</li> <li>Up to 7 1/2" (191 mm) with long arm allows for 140° opening</li> </ul>
Top rail	Requires 1 1/2" (38 mm) minimum from stop
Head frame	<ul style="list-style-type: none"> <li>Less than 2 1/4" (57 mm) requires plate, 4030-18TJ</li> <li>Plate requires 1 1/2" (38 mm) minimum</li> </ul>
Maximum opening	<ul style="list-style-type: none"> <li>Can be templated for 180°</li> <li>Hold open points up to maximum opening with Hold Open Arm (H)</li> </ul>



## Mounting details

### Parallel arm (push side) and EDA mounting



Butt hinges	Should not exceed 5" (127 mm) in width
Auxiliary stop	Recommended at hold open point or where a door cannot swing maximum opening
Clearance	<ul style="list-style-type: none"> <li>For 4030-62PA shoe is 4" (102 mm) from door face</li> <li>EDA arm is 5 1/2" (140 mm) from door face</li> </ul>
Top rail	<ul style="list-style-type: none"> <li>Less than 5" (127 mm) measured from the stop requires plate 4030-18PA</li> <li>Plate requires 1 3/4" (44 mm) minimum</li> </ul>
Stop width	Minimum 1" (25 mm)
Head frame	Flush or single rabbetted requires PA shoe adapter, 4030-419
Blade stop	Clearance, requires 1/2" (13 mm) blade stop spacer, 4030-61
Auxiliary shoe	<ul style="list-style-type: none"> <li>4030-62A allows installation of regular arm with overhead holder/stop</li> <li>Special templating required</li> </ul>
EDA arm	Requires shoe support, 4030-30 for fifth screw anchorage where reveal is less than 3 1/16" (78 mm)
Maximum opening	<ul style="list-style-type: none"> <li>Regular or Hold Open Arms can be templated for 180°</li> <li>EDA template allows 110° maximum opening</li> <li>Hold open points up to maximum opening with Hold Open Arm (H)</li> </ul>

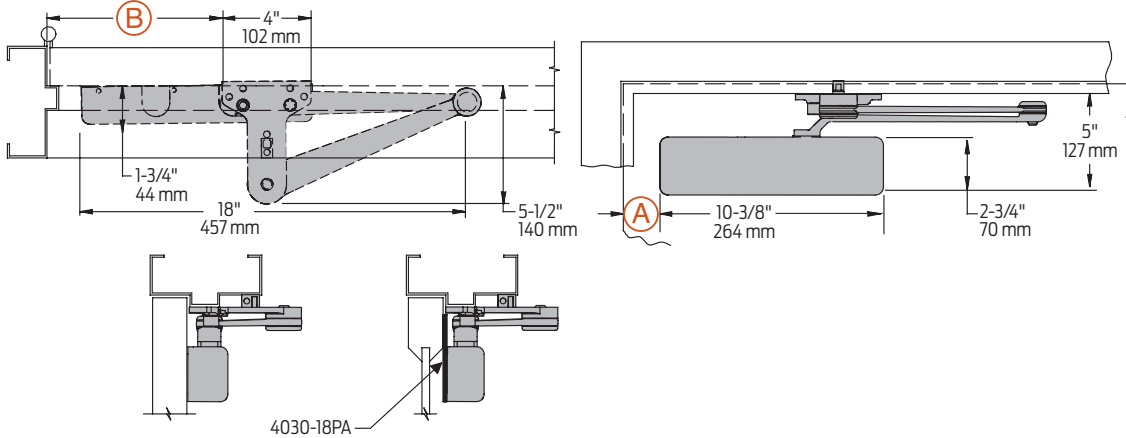
Notes:

- 4030 closers ordered with EDA arms include 4030-201 fifth hole spacer to support the shoe
- Regular or Hold Open Arm mounting requires PA shoe, 4030-62PA for Regular or Hold Open Arms; Add prefix "P" to closer description (eg. P4031.)
- P4031 closer includes 4030-201 fifth hole spacer to support PA shoe

# Mounting details

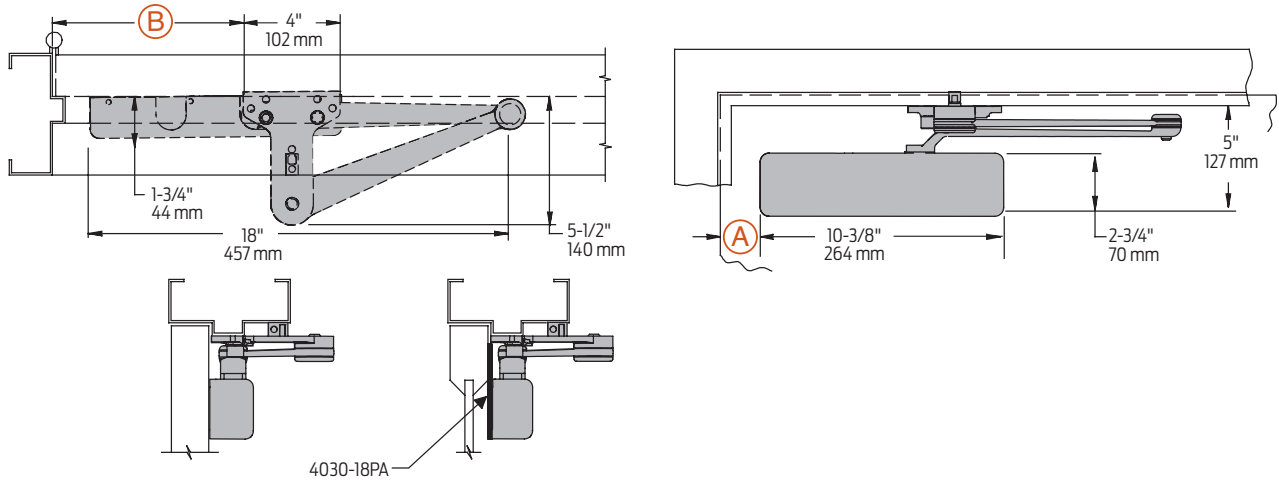
## CUSH and Spring CUSH mounting

### CUSH mount



### Spring CUSH mount

Spring CUSH dead stop points are approximately 5° greater than templated stop point.



Clearance	For CUSH or SCUSH shoe is 5 1/2" (140 mm) from door face		
Head frame	Flush or rabbeted requires CUSH flush panel adapter, 4030-419		
CUSH or SCUSH Arm	Requires shoe support, 4030-30 for fifth screw anchorage where reveal is less than 3 1/16" (78 mm)		
Maximum opening	CUSH and SCUSH arms can be templated for maximum opening/hold open point at:		
	85°:	A = 3 5/8" (92 mm) B = 9 3/4" (248 mm)	90°: A = 3" (76 mm) B = 9 1/8" (232 mm)
			100°: A = 1 7/8" (48 mm) B = 8" (203 mm)

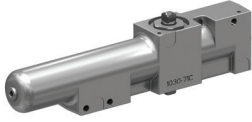
1. 100° mounting will not work with swing clear hinges.

Note: 4031 closers ordered with CUSH or SCUSH arms include 4030-201 fifth hole spacer to support the shoe.

Introduction  
Product selection guide  
4010/4010T Series  
4020/4020T Series  
4030/4030T Series  
4040XP/4040XP Series  
4050A/4050AT Series  
4110/4110T Series  
4000T Series

## Accessories

### Cylinders



**4031-3071**  
Cast iron cylinder assembly (CYL)

- Non-handed
- Standard

### Covers



**4030-72MC**  
Metal Cover (MC)

- Non-handed

### Arms



**4030-3077**  
Regular Arm (REGARM)

- Non-handed
- Mounts hinge side or top jamb
- P4031 closer includes PA shoe, 4030-62PA is required for parallel arm mounting



**4030-3077LD**  
Light Duty Arm (LD)

- Non-handed
- Mounts hinge side, top jamb or parallel arm (62PA required)
- Optional



**4030-3077L**  
Long Arm (LONG)

- Non-handed
- Includes long rod and shoe, 4030-79LR for top jamb mount with deep reveals
- Optional



**4030-3049**  
Hold Open Arm (H)

- Non-handed
- Mounts hinge side, top jamb or parallel arm (62PA required)
- Hold open adjustable at shoe
- Optional



**4030-3049L**  
Hold Open Long Arm (HLONG)

- Non-handed
- Includes long head and tube, 4030-3048L for top jamb mount with deep reveals
- Optional



**4030-3077EDA**  
Extra Duty Arm (EDA)

- Non-handed
- Extra duty arm features solid forged steel main and forearm for potentially abusive installations
- Optional



**4030-3049EDA**  
Hold Open Extra Duty Arm (HEDA)

- Handed
- Arm, provides hold open function adjustable at shoe
- Optional



**4030-3077CNS**  
Cush-n-Stop Arm (CUSH)

- Non-handed
- Solid forged steel main arm and forearm with stop in soffit shoe
- Optional



**4030-3049CNS**  
Hold Open Cush-n-Stop Arm (HCUSH)

- Non-handed
- Provides hold open function with templated stop/hold open points
- Handle controls hold open function
- Optional



**4030-3077SCNS**  
Spring Cush-n-Stop Arm (SCUSH)

- Non-handed
- For abusive applications
- Features solid forged steel main arm and forearm with spring loaded stop in the soffit shoe
- Optional



**4030-3049SCNS**  
Spring Hold Open Cush-n-Stop Arm (SHCUSH)

- Non-handed
- For abusive applications
- Features solid forged steel main arm and forearm with spring loaded stop in the soffit shoe
- Handle controls hold open function
- Optional

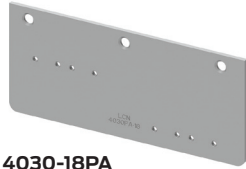
## Accessories

### Installation accessories



**4030-18TJ**  
**Plate**

- Required for top jamb mounting where head frame is less than 2 1/4" (57 mm) or flush ceiling condition exists
- Requires 1 1/2" (38 mm) minimum



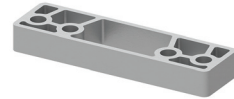
**4030-18PA**  
**Plate**

- Required for parallel arm mounting where top rail is less than 5" (127 mm), measured from the stop
- Requires 1 3/4" (44 mm) minimum



**4030-30**  
**CUSH shoe support**

- Provides anchorage for fifth screw used with CUSH arms where reveal is less than 3 1/16" (78 mm)



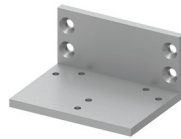
**4030-61**  
**Blade stop spacer**

- Lowers parallel arm shoe to clear 1/2" (13 mm) blade stop



**4030-62A**  
**Auxiliary shoe**

- Requires a top rail of 7" (178 mm)
- Replaces -62PA for parallel arm mounting of regular arm with some overhead holder/stop
- Optional



**4030-419**  
**PA flush panel adapter**

- Provides horizontal mounting surface for PA or CUSH shoe on single rabbeted or flush frame



**4030-62PA**  
**PA shoe**

- Required for parallel arm mounting

## Ordering information

### How-to-order 4030 Series closers

#### 1. Select finish

- Standard powder coat \_\_\_\_\_  
Matte Black (622), Aluminum (689), Dark Bronze (695), Statuary Bronze (690), Light Bronze (691), Black (693), or Brass (696)

#### Closer options

##### Finish

- Custom powder coat (RAL) \_\_\_\_\_
- Plated finish \_\_\_\_\_
- SRI primer (use with powder coat finishes only)

##### Arm

- Regular Arm with Parallel Arm Bracket (RWPA)
- Regular Arm with 62A Auxiliary Shoe (RW62A)
- Long Arm (LONG)
- Hold Open Arm (H)
- Hold Open with Parallel Arm Bracket (HWP)
- Hold Open Long Arm (HLONG)
- Light Duty Arm (LD)
- Light Duty Arm with Auxiliary Shoe (LD62A)
- Light Duty Arm with Parallel Arm Shoe (LDP)
- Light Duty Long Arm (LDL)
- Extra Duty Arm (EDA)
- Hold Open Extra Duty Arm (HEDA)  
(specify right or left hand)

#### Closer will be shipped with:

- Standard cylinder
- Standard metal cover
- Regular arm
- Wood and self tapping machine screw pack  
(unless options listed below are selected)

- Cush-n-Stop Arm (CUSH)
- Hold Open Cush-n-Stop Arm (HCUSH)
- Spring Cush-n-Stop Arm (SCUSH)
- Spring Hold Open Cush-n-Stop Arm (SHCUSH)

#### Optional screw packs

- Through Bolt<sup>1</sup> Wood and Machine Screws (TBWMS)

#### Installation accessories

- Plate, 4030-18TJ
- Plate, 4030-18PA
- CUSH shoe support, 4030-30
- Blade stop spacer, 4030-61
- Auxiliary shoe, 4030-62A
- PA flush panel adapter, 4030-419

#### Special template

- ST- \_\_\_\_\_

<sup>1</sup>. Specify door thickness if other than 1 3/4".

### Table of sizes

- Non-sized 4031 cylinder is adjustable from sizes 1 to 4 and is shipped set to size 3

#### Exterior (and vestibule) door width



#### Interior door width



Indicates recommended range of door width for closer size.

#### Reduced opening force 4030 Series closers

**CAUTION!** Any manual door closer, including those certified by BHMA to conform to ANSI Standard A156.4, that is selected, installed and adjusted based on ADA or other reduced opening force requirements may not provide sufficient power to reliably close and latch a door.

Refer to Automatic Operators catalog for information on systems that meet reduced opening force requirements without effecting closing power.

	Door width	36"	42"	48"
	8.5* lbs.	4031	4031	4031
	5.0* lbs.	4031	4031	4031

\* Maximum opening force.

# 4030T Series



The 4030T is a single lever (track) arm, surface mounted closer designed for interior use on narrow head frames and top rails. The choice of three mountings and ease of installation offer a versatile solution to door control in moderate traffic applications. The 4030T compliments the heavy duty 4000 Series.

## Features

<b>Certifications</b>	Grade 1 - ANSI A156.4, UL 10C, ADA, 100 hour salt spray, meets BAA - Buy American Act	<b>Cover</b>	Metal Cover (MC), standard
<b>Body construction</b>	<ul style="list-style-type: none"> <li>Cast iron body</li> <li>Full complement bearing</li> <li>1 1/8" diameter piston</li> <li>1/2" diameter single heat treated pinion journal</li> </ul>	<b>Fasteners</b>	Self reaming and tapping screws (SRT)
<b>Fluid</b>	All weather fluid	<b>Mounting</b>	Pull side on door, pull side on frame and push side on door
<b>Handing</b>	Non-handed	<b>Arms</b>	Standard arm and track
<b>Size</b>	Adjustable spring size 1-3	<b>Finishes/colors/ powder coat</b>	<ul style="list-style-type: none"> <li>622 Matte black</li> <li>689 Aluminum</li> <li>690 Statuary bronze</li> <li>691 Light bronze</li> <li>693 Black</li> <li>695 Dark bronze</li> <li>696 Brass</li> <li>Custom colors optional</li> <li>Optional SRI primer - powder coat only</li> <li>Optional plated finishes</li> </ul>
<b>Warranty</b>	30 years		

### Special templates

Customized installation templates or products may be available to solve non-standard applications. Contact LCN Product Support for assistance.

Mounting	Finish	Cover	Cylinder	Arm function*
Hinge (pull) side	Plastic	Non-handed	Regular (double)	180°
Top jamb (pull)	Metal	Non-sized	Standard (single)	180°
Top jamb (push)		Accessibility	Hold Open	
Parallel arm		Delay Action ***	Fusible Link	
Stop face		CYLAVB**	EDA/HEDA	
Powder coat			CUSH/HCLUSH	
Plated			SCUSH/SHCLUSH	
			Double Egress	

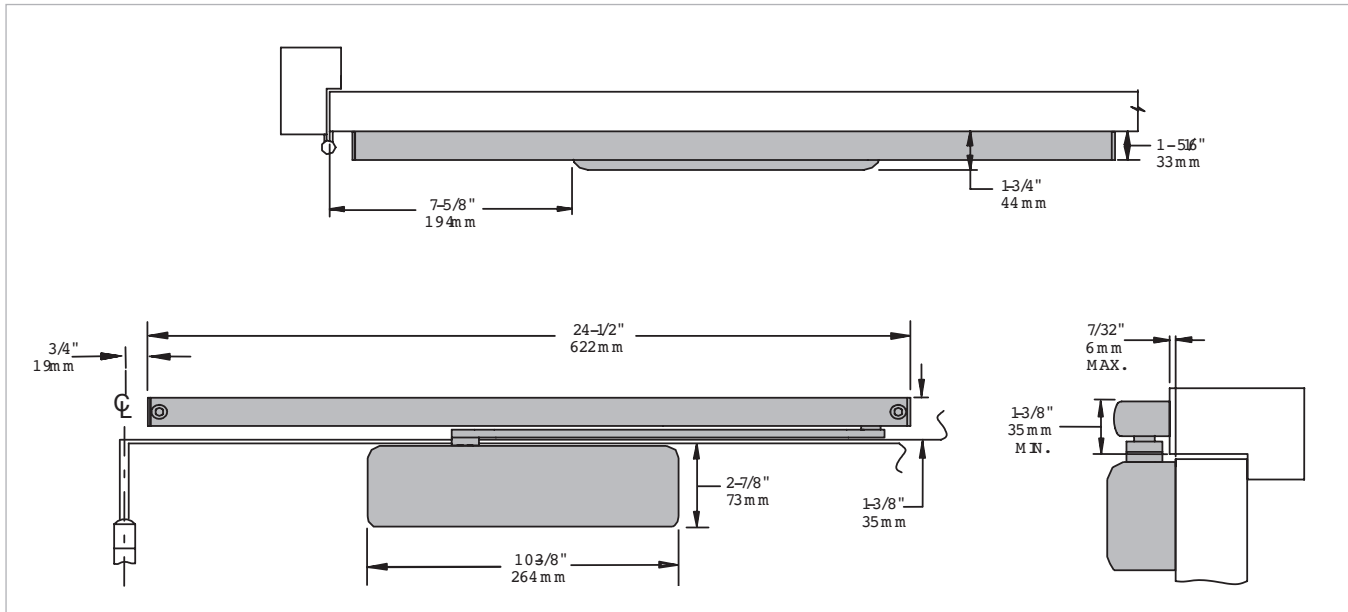
■ Available      ■ Not available

\* Maximum opening/hold open point with standard template.  
 \*\* Advanced Variable Back Check.  
 \*\*\* Delay action for 4040XP incorporates standard 4041 cylinder.

Introduction  
 Product selection guide  
 4010/4010T Series  
 4020/4020T Series  
 4030/4030T Series  
 4040XP/4040XPT Series  
 4050A/4050AT Series  
 4110/4110T Series  
 4000T Series

## Mounting details

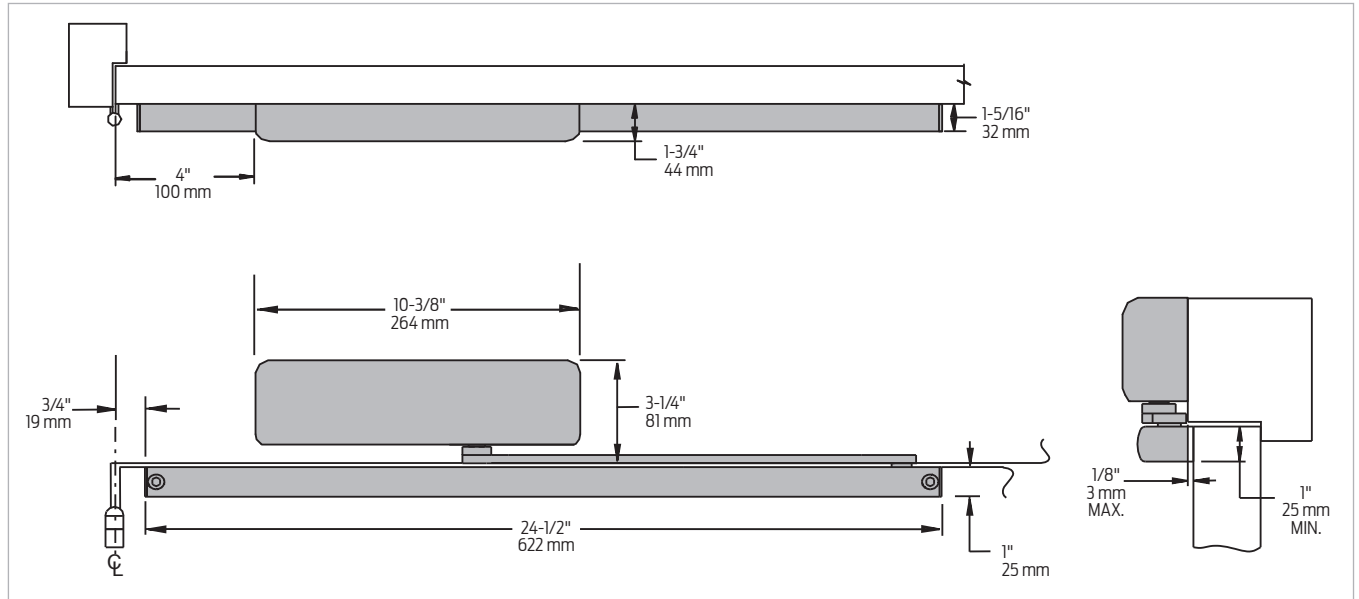
### Hinge (pull) side mounting



Butt hinges	Should not exceed 5" (127 mm) in width
Auxiliary stop	Recommended at hold open point or where a door cannot swing 180°
Reveal	Should not exceed 7/32" (6 mm)
Top rail	Requires 2 7/8" (73 mm) minimum
Clearance	1 3/4" (44 mm), behind door required for installation
Maximum opening	<ul style="list-style-type: none"> <li>Can be templated for 180°</li> <li>Consult factory if door will be held open at 180°</li> <li>Hold open points up to maximum opening point with hold open option</li> </ul>

## Mounting details

### Top jamb (pull) side mounting



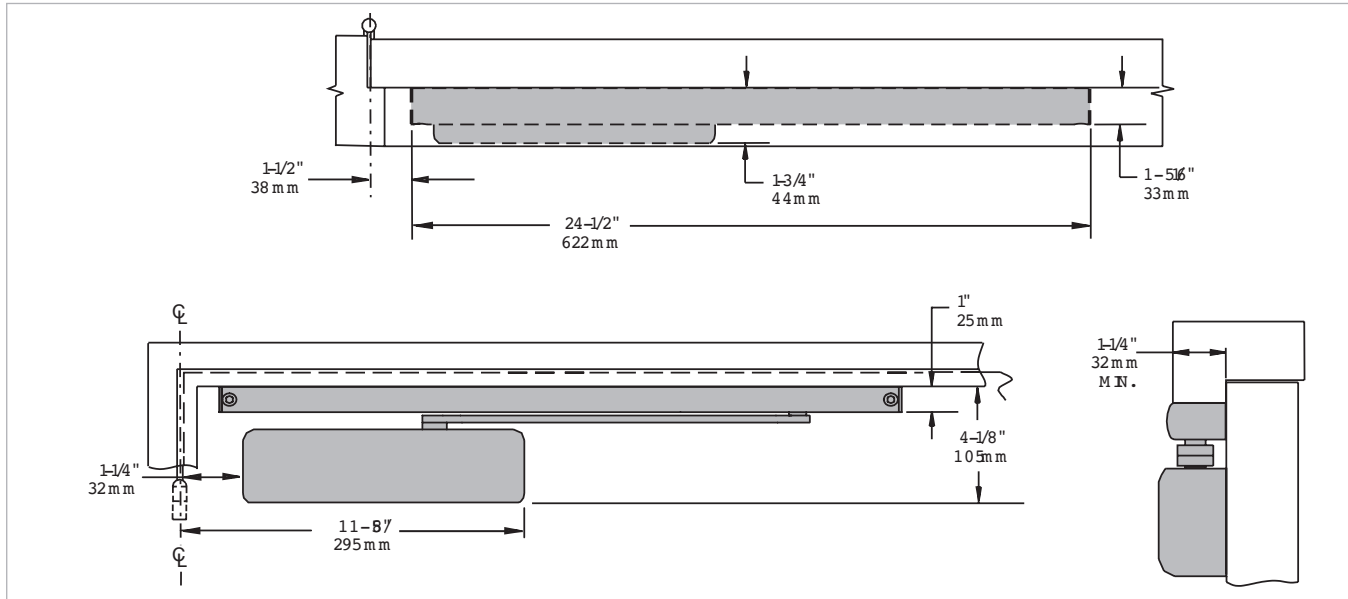
Butt hinges	Should not exceed 5" (127 mm) in width
Auxiliary stop	Recommended at hold open point or where the door cannot swing 180°
Reveal	Should not exceed 1/8" (3 mm)
Top rail	Requires 1" (25 mm) minimum
Head frame	Requires 2 7/8" (73 mm) minimum
Maximum opening	<ul style="list-style-type: none"> <li>▪ Can be templated for 180°</li> <li>▪ Consult factory if door will be held open at 180°</li> <li>▪ Hold open points up to maximum opening point with hold open option</li> </ul>

Introduction  
 Product selection guide  
 4010/4010T Series  
 4020/4020T Series  
**4030/4030T Series**  
 4040XP/4040XPT Series  
 4050A/4050AT Series  
 4110/4110T Series  
 4000T Series



## Mounting details

### Stop face (push) side mounting



Butt hinges	Should not exceed 5" (127 mm) in width
Auxiliary stop	Recommended at hold open point or where a door cannot swing 110°
Reveal	Should not exceed 1 3/4" (44 mm)
Top rail	Requires 4 1/8" (105 mm) minimum measured from the stop
Head frame	Minimum 1 1/4" (32 mm)
Maximum opening	<ul style="list-style-type: none"> <li>Can be templated for 110°</li> <li>Hold open points up to maximum opening with hold open option</li> </ul>

Note: Consult factory for applications where door must swing 180°.

## Accessories

### Cylinders



**4031T-3071**  
**Cast iron cylinder assembly (CYL)**

- Non-handed
- Standard

### Covers



**4030T-72MC**  
**Metal Cover (MC)**

- Non-handed

### Arms



**4030T-3077T**  
**Standard Arm (STDTRKARM)**

- Non-handed
- Single lever mounts hinge side, top jamb or stop face
- Track roller included

### Tracks



**4030T-3038**  
**Standard Track (STDTRK)**

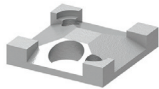
- Non-handed
- Non hold open track mounts on either side of the door
- Will accept hold open clip
- Standard



**4030T-3038H**  
**Hold Open Track (H)**

- Non-handed
- Hold open track mounts on either side of the door
- Comes with 4030T-3054 hold open clip
- Optional

### Installation accessories



**4030T-3054**  
**Hold-open clip**

- Mounts in track to provide hold open function
- Hold open point controlled by clip location
- Requires 4030T-3034H

## Ordering information

### How-to-order 4030T Series closers

#### 1. Select finish

- Standard powder coat \_\_\_\_\_  
Matte Black (622), Aluminum (689),  
Dark Bronze (695), Statuary Bronze  
(690), Light Bronze (691), Black (693),  
or Brass (696)

#### Closer options

##### Finish

- Custom powder coat (RAL) \_\_\_\_\_
- Plated finish \_\_\_\_\_
- SRI primer (use with powder coat finishes only)

##### Track

- Hold Open Arm (H)

### Closer will be shipped with:

- Standard cylinder
- Standard metal cover
- Standard track
- Standard arm
- Track roller
- Wood and self tapping machine screw pack  
(unless options listed below are selected)

### Optional screw packs

- Through Bolt<sup>1</sup> Wood and Machine Screws (TBWMS)

1. Specify door thickness if other than 1 3/4".

### Table of sizes

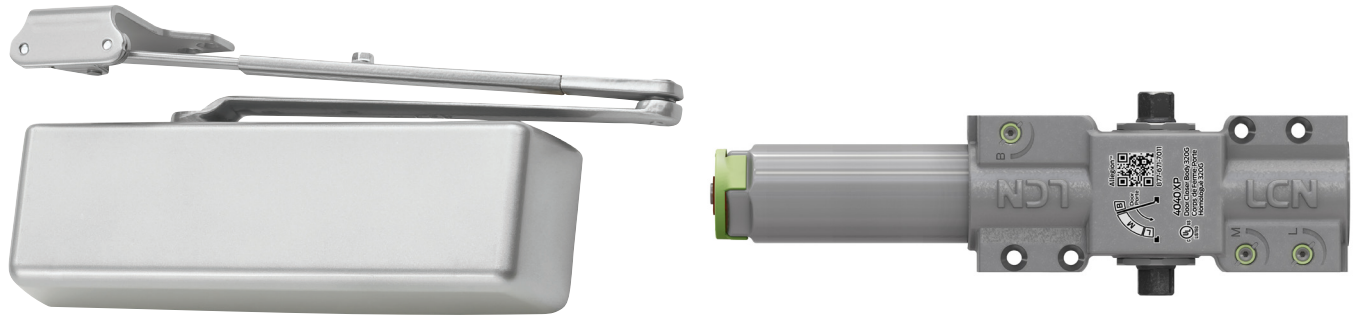
- Non-sized 4031T Series cylinder is adjustable from sizes 1 to 3 and is shipped set to size 3

#### Interior door width



→ Indicates recommended range of door width for closer size.

# 4040XP Series



The 4040XP Series is LCN's most popular door closer—and for good reason. This durable non-handed, surface-mounted heavy-duty closer, is designed for the most demanding high-use-and-abuse applications as well as for easy installation and maintenance.

## Features

<b>Certifications</b>	Grade 1 - ANSI A156.4, UL 10C, ADA, 100 hour salt spray, meets BAA - Buy American Act	<b>Cover</b>	<ul style="list-style-type: none"> <li>Redesigned snap-fit plastic cover (PC) with improved retention fit, standard</li> <li>Metal Cover (MC), optional</li> </ul>
<b>Body construction</b>	<ul style="list-style-type: none"> <li>Patent-pending positive stop</li> <li>Patent-pending regulation valve indicators</li> <li>Independent speed adjustments</li> <li>QR code for instructions and support</li> <li>Cast iron body</li> <li>Full complement bearing</li> <li>1 1/2" diameter piston</li> <li>Double heat treated pinion journal</li> </ul>	<b>Fasteners</b>	Self reaming and tapping screws (SRT)
<b>Fluid</b>	All weather liquid X fluid	<b>Mounting</b>	Hinge (pull side), top jamb (push side), parallel arm (push side)
<b>Handing</b>	Non-handed	<b>Arms</b>	Regular arm
<b>Templating</b>	Peel-n-Stick templates - 2 1/4" x 5" mounting hole pattern	<b>Finishes/colors/ powder coat</b>	<ul style="list-style-type: none"> <li>622 Matte black</li> <li>689 Aluminum</li> <li>690 Statuary bronze</li> <li>691 Light bronze</li> <li>693 Black</li> <li>695 Dark bronze</li> <li>696 Brass</li> <li>Custom colors optional</li> </ul>
<b>Size</b>	Adjustable spring size 1-6, includes LCN Green Dial		<ul style="list-style-type: none"> <li>Optional SRI primer - powder coat only</li> <li>Optional plated finishes</li> </ul>
<b>Warranty</b>	30 years		

**Special templates** | Customized installation templates or products may be available to solve non-standard applications. Contact LCN Product Support for assistance.

Mounting	Finish	Cover	Cylinder	Arm function*
Hinge (pull) side Top jamb (pull) Top jamb (push) Parallel arm Stop face	Powder coat Plated Plastic Metal	Non-handed Non-sized Accessibility Delay Action *** CYLAVB**	120° 120° 180° 110° 110°	Regular (double) Standard (single) Hold Open Fusible Link EDA/HEDA CUSH/HCUSH SCUSH/SHCUSH Double Egress
■ Available ■ Not available	■ Available ■ Not available	■ Available ■ Not available ♿ Closer available with less than 5.0 lbs. opening force on 36" door.	■ Available ■ Not available	■ Available ■ Not available

\* Maximum opening/hold open point with standard template.  
 \*\* Advanced Variable Back Check.  
 \*\*\* Delay feature incorporates standard 4040 cylinder (not XP).

Introduction  
 Product selection guide  
 4010/4010T Series  
 4020/4020T Series  
 4030/4030T Series  
 4040XP/4040XPT Series  
 4050A/4050AT Series  
 4110/4110T Series  
 4000T Series

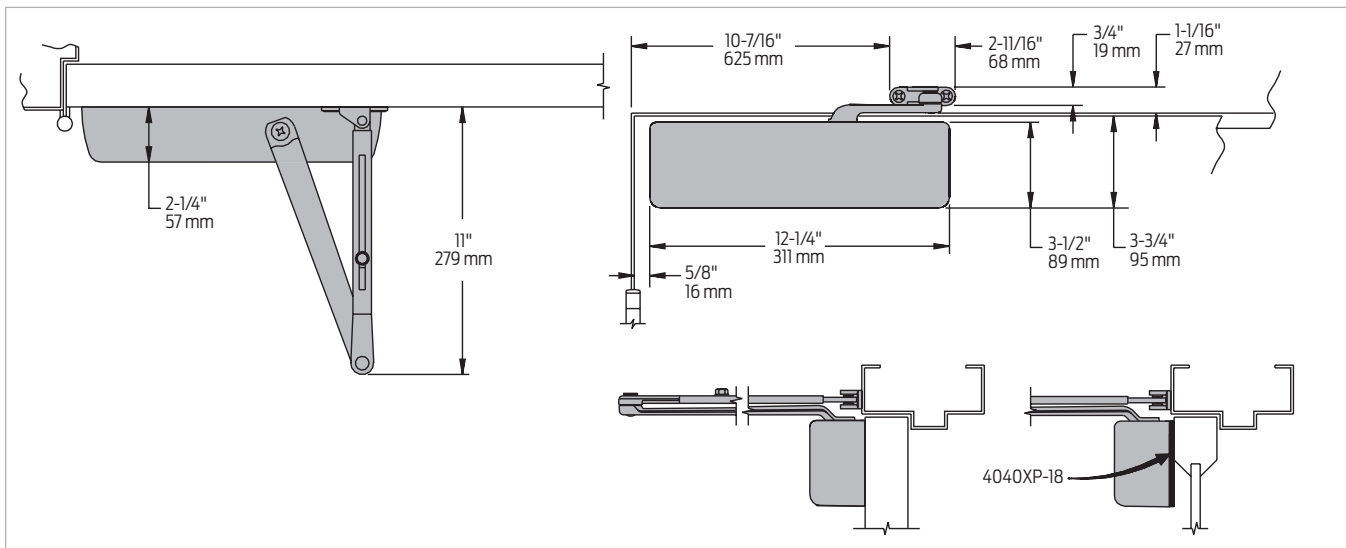
## Adjustments

There are several design features that make installation or adjustment of the 4040XP easier and more intuitive.

- **LCN Green Dial** provides a visual reference of the spring power setting, taking the guesswork out of spring power adjustments.
- **Additional adjustments** can be made to the back check, main, and latch regulation valves which are labeled for easy identification.
  - Labels correspond to a diagram with door swing zones located on the closer body.
- **Patent-pending positive stop feature** on all regulation valves. The improved staking feature prevents the screw from being backed out and causing accidental damage to the product.
  - The patent-pending regulation valve indicators provide visual color indicators of how far a screw is backed out—the more visible the component, the faster the speed.
  - This makes adjustments simpler and more intuitive.
- **New QR code** that provides on-the-spot access to interactive installation and maintenance instructions and tech support.

## Mounting details

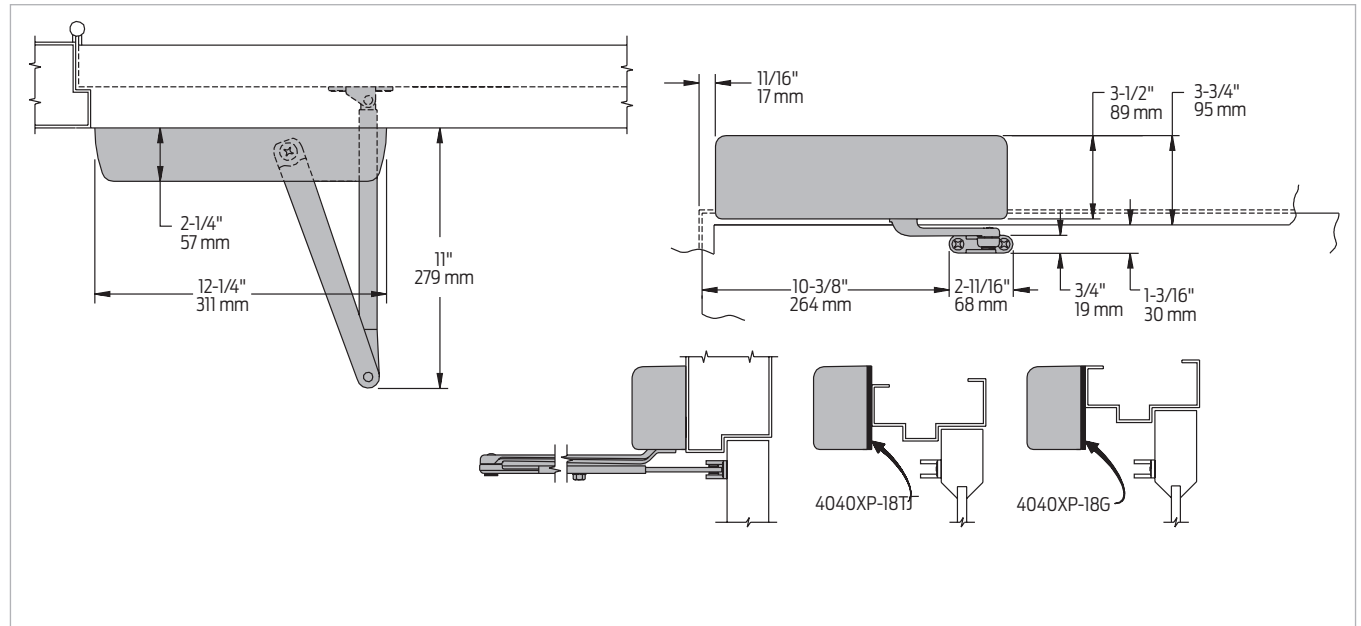
### Hinge (pull) side mounting



Butt hinges	Should not exceed 5" (127 mm) in width
Auxiliary stop	Recommended at hold open point or where a door cannot swing beyond 120°
Reveal	Should not exceed 3/4" (19 mm) for Regular or Hold Open Arm
Top rail	Less than 3 3/4" (95 mm) requires plate, 4040XP-18; Plate requires 2" (51 mm) minimum
Clearance	2 3/8" (60 mm) behind door required for 90° installation
Delay action	<ul style="list-style-type: none"> <li>▪ Incorporates standard 4041 cylinder</li> <li>▪ Delays closing from 120° to 70°</li> <li>▪ Delay time adjustable up to approximately 1 minute</li> </ul>
Maximum opening	<ul style="list-style-type: none"> <li>▪ Templating allows up to 120°</li> <li>▪ Hold open points 90° up to 120° with Hold Open Arm</li> </ul>

## Mounting details

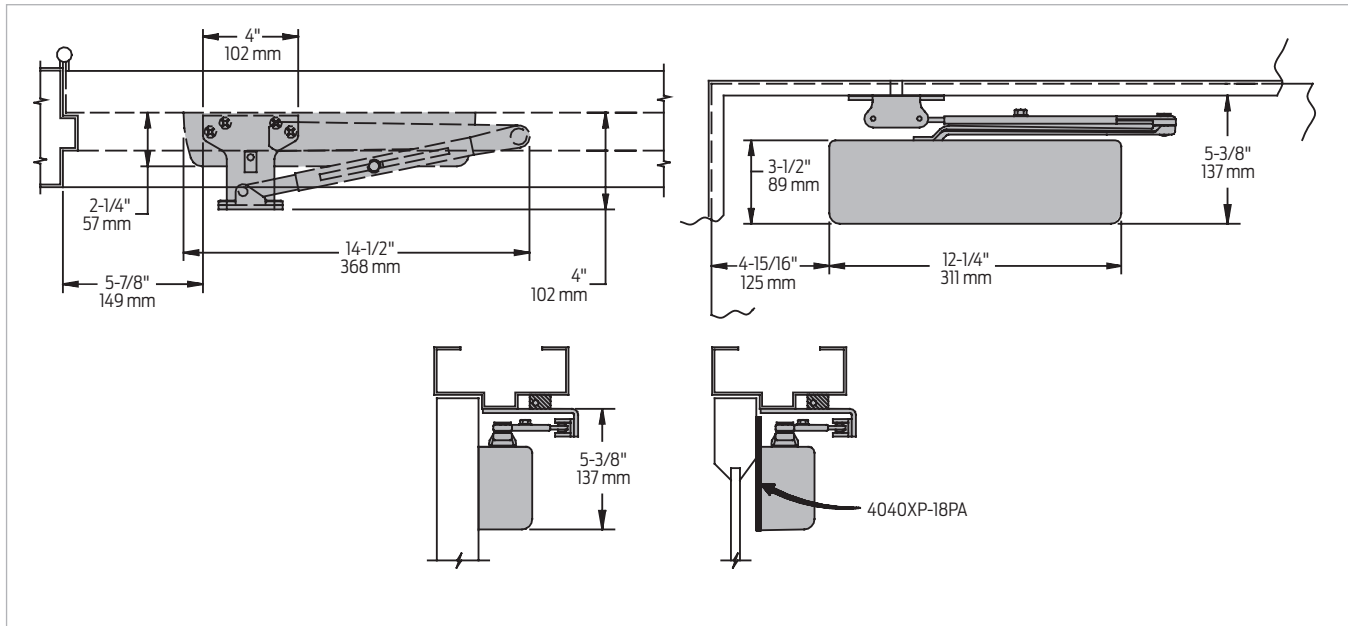
### Top jamb (push) side mounting



<b>Butt hinges</b>	Should not exceed 5" (127 mm) in width		
<b>Auxiliary stop</b>	Recommended at hold open point or where a door cannot swing beyond 120°		
<b>Reveal</b>	<b>Arm type</b>	<b>Reveal</b>	<b>Max opening</b>
	Regular Arm	2 9/16"	Up to 120°
	Long Arm	4 13/16"	Up to 120°
	Hold Open Arm	2 9/16"	Up to 120°
	Hold Open Long Arm	8"	Up to 120°
<b>Top rail</b>	<ul style="list-style-type: none"> <li>Requires 1 1/4" (32 mm) minimum</li> <li>2 1/4" (57 mm) minimum with closer on plate, 4040XP-18TJ</li> <li>3" (76 mm) minimum with closer on plate, 4040XP-18G</li> </ul>		
<b>Head frame</b>	<ul style="list-style-type: none"> <li>Less than 3 1/2" (89 mm) requires plate, 4040XP-18TJ</li> <li>With flush ceiling, use plate, 4040XP-18G. Either plate requires 1 3/4" (44 mm) minimum</li> </ul>		
<b>Maximum opening</b>	<ul style="list-style-type: none"> <li>Templating allows up to 120°</li> <li>Hold open points 85° up to 120° with Hold Open Arm</li> </ul>		
<b>Delay action</b>	<ul style="list-style-type: none"> <li>Incorporates standard 4041 cylinder</li> <li>Delays closing from 120° to 70°</li> <li>Delay time adjustable up to approximately 1 minute</li> </ul>		

## Mounting details

### Parallel arm (push) side mounting



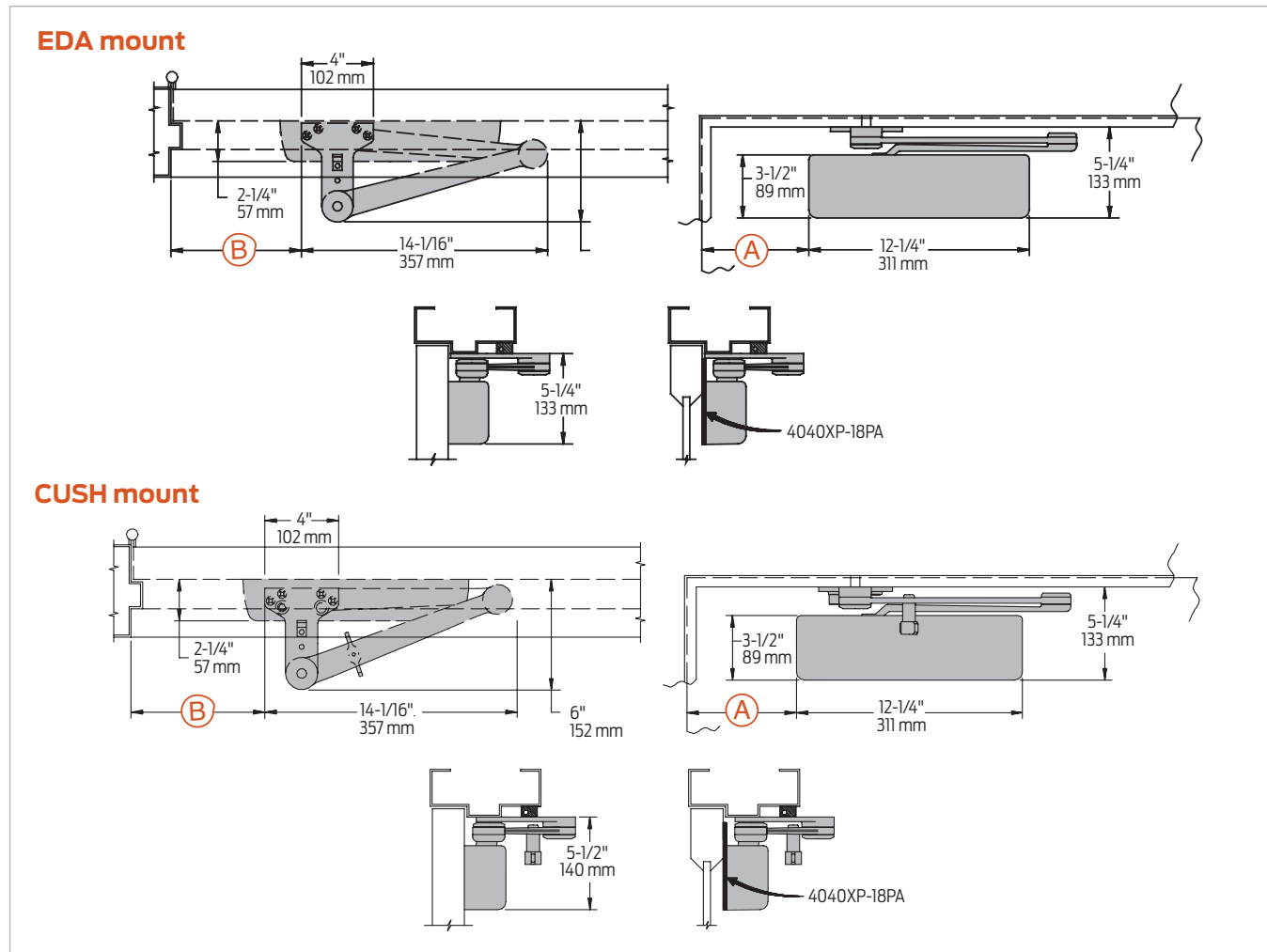
Butt hinges	Should not exceed 5" (127 mm) in width
Auxiliary stop	Recommended at hold open point, where the door cannot swing 180°, or where Cush-n-Stop Arm is not used
Reveal	Should not exceed 7/32" (6 mm)
Top rail	Less than 5 3/8" (137 mm) measured from the stop requires plate, 4040XP-18PA. Plate requires 2" (51 mm) minimum from the stop.
Head frame	Flush or rabbeted requires PA shoe adapter, 4040XP-419
Stop width	Minimum 1" (25 mm). CUSH arm requires minimum 1 1/2" (38 mm)
Blade stop	Clearance requires 1/2" (13mm) blade stop spacer, 4040XP-61
Clearance	<ul style="list-style-type: none"> <li>4040XP-62PA shoe is 4" (102 mm) from door face</li> <li>EDA shoe projects 5 1/2" (140 mm) from door face</li> <li>CUSH shoe projects 6" (152 mm) from door face</li> </ul>
Delay action	<ul style="list-style-type: none"> <li>Incorporates standard 4041 cylinder, without XP cylinder</li> <li>Delays closing from 120° to 70°</li> <li>Delay time adjustable up to approximately 1 minute</li> </ul>
Maximum opening	<ul style="list-style-type: none"> <li>180° opening/hold open points with all except CUSH arms</li> <li>110° opening/hold open with CUSH arms</li> </ul>

Notes:

- Optional mounting requires PA shoe, 4040XP-62PA for regular or Hold Open Arms
- Add prefix "P" to closer description (eg. P4040XP)
- P4040XP closer includes 4040XP-201 fifth hole spacer to support PA shoe

# Mounting details

## EDA and CUSH mounting



Clearance	4040XP-62EDA is 5 1/2" (140 mm) from door face; 6" (152 mm) for CUSH	
Head frame	Flush or rabbeted requires CUSH flush panel adapter, 4040XP-419	
CUSH Arm	Requires shoe support, 4040XP-30 for fifth screw anchorage where reveal is less than 3 1/16" (78 mm)	
Delay action	<ul style="list-style-type: none"> <li>Incorporates standard 4041 cylinder, without XP cylinder</li> <li>Delays closing from maximum opening to; 115° with 180° template, 95° with 110° template, 85° with 100° template, 75° with 90° template (delay time adjustable up to approximately 1 minute)</li> </ul>	
Maximum opening	EDA arm can be templated for points at:	CUSH arms can be templated for opening/hold open point at:
	110°: A = 6 3/8" (162 mm) B = 7 3/4" (197 mm)	85°: A = 7 15/16" (202 mm) B = 9 1/8" (232 mm)
	or 180°: A = 2 7/8" (73 mm) B = 4 1/4" (108 mm)	90°: A = 7 3/16" (183 mm) B = 8 1/2" (216 mm)
	Hold open points up to maximum opening with HEDA arm	100°: A = 6 1/16" (154 mm) B = 7 1/4" (184 mm)
		or 110°: A = 5 1/16" (129 mm) B = 6 3/8" (162 mm)

- Notes:
- 4040XP Series closers ordered with EDA or CUSH arms include 4040XP-201 fifth hole spacer to support the shoe
  - SCUSH stop points are approximately 5° more than templated stop point
  - Hold open at templated stop points

Introduction  
Product selection guide  
4010/4010T Series  
4020/4020T Series  
4030/4030T Series  
4040XP/4040XPT Series  
4050A/4050AT Series  
4110/4110T Series  
4000T Series



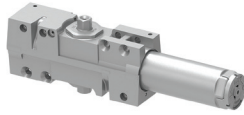
## Accessories

### Cylinders



**4040XP-3071  
Cast iron cylinder  
assembly (CYL)**

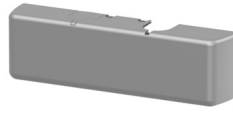
- Non-handed
- Heavy duty



**4041-3071 DEL  
Delay Action Cylinder  
(CYLDEL)**

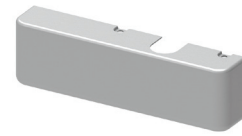
- Used for delayed action closing
- Non-handed
- Heavy duty

### Covers



**4040XP-72  
plastic cover (PC)**

- Non-handed
- Includes 4040XP-54 snap-on cover clip
- Redesigned patent-pending snap-fit cover with improved retention fit



**4040XP-72MC  
metal cover (MC)**

- Handed
- Required for plated finishes and custom powder coat finishes
- Optional

### Arms



**4040XP-3077  
Regular Arm (REGARM)**

- Non-handed
- Mounts pull side or top jamb with shallow reveal P4041 closer includes PA shoe, 4040XP-62PA required for parallel arm mounting



**4040XP-3077L  
Long Arm (LONG)**

- Non-handed
- Includes long rod and shoe, 4040XP-79LR for top jamb mount
- Optional



**4040XP-3077ELR  
Extra Long Arm (XLONG)**

- Non-handed
- Includes extra long rod and shoe, 4040XP-79ELR for top jamb mount with deep reveal
- Optional



**4040XP-3049  
Hold Open Arm (H)**

- Non-handed
- Mounts pull side or top jamb with shallow reveal, hold open adjustable shoe
- 4040XP closer includes 4040XP-62PA shoe required for parallel arm mounting
- Optional



**4040XP-3049L  
Hold Open Long Arm (HLONG)**

- Non-handed
- Includes long head and tube, 4040XP-3048L for top jamb mount
- Optional



**4040XP-3077EDA  
Extra Duty Arm (EDA)**

- Non-handed
- Features forged, solid steel main and forearm for potentially abusive installations
- Optional



**4040XP-3049EDA  
Hold Open Extra Duty Arm (HEDA)**

- Handed
- Parallel arm features forged, solid steel main and forearm for potentially abusive installations
- Hold open function is adjusted at the shoe
- Optional



**4040XP-3077EDA/62G  
Extra Duty Arm with 62G Thick  
Hub Shoe (EDAW62G)**

- Non-handed
- Features forged, solid steel main and forearm for potentially abusive installations
- 62G shoe provides additional blade stop clearance
- Optional



**4040XP-3049EDA/62G  
Hold Open Extra Duty arm with 62G  
Thick Hub Shoe (HEDA62G)**

- Handed
- Features forged, solid steel main and forearm for potentially abusive installations
- 62G shoe provides additional blade stop clearance; hold open function is adjusted at the shoe
- Optional



**4040XP-3077CNS  
Cush-n-Stop Arm (CUSH)**

- Non-handed
- Features solid forged steel main arm and forearm with stop in soffit shoe.
- Optional



**4040XP-3049CNS  
Hold Open Cush-n-Stop Arm  
(HCUSH)**

- Non-handed
- Hold open function with templated stop/hold open points
- Handle controls hold open function
- Optional

## Accessories

### Arms (cont.)

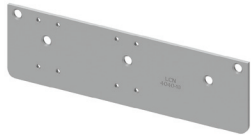


- 4040XP-3077SCNS**  
**Spring Cush-n-Stop Arm (SCUSH)**
- Non-handed
  - For potentially abusive applications features solid forged steel main arm and forearm with spring loaded stop in the soffit shoe
  - Optional



- 4040XP-3049SCNS**  
**Spring Hold Open Cush-n-Stop Arm (SHCUSH)**
- Non-handed
  - For potentially abusive applications features solid forged steel main arm and forearm with spring loaded stop in the soffit shoe
  - Handle controls hold open function
  - Optional

### Installation accessories



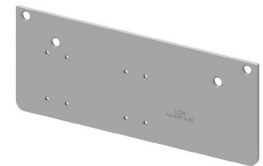
- 4040XP-18**  
**Plate**
- Required for hinge side mount where top rail is less than 3 3/4" (95 mm)
  - Requires minimum 2" (51 mm) minimum top rail



- 4040XP-18G**  
**Plate**
- Locates top jamb mounted closer flush with top of head frame face in flush ceiling condition
  - Requires 1 3/4" (44 mm) minimum head frame



- 4040XP-18TJ**  
**Plate**
- Centers top jamb mounted closer vertically on head frame where face is less than 3 1/2" (89 mm). Plate requires 1 3/4" (44 mm) minimum head frame



- 4040XP-18PA**  
**Plate**
- Required for parallel arm mounting where top rail is less than 5 1/2" (140 mm), measured from the stop
  - Requires 2" (51 mm) minimum top rail



- 4040XP-62PA**  
**PA shoe**
- Required for parallel arm mounting



- 4040XP-30**  
**CUSH shoe support**
- Provides anchorage for fifth screw used with CUSH arms, where reveal is less than 3 1/16" (78 mm)
  - Optional



- 4040XP-61**  
**Blade stop spacer**
- Required to lower parallel arm shoe to clear 1/2" (13 mm) blade stop
  - Optional



- 4040XP-419**  
**PA flush panel adapter**
- Provides horizontal mounting surface for parallel arm shoe on single rabbeted or flush frame
  - Optional



- 4040XP-62A**  
**Auxiliary shoe**
- Requires a top rail of 7" (178 mm)
  - Shoe replaces -62PA for parallel arm mounting of regular arm with overhead holder/stop
  - Optional



- 4040XP-54**  
**Snap-on cover clip**
- Used to secure 4040XP-72 plastic cover to cylinder body

Introduction  
 Product selection guide  
 4010/4010T Series  
 4020/4020T Series  
 4030/4030T Series  
 4040XP/4040XPT Series  
 4050A/4050AT Series  
 4110/4110T Series  
 4000T Series

## Ordering information

### How-to-order 4040XP Series closers

#### 1. Select finish

- Standard powder coat \_\_\_\_\_  
Matte Black (622), Aluminum (689), Dark Bronze (695),  
Statuary Bronze (690), Light Bronze (691), Black (693),  
or Brass (696)

#### Closer options

##### Cylinder

- Delay Action Cylinder (CYLDEL)

##### Cover

- Metal (specify right or left hand)(MC)

##### Finish

- Custom powder coat (RAL) \_\_\_\_\_  
(handed metal cover required)
- Plated finish, US \_\_\_\_\_  
(handed metal cover required)
- SRI primer  
(use with powder coat finishes only)

##### Arm

- Regular Arm (REGARM)
- Regular Arm with Parallel  
Arm Bracket (RWPA)
- Regular Arm with 62A  
Auxiliary Shoe (RW62A)
- Long Arm (LONG)
- Extra Long Arm (XLONG)
- Hold Open Arm (H)

- Hold Open with Parallel Arm  
Bracket (HWPB)
- Hold Open Long Arm (HLONG)
- Extra Duty Arm (EDA)
- Extra Duty Arm with 62G Thick  
Hub Shoe (EDAW62G)
- Hold Open Extra Duty Arm (HEDA)
- Cush-n-Stop Arm (CUSH)
- Hold Open Cush-n-Stop Arm  
(HCUSH)
- Spring Cush-n-Stop Arm (SCUSH)
- Spring Hold Open Cush-n-Stop  
Arm (SHCUSH)

##### Optional screw packs

- Through Bolt<sup>1</sup> Self Reaming and  
Tapping Screws (TBSRT)
- Wood and Machine Screws  
(WMS)
- Through Bolt<sup>1</sup> Wood and Machine  
Screws (TBWMS)
- Torx Machine Screws (TORX)

- Through Bolt<sup>1</sup> and Torx Machine  
Screws (TBTRX)

##### Installation accessories

- Plate, 4040XP-18
- Plate, 4040XP-18TJ
- Plate, 4040XP-18G
- Plate, 4030-18PA
- CUSH shoe support,  
4040XP-30
- Blade stop spacer, 4040XP-61
- Auxiliary shoe, 4040XP-62A
- PA flush panel adapter,  
4040XP-419

##### Special template

- ST- \_\_\_\_\_

1. Specify door thickness if other than 1 3/4".

### Table of sizes

- 4040XP cylinders are adjustable from size 1 through size 6 and is shipped set to size 3
- Closing power of 4040XP Series closers may be adjusted 50%

#### Exterior (and vestibule) door width



#### Interior door width



→ Indicates recommended range of door width for closer size.  
\* Adjustable Size 1 thru 5.


### Closer will be shipped with:

- Standard cylinder
- Standard cover
- Regular arm
- Self reaming and tapping screws  
(unless options listed below are selected)

### Reduced opening force 4040XP Series closers

**CAUTION!** Any manual door closer, including those certified by BHMA to conform to ANSI Standard A156.4, that is selected, installed and adjusted based on ADA or other reduced opening force requirements may not provide sufficient power to reliably close and latch a door.

Refer to Automatic Operators catalog for information on systems that meet reduced opening force requirements without effecting closing power.

	Door width	36"	42"	48"
	8.5* lbs.	4040XP	4040XP	4040XP
	5.0* lbs.	4040XP	4040XP	4040XP

\* Maximum opening force.

# 4040XPT Series



The 4040XPT is a Grade 1 device featuring a cast iron body and Liquid X Fluid ideal for pull or push side placement in high traffic applications. Its high-quality construction provides for reliable performance.

## Features

<b>Certifications</b>	Grade 1 - ANSI A156.4, UL 10C, ADA, 100 hour salt spray, meets BAA - Buy American Act	<b>Cover</b>	<ul style="list-style-type: none"> <li>Redesigned snap-fit plastic cover (PC) with improved retention fit, standard</li> <li>Metal cover (MC), optional</li> </ul>
<b>Body construction</b>	<ul style="list-style-type: none"> <li>Cast iron body</li> <li>Full complement bearing</li> <li>1½" diameter piston</li> <li>Double heat treated pinion journal</li> </ul>	<b>Fasteners</b>	Self reaming and tapping screws (SRT)
<b>Fluid</b>	All weather liquid X fluid	<b>Mounting</b>	Pull side on door, pull side top jamb, push side on door
<b>Handing</b>	Non-handed	<b>Arms</b>	Standard arm and track with roller
<b>Size</b>	Adjustable spring size 1-4	<b>Finishes/colors/powder coat</b>	<ul style="list-style-type: none"> <li>622 Matte black</li> <li>689 Aluminum</li> <li>690 Statuary bronze</li> <li>691 Light bronze</li> <li>693 Black</li> <li>695 Dark bronze</li> <li>696 Brass</li> <li>Custom colors optional</li> </ul>
<b>Warranty</b>	30 years		<ul style="list-style-type: none"> <li>Optional SRI primer - powder coat only</li> <li>Optional plated finishes</li> </ul>

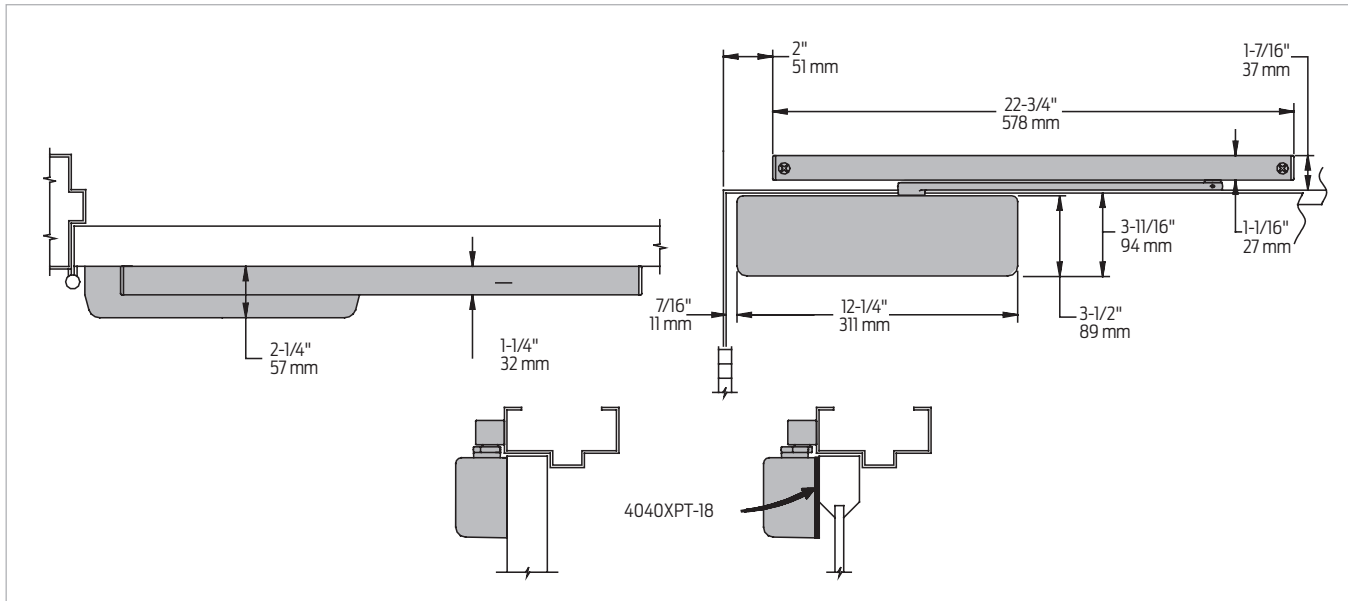
**Special templates** | Customized installation templates or products may be available to solve non-standard applications. Contact LCN Product Support for assistance.

Mounting	Finish	Cover	Cylinder	Arm function*
Hinge (pull) side Top jamb (pull) Top jamb (push) Parallel arm Stop face	Powder coat Plated Plastic Metal	Non-handed Non-sized Accessibility Delay Action*** CYLA/VB**	Regular (double) Standard (single) Hold Open Fusible Link EDA/HEDA CUSH/HCUSH SCUSH/SHCUSH Double Egress	120° 110° 95°
■ Available ■ Not available	■ Available ■ Not available	■ Available ■ Not available ♿ Closer available with less than 5.0 lbs. opening force on 36" door. * Maximum opening/hold open point with standard template. ** Advanced Variable Back Check. *** Delay feature incorporates standard 4040 cylinder (not XP).		

Introduction  
 Product selection guide  
 4010/4010T Series  
 4020/4020T Series  
 4030/4030T Series  
**4040XP/4040XPT Series**  
 4050A/4050AT Series  
 4110/4110T Series  
 4000T Series

## Mounting details

### Hinge (pull) side mounting

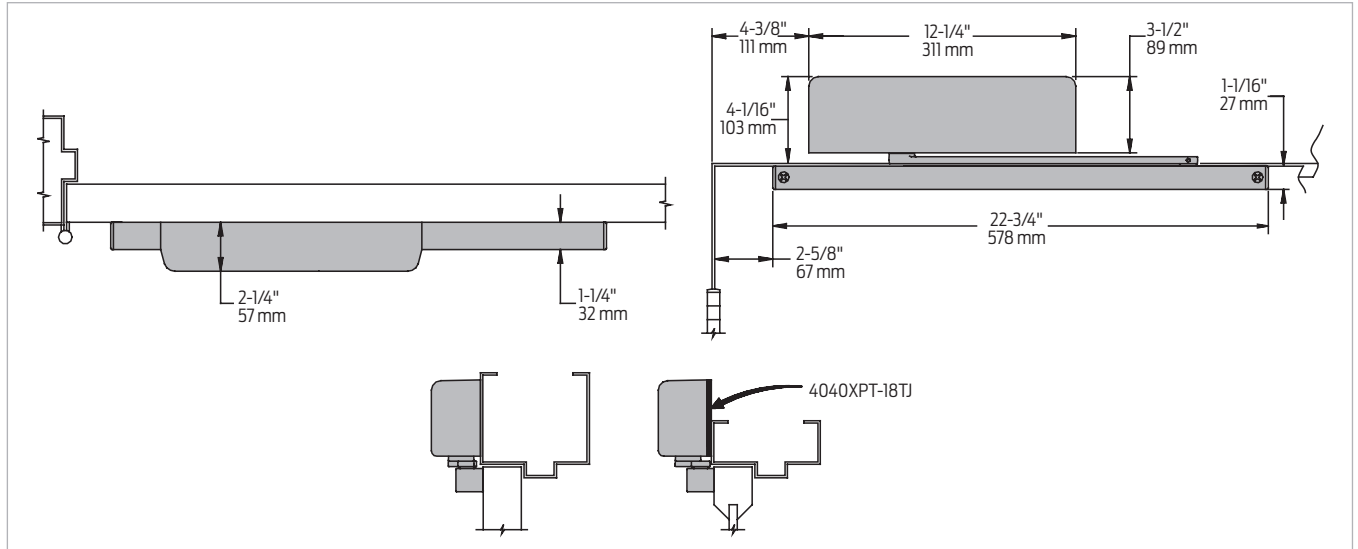


Butt hinges	Should not exceed 5" (127 mm) in width
Auxiliary stop	<ul style="list-style-type: none"> <li>Recommended at hold open point or where a door cannot swing 120°</li> <li>Optional track bumper assembly assists back check in cushioning the opening swing of the door</li> <li>Track bumper is not intended to replace an auxiliary stop</li> </ul>
Reveal	Should not exceed 1/8" (3 mm) for standard arm
Top rail	Less than 3 3/4" (95 mm) requires plate, 4040XPT-18. Plate requires 1 13/16" (44 mm) minimum.
Head frame	Requires 1 1/4" (32 mm) minimum
Clearance	2 1/4" (57 mm) behind door required for 90° installation
Maximum opening	<ul style="list-style-type: none"> <li>Templating allows 120° with standard arm, limited to 110° when optional bumper is installed</li> <li>Variable hold open angles with infinite options</li> </ul>

Note: Consult factory for applications where door must swing 180°

## Mounting details

### Top jamb (pull) side mounting

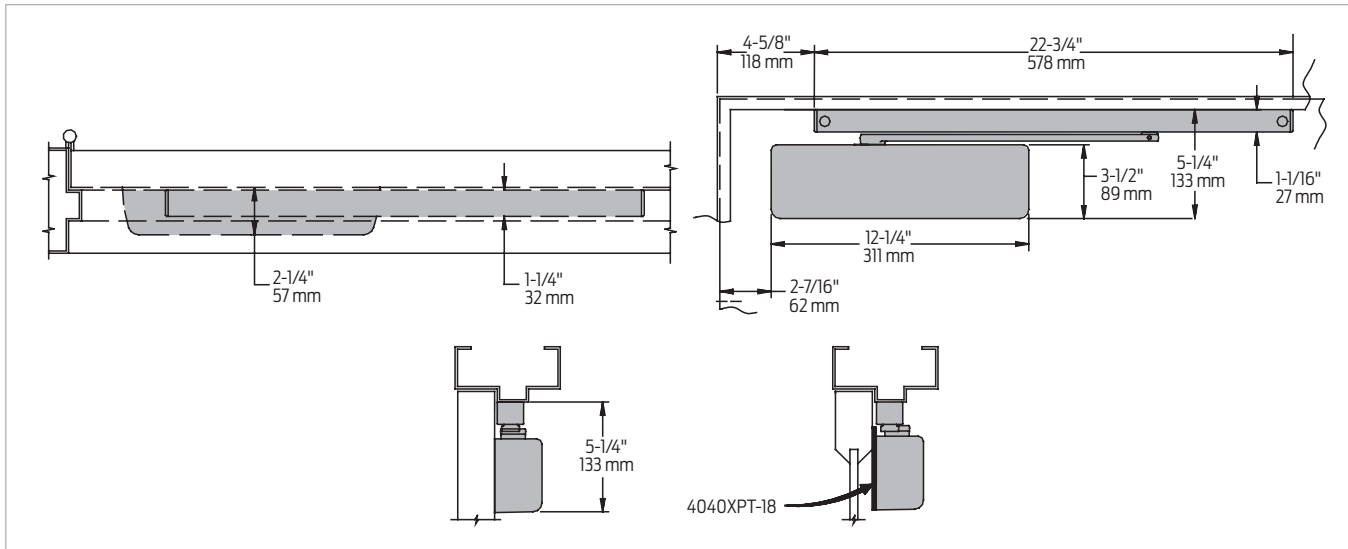


Butt hinges	Should not exceed 5" (127 mm) in width
Auxiliary stop	<ul style="list-style-type: none"> <li>Recommended at hold open point or where a door cannot swing 180°</li> <li>Optional track bumper assembly assists back check in cushioning the opening swing of the door</li> <li>It is not intended to replace an auxiliary stop</li> </ul>
Reveal	Should not exceed 1/8" (3 mm)
Head frame	Less than 3 7/8" (98 mm), requires plate, 4040XPT-18TJ. Plate requires 1 3/4" (44 mm) minimum.
Clearance	1 1/4" (32 mm) behind door required for 180° installation
Maximum opening	<ul style="list-style-type: none"> <li>Templating allows 180° with standard track arm, limited to 110° with optional bumper installed</li> <li>Consult factory if door will be held open at 180°</li> <li>Variable hold open angles with infinite options</li> </ul>

Note: Consult factory for applications where an exterior or large/heavy door must swing 180°

## Mounting details

### Stop face (push) side mounting



Butt hinges	Should not exceed 5" (127 mm) in width
Auxiliary stop	<ul style="list-style-type: none"> <li>Recommended at hold open point or where a door cannot swing 120°</li> <li>Optional track bumper assembly assists back check in cushioning the opening swing of the door</li> <li>It is not intended to replace an auxiliary stop</li> </ul>
Clearance	Projects 2 1/4" (57 mm) from face of door
Top rail	<ul style="list-style-type: none"> <li>Less than 5 1/4" (133 mm) measured from the stop, requires plate, 4040XPT-18</li> <li>Plate requires 3 1/2" (89 mm) minimum</li> </ul>
Stop width	Minimum 1 1/4" (32 mm)
Maximum opening	<ul style="list-style-type: none"> <li>Templating allows 120° with standard track arm, limited to 110° with optional bumper tracks</li> <li>Variable hold open angles with infinite options</li> </ul>

Note: Consult factory for applications where door must swing 180°.

## Accessories

### Cylinders

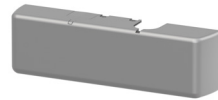
Image below does not reflect the enhanced 4040XP design. Updated image coming soon.



**4040XPT-3071  
Cast iron cylinder assembly (CYL)**

- Non-handed
- Standard

### Covers



**4040XPT-72  
Plastic Cover (PC)**

- Non-handed
- Snap-on
- Standard



**4040XPT-72MC  
Metal Cover (MC)**

- Handed
- Required for plated finishes and custom powder coat finishes
- Optional

### Arms



**4040XPT-3077T  
Standard Arm (STDTRKARM)**

- Non-handed
- Arm does not include track roller



**4040XPT-3077DE  
Double Egress Arm (DE)**

- Handed
- For double egress doors and frames
- Does not include track roller
- Maximum reveal is 2 11/16" (68mm)
- Optional

### Tracks



**4040XPT-3038  
Standard Track (STDTRK)**

- Non-handed
- Non hold open
- Will accept hold open clip and/or bumper assembly
- Standard



**4040XPT-3038B  
Track with Bumper (BUMP)**

- Non-handed
- Non hold open
- Will accept hold open clip
- Optional



**4040XPT-3038H  
Hold Open Track (H)**

- Non-handed
- With hold open clip installed
- Will accept bumper assembly
- Optional



**4040XPT-3038HB  
Hold Open Track with Bumper (HBMP)**

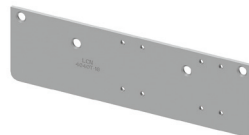
- Non-handed
- With hold open clip and bumper assembly installed
- Optional

### Installation accessories



**4040XPT-18  
Plate**

- Required for pull side (door mount) installations where top rail is less than 3 3/4" (95 mm)
  - Requires minimum 1 3/4" (44 mm) top rail
- Required for push side (door mount) installations where top rail is less than 5 1/4" (133 mm) measured from the stop
  - Requires minimum 3 1/2" (89 mm) top rail



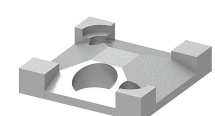
**4040XPT-18TJ  
Plate**

- Required for pull side top jamb installations where head frame is less than 3 7/8" (98 mm)
  - Requires minimum 1 3/4" (44 mm) head frame



**4040XPT-169  
Track bumper**

- Mounts in track to assist back check, does not replace auxiliary stop
- Limits maximum opening. Consists of bumper, bumper post, and mounting screw



**4040XPT-3054  
Hold open clip**

- Mounts in track to provide hold-open function
- Hold open point controlled by clip location
- Consists of clip and mounting screws
- Requires 4040XPT-3034H hold open track roller



**4040XPT-3034  
Track roller**

- Quiet, low friction roller assembly
- Shoulder dimension "X" = 1/8" (3mm)



**4040XPT-3034H  
Hold open track roller**

- Quiet, low friction roller assembly
- Shoulder dimension "X" = 1/8" (3mm)

Introduction  
Product selection guide  
4010/4010T Series  
4020/4020T Series  
4030/4030T Series  
4040XP/4040XPT Series  
4050A/4050AT Series  
4110/4110T Series  
4000T Series



## Ordering information

### How-to-order 4040XPT Series closers

#### 1. Select finish

- Standard powder coat \_\_\_\_\_  
Matte Black (622), Aluminum (689), Dark Bronze (695), Statuary Bronze (690), Light Bronze (691), Black (693), or Brass (696)

#### Closer options

##### Cover

- Metal Cover (MC)

##### Finish

- Custom powder coat (RAL) \_\_\_\_\_  
(handed metal cover required)
- Plated finish, US \_\_\_\_\_  
(handed metal cover required)
- SRI primer (use with powder coat finishes only)

##### Track

- Track with Bumper (BUMP)
- Hold Open Track (H)
- Hold Open Track with Bumper (HBMP)

#### Closer will be shipped with:

- Standard cylinder
- Standard cover
- Standard arm
- Track roller
- Standard track
- Self reaming and tapping screws  
(unless options listed below are selected)

#### Screw pack

- Through Bolt<sup>1</sup> Self Reaming and Tapping Screws (TBSRT)
- Wood and Machine Screws (WMS)
- Through Bolt<sup>1</sup> Wood and Machine Screws (TBWMS)
- Torx Machine Screws (TORX)
- Through Bolt<sup>1</sup> and Torx Machine Screws (TBTRX)

#### Installation accessories

- Plate, 4040XPT-18
- Plate, 4040XPT-18TJ

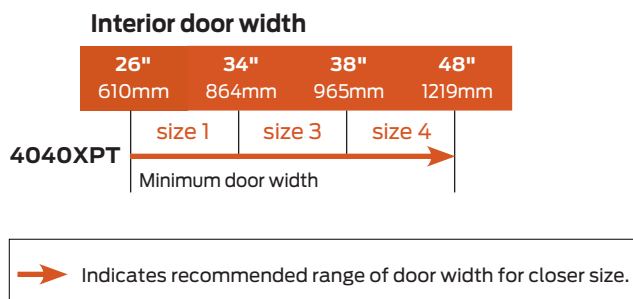
#### Special template

- ST- \_\_\_\_\_

1. Specify door thickness if other than 1 3/4".

### Table of sizes

- Non-sized 4040XPT Series cylinder is adjustable from sizes 1 through 4 and is shipped set to size 3



#### Reduced opening force 4040XPT Series closers

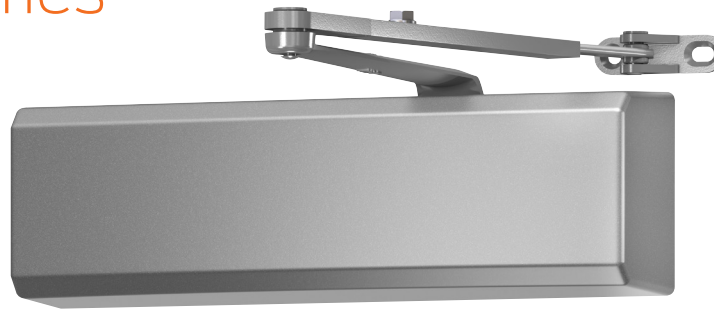
**CAUTION!** Any manual door closer, including those certified by BHMA to conform to ANSI Standard A156.4, that is selected, installed and adjusted based on ADA or other reduced opening force requirements may not provide sufficient power to reliably close and latch a door.

Refer to Automatic Operators catalog for information on systems that meet reduced opening force requirements without effecting closing power.

	Door width 36"	42"	48"
8.5* lbs.	N/A	N/A	N/A
5.0* lbs.	4040XPT	4040XPT	4040XPT

\* Maximum opening force.

# 4050A Series



The 4050A Series cast aluminum closer is engineered for durability and built tough to excel in the harsh environments of high frequency, high abusive traffic areas. Featuring the most common commercial footprint, it is ideal for commercial building applications that demand a combination of quality, reliability and value.

## Features

<b>Certifications</b>	Grade 1 - ANSI A156.4, UL 10C, ADA, 100 hour salt spray, meets BAA - Buy American Act
<b>Body construction</b>	<ul style="list-style-type: none"> <li>Cast aluminum body</li> <li>Full complement bearing</li> <li>1 1/2" diameter piston</li> <li>1/16" diameter double heat treated pinion journal</li> </ul>
<b>Fluid</b>	All weather liquid X fluid
<b>Handing</b>	Non-handed
<b>Templating</b>	2 3/8" x 6 3/4" mounting hole pattern
<b>Size</b>	Adjustable spring size 1-6
<b>Warranty</b>	25 years

<b>Cover</b>	<ul style="list-style-type: none"> <li>Plastic Cover (PC), standard</li> <li>Metal Cover (MC), optional</li> </ul>
<b>Fasteners</b>	Self reaming and tapping screws (SRT)
<b>Mounting</b>	Hinge (pull side), top jamb (push side), parallel arm (push side)
<b>Arms</b>	Standard regular arm
<b>Finishes/colors/ powder coat</b>	<ul style="list-style-type: none"> <li>622 Matte black</li> <li>689 Aluminum</li> <li>690 Statuary bronze</li> <li>691 Light bronze</li> <li>693 Black</li> <li>695 Dark bronze</li> <li>696 Brass</li> <li>Custom colors optional</li> <li>Optional SRI primer - powder coat only</li> </ul>

### Special templates

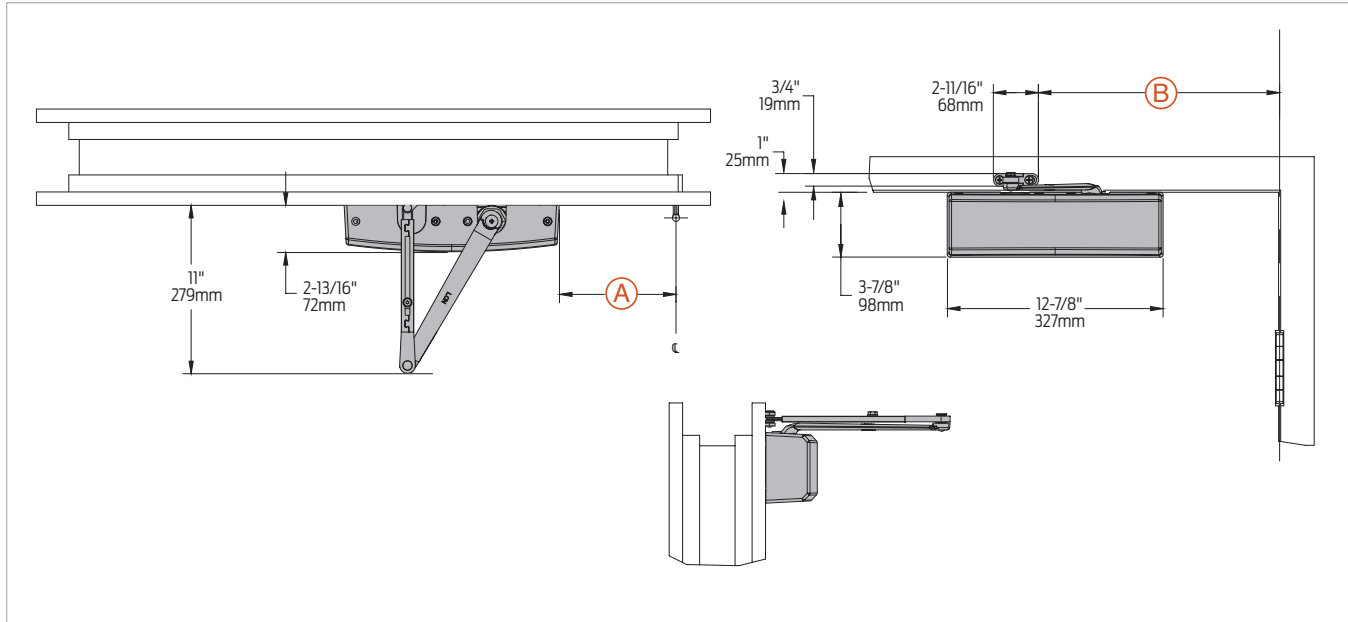
Customized installation templates or products may be available to solve non-standard applications. Contact LCN Product Support for assistance.

Mounting	Finish	Cover	Cylinder	Arm function*
Hinge (pull) side Top jamb (pull) Top jamb (push) Parallel arm Stop face	Powder coat Plated Plastic Metal	Non-handed Non-sized Accessibility Delay Action*** CYLAVB**	180° 180° 180° 110° 110°	Regular (double) Standard (single) Hold Open Fusible Link EDA/HEDA CUSH/HCUSH SCUSH/SHCUSH Double Egress
■ Available ■ Not available	■ Available ■ Not available	■ Available ■ Not available ♿ Closer available with less than 5.0 lbs. opening force on 36" door. * Maximum opening/hold open point with standard template. ** Advanced Variable Back Check. *** Delay feature incorporates standard 4040 cylinder (not XP).		

Introduction  
 Product selection guide  
 4010/4010T Series  
 4020/4020T Series  
 4030/4030T Series  
 4040XP/4040XPT Series  
 4050A/4050AT Series  
 4110/4110T Series  
 4000T Series

## Mounting details

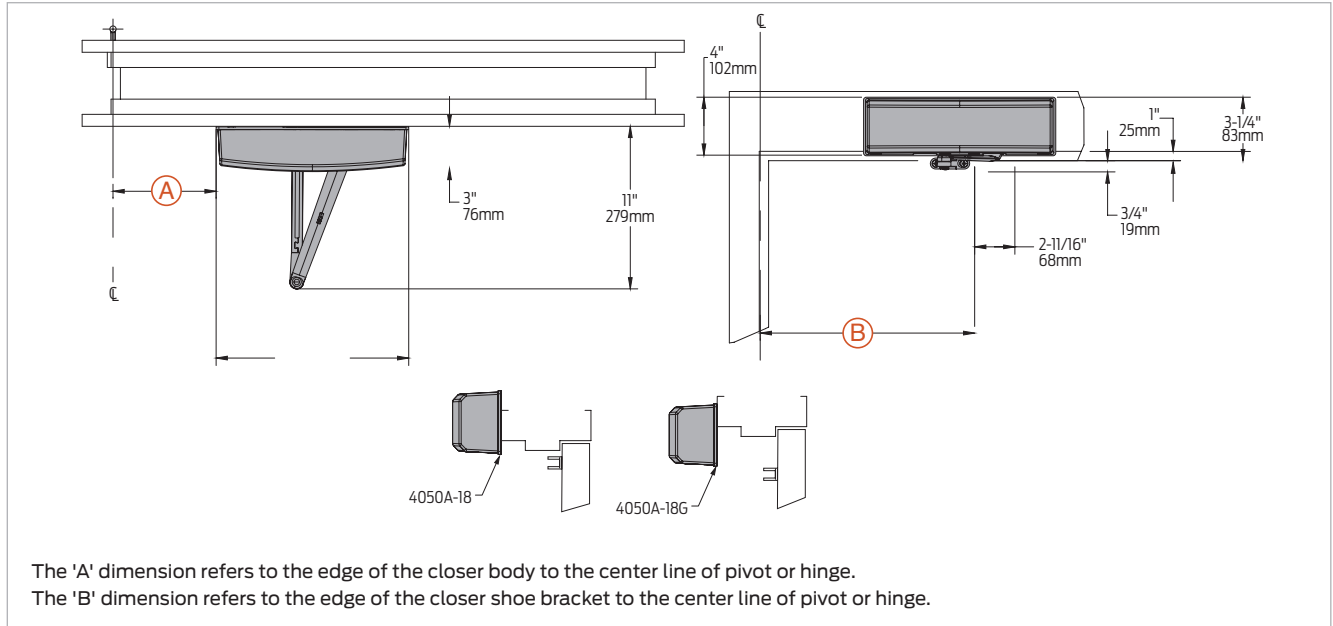
### Hinge (pull) side mounting



Butt hinges	Should not exceed 5" (127 mm) in width
Auxiliary stop	Recommended at hold open point or where a door cannot swing beyond templated maximum opening
Reveal	Should not exceed 3/4" (19 mm) for Regular Arm or Hold Open Arm
Top rail	<ul style="list-style-type: none"> <li>Less than 3 7/8" (98 mm) requires plate, 4050A-18.</li> <li>Plate requires 1 13/16" (44 mm) minimum</li> </ul>
Clearance	2 13/16" (72 mm) behind door required for 90° installation
Delay action	Delays closing from 180°-70°. Delay time adjustable up to approximately 1 minute
Maximum opening	<ul style="list-style-type: none"> <li>Templating allows up to 180°</li> <li>Hold open points up to maximum opening with Hold Open Arm</li> </ul>
	To 100°: A = 5 5/8" (143mm) B = 11 1/4" (286mm)
	100° to 120°: A = 4 3/8" (111mm) B = 10" (254mm)
	120° to 150°: A = 3 5/8" (92mm) B = 9 1/4" (235mm)
	150° to 180°: A = 2 5/8" (67mm) B = 8 1/4" (210mm)

## Mounting details

### Top jamb (push) side mounting

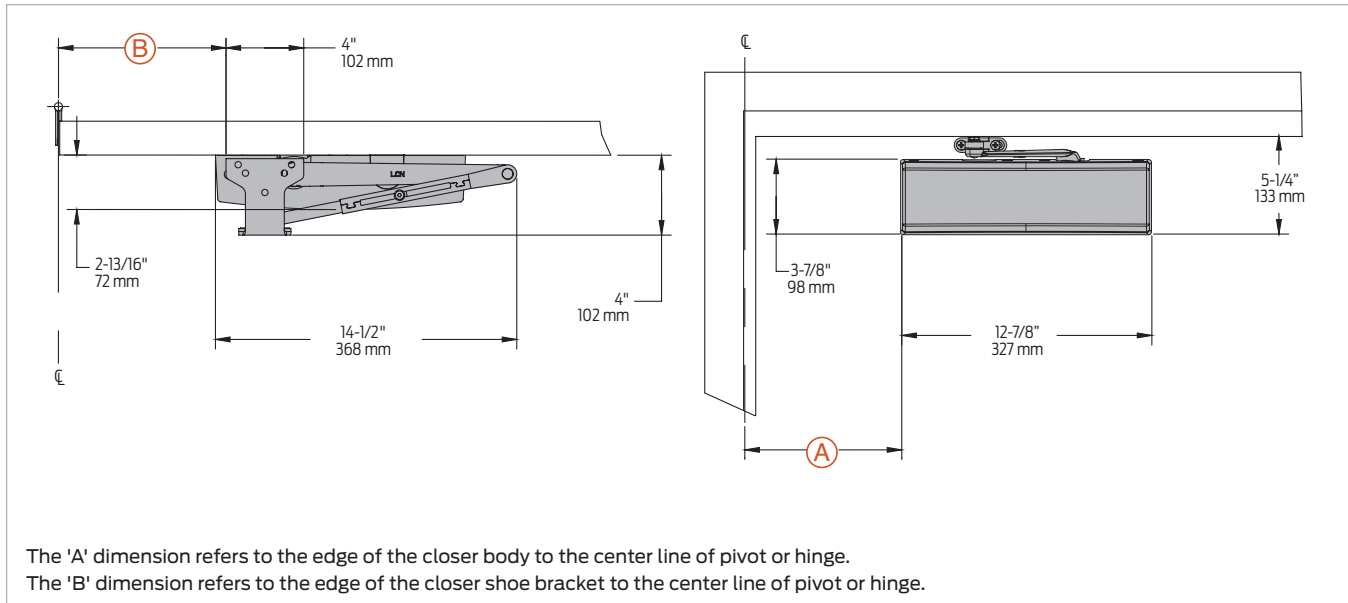


<b>Butt hinges</b>	Should not exceed 5" (127 mm) in width		
<b>Auxiliary stop</b>	Recommended at hold open point or where a door cannot swing beyond templated maximum opening		
<b>Reveal</b>	<b>Arm type</b>	<b>Reveal</b>	<b>Max opening</b>
	Regular Arm	2 9/16"	Up to 180°
	Long Arm	4 13/16"	Up to 165°
	Hold Open Arm	2 9/16"	Up to 180°
	Hold Open Long Arm	4 13/16"	Up to 155°
<b>Top rail</b>	<ul style="list-style-type: none"> <li>Closer on 4050-18 plate requires minimum 1 3/4" (45mm)</li> <li>Closer on 4050-18G plate requires minimum 3 3/8" (86mm)</li> </ul>		
<b>Head frame</b>	All top jamb installations require a plate <ul style="list-style-type: none"> <li>4050-18 plate requires minimum 3 1/4" (83mm) head frame and maximum stop height 5/8" (16mm)</li> <li>4050-18G plate requires minimum 1 5/8" (41mm) head frame</li> </ul>		
<b>Delay action</b>	Delay closing from 180° to 70°. Delay time adjustable up to approximately 1 minute.		
<b>Maximum opening</b>	<ul style="list-style-type: none"> <li>Templating allows up to 180°</li> <li>Hold open points up to maximum opening with Hold Open Arm</li> </ul>		
	To 100°:	A = 5 1/2" (140mm) B = 11 1/4" (286mm)	
	100° to 120°:	A = 4 1/4" (108mm) B = 10" (254mm)	
	120° to 150°:	A = 3 1/2" (89mm) B = 9 1/4" (235mm)	
	150° to 180°:	A = 2 1/2" (64mm) B = 8 1/4" (210mm)	

Introduction  
 Product selection guide  
 4010/4010T Series  
 4020/4020T Series  
 4030/4030T Series  
 4040XP/4040XPT Series  
 4050A/4050AT Series  
 4110/4110T Series  
 4000T Series

## Mounting details

### Parallel arm (push) side mounting

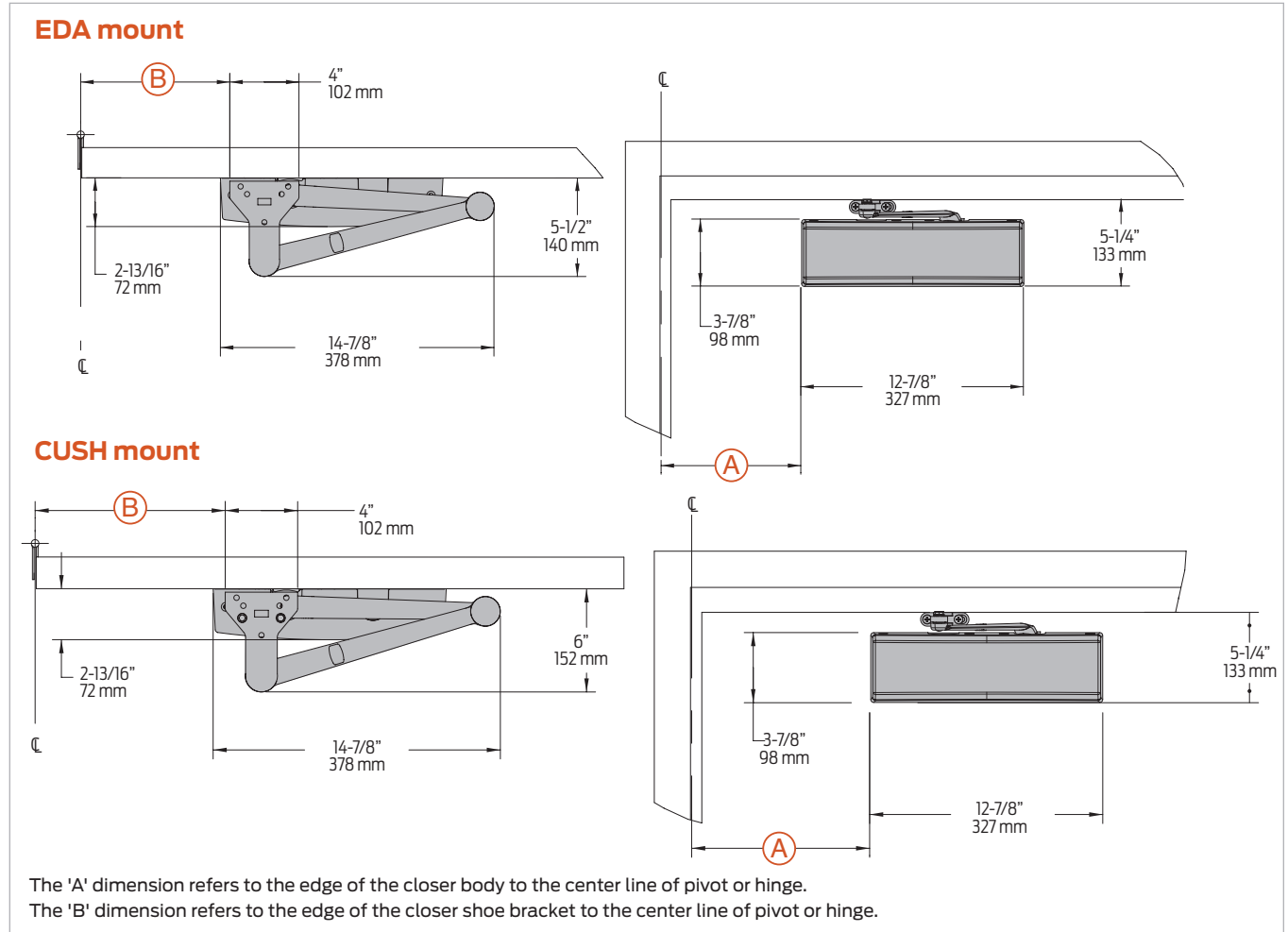


Butt hinges	Should not exceed 5" (127 mm) in width
Auxiliary stop	Recommended at hold open point, where the door cannot swing beyond templated maximum opening, or where Cush-n-Stop Arm is not used
Top rail	Less than 5 1/4" (133mm) measured from the stop requires plate, 4050A-18PA. Plate requires 2" (51mm) minimum from the stop.
Clearance	For 4050A-62PA shoe is 4" (102mm) from door face
Head frame	Flush or rabbeted requires PA shoe adapter, 4050A-419
Stop width	Minimum 1" (25mm)
Blade stop	Clearance requires 1/2" (13mm) blade stop spacer, 4050A-61
Delay action	Delays closing from 180°-70°. Delay time adjustable up to approximately 1 minute.
Auxiliary shoe	4050A-62A allows installation of Regular Arm with overhead holder/stop
Maximum opening	To 100°: A = 7 3/8" (187mm) B = 8 3/8" (213mm)
	100° to 130°: A = 6 3/8" (162mm) B = 7 3/8" (187mm)
	130° to 150°: A = 5 7/8" (149mm) B = 6 7/8" (175mm)
	150° to 180°: A = 4 7/8" (124mm) B = 5 7/8" (149mm)
Hold open points up to maximum opening with Hold Open Arm	

Note: Optional mounting requires PA shoe, 4050A-62PA for Regular or Hold Open Arms.

# Mounting details

## EDA and CUSH mounting



Clearance	4050A-62EDA is 5 1/2" (140mm) from door face. 6" (152mm) for CUSH	
Head frame	Flush or rabbeted requires flush panel adapter, 4050A-419	
CUSH Arm	Requires CUSH shoe support, 4050A-30 for fifth screw anchorage where reveal is less than 3 1/16" (78mm)	
Delay action	Delays closing from 180° to approximately 70°. Delay time adjustable up to approximately 1 minute.	
Maximum opening	EDA arm can be templated for points at: 100° CUSH arms can be templated for opening/hold open point at:	
	100°: A = 6 3/8" (162mm) B = 7 3/4" (197mm)	85°: A = 7 7/8" (200mm) B = 9 1/8" (232mm)
	100° to 130°: A = 4 7/8" (124mm) B = 6 1/4" (159mm)	90°: A = 7 1/8" (181mm) B = 8 1/2" (216mm)
	130° to 150°: A = 3 7/8" (98mm) B = 5 1/4" (133mm)	95°: A = 6 1/2" (165mm) B = 7 7/8" (200mm)
	150° to 180°: A = 2 7/8" (73mm) B = 4 1/4" (108mm)	100°: A = 6" (152mm) B = 7 1/4" (184mm)
	Hold open points up to maximum opening with HEDA arm	105°: A = 5 1/2" (140mm) B = 6 7/8" (175mm)
		110°: A = 5" (127mm) B = 6 3/8" (162mm)

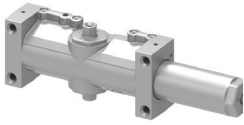
Notes:

- SCUSH dead stop points are approximately 5° more than templated stop point
- Hold open at templated stop points
- 4050A Series closers ordered with EDA or CUSH arms include 4050A-201 fifth hole spacer to support the shoe

Introduction  
Product selection guide  
4010/4010T Series  
4020/4020T Series  
4030/4030T Series  
4040XP/4040XPT Series  
4050A/4050AT Series  
4110/4110T Series  
4000T Series

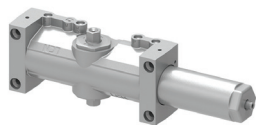
## Accessories

### Cylinders



**4050A-3071**  
Cast aluminum cylinder assembly (CYL)

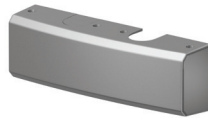
- Non-handed
- Heavy duty



**4050A-3071 DEL**  
Delay action cylinder (CYLDEL)

- Cylinder used for delayed action closing
- Non-handed
- Heavy duty

### Covers



**4050A-72**  
Plastic Cover (PC)

- Non-handed
- Standard



**4050A-72MC**  
Metal Cover (MC)

- Non-handed
- Required for plated finishes and custom powder coat finishes
- Optional

### Alternate cover



**4050A-72ALT**  
Alternate cover

- Non-handed
- Optional, sold separately (not packed with closer)

### Arms



**4050A-3077**  
Regular Arm (REGARM)

- Non-handed
- Mounts pull side or top jamb with shallow reveal
- Includes PA shoe, 4050A-62PA required for parallel arm mounting



**4050A-3077L**  
Long Arm (LONG)

- Non-handed
- Includes long rod and shoe, 4050A-79LR for top jamb mount
- Optional



**4050A-3049**  
Hold Open Arm (H)

- Non-handed
- Mounts pull side or top jamb with shallow reveal
- Hold open adjustable shoe
- 4050A closer includes 4050A-62PA shoe required for parallel arm mounting
- Optional



**4050A-3049L**  
Hold Open Long Arm (HLONG)

- Non-handed
- Hold open adjustable shoe
- Includes long head and tube, 4050A-3048L for top jamb mount
- Optional



**4050A-3077EDA**  
Extra Duty Arm (EDA)

- Non-handed
- Features forged, solid steel main and forearm for potentially abusive installations



**4050A-3049EDA**  
Hold Open Extra Duty Arm (HEDA)

- Handed
- Features forged, solid steel main and forearm for potentially abusive installations
- Hold open function is adjusted at the shoe



**4050A-3077EDA/62G**  
Extra Duty Arm with 62G Thick Hub Shoe (EDAW62G)

- Non-handed
- Features forged, solid steel main and forearm for potentially abusive installations
- 62G shoe provides additional blade stop clearance for use with additional door hardware such as an overhead holder



**4050A-3049EDA/62G**  
Hold Open Extra Duty Arm with 62G Thick Hub Shoe (HEDA62G)

- Handed
- Features forged, solid steel main and forearm for potentially abusive installations
- 62G shoe provides additional blade stop clearance for use with additional door hardware such as an overhead holder
- Hold open function is adjusted at the shoe

## Accessories

### Arms (cont.)



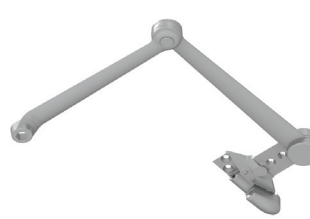
**4050A-3077CNS  
Cush-n-Stop Arm (CUSH)**

- Non-handed
- Features solid forged steel main arm and forearm with stop in soffit shoe
- Optional



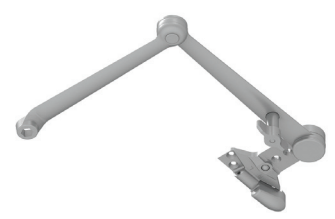
**4050A-3049CNS  
Hold Open Cush-n-Stop Arm (HCUSH)**

- Provides hold open function with templated stop/hold open points
- Handle controls hold open function



**4050A-3077SCNS  
Spring Cush-n-Stop Arm (SCUSH)**

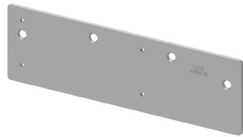
- Non-handed
- For potentially abusive applications features solid forged steel main arm and forearm with spring loaded stop in the soffit shoe
- Optional



**4050A-3049SCNS  
Spring Hold Open Cush-n-Stop Arm (SHCUSH)**

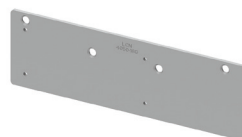
- Non-handed
- For potentially abusive applications features solid forged steel main arm and forearm with spring loaded stop in the soffit shoe
- Handle controls hold open function
- Optional

### Installation accessories



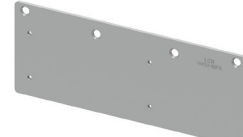
**4050A-18  
Plate**

- Required for hinge side mount where top rail is less than 3 7/8" (98 mm)
  - Requires minimum 1 3/4" (44 mm) top rail



**4050A-18G  
Plate**

- Locates top jamb mounted closer flush with top of head frame face in flush ceiling condition
- Contact LCN Product Support for minimum head frame requirement



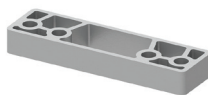
**4050A-18PA  
Plate**

- Required for parallel arm mounting where top rail is less than 5 3/4" (146 mm), measured from the stop
  - Requires 2 1/4" (57 mm) minimum top rail



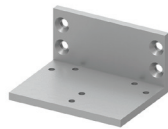
**4050A-30  
CUSH shoe support**

- Provides anchorage for fifth screw used with CUSH arms, where reveal is less than 3 1/16" (78 mm)



**4050A-61  
Blade stop spacer**

- Required to lower parallel arm shoe to clear 1/2" (13 mm) blade stop



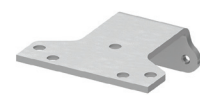
**4050A-419  
Flush panel adapter**

- Provides horizontal mounting surface for parallel arm shoe on single rabbeted or flush frame



**4050A-62A  
Auxiliary shoe**

- Requires a top rail of 7 13/16" (198 mm)
- Replaces -62PA for parallel arm mounting of regular arm with overhead holder/stop
- Optional



**4050A-62PA  
PA shoe**

- Required for parallel arm mounting

Introduction  
Product selection guide  
4010/4010T Series  
4020/4020T Series  
4030/4030T Series  
4040XP/4040XPT Series  
4050A/4050AT Series  
4110/4110T Series  
4000T Series



## Ordering information

### How-to-order 4050A Series closers

#### 1. Select finish

- Standard powder coat \_\_\_\_\_  
Matte Black (622), Aluminum (689), Dark Bronze (695), Statuary Bronze (690), Light Bronze (691), Black (693), or Brass (696).

#### Closer options

##### Cylinder

- Delay Action Cylinder (CYLDEL)

##### Cover

- Metal Cover (MC)
- Alternate Cover (ALT)

##### Finish

- Custom powder coat (RAL) \_\_\_\_\_  
(handed metal cover required)
- SRI primer  
(use with powder coat finishes only)

##### Arm

- Regular Arm (REGARM)
- Long Arm (LONG)
- Hold Open Arm (H)
- Hold Open with Parallel Arm Bracket (HWPA)
- Hold Open Long Arm (HLONG)
- Extra Duty Arm (EDA)
- Extra Duty Arm with 62G Thick Hub Shoe (EDAW62G)

- Hold Open Extra Duty Arm (HEDA)
- Hold Open Extra Duty Arm with 62G Thick Hub Shoe (HEDA62G)
- Cush-n-Stop Arm (CUSH)
- Hold Open Cush-n-Stop Arm (HCUSH)
- Spring Cush-n-Stop Arm (SCUSH)
- Spring Hold Open Cush-n-Stop Arm (SHCUSH)

##### Optional screw packs

- Through Bolt<sup>1</sup> Self Reaming and Tapping Screws (TBSRT)
- Wood and Machine Screws (WMS)
- Through Bolt<sup>1</sup> Wood and Machine Screws (TBWMS)
- Torx Machine Screws (TORX)
- Through Bolt<sup>1</sup> and Torx Machine Screws (TBTRX)

##### Installation accessories

- Plate, 4050A-18
- Plate, 4050A-18G
- Plate, 4050A-18PA
- CUSH shoe support, 4050A-30
- Blade stop spacer, 4050A-61
- Auxiliary shoe, 4050A-62A
- Flush panel adapter, 4050A-419

##### Special template

- ST- \_\_\_\_\_

1. Specify door thickness if other than 1 3/4".

### Table of sizes

- 4050A cylinders are adjustable from size 1 through size 6 and is shipped set to size 3
- Closing power of 4050A Series closers may be adjusted 50%

#### Exterior (and vestibule) door width



#### Interior door width



➔ Indicates recommended range of door width for closer size.  
\* Adjustable Size 1 thru 5.

### Reduced opening force 4050A Series closers

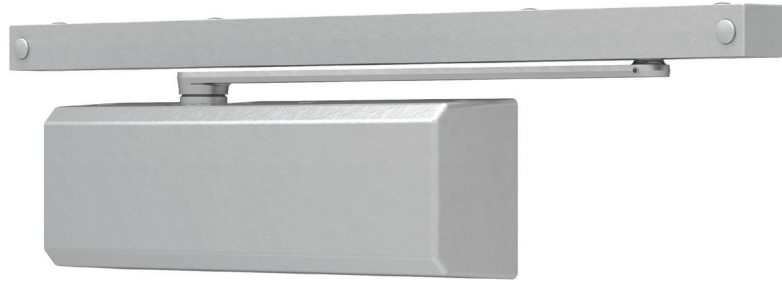
**CAUTION!** Any manual door closer, including those certified by BHMA to conform to ANSI Standard A156.4, that is selected, installed and adjusted based on ADA or other reduced opening force requirements may not provide sufficient power to reliably close and latch a door.

Refer to Automatic Operators catalog for information on systems that meet reduced opening force requirements without effecting closing power.

Door width	36"	42"	48"
8.5* lbs.	4050A	4050A	4050A
5.0* lbs.	4050A	4050A	4050A

\* Maximum opening force.

# 4050AT Series



The 4050AT cast aluminum heavy duty track closer is designed for rugged high frequency traffic areas. Ideal for commercial building applications and competitive specification situations that demand a combination of quality, reliability and value.

## Features

<b>Certifications</b>	Grade 1 - ANSI A156.4, UL 10C, ADA, 100 hour salt spray, meets BAA - Buy American Act	<b>Cover</b>	<ul style="list-style-type: none"> <li>Plastic Cover (PC), standard</li> <li>Metal Cover (MC), optional</li> </ul>
<b>Body construction</b>	<ul style="list-style-type: none"> <li>Cast aluminum body</li> <li>Full complement bearing</li> <li>1 1/2" diameter piston</li> <li>3/8" diameter double heat treated pinion journal</li> </ul>	<b>Fasteners</b>	Self Reaming and Tapping Screws (SRT)
<b>Fluid</b>	All weather fluid	<b>Mounting</b>	Pull side on door, pull side top jamb, push side on door
<b>Handing</b>	Non-handed	<b>Arms</b>	Standard arm and track with roller
<b>Size</b>	Adjustable spring size 1-4	<b>Finishes/colors/ powder coat</b>	<ul style="list-style-type: none"> <li>622 Matte black</li> <li>689 Aluminum</li> <li>690 Statuary bronze</li> <li>691 Light bronze</li> <li>693 Black</li> <li>695 Dark bronze</li> <li>696 Brass</li> <li>Custom colors optional</li> </ul>
<b>Warranty</b>	25 years		<ul style="list-style-type: none"> <li>Optional SRI primer - powder coat only</li> </ul>

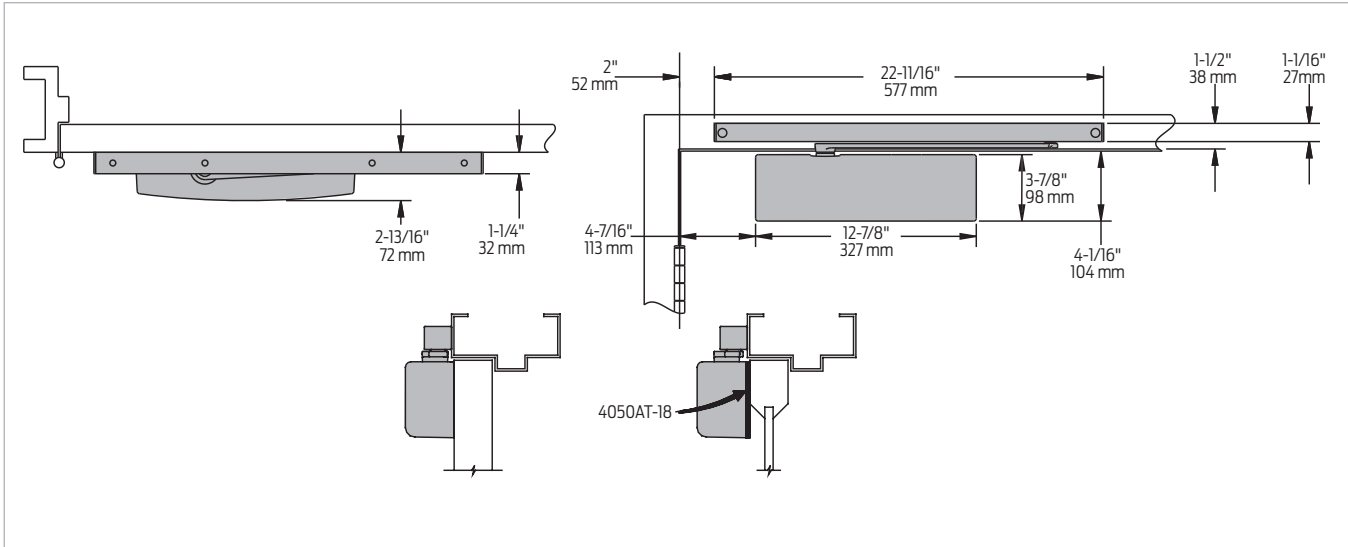
**Special templates** | Customized installation templates or products may be available to solve non-standard applications. Contact LCN Product Support for assistance.

Mounting	Finish	Cover	Cylinder	Arm function*
<ul style="list-style-type: none"> <li>Hinge (pull) side</li> <li>Top jamb (pull)</li> <li>Top jamb (push)</li> <li>Parallel arm</li> <li>Stop face</li> </ul>	<ul style="list-style-type: none"> <li>Powder coat</li> <li>Plated</li> <li>Plastic</li> <li>Metal</li> </ul>	<ul style="list-style-type: none"> <li>Non-handed</li> <li>Non-sized</li> <li>Accessibility</li> <li>Delay Action***</li> <li>CYLAVB**</li> </ul>	<ul style="list-style-type: none"> <li>Regular (double)</li> <li>Standard (single)</li> <li>Hold Open</li> <li>Fusible Link</li> <li>EDA/HEDA</li> <li>CUSH/HCUSH</li> <li>SCUSH/SHCUSH</li> <li>Double Egress</li> </ul>	<ul style="list-style-type: none"> <li>180°</li> <li>180°</li> <li>95°</li> </ul>
<ul style="list-style-type: none"> <li>Available</li> <li>Not available</li> </ul>	<ul style="list-style-type: none"> <li>♿ Closer available with less than 5.0 lbs. opening force on 36" door.</li> <li>* Maximum opening/hold open point with standard template.</li> <li>** Advanced Variable Back Check.</li> <li>*** Delay feature incorporates standard 4040 cylinder (not XP).</li> </ul>			

Introduction  
Product selection guide  
4010/4010T Series  
4020/4020T Series  
4030/4030T Series  
4040XP/4040XPT Series  
4050A/4050AT Series  
4110/4110T Series  
4000T Series

## Mounting details

### Hinge (pull) side mounting

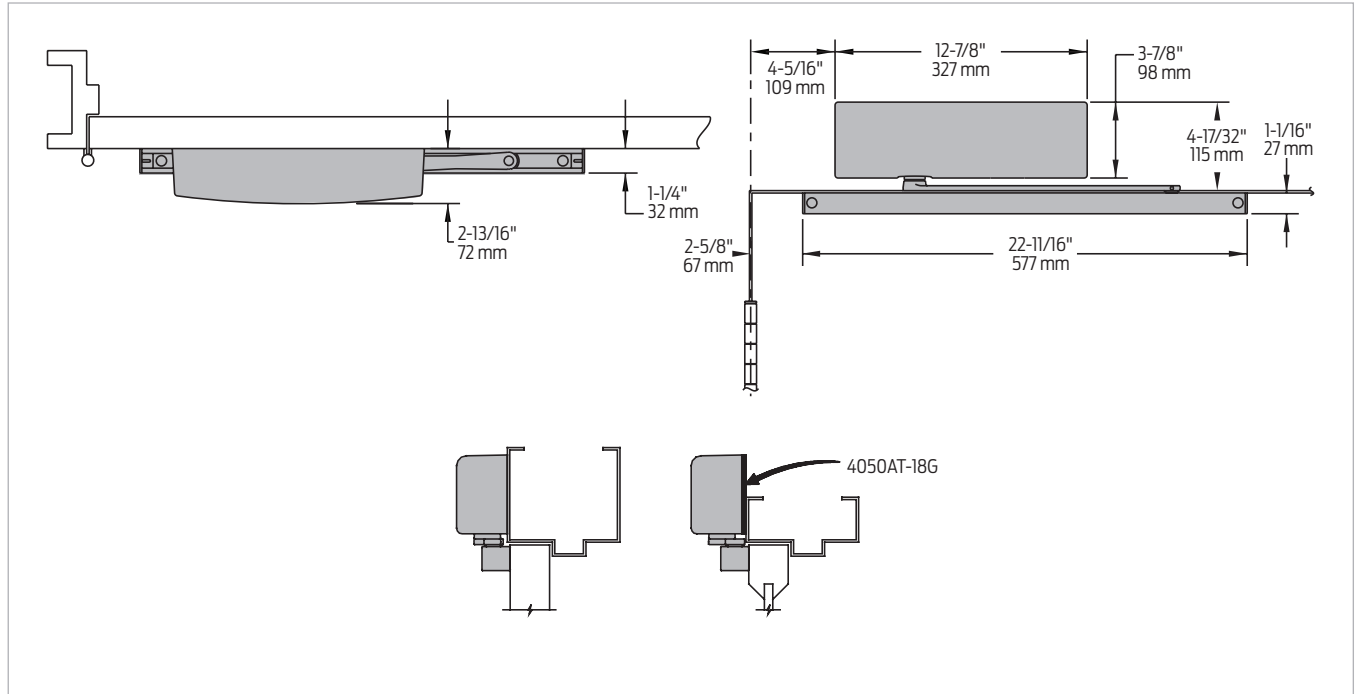


Butt hinges	Should not exceed 5" (127 mm) in width
Auxiliary stop	<ul style="list-style-type: none"> <li>Recommended at hold open point or where a door cannot swing 180°</li> <li>Optional track bumper assembly assists back check in cushioning the opening swing of the door</li> <li>It is not intended to replace an auxiliary stop</li> </ul>
Reveal	Should not exceed 1/8" (3 mm) for standard arm
Top rail	Less than 4 1/8" (104 mm) requires plate, 4050AT-18. Plate requires 2 1/16" (52mm) minimum.
Head frame	Requires 1 1/4" (32 mm) minimum
Clearance	2 13/16" (52 mm) behind door required for 90° installation
Maximum opening	Templating allows 180°

Note: Consult factory for applications where door must swing 180°.

## Mounting details

### Top jamb (pull) side mounting

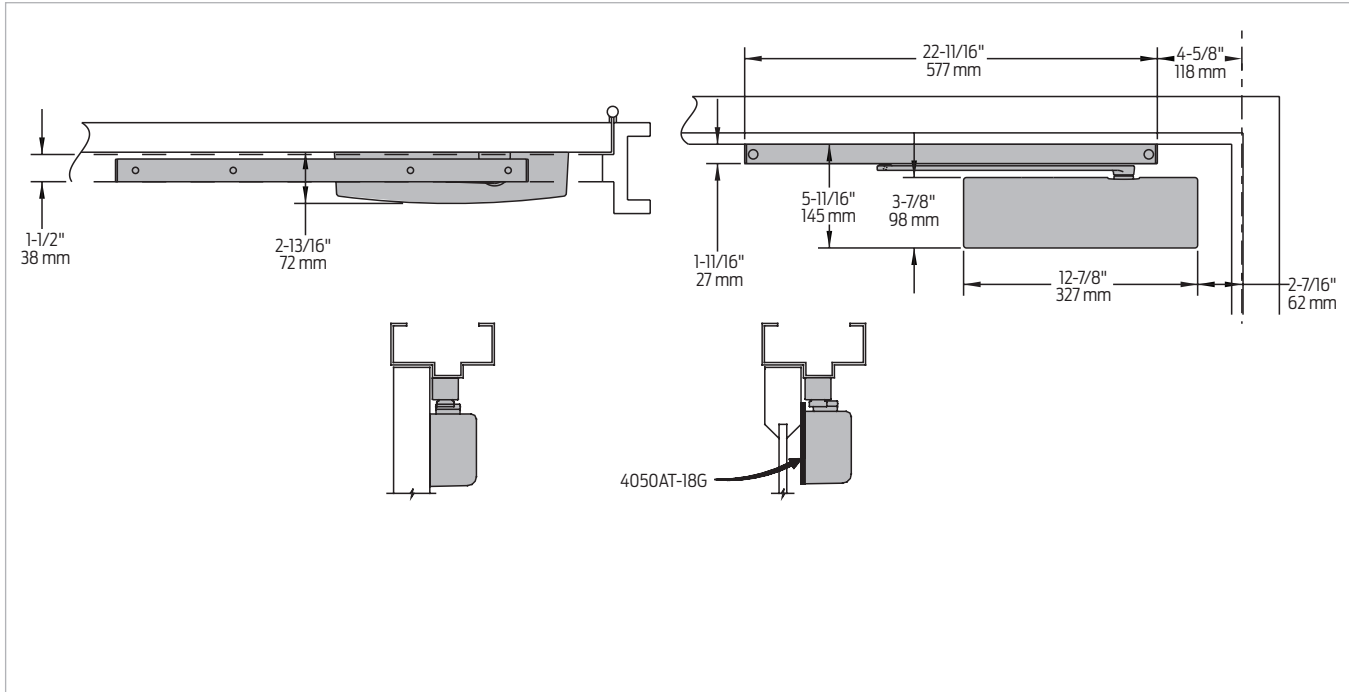


Butt hinges	Should not exceed 5" (127 mm) in width
Auxiliary stop	<ul style="list-style-type: none"> <li>Recommended at hold open point or where a door cannot swing 180°</li> <li>Optional track bumper assembly assists back check in cushioning the opening swing of the door</li> <li>It is not intended to replace an auxiliary stop</li> </ul>
Reveal	Should not exceed 1/8" (3 mm)
Head frame	Less than 4 1/2" (114 mm), requires plate, 4050AT-18G. Plate requires 2 1/16" (52 mm) minimum.
Clearance	1 1/4" (32 mm) behind door required for 180° installation
Maximum opening	Templating allows 180°

Note: Consult factory for applications where an exterior or large/heavy door must swing 180°.

## Mounting details

### Stop face (push) side mounting

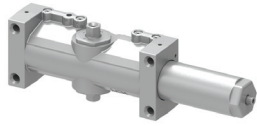


Butt hinges	Should not exceed 5" (127 mm) in width
Auxiliary stop	<ul style="list-style-type: none"> <li>Recommended at hold open point or where a door cannot swing 120°</li> <li>Optional track bumper assembly assists back check in cushioning the opening swing of the door</li> <li>It is not intended to replace an auxiliary stop</li> </ul>
Clearance	Projects 2 9/16" (65 mm) from face of door
Top rail	<ul style="list-style-type: none"> <li>Less than 5 11/16" (144 mm) measured from the stop, requires plate, 4050AT-18G</li> <li>Plate requires 3 5/16" (84 mm) minimum</li> </ul>
Stop width	Minimum 1 1/4" (32 mm)
Maximum opening	Templating allows 120°

Note: Consult factory for applications where door must swing 180°.

## Accessories

### Cylinders



- 4050AT-3071**  
**Cast aluminum cylinder assembly (CYL)**
- Non-handed
  - Standard

### Covers

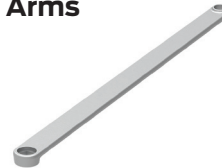


- 4050AT-72**  
**Plastic Cover (PC)**
- Non-handed
  - Standard



- 4050AT-72MC**  
**Metal Cover (MC)**
- Non-handed
  - Required for plated finishes and custom powder coat finishes
  - Optional

### Arms



- 4050AT-3077T**  
**Standard Arm (STDTRKARM)**
- Non-handed
  - Arm does not include track roller



- 4050AT-3077DE**  
**Double Egress Arm (DE)**
- Handed
  - For double egress doors and frames
  - Does not include track roller
  - Maximum reveal is 3" (76 mm)
  - Optional

### Tracks



- 4050AT-3038**  
**Standard Track (STDTRK)**
- Non-handed
  - Non hold open
  - Will accept hold open clip and/or bumper assembly
  - Standard



- 4050AT-3038B**  
**Track with Bumper (BUMP)**
- Non-handed
  - Non hold open
  - Will accept hold open clip
  - Optional

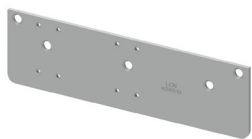


- 4050AT-3038H**  
**Hold Open Track (H)**
- Non-handed
  - With hold open clip installed
  - Will accept bumper assembly
  - Optional



- 4050AT-3038HB**  
**Hold Open Track with Bumper (HBMP)**
- Non-handed
  - With hold open clip and bumper assembly installed
  - Optional

### Installation accessories



- 4050AT-18**  
**Plate**
- Required for pull side (door mount) installations where top rail is less than 4 1/8"
    - Requires minimum 2 1/16" top rail



- 4050AT-18G**  
**Plate**
- Required for pull side top jamb installations where head frame is less than 4 1/2"
    - Requires minimum 2 1/16" head frame
  - Required for push side (door mount) installations where top rail is less than 5 11/16" measured from the stop
    - Requires minimum 3 5/16" top rail



- 4050AT-169**  
**Track bumper**
- Mounts in track to assist back check, does not replace auxiliary stop
  - Limits maximum opening; consists of bumper, bumper post and mounting screw



- 4050AT-3054**  
**Hold open clip**
- Mounts in track to provide hold open function
  - Hold open point controlled by clip location
  - Consists of clip and mounting screws
  - Requires 4050AT-3034H hold open track roller



- 4050AT-3034**  
**Track roller**
- Quiet, low friction roller assembly
  - Shoulder dimension "X" = 1/8" (3mm)



- 4050AT-3034H**  
**Hold open track roller**
- Quiet, low friction roller assembly
  - Shoulder dimension "X" = 1/8" (3mm)



- 4050AT-480**  
**Pinion extender**
- Connects pinion to arm

Introduction  
Product selection guide  
4010/4010T Series  
4020/4020T Series  
4030/4030T Series  
4040XP/4040XPT Series  
4050A/4050AT Series  
4110/4110T Series  
4000T Series

## Ordering information

### How-to-order 4050AT Series closers

#### 1. Select finish

- Standard powder coat \_\_\_\_\_  
Matte Black (622), Aluminum (689), Dark Bronze (695), Statuary Bronze (690), Light Bronze (691), Black (693), or Brass (696)

#### Closer options

##### Cover

- Metal Cover (MC)

##### Finish

- Custom powder coat (RAL) \_\_\_\_\_  
(handed metal cover required)
- SRI primer (use with powder coat finishes only)

##### Track

- Track with Bumper (BUMP)
- Hold Open Track (H)
- Hold Open Track with Bumper (HBMP)

#### Closer will be shipped with:

- Standard cylinder
- Standard cover
- Standard arm
- Track roller
- Standard track
- Self reaming and tapping screws  
(unless options listed below are selected)

#### Screw pack

- Through Bolt<sup>1</sup> and Torx Machine Screws (TBSRT)
- Wood and Machine Screws (WMS)
- Through Bolt<sup>1</sup> Wood and Machine Screws (TBWMS)
- TORX machine screws (TORX)
- Through Bolt<sup>1</sup> and Torx Machine Screws (TBTRX)

#### Installation accessories

- Plate, 4050AT-18
- Plate, 4050AT-18G

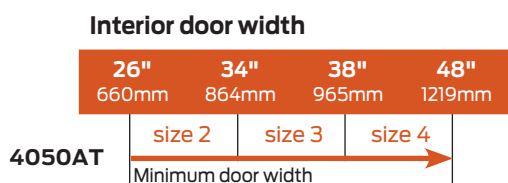
#### Special template

- ST- \_\_\_\_\_

1. Specify door thickness if other than 1 3/4".

### Table of sizes

- Non-sized 4050AT Series cylinder is adjustable from sizes 1 through 4 and is shipped set to size 3



→ Indicates recommended range of door width for closer size.

#### Reduced opening force 4050AT Series closers

**CAUTION!** Any manual door closer, including those certified by BHMA to conform to ANSI Standard A156.4, that is selected, installed and adjusted based on ADA or other reduced opening force requirements may not provide sufficient power to reliably close and latch a door.

Refer to Automatic Operators catalog for information on systems that meet reduced opening force requirements without effecting closing power.

	Door width 36"	42"	48"
8.5* lbs.	N/A	N/A	N/A
5.0* lbs.	4050AT	4050AT	4050AT

\* Maximum opening force.

# 4110 Series



The 4110 is LCN's best performing heavy duty closer with an adjustable spring and possible hold open point beyond 140 degrees, meeting ADA requirements. Backed by a 30 year warranty, the cast iron body and all weather fluid offer versatility in high traffic applications.

## Features

<b>Certifications</b>	Grade 1 - ANSI A156.4, UL 10C, ADA, 100 hour salt spray, meets BAA - Buy American Act	<b>Cover</b>	<ul style="list-style-type: none"> <li>Plastic Cover (PC), standard</li> <li>Metal Cover (MC), optional</li> </ul>
<b>Body construction</b>	<ul style="list-style-type: none"> <li>Cast iron body</li> <li>Full complement bearing</li> <li>1 1/2" diameter piston</li> <li>1/16" diameter double heat treated pinion journal</li> </ul>	<b>Fasteners</b>	Self Reaming and Tapping Screws (SRT)
<b>Fluid</b>	All weather fluid	<b>Mounting</b>	Parallel arm (push side)
<b>Handing</b>	Handed	<b>Arms</b>	Extra-duty arm
<b>Templating</b>	Peel-n-Stick templates - 2 1/2" x 6" mounting hole pattern	<b>Finishes/colors/ powder coat</b>	<ul style="list-style-type: none"> <li>622 Matte black</li> <li>689 Aluminum</li> <li>690 Statuary bronze</li> <li>691 Light bronze</li> <li>693 Black</li> <li>695 Dark bronze</li> <li>696 Brass</li> <li>Custom colors optional</li> </ul>
<b>Size</b>	Adjustable spring size 1-5, or sized 6, includes LCN Green Dial		<ul style="list-style-type: none"> <li>Optional SRI primer - powder coat only</li> <li>Optional plated finishes</li> </ul>
<b>Warranty</b>	30 years		

### Special templates

Customized installation templates or products may be available to solve non-standard applications. Contact LCN Product Support for assistance.

Mounting	Finish	Cover	Cylinder	Arm function*
Hinge (pull) side	Plastic	Non-handed	Regular (double)	180°
Top jamb (pull)	Metal	Non-sized	Standard (single)	180°
Top jamb (push)	Powder coat	Accessibility	Hold Open	110°
Parallel arm	Plated	Delay Action**	Fusible Link	110°
Stop face		CYLAVB**	EDAH/HCUSH	
			SCUSH/SHCUSH	
			Double Egress	

■ Available     ■ Not available     Closer available with less than 5.0 lbs. opening force on 36" door.

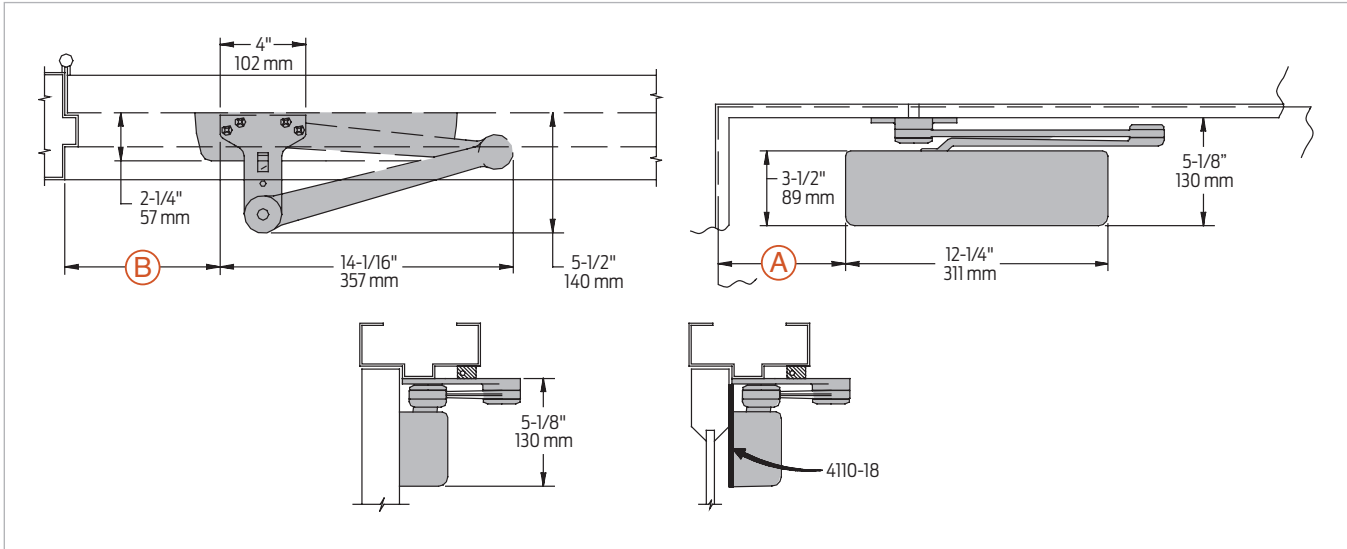
\* Maximum opening/hold open point with standard template.  
 \*\* Advanced Variable Back Check.  
 \*\*\* Delay feature incorporates standard 4040 cylinder (not XP).

Introduction  
 Product selection guide  
 4010/4010T Series  
 4020/4020T Series  
 4030/4030T Series  
 4040XP/4040XPT Series  
 4050A/4050AT Series  
 4110/4110T Series  
 4000T Series



## Mounting details

### Parallel arm (push) side mounting



Butt hinges	Should not exceed 5" (127 mm) in width	
Auxiliary stop	Recommended at hold open point, where a door cannot swing 180°, or where Cush-n-Stop Arm is not used	
Clearance	EDA, or CUSH shoe is 5 1/2" (140 mm) from door face	
Top rail	<ul style="list-style-type: none"> <li>Less than 5 1/8" (130 mm) measured from stop requires plate, 4110-18</li> <li>Plate requires 2" (51 mm) minimum measured from the stop</li> </ul>	
Stop width	Minimum 1" (25 mm)	
Head frame	Flush or rabbeted requires CUSH flush panel adapter, 4110-419	
Reveal	Less than 2 3/4" (70 mm), use CUSH shoe support, 4110-30 with CUSH arms	
Blade stop spacer	4110-61 required to clear 1/2" (13 mm) blade stop	
Cush arm	Requires CUSH shoe support, 4110-30 for fifth screw anchorage where reveal is less than 3 1/16" (78 mm)	
Delay action	<ul style="list-style-type: none"> <li>Add suffix "CYLDEL" to selected cylinder</li> <li>Not available with 4116 cylinder; delays closing from maximum opening to approximately 70°</li> <li>Delay time adjustable up to approximately 1 minute</li> </ul>	
Advanced Variable Back Check	<ul style="list-style-type: none"> <li>Cylinder starts back check at approximately 45° instead of the normal 75°</li> <li>Add suffix "CYLAVB" to selected cylinder</li> </ul>	
Maximum opening	EDA or Fusible Link Arm can be templated for:	CUSH Arm can be templated for maximum opening at:
	100° A = 5 15/16" (151 mm) B = 7 1/4" (184 mm)	85° A = 8 5/16" (211 mm) B = 9 5/8" (244 mm)
	140° A = 4 7/16" (113 mm) B = 5 3/4" (146 mm)	90° A = 7 11/16" (195 mm) B = 9" (229 mm)
	or 180° A = 2 15/16" (75 mm) B = 2 15/16" (75 mm)	or 110° A = 5 9/16" (141 mm) B = 6 7/8" (175 mm)
	<ul style="list-style-type: none"> <li>Hold open points up to maximum opening with HEDA or Fusible Link Arm</li> </ul>	<ul style="list-style-type: none"> <li>Hold open point at maximum opening with HCUSH Arm</li> <li>SCUSH hold open points are approximately 5° less than templated stop point</li> </ul>

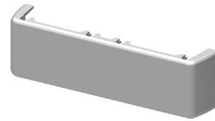
## Accessories

### Cylinders

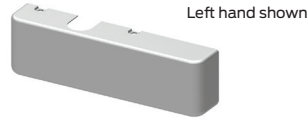


- 4111(6)-3071**  
**Cast iron cylinder assembly (CYL)**
- Handed
  - Standard

### Covers



- 4110-72**  
**Plastic Cover (PC)**
- Non-handed
  - Standard



- 4110-72MC**  
**Metal Cover (MC)**
- Handed
  - Required for plated finishes and custom powder coat finishes
  - Optional

### Arms



- 4110-3049EDA**  
**Hold Open Arm (H)**
- Handed
  - Optional
  - Provides hold open function, adjustable at shoe



- 4110-3049FL**  
**Fusible Link Arm (FL)**
- Handed
  - Releases hold-open function adjustable at shoe when exposed to temperatures above 165° F
  - Optional

Note: Check local codes before specifying FL arms.  
 NOT A life safety product!



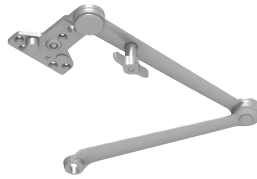
- 4110-3077CNS**  
**Cush-n-Stop Arm (CUSH)**
- Non-handed
  - Features solid forged steel main arm and forearm with built-in stop in soffit shoe



- 4110-3077EDA**  
**Extra Duty Arm (EDA)**
- Non-handed
  - Features forged, solid steel main and forearm for potentially abusive installations



- 4110-3077EDA/62G**  
**Extra Duty Arm (EDA)**
- Non-handed
  - Features forged, solid steel main and forearm for potentially abusive installations
  - Optional 4110-62G thick hub shoe for blade stop clearance



- 4110-3049CNS**  
**Hold Open Cush-n-Stop Arm (HCUSH)**
- Non-handed
  - Provides hold open function with templated stop/hold open points
  - Handle controls hold open function



- 4110-3077SCNS**  
**Spring Cush-n-Stop Arm (SCUSH)**
- Non-handed
  - For abusive applications features solid forged steel main arm and forearm with spring loaded stop in the soffit shoe
  - Optional



- 4110-3049SCNS**  
**Spring Hold open Cush-n-Stop Arm (SHCUSH)**
- Non-handed
  - For abusive applications features solid forged steel main arm and forearm with spring loaded stop in the soffit shoe
  - Handle controls hold open function
  - Optional

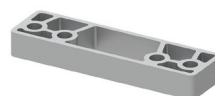
### Installation accessories



- 4110-18**  
**Plate**
- Required for push side mount where top rail is less than 5 1/8" (130 mm), measured from the stop
  - Requires minimum 2" (51 mm) minimum top rail



- 4110-30**  
**CUSH shoe support**
- Provides anchorage for fifth screw used with CUSH arm, where reveal is less than 3 1/16" (78 mm)



- 4110-61**  
**Blade stop spacer**
- Lowers parallel arm shoe to clear 1/2" (13 mm) blade stop



- 4110-419**  
**PA flush panel adapter**
- Provides horizontal mounting surface for CUSH shoe on single rabbeted or flush frame

## Ordering information

### How-to-order 4110 Series closers

**1. Select cylinder size**

- 4111 (adjustable from size 1 to 5)
- 4116 (CYLDEL, SHCUSH or HCUSH arm not available)

**2. Specify hand**

- Right Hand (RH)
- Left Hand (LH)

**3. Select finish**

- Standard powder coat \_\_\_\_\_
- Matte Black (622), Aluminum (689), Dark Bronze (695), Statuary Bronze (690), Light Bronze (691), Black (693), or Brass (696)

**Closer will be shipped with:**

- Standard cylinder
- Standard cover
- Extra duty arm
- Self reaming and tapping screws (unless options listed below are selected)

### Closer options

**Cylinder**

- Delay Action Cylinder (CYLDEL) (not available with 4116)
- Advanced Variable Back Check (CYLAVB)

**Cover**

- Metal Cover (MC)

**Finish**

- Custom powder coat (RAL) \_\_\_\_\_ (handed metal cover required)
- Plated finish, US \_\_\_\_\_ (handed metal cover required)
- SRI primer (use with powder coat finishes only)

**Arm**

- Extra Duty Arm (EDA)

- Extra Duty Arm with 62G Thick Hub Shoe (EDAW62G)
- Hold Open Extra Duty Arm (HEDA)
- Fusible Link Arm (FL)
- Cush-n-Stop Arm (CUSH)
- Hold Open Cush-n-Stop Arm (HCUSH)(N/A with 4116 cylinder)
- Spring Cush-n-Stop Arm (SCUSH)
- Spring Hold Open Cush-n-Stop Arm (SHCUSH) (N/A with 4116 cylinder)

**Optional screw packs**

- Through Bolt<sup>1</sup> Self Reaming and Tapping Screws (TBSRT)

- Wood and machine screws (WMS)
- Through Bolt<sup>1</sup> Wood and Machine Screws (TBWMS)
- Torx Machine Screws (TORX)
- Through Bolt<sup>1</sup> and Torx Machine Screws (TBTRX)

**Installation accessories**

- Plate, 4110-18
- CUSH shoe support, 4110-30
- Blade stop spacer, 4110-61
- PA flush panel adapter, 4110-419

**Special template**

- ST- \_\_\_\_\_

1. Specify door thickness if other than 1 3/4".

### Table of sizes

- Select closer based on width of door
- The spring power of non-sized 4111 cylinder is adjustable from size 1 through size 5 and is shipped set to size 3
- Sized 4116 series cylinders 6
- Delay action not available with 4116 cylinder
- HCUSH and SHCUSH arm not available with 4116 cylinder

**Exterior (and vestibule) door width**



**Interior door width**




→ Indicates recommended range of door width for closer size.  
\* Adjustable Size 1 thru 5.

**Reduced opening force 4110 Series closers**

**CAUTION!** Any manual door closer, including those certified by BHMA to conform to ANSI Standard A156.4, that is selected, installed and adjusted based on ADA or other reduced opening force requirements may not provide sufficient power to reliably close and latch a door.

Refer to Automatic Operators catalog for information on systems that meet reduced opening force requirements without effecting closing power.

	Door width	36"	42"	48"
	8.5* lbs.	4111	4111	4111
	5.0* lbs.	4111	4111	4111

\* Maximum opening force.

# 4110T Series



The 4110T is a Grade 1 push side, mounting track closer designed for interior high traffic applications. It features an optional track bumper assembly for additional cushioning in the opening swing of the door.

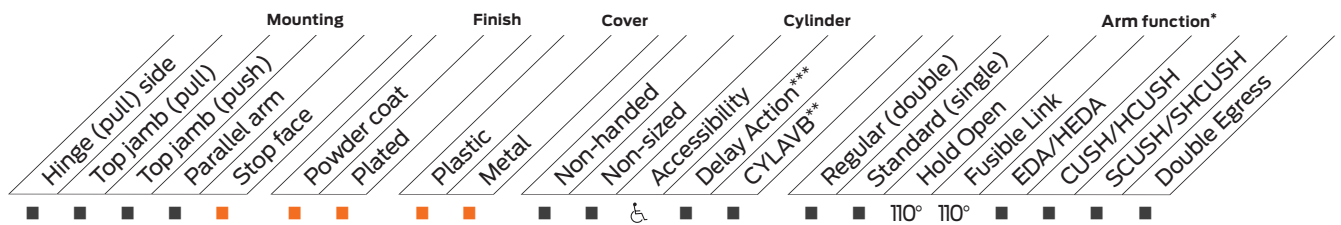
## Features

<b>Certifications</b>	Grade 1 - ANSI A156.4, UL 10C, ADA, 100 hour salt spray, meets BAA - Buy American Act
<b>Body construction</b>	<ul style="list-style-type: none"> <li>Cast iron body</li> <li>Full complement bearing</li> <li>1 1/2" diameter piston</li> <li>11/16" diameter double heat treated pinion journal</li> </ul>
<b>Fluid</b>	All weather fluid
<b>Handing</b>	Handed
<b>Size</b>	Sized 1, 3, or 4
<b>Warranty</b>	30 years

<b>Cover</b>	<ul style="list-style-type: none"> <li>Plastic Cover (PC), standard</li> <li>Metal Cover (MC), optional</li> </ul>
<b>Fasteners</b>	Self reaming and tapping screws (SRT)
<b>Mounting</b>	Stop face (push side)
<b>Arms</b>	Standard arm and track with roller
<b>Finishes/colors/ powder coat</b>	<ul style="list-style-type: none"> <li>622 Matte black</li> <li>689 Aluminum</li> <li>690 Statuary bronze</li> <li>691 Light bronze</li> <li>693 Black</li> <li>695 Dark bronze</li> <li>696 Brass</li> <li>Custom colors optional</li> </ul>
	<ul style="list-style-type: none"> <li>Optional SRI primer - powder coat only</li> <li>Optional plated finishes</li> </ul>

### Special templates

Customized installation templates or products may be available to solve non-standard applications. Contact LCN Product Support for assistance.



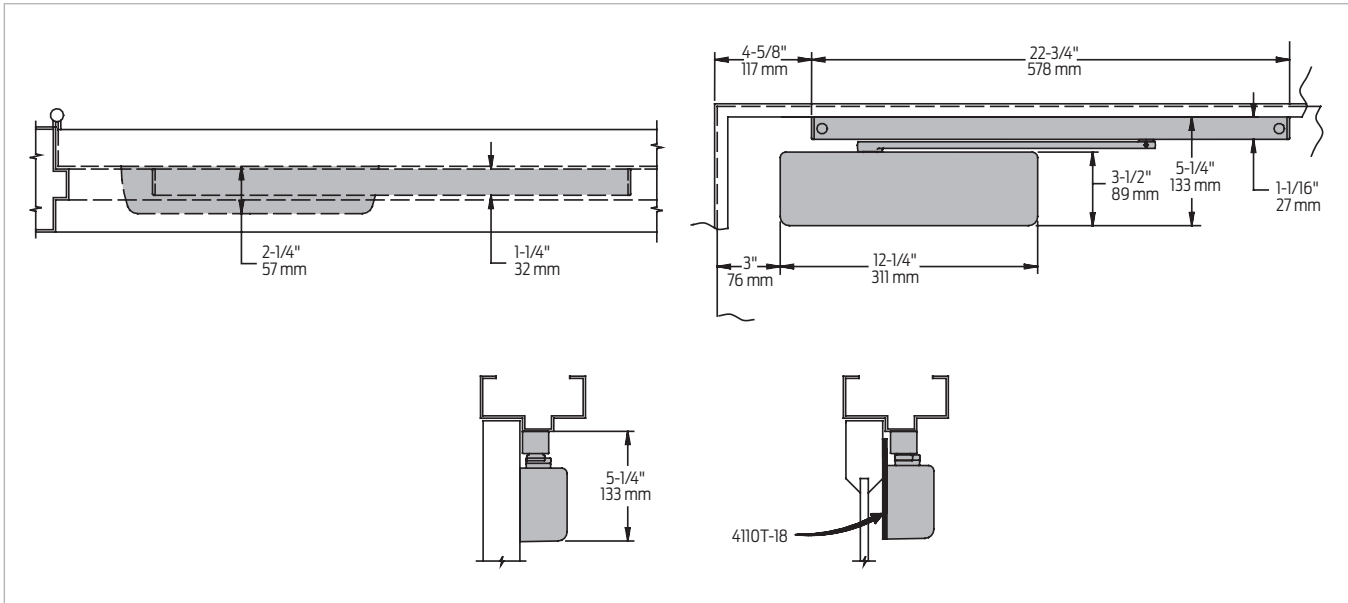
- Available
- Not available

Closer available with less than 5.0 lbs. opening force on 36" door.  
 \* Maximum opening/hold open point with standard template.  
 \*\* Advanced Variable Back Check.  
 \*\*\* Delay feature incorporates standard 4040 cylinder (not XP).

Introduction  
 Product selection guide  
 4010/4010T Series  
 4020/4020T Series  
 4030/4030T Series  
 4040XP/4040XPT Series  
 4050A/4050AT Series  
 4110/4110T Series  
 4000T Series

## Mounting details

### Stop face (push) side mounting

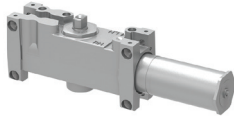


Butt hinges	Should not exceed 5" (127 mm) in width
Auxiliary stop	<ul style="list-style-type: none"> <li>Recommended at hold open point or where a door cannot swing 110°</li> <li>Optional track bumper assembly assists back check in cushioning the opening swing of the door</li> <li>It is not intended to replace an auxiliary stop</li> </ul>
Clearance	Projects 2 1/4" (57 mm) from face of door
Top rail	<ul style="list-style-type: none"> <li>Less than 5 1/4" (133 mm) measured from the stop, requires plate, 4110T-18</li> <li>Plate requires 2 1/4" (57 mm) minimum</li> </ul>
Stop width	Minimum 1 1/4" (32 mm)
Maximum opening	<ul style="list-style-type: none"> <li>Templating allows 110° with standard track arm, limited to 100° with optional bumper tracks</li> <li>Variable hold open angles with many options</li> </ul>

Note: Consult factory for applications where door must swing 180°.

## Accessories

### Cylinders

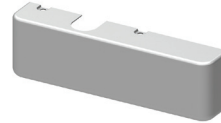


- 4111(3,4)T-3071  
Cast iron cylinder assembly (CYL)**
- Handed
  - Standard

### Covers



- 4110T-72  
Plastic Cover (PC)**
- Non-handed
  - Standard



- 4110T-72MC  
Metal Cover (MC)**
- Handed
  - Required for plated finishes and custom powder coat finishes
  - Optional

### Arms



- 4110T-3077T  
Standard Arm (STDTRKARM)**
- Handed
  - Roller not included with arm

### Tracks



- 4110T-3038  
Standard Track (STDTRK)**
- Non-handed
  - Non hold open
  - Will accept hold open clip and/or bumper assembly
  - Standard



- 4110T-3038B  
Track with Bumper (BUMP)**
- Non-handed
  - Non hold-open
  - With bumper assembly installed
  - Will accept hold-open clip
  - Optional



- 4110T-3038H  
Hold Open Track (H)**
- Non-handed
  - With hold open clip installed
  - Will accept bumper assembly
  - Optional



- 4110T-3038HB  
Hold Open Track with Bumper (HBMP)**
- Non-handed
  - With hold open clip and bumper assembly installed
  - Optional

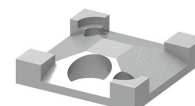
### Installation accessories



- 4110T-18  
Plate**
- Required where top rail, when measured from the stop, is less than 5 1/4" (133 mm)
  - Requires minimum 2 1/4" (57 mm) minimum top rail



- 4110T-169  
Track bumper**
- Mounts in track to assist back check, not replace auxiliary stop
  - Limits maximum opening; consists of bumper, bumper post, and mounting screw



- 4110T-3054  
Hold-open clip**
- Mounts in track to provide hold open function
  - Hold open point controlled by clip location
  - Consists of clip and mounting screws
  - Requires 4110T-3034H track roller



- 4110T-3034H  
Track roller**
- Quiet, low friction roller assembly
  - Shoulder dimension "X" = 1/16" (2mm)
  - Spring-loaded hold-open mechanism



- 4110T-3034  
Track roller**
- Quiet, low friction roller assembly
  - Shoulder dimension "X" = 1/16" (2 mm)

## Ordering information

### How-to-order 4110T Series closers

- 1. Select cylinder size**
  - 4111T (ADA)
  - 4113T
  - 4114T
- 2. Specify hand**
  - Right Hand (RH)
  - Left Hand (LH)
- 3. Select finish**
  - Standard powder coat \_\_\_\_\_

Matte Black (622), Aluminum (689), Dark Bronze (695), Statuary Bronze (690), Light Bronze (691), Black (693), or Brass (696)

#### Closer will be shipped with:

- Standard cover
- Standard arm
- Track roller
- Standard track
- Self reaming and tapping screws (unless options listed below are selected)

### Closer options

#### Cover

- Metal Cover (MC)

#### Finish

- Custom powder coat (RAL) \_\_\_\_\_ (handed metal cover required)
- Plated finish, US \_\_\_\_\_ (handed metal cover required)
- SRI primer (use with powder coat finishes only)

#### Track

- Track with Bumper (BUMP)
- Hold Open Track (H)
- Hold Open Track with Bumper (HBMP)

#### Screw pack

- Through Bolt<sup>1</sup> Self Reaming and Tapping Screws (TBSRT)
- Wood and Machine Screws (WMS)
- Through Bolt<sup>1</sup> Wood and Machine Screws (TBWMS)
- Torx Machine Screws (TORX)
- Through Bolt<sup>1</sup> and Torx Machine Screws (TBTRX)

#### Installation accessories

- Plate, 4110T-18

#### Special template

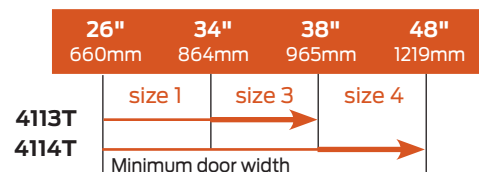
- ST- \_\_\_\_\_

1. Specify door thickness if other than 1 3/4".

### Table of sizes

- Select closer based on width of door
- Sized 4110T Series cylinders available in size 1, 3 or 4
- Specify next higher size closer where strong drafts exists

#### Interior door width



➔ Indicates recommended range of door width for closer size.

### Reduced opening force 4110T Series closers

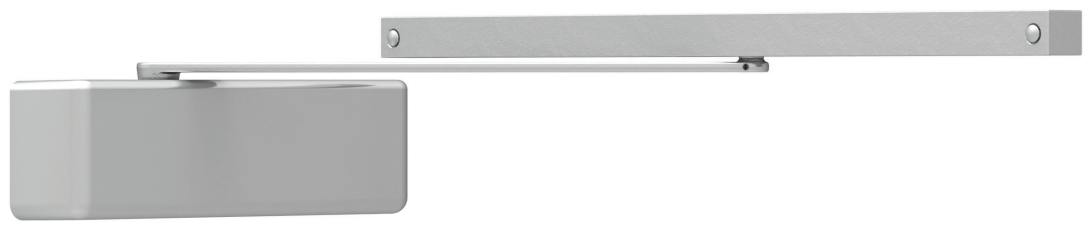
**CAUTION!** Any manual door closer, including those certified by BHMA to conform to ANSI Standard A156.4, that is selected, installed and adjusted based on ADA or other reduced opening force requirements may not provide sufficient power to reliably close and latch a door.

Refer to Automatic Operators catalog for information on systems that meet reduced opening force requirements without effecting closing power.

	Door width	36"	42"	48"
	8.5* lbs.	N/A	N/A	N/A
	5.0* lbs.	4110T	4110T	4110T

\* Maximum opening force.

# 4000T Series



The 4000T is a heavy duty closer to reliably control fire and smoke barrier doors with maximum swing of 90°. Designed for use with an SEM 7850 wall magnet.

## Features

<b>Certifications</b>	Grade 1 - ANSI A156.4, UL 10C, ADA, 100 hour salt spray, meets BAA - Buy American Act	<b>Cover</b>	<ul style="list-style-type: none"> <li>Plastic Cover (PC), standard</li> <li>Metal Cover (MC), optional</li> </ul>
<b>Body construction</b>	<ul style="list-style-type: none"> <li>Cast iron body</li> <li>Full complement bearing</li> <li>1 1/2" diameter piston</li> <li>3/4" diameter double heat treated pinion journal</li> </ul>	<b>Fasteners</b>	Wood and Machine Screws (WMS)
<b>Fluid</b>	All weather fluid	<b>Mounting</b>	In a wall pocket, hinge side
<b>Handing</b>	Non-handed	<b>Arms</b>	Standard arm and track with roller
<b>Size</b>	Size 3 or 4	<b>Finishes/colors/ powder coat</b>	<ul style="list-style-type: none"> <li>622 Matte black</li> <li>689 Aluminum</li> <li>690 Statuary Bronze</li> <li>691 Light Bronze</li> <li>693 Black</li> <li>695 Dark Bronze</li> <li>696 Brass</li> <li>Custom colors optional</li> </ul>
<b>Warranty</b>	30 years		<ul style="list-style-type: none"> <li>Optional SRI primer - powder coat only</li> <li>Optional plated finishes</li> </ul>

### Special templates

Customized installation templates or products may be available to solve non-standard applications. Contact LCN Product Support for assistance.

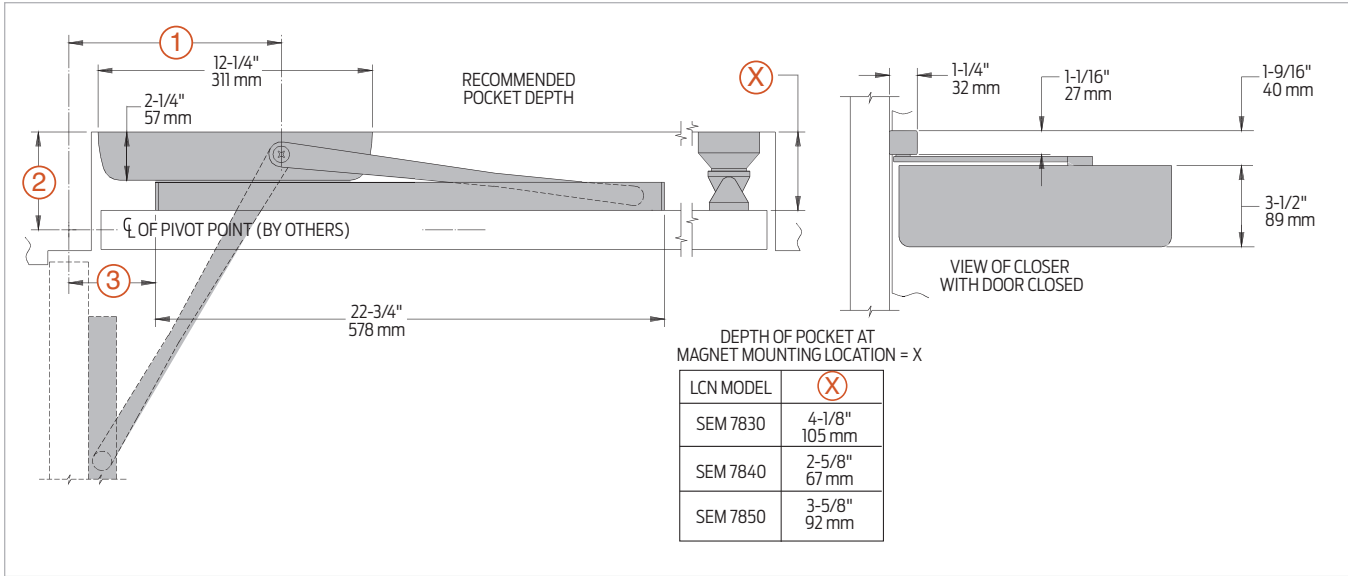
Hinge (pull) side	Mounting	Finish	Cover	Cylinder	Arm function*
Hinge (pull) side	Top jamb (pull)	Plastic	Non-handed	Regular (double)	Regular (double)
Top jamb (pull)	Top jamb (push)	Metal	Non-sized	Standard (single)	Standard (single)
Parallel arm	Parallel arm		Accessibility	Hold Open	Hold Open
Stop face	Stop face		Delay Action***	Fusible Link	Fusible Link
Powder coat	Powder coat		CYLAVB**	EDAV/HEDA	EDAV/HEDA
Plated	Plated			CUSH/HEDASH	CUSH/HEDASH
				SCUSH/SHCUSH	SCUSH/SHCUSH
				Double Egress	Double Egress

■ Available      \* Maximum opening/hold open point with standard template.  
■ Not available      \*\* Advanced Variable Back Check.  
 \*\*\* Delay feature incorporates standard 4040 cylinder (not XP).



# Mounting details

## Wall pocket mounting



<b>Butt hinges</b>	<ul style="list-style-type: none"> <li>▪ Pocket pivot, total door hinge or center pivot are door mounting options</li> <li>▪ Should not exceed 5" (127 mm)</li> </ul>
<b>Pocket depth</b>	<ul style="list-style-type: none"> <li>▪ See above table for distance required between door and closer mounting location</li> <li>▪ This dimension is measured from the cylinder mounting surface to the pull side face of the door at 90°</li> </ul>
<b>Wall magnet</b>	<ul style="list-style-type: none"> <li>▪ SEM 7850 is recommended; use of other magnets may require special construction to alter the depth of the pocket at the magnet location</li> <li>▪ See Fire Life Safety catalog</li> </ul>
<b>Dimension 1</b>	<ul style="list-style-type: none"> <li>▪ The distance from the centerline of the closer shaft to the centerline of the hinge or pivot</li> <li>▪ For pocket pivot or total door hinge, 9 1/2" (241 mm)</li> <li>▪ For butt hinge 8" (203 mm)</li> <li>▪ For center pivot 10" (254 mm)</li> </ul>
<b>Dimension 2</b>	<ul style="list-style-type: none"> <li>▪ The distance from the centerline of the pivot or hinge to the cylinder mounting surface</li> <li>▪ For pocket pivot 4 1/2" (114 mm)</li> <li>▪ For total door hinge 3 7/8" (98mm)</li> <li>▪ For butt hinge 2 7/8" (73 mm)</li> <li>▪ For center pivot 4 1/2" (114 mm)</li> </ul>
<b>Dimension 3</b>	<ul style="list-style-type: none"> <li>▪ The distance from the centerline of the pivot or hinge to end of the track</li> <li>▪ For pocket pivot or total door hinge, 3 7/8" (98mm)</li> <li>▪ For butt hinge 2 3/8" (60mm)</li> <li>▪ For center pivot 4 5/8" (117mm)</li> </ul>
<b>Maximum opening</b>	<ul style="list-style-type: none"> <li>▪ Templating allows 90° only</li> <li>▪ Hold open point 90° with magnet</li> </ul>

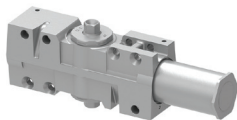
**Notes:**

- Cylinder mounts on wall
- Track mounts on hinge side of door

## 4000/4000T Series

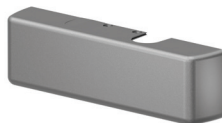
## Accessories

## Cylinders


**4003(4)T-3071  
Cast iron cylinder  
assembly (CYL)**

- Non-handed
- Standard

## Covers

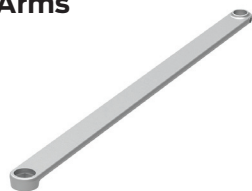

**4000T-72  
Plastic Cover (PC)**

- Non-handed


**4000T-72MC  
Metal Cover (MC)**

- Handed
- Required for plated finishes and custom powder coat finishes
- Optional

## Arms


**4000T-3077T  
Standard Arm (STDTRKARM)**

- Non-handed
- Roller not included with arm

## Tracks


**4000T-3038  
Standard Track (STDTRK)**

- Non-handed
- Non hold open
- Will not accept hold open clip or bumper assembly
- Standard


**4000T-3034  
Track roller**

- Quiet, low friction roller assembly
- Shoulder dimension "X" = 1/8" (3 mm)

## Ordering information

### How-to-order 4000T Series closers

**1. Select cylinder size**

- 4003T
- 4004T

**2. Select finish**

- Standard powder coat \_\_\_\_\_  
Matte Black (622), Aluminum (689),  
Dark Bronze (695), Statuary Bronze  
(690), Light Bronze (691), Black  
(693), or Brass (696)

### Closer will be shipped with:

- Standard cylinder
- Standard cover
- Standard arm
- Track roller
- Standard track
- Self-reaming and tapping screws  
(unless options listed below are selected)

### Closer options

**Cover**

- Metal Cover (MC)

**Finish**

- Custom powder coat (RAL) \_\_\_\_\_  
(handed metal cover required)
- Plated finish \_\_\_\_\_  
(handed metal cover required)
- SRI primer (use with powder coat finishes only)

**Screw pack**

- Through Bolt<sup>1</sup> Wood and Machine Screws (TBWMS)
- Torx Machine Screws (TORX)
- Through Bolt<sup>1</sup> and Torx Machine Screws (TBTRX)

**Special template**

- ST- \_\_\_\_\_

1. Specify door thickness if other than 1 3/4".

### Table of sizes

- Select closer based on width of door
- 4000T Series cylinders available in size 3 or 4
- Closing power of 4000T Series closers is not adjustable

**Interior door width**



➔ Indicates recommended range of door width for closer size.

## About Allegion

Allegion (NYSE: ALLE) is a global pioneer in seamless access, with leading brands like CISA®, Interflex®, LCN®, Schlage®, SimonsVoss® and Von Duprin®. Focusing on security around the door and adjacent areas, Allegion secures people and assets with a range of solutions for homes, businesses, schools and institutions. Allegion had \$2.7 billion in revenue in 2020, and its security products are sold around the world.

For more, visit [www.allegion.com](http://www.allegion.com)

KRYPTONITE ■ LCN ■  ■ STEELCRAFT ■ VON DUPRIN