

Kwikset



Electronic Deadbolts and Levers with Home Connect Technology



HOMEOWNER BENEFITS

Kwikset locks with Home Connect technology provide a smarter way to expand security and home automation systems to a complete line of wirelessly enabled door locks. Control the lock from anywhere using a smart phone, tablet, or internet connected device through the security/home automation system app.



- Remote Locking and Unlocking
- Notifications of Lock's Activity
- Access Control
- Integration with Other Smart Devices in the Home

KEYLESS ENTRY

A key-free lifestyle means no more fumbling for keys, no more losing keys, no more lockouts. With customizable user codes, homeowners can enter their home with just a few simple pushes of a button. Homeowners also get more control over who has access to the home. Kwikset electronic locks can store multiple user codes and can be scheduled to allow access at pre-selected times and recurrences.

REMOTE ACCESS

Homeowners can access and manage their lock from anywhere for ultimate control over their security and peace of mind. With Kwikset electronic locks, homeowners can lock and unlock doors from anywhere with an internet connected device, receive notification alerts of lock activity, and check the status of the lock while away from home.

HOME MANAGEMENT

Kwikset locks with Home Connect technology speak to the security system or home automation controller, allowing homeowners to set-up scenes and trigger events. From arming/disarming the alarm, to lights turning off/on, and the thermometer adjusting to the right temperature, it all starts with the Kwikset lock.



ANSI/BHMA* Certification requires that products are tested and audited, leading to higher design specifications and manufacturing procedures for operation, key torque cycles, pull strength, impact resistance, and finish. All Kwikset electronic locks and smart locks are certified to meet or exceed ANSI/BHMA requirements.



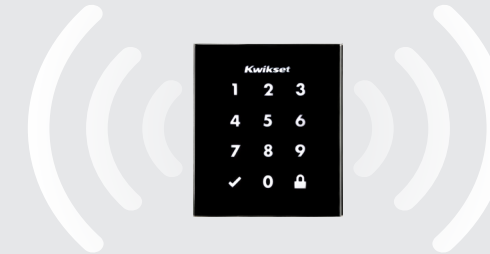
SmartKey Security™ provides strong resistance against advanced forced entry techniques. It also allows you to re-key the lock yourself so all your Kwikset locks share one key.

* ANSI/BHMA is an independent industry organization that certifies builders hardware product

DEALER BENEFITS

Selling on the benefits of incorporating access control

- Safety & Security
- Remote Access Control
- Energy Management



- Everyday Convenience
- Connected Lifestyle
- "While You Were Out" Peace Of Mind

There are many drivers for why incorporating connected locksets into your customers total security solution will provide otherwise unseen benefits - it's up to you to understand what will motivate a particular homeowner. This understanding will lead to a mutually beneficial scenario for everyone - the customer has been given something of added value to their home life and your business has grown because of it. What does the connected lock mean to you?

INCREASE SYSTEM USAGE

The end consumer may not interact with their security panel on a daily basis, however what they will interact with is their entryway. By creating direct links from your lockset to your security panel, you are creating a lifestyle in which the system is being used on a regular basis.

INCREASE CUSTOMER RETENTION

By delivering a lifestyle in which the end consumer is interacting with their smart devices on a daily basis and coming to rely on the routine benefits provided, they have now entered the mindset where life any other way is unimaginable, turning customer retention into an automatic transaction.

INCREASE RMR

By building varying levels of custom packages (think Good, Better, Best scenarios) that deliver desirable system features and benefits via the products that are included, you can help drive movement towards increased RMR.

PROVIDE THE TOTAL SECURITY SOLUTION

Integrating a connected lockset is no longer just about access control. By creating connections, or scenes, from the lock to other devices in the home such as doorbells, video cameras, alarm panels, thermostats, lighting and more, you are providing a total home security solution that protects what matters most.



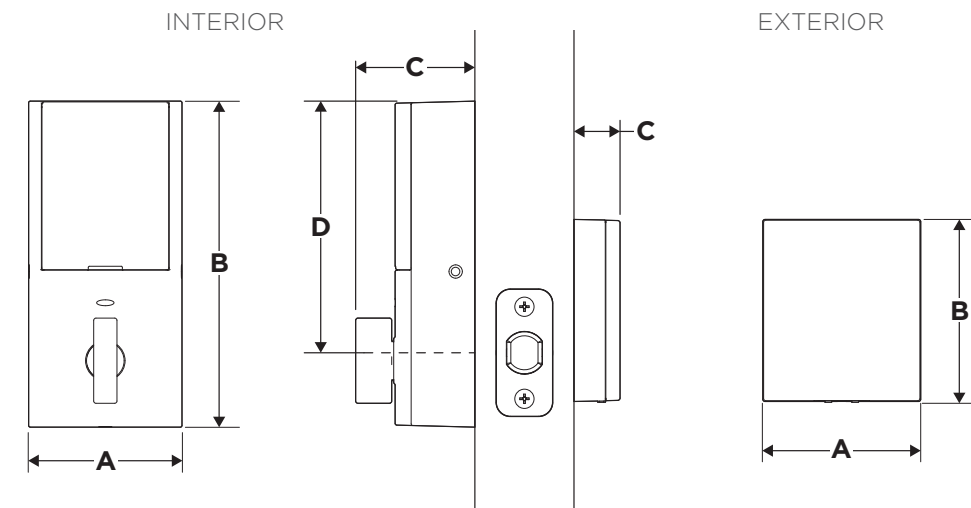
The Obsidian is an extremely slim, modern, key-free smart lock designed for homeowners who love contemporary design. It is the lowest profile smart lock in the industry, with a dark, sleek interface that pushes the boundaries of design in the touchscreen lock category. It features patented SecureScreen™ technology to prevent code detection from fingerprints on the touchscreen.



OBSIDIAN

TOUCHSCREEN ELECTRONIC DEADBOLT

Obsidian Touchscreen Deadbolt



Dimensions	A	B	C	D
Interior	2 11/16" (68.6 mm)	5 3/4" (146 mm)	2 3/32" (53.3 mm)	4 9/16" (116 mm)
Exterior	2 25/32" (70.6 mm)	3 7/32" (81.4 mm)	13/16" (20.6 mm)	---

Available Finishes



11P Venetian Bronze

15 Satin Nickel

Product Features

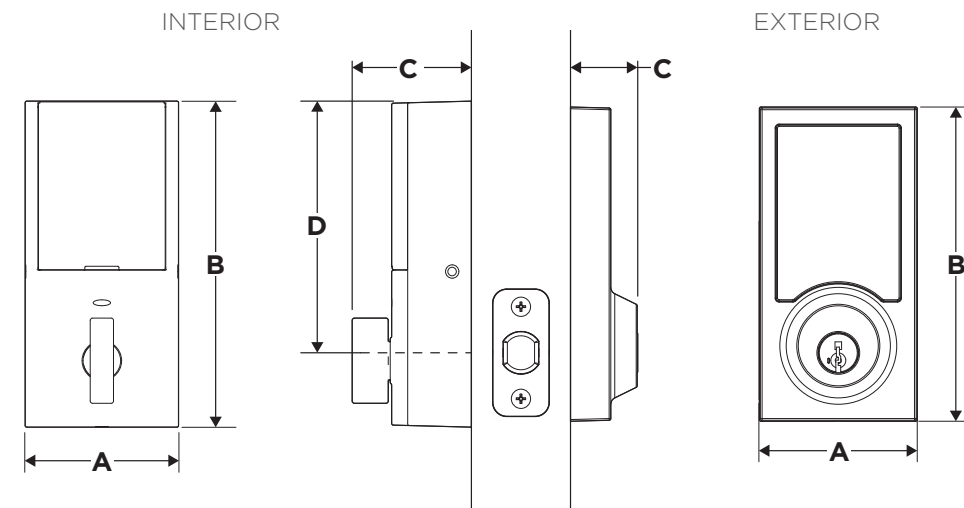
- SecureScreen™ Touchscreen
- Motorized Deadbolt
- One-touch Locking
- Auto Lock
- 30 User Codes
- Interior LED (lock status)



The SmartCode 916 features a capacitive touchscreen with Kwikset's patented SecureScreen™ technology to prevent code detection from fingerprints on the touchscreen. The contemporary design complements homes with a modern décor.



SmartCode™ 916
Contemporary Touchscreen Deadbolt



Dimensions	A	B	C	D
Interior	2 11/16" (68.6 mm)	5 3/4" (146 mm)	2 3/32" (53.3 mm)	4 9/16" (116 mm)
Exterior	2 25/32" (70.7 mm)	5 17/32" (140.7 mm)	1 3/16" (30 mm)	---

Available Finishes



11P Venetian Bronze

15 Satin Nickel

26 Polished Chrome

514 Matte Black

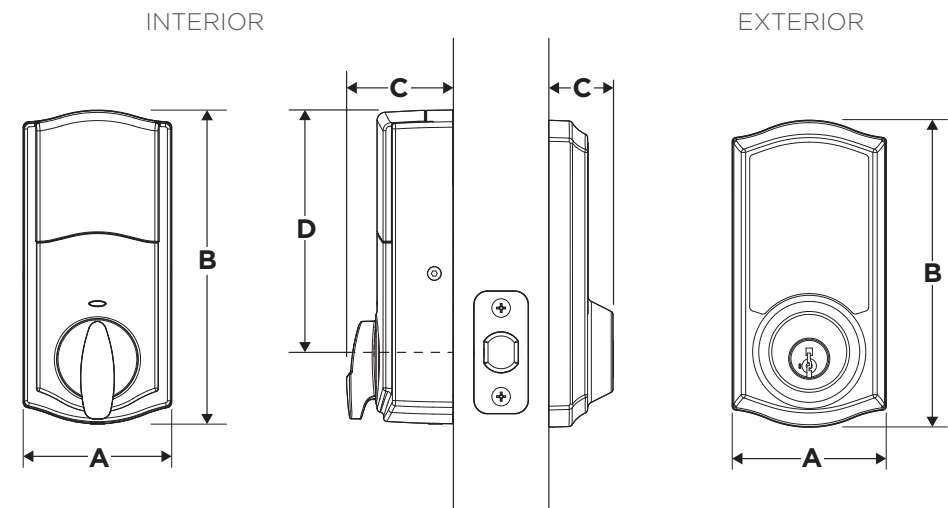
Product Features

- SecureScreen™ Touchscreen
- Motorized Deadbolt
- One-touch Locking
- Auto Lock
- 30 User Codes
- Interior LED (lock status)



SMARTCODE 916
TOUCHSCREEN ELECTRONIC DEADBOLT

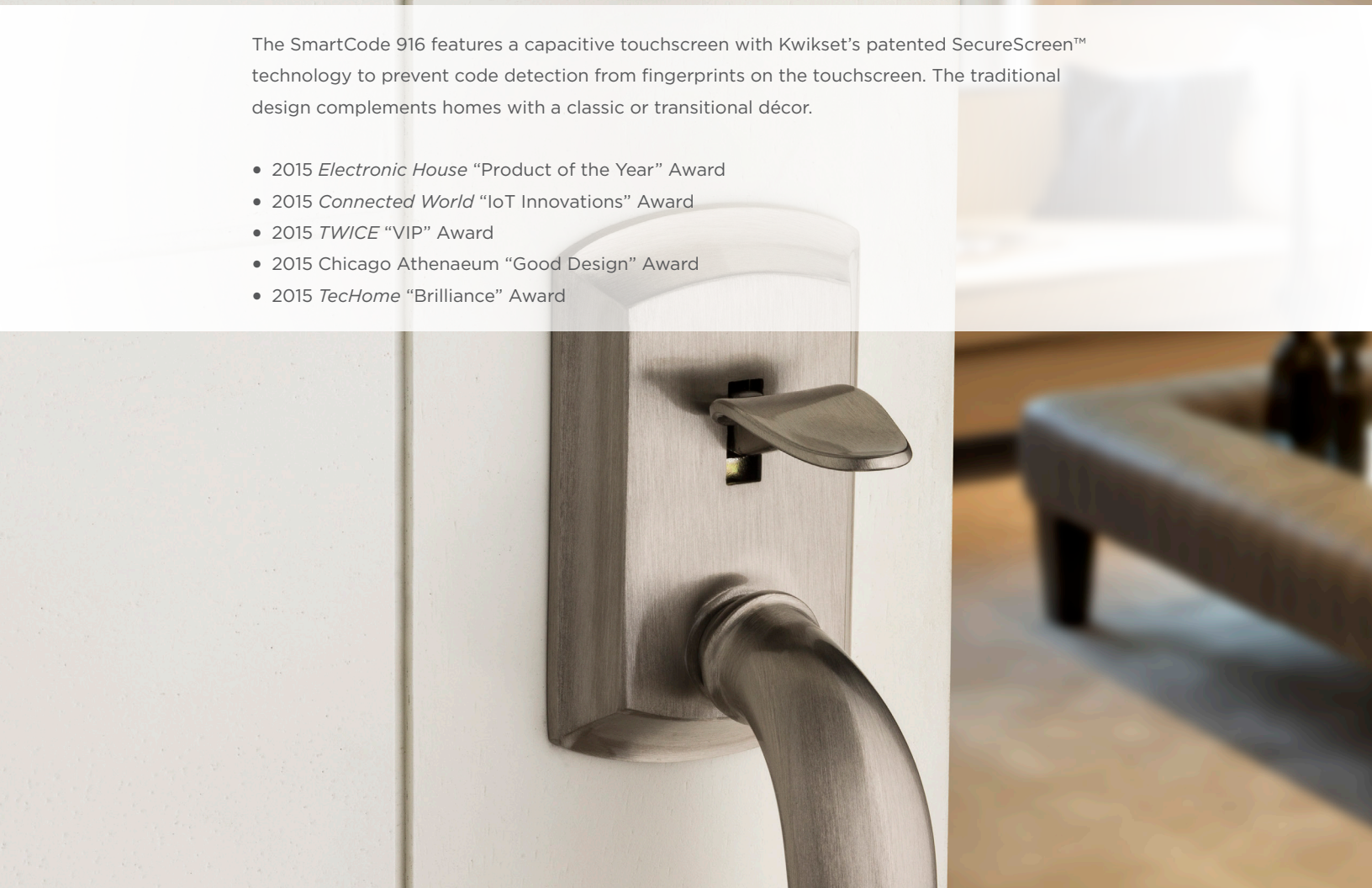
SmartCode™ 916
Traditional Touchscreen Deadbolt



Dimensions	A	B	C	D
Interior	2 3/4" (70 mm)	5 3/4" (146 mm)	1 15/16" (49 mm)	4 9/16" (116 mm)
Exterior	2 13/16" (72 mm)	5 5/8" (143 mm)	1 3/16" (30 mm)	---

The SmartCode 916 features a capacitive touchscreen with Kwikset's patented SecureScreen™ technology to prevent code detection from fingerprints on the touchscreen. The traditional design complements homes with a classic or transitional décor.

- 2015 *Electronic House* "Product of the Year" Award
- 2015 *Connected World* "IoT Innovations" Award
- 2015 *TWICE* "VIP" Award
- 2015 Chicago Athenaeum "Good Design" Award
- 2015 *TechHome* "Brilliance" Award



Available Finishes



11P Venetian Bronze

15 Satin Nickel

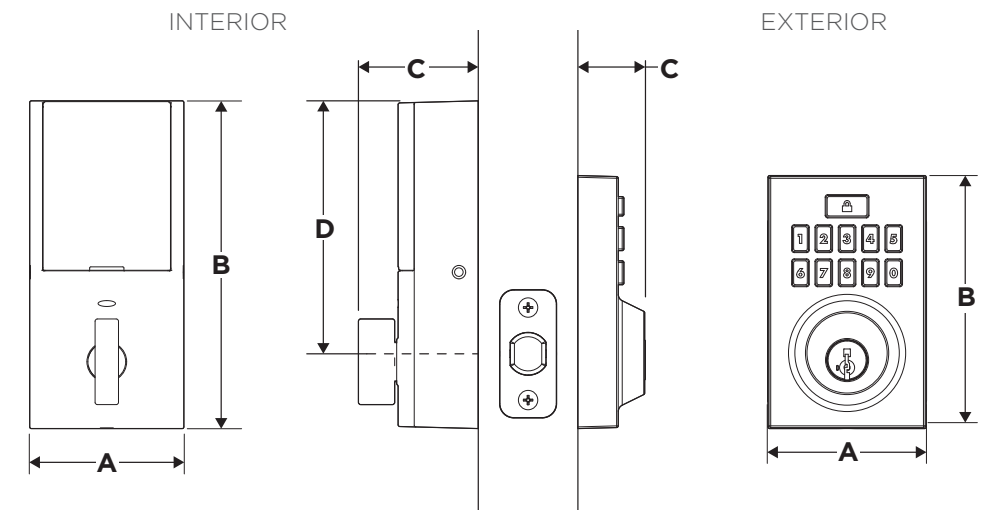
Product Features

- SecureScreen™ Touchscreen
- Motorized Deadbolt
- One-touch Locking
- Auto Lock
- 30 User Codes
- Interior LED (lock status)



SMARTCODE 914
TOUCHPAD ELECTRONIC DEADBOLT

SmartCode™ 914
Contemporary Touchpad Deadbolt



Dimensions	A	B	C	D
Interior	2 11/16" (69.6 mm)	5 3/4" (146.05 mm)	2 3/32" (53.3 mm)	4 9/16" (116 mm)
Exterior	2 25/32" (70.7 mm)	4 7/16" (112.71 mm)	1 3/16" (30.163 mm)	---

The SmartCode 914 is a touchpad electronic deadbolt with a metal housing that delivers quality that can be felt for added security and durability. Its contemporary design complements homes with a modern décor.



Available Finishes



11P Venetian Bronze

15 Satin Nickel

26 Polished Chrome

514 Matte Black

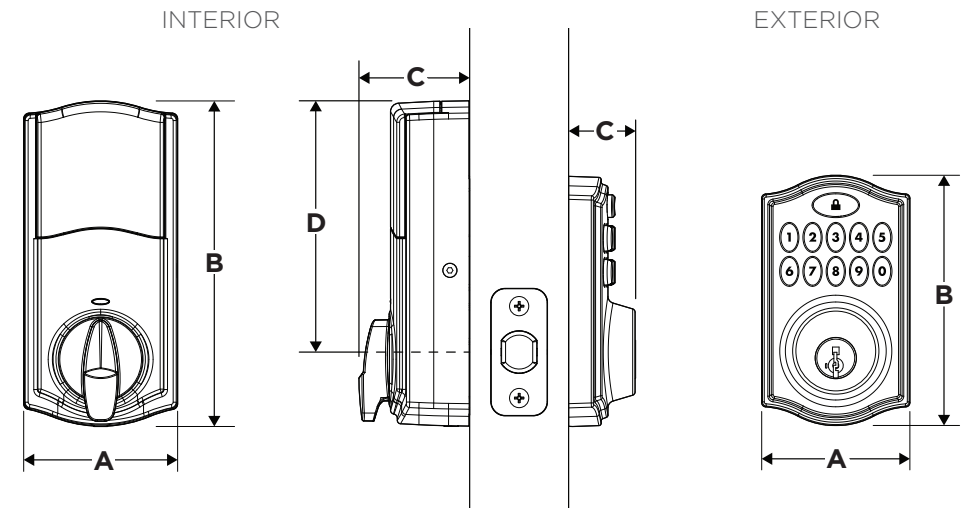
Product Features

- 10-digit Touchpad
- Motorized Deadbolt
- One-touch Locking
- Auto Lock
- 30 User Codes
- Interior LED (lock status)



SMARTCODE 914
TOUCHPAD ELECTRONIC DEADBOLT

SmartCode™ 914
Traditional Touchpad Deadbolt



Dimensions	A	B	C	D
Interior	2 3/4" (69.85 mm)	5 3/4" (146.05 mm)	2" (50.8 mm)	4 7/16" (112.71 mm)
Exterior	2 5/8" (66.68 mm)	4 7/16" (112.71 mm)	1 3/16" (30.163 mm)	---

The SmartCode 914 is a touchpad electronic deadbolt with a metal housing that delivers quality that can be felt for added security and durability. The traditional design complements homes with a classic or transitional décor.

- 2013 CEDIA "Manufacturers' Excellence" Award



Available Finishes



LO3/3 Polished Brass

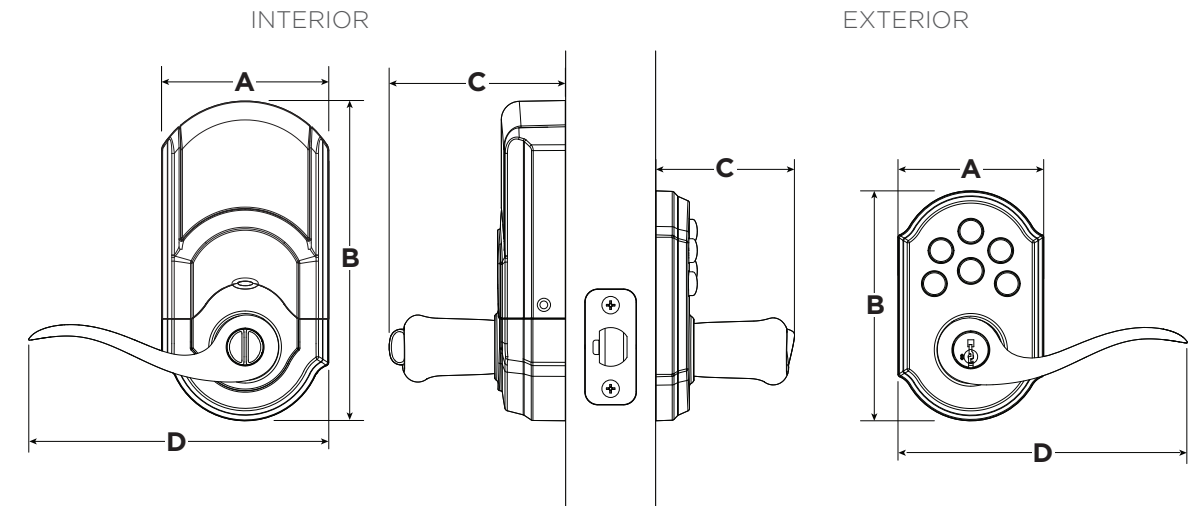
11P Venetian Bronze

15 Satin Nickel

Product Features

- 10-digit Touchpad
- Motorized Deadbolt
- One-touch Locking
- Auto Lock
- 30 User Codes
- Interior LED (lock status)

SmartCode™ 912
Touchpad Lever



Dimensions	A	B	C	D
Interior	3 15/16" (82.15 mm)	6 3/16" (157.16 mm)	3 27/64" (86.92 mm)	5 13/16" (147.64 mm)
Exterior	2 13/16" (71.44 mm)	4 29/64" (113.11 mm)	2 11/16" (68.26 mm)	5 39/64" (142.48 mm)

Available Finishes



LO3/3 Polished Brass



11P Venetian Bronze



15 Satin Nickel

Product Features

- 5-digit Touchpad
- Motorized Latch
- One-touch Locking
- Auto Lock
- 30 User Codes
- Interior LED (lock status)

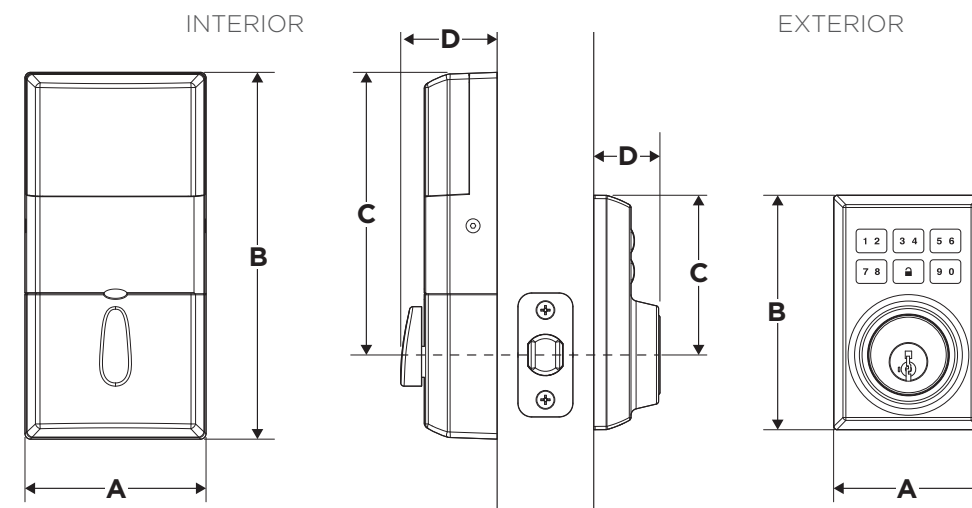
The SmartCode 912 is an electronic touchpad lever recommended for securing interior rooms like home offices, wine cellars, storage rooms, and interior garage doors. The traditional design complements homes with classical, transitional, or modern décor.



The SmartCode 910 is Kwikset's first touchpad electronic deadbolt that was first-to-market with its One-touch Locking feature for added convenience. Its motorized deadbolt was also first-to-market, making remote locking and unlocking possible without having to physically interact with the deadbolt, unlike other electronic lock brands at the time. Its contemporary design complements homes with a modern décor.



SmartCode™ 910
Contemporary Touchpad Deadbolt



Dimensions	A	B	C	D
Interior	3 9/32" (83.34 mm)	6 21/32" (169.07 mm)	5 1/8" (130.18 mm)	1 3/4" (44.45 mm)
Exterior	2 3/4" (69.85 mm)	4 1/4" (107.95 mm)	3" (76.20 mm)	1 7/32" (30.96 mm)

Available Finishes



11P Venetian Bronze

15 Satin Nickel

26 Polished Chrome

26D Satin Chrome

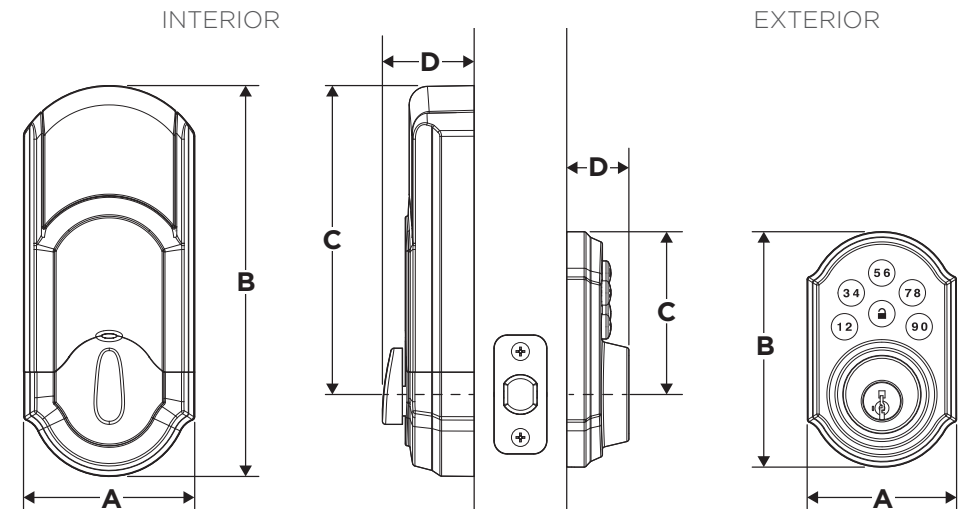
Product Features

- 5-digit Touchpad
- Motorized Deadbolt
- One-touch Locking
- Auto Lock
- 30 User Codes
- Interior LED (lock status)



SMARTCODE 910
TOUCHPAD ELECTRONIC DEADBOLT

SmartCode™ 910
Traditional Touchpad Deadbolt



Dimensions	A	B	C	D
Interior	3 1/4" (82.55 mm)	7 13/32" (188.12 mm)	5 27/32" (148.43 mm)	1 3/4" (44.45 mm)
Exterior	2 27/32" (72.23 mm)	4 1/2" (114.30 mm)	3" (76.20 mm)	1 3/16" (30.16 mm)

The SmartCode 910 is Kwikset's first touchpad electronic deadbolt that was first-to-market with its One-touch Locking feature for added convenience. Its motorized deadbolt was also first-to-market, making remote locking and unlocking possible without having to physically interact with the deadbolt, unlike other electronic lock brands at the time. The traditional design complements homes with a classic or transitional décor.

- 2009 *CE Pro* "BEST" Award
- 2009 *Electronic House* "TOPS" Award
- 2009 *Custom Retailer* "Excite!" Award



Available Finishes



LO3/3 Polished Brass



11P Venetian Bronze



15 Satin Nickel

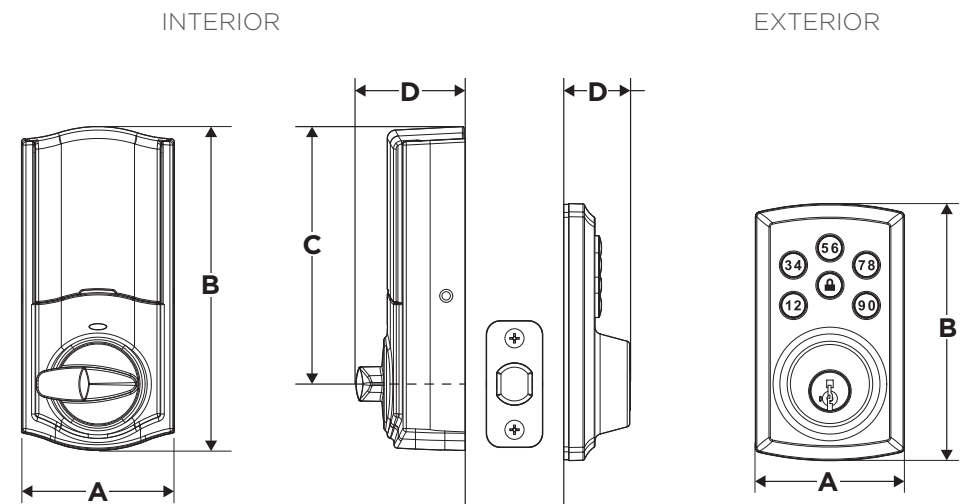
Product Features

- 5-digit Touchpad
- Motorized Deadbolt
- One-touch Locking
- Auto Lock
- 30 User Codes
- Interior LED (lock status)



SMARTCODE 888
TOUCHPAD ELECTRONIC DEADBOLT

SmartCode™ 888
Touchpad Deadbolt



Dimensions	A	B	C	D
Interior	2 23/32" (69 mm)	5 25/32" (146.6 mm)	4 19/32" (116.5 mm)	1 15/16" (49.5 mm)
Exterior	2 21/32" (67.4 mm)	4 19/32" (116.3 mm)		1 3/16" (30.16 mm)

Available Finishes



LO3/3 Polished Brass



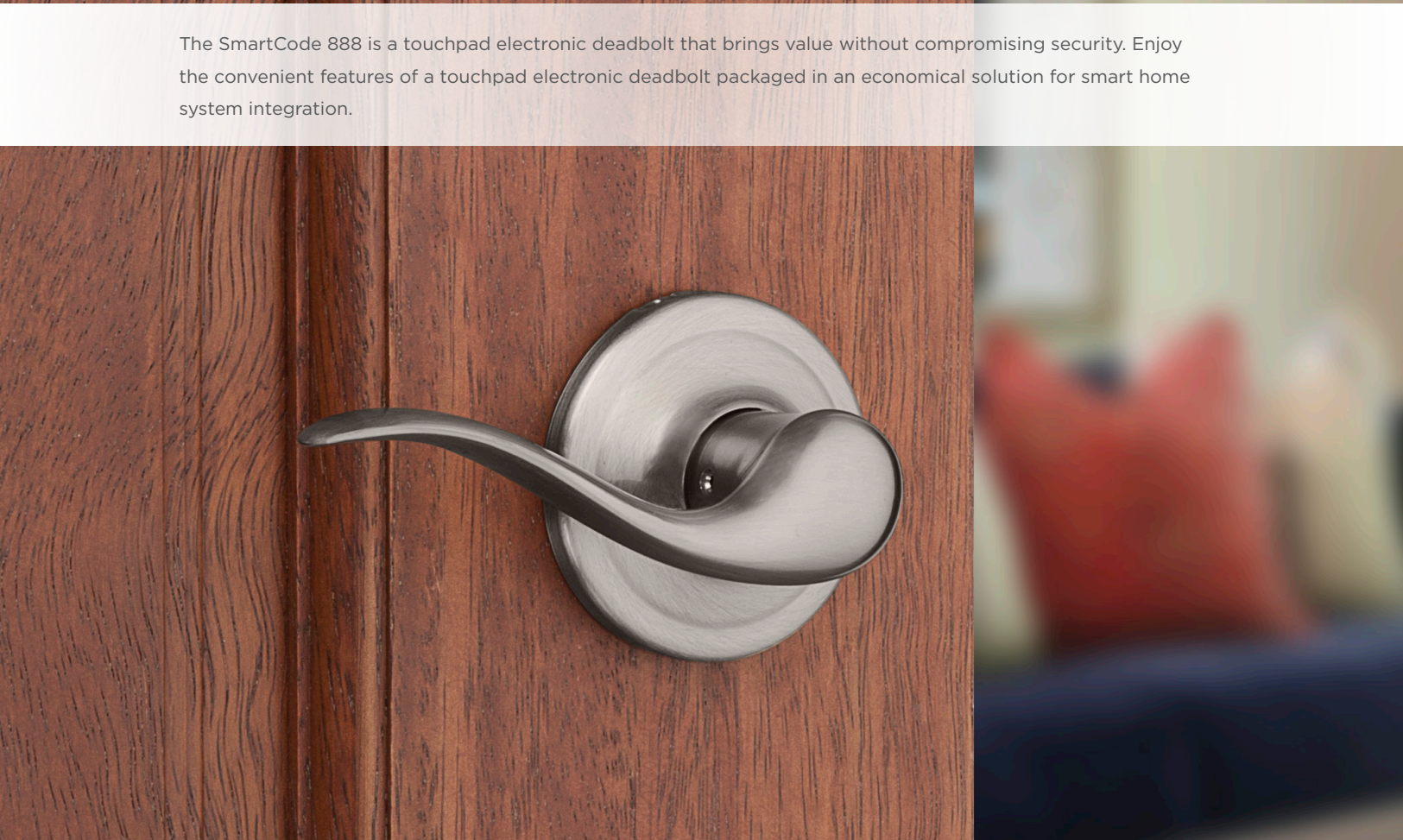
11P Venetian Bronze

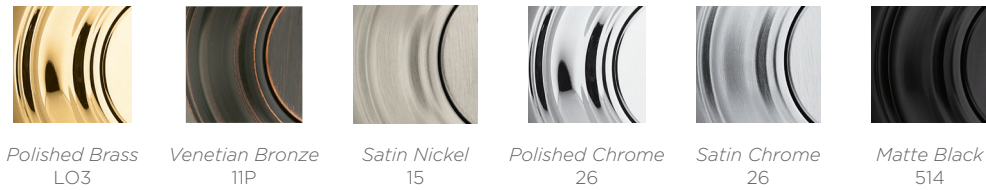


15 Satin Nickel

Product Features

- 5-digit Touchpad
- Motorized Deadbolt
- One-touch Locking
- Auto Lock
- 30 User Codes
- Interior LED (lock status)





OBSIDIAN

Part #	Item Description	Product Type	Finish
99540-001	954 OBN ZW500 15 RCALFD	Obsidian with Z-Wave Plus™	Satin Nickel
99540-002	954 OBN ZW500 11P RCALFD	Obsidian with Z-Wave Plus	Venetian Bronze



SMARTCODE 916

Part #	Item Description	Product Type	Finish
99160-016	916CNT ZW500 15 RCALFD	SmartCode CNT with Z-Wave Plus	Satin Nickel
99160-017	916CNT ZW500 11P RCALFD	SmartCode CNT with Z-Wave Plus	Venetian Bronze
99160-018	916CNT ZW500 26 RCALFD	SmartCode CNT with Z-Wave Plus	Polished Chrome
99160-028	916CNT ZW500 514 SMT CP TPR RCALFD	SmartCode 916 CNT with Z-Wave Plus	Matte Black
99160-020	916TRL ZW500 15 RCALFD	SmartCode 916 Touchscreen Deadbolt with Z-Wave Plus	Satin Nickel
99160-021	916TRL ZW500 11P RCALFD	SmartCode 916 Touchscreen Deadbolt with Z-Wave Plus	Venetian Bronze
99160-007	916TRL TSCR ZB L03 SMT CP	SmartCode 916 HA 1.2 ZigBee Touchscreen Deadbolt	Polished Brass
99160-008	916TRL TSCR ZB 15 SMT CP	SmartCode 916 HA 1.2 ZigBee Touchscreen Deadbolt	Satin Nickel
99160-009	916TRL TSCR ZB 11P SMT CP	SmartCode 916 HA 1.2 ZigBee Touchscreen Deadbolt	Venetian Bronze



SMARTCODE 914

Part #	Item Description	Product Type	Finish
99140-019	914CNT ZW 15 SMTCD CP TPR RCALFD	SmartCode 914 CNT with Z-Wave Plus	Satin Nickel
99140-020	914CNT ZW 11P SMTCD CP TPR RCALFD	SmartCode 914 CNT with Z-Wave Plus	Venetian Bronze
99140-021	914CNT ZW 26 SMTCD CP TPR RCALFD	SmartCode 914 CNT with Z-Wave Plus	Polished Brass
99140-028	914CNT ZW500 514 SMT CP TPR RCALFD	SmartCode 914CNT with Z-Wave Plus	Matte Black
99140-022	914TRL ZW500 L03 RCALFD	SmartCode 914 Deadbolt with Z-Wave Plus	Polished Brass
99140-023	914TRL ZW500 15 RCALFD	Smartcode 914 Deadbolt with Z-Wave Plus	Satin Nickel
99140-024	914TRL ZW500 11P RCALFD	Smartcode 914 Deadbolt with Z-Wave Plus	Venetian Bronze
99140-007	914TRL ZB L03 SMT CP	SmartCode 914 HA 1.2 ZigBee Deadbolt	Polished Brass
99140-008	914TRL ZB 15 SMT CP	SmartCode 914 HA 1.2 ZigBee Deadbolt	Satin Nickel
99140-009	914TRL ZB 11P SMT CP	SmartCode 914 HA 1.2 ZigBee Deadbolt	Venetian Bronze



SMARTCODE 912 LEVER

Part #	Item Description	Product Type	Finish
99120-039	912TNL ZW500 L03 RCALFD	SmartCode 912 Lever with Z-Wave Plus	Polished Brass
99120-037	912TNL ZW500 15 RCALFD	SmartCode 912 Lever with Z-Wave Plus	Satin Nickel
99120-038	912TNL ZW500 11P RCALFD	SmartCode 912 Lever with Z-Wave Plus	Venetian Bronze
99120-030	912TNL TRL ZB L03 SMT CP	SmartCode 912 HA 1.2 ZigBee Lever	Polished Brass
99120-020	912TNL TRL ZB 15 SMT CP	SmartCode 912 HA 1.2 ZigBee Lever	Satin Nickel
99120-021	912TNL TRL ZB 11P SMT CP	SmartCode 912 HA 1.2 ZigBee Lever	Venetian Bronze



SMARTCODE 910

Part #	Item Description	Product Type	Finish
99100-080	910CNT ZW500 15 RCALFD	SmartCode 910 Contemporary Deadbolt with Z-Wave Plus	Satin Nickel
99100-081	910CNT ZW500 26D RCALFD	SmartCode 910 Contemporary Deadbolt with Z-Wave Plus	Satin Chrome
99100-082	910CNT ZW500 26 RCALFD	SmartCode 910 Contemporary Deadbolt with Z-Wave Plus	Polished Chrome
99100-083	910CNT ZW500 11P RCALFD	SmartCode 910 Contemporary Deadbolt with Z-Wave Plus	Venetian Bronze
99100-077	910TRL ZW500 L03 RCALFD	SmartCode 910 Traditional Deadbolt with Z-Wave Plus	Polished Brass
99100-078	910TRL ZW500 15 RCALFD	SmartCode 910 Traditional Deadbolt with Z-Wave Plus	Satin Nickel
99100-079	910TRL ZW500 11P RCALFD	SmartCode 910 Traditional Deadbolt with Z-Wave Plus	Venetian Bronze



SMARTCODE 888

Part #	Item Description	Product Type	Finish
98880-004	888 ZW500 15 SMT RCALFD RCS	SmartCode 888 with Z-Wave Plus	Satin Nickel
98880-005	888 ZW500 11P SMT RCALFD RCS	SmartCode 888 with Z-Wave Plus	Venetian Bronze
98880-006	888 ZW500 L03 SMT RCALFD RCS	SmartCode 888 with Z-Wave Plus	Polished Brass



The Kwikset logo is displayed in white, bold, italicized sans-serif font against a solid red rectangular background.

Innovation for the world you live in.

We are dedicated to putting countless hours of research and development into simplifying your life. The technology that we create doesn't just change the way locks work, it provides convenient features that change the way people live. Because at the end of the day, it's your world and we're here to protect it.



Electronic Deadbolts and Levers with Home Connect Technology

©2020 Spectrum Brands, Inc. • Kwikset is a trademark of Spectrum Brands, Inc. Lake Forest, CA 92610
www.kwikset.com/wirelesslocks • 1-866-863-6584 • connected@kwikset.com 654766-11/2020