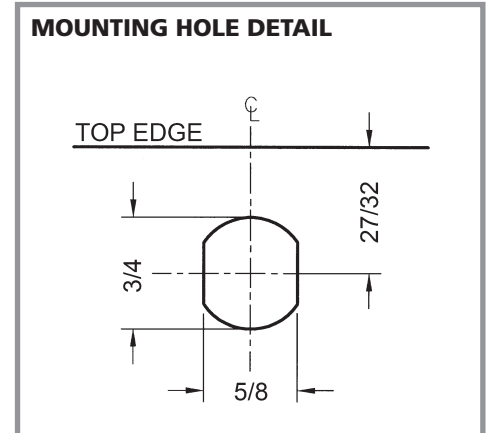
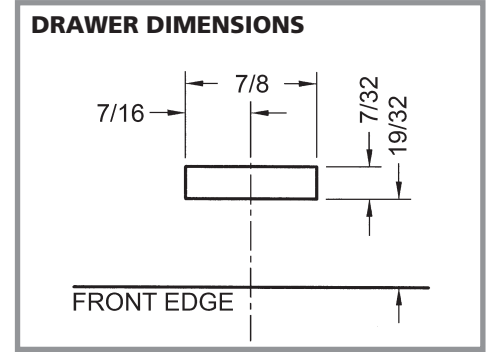
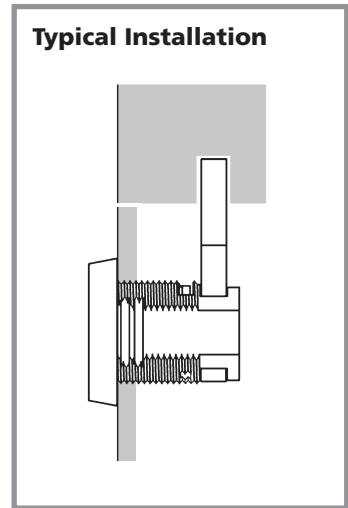


Two slots are available for optional clip mounting. Use of spring clip allows lock to fit material thicknesses of 0" to $11/64$ ". Clip is sold separately.



Included Accessories:

- 2 nickel plated keys
- 1 brass fixing nut



Inserting bolt:

- Insert key and turn to 2:00 position.
- Insert bolt until spring snaps into place.

Removing bolt:

- Turn key to the 2:00 position, pull bolt up.
- Using a small tool, depress the bolt spring through the hole on the back of the lock and pull the bolt out.