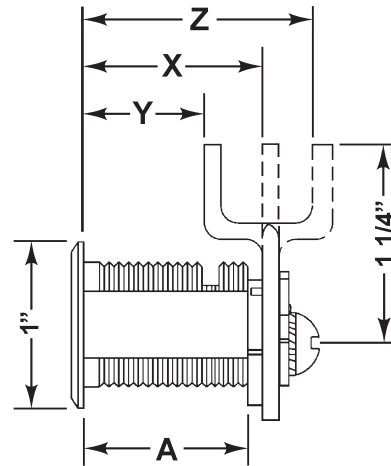


DCR — Cam Lock Dimensions

	For Mat. Thickness	Straight Cam (X)	Inbent Cam (Y)	Outbent Cam (Z)	Cylinder Length (A)
DCR1	3/4"	1-1/16"	3/4"	1-3/8"	1"
DCR2	7/8"	1-3/16"	7/8"	1-1/2"	1-1/8"
DCR3	1-1/8"	1-7/16"	1-1/8"	1-3/4"	1-3/8"
DCR4	1-1/2"	1-13/16"	1-1/2"	2-1/8"	1-3/4"

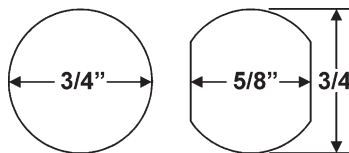


See pages 2 - 3 for cam assembly instructions.

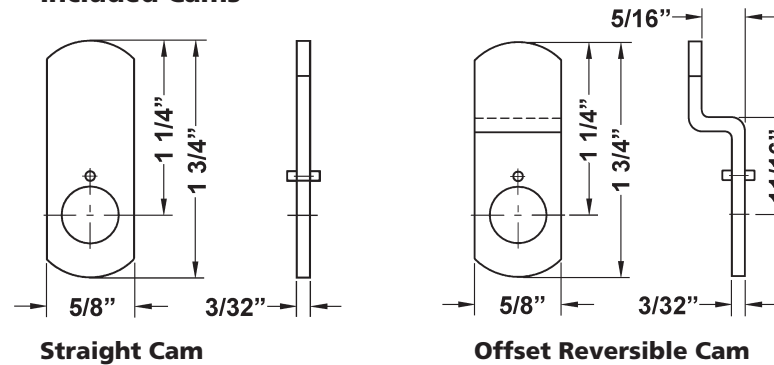
Included Accessories:

- 2 nickel plated keys
- 1 brass fixing nut
- 1 straight cam
- 1 offset reversible cam
- 1 anti-rotation plate
- 1 lost-motion cam shifter

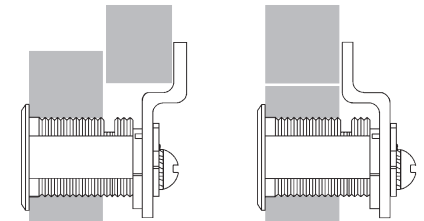
Mounting Cutout



Included Cams

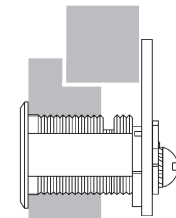


Typical Installation



Overlay

Flush

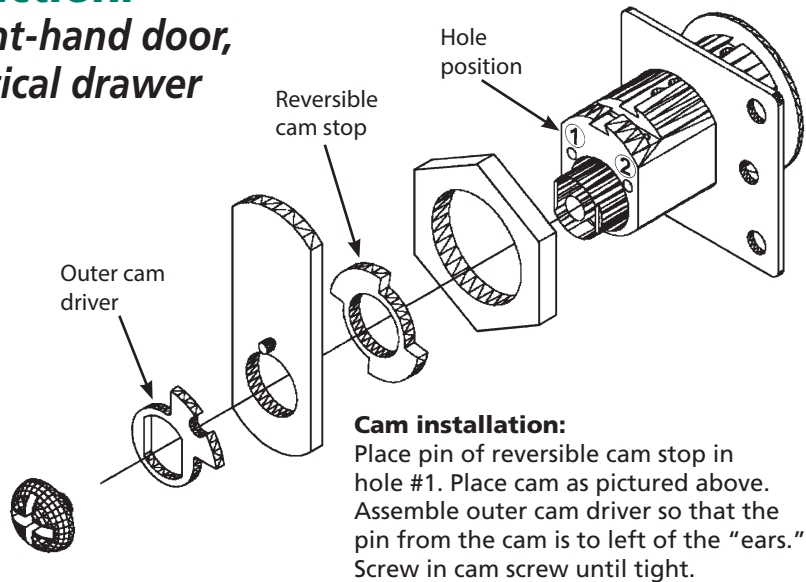


Lipped/Overlay

*Overlay installation is not recommended for particleboard.

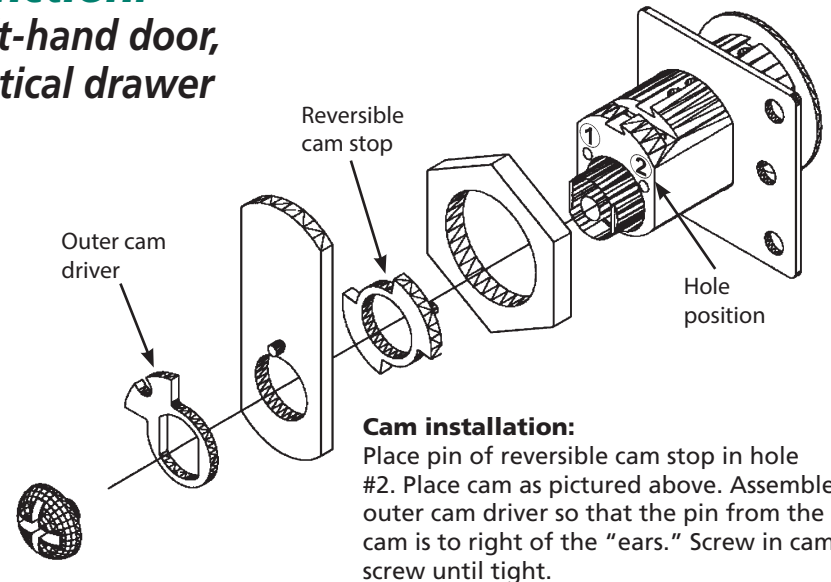
All below configurations can be used with straight cam or offset cam (in either the inbent or outbent position).

Function:
Right-hand door,
vertical drawer



Cam installation:
Place pin of reversible cam stop in hole #1. Place cam as pictured above. Assemble outer cam driver so that the pin from the cam is to left of the "ears." Screw in cam screw until tight.

Function:
Left-hand door,
vertical drawer

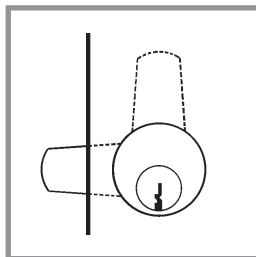


Cam installation:
Place pin of reversible cam stop in hole #2. Place cam as pictured above. Assemble outer cam driver so that the pin from the cam is to right of the "ears." Screw in cam screw until tight.

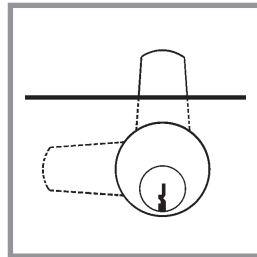


Rear view

DOOR



DRAWER

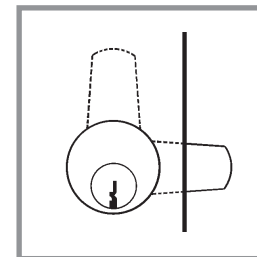


360° key rotation, key removable at cam positions 9:00 and 12:00

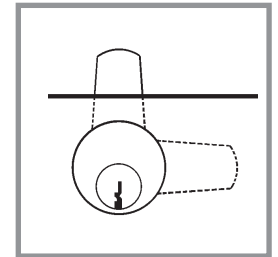


Rear view

DOOR



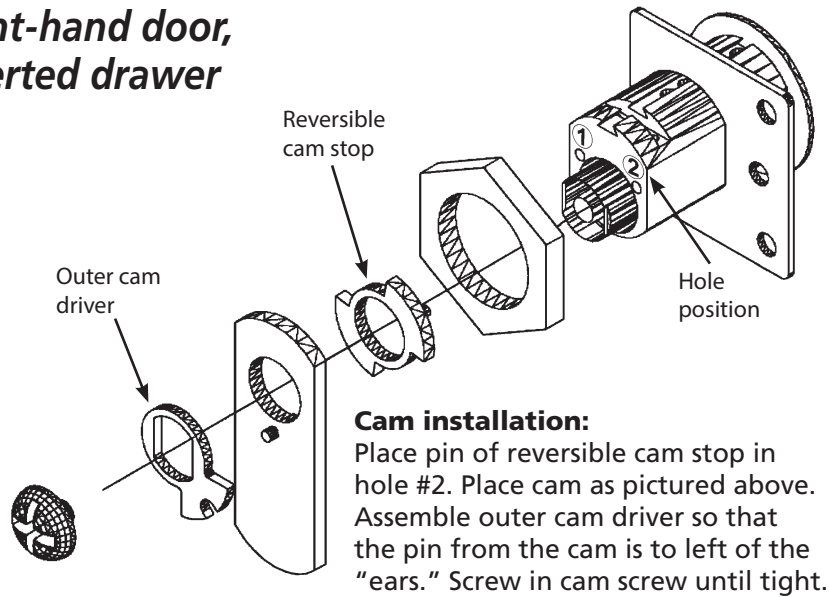
DRAWER



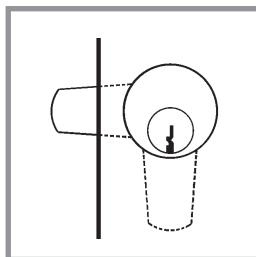
360° key rotation, key removable at cam positions 12:00 and 3:00

All below configurations can be used with straight cam or offset cam (in either the inbent or outbent position).

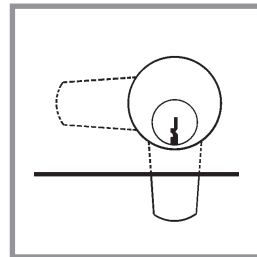
Function:
Right-hand door,
inverted drawer



DOOR



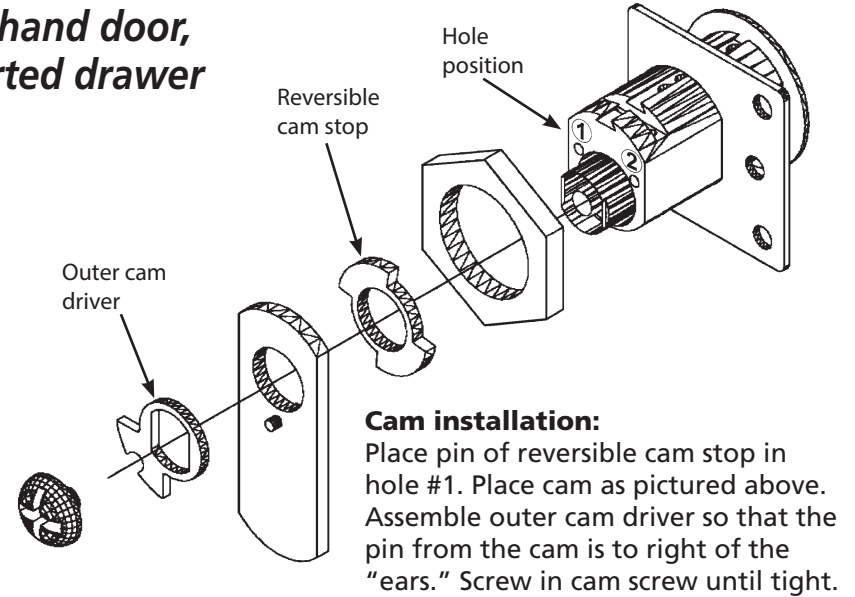
DRAWER



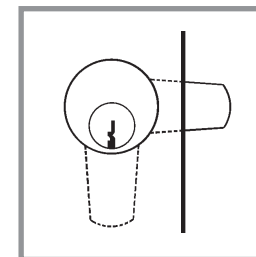
Rear view

360° key rotation, key removable at cam positions 6:00 and 9:00

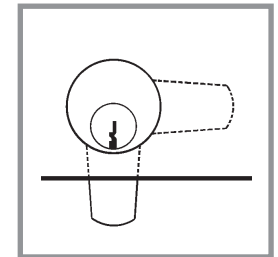
Function:
Left-hand door,
inverted drawer



DOOR



DRAWER



Rear view

360° key rotation, key removable at cam positions 3:00 and 6:00