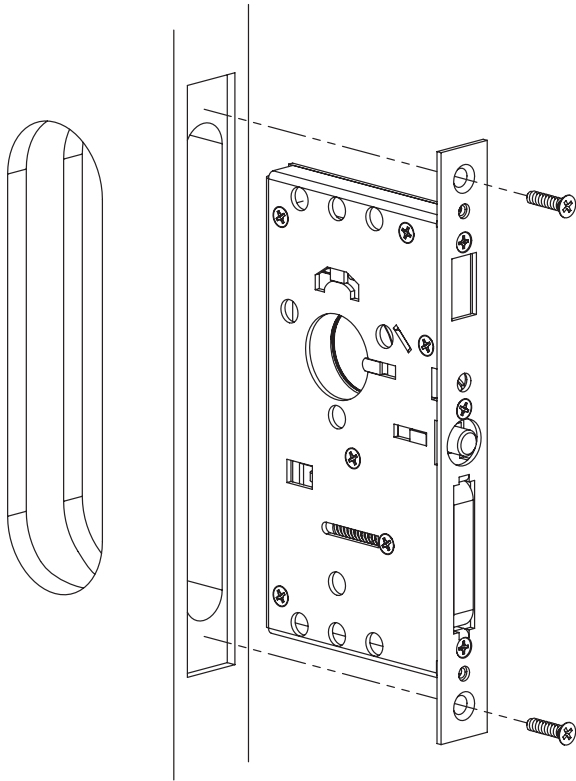
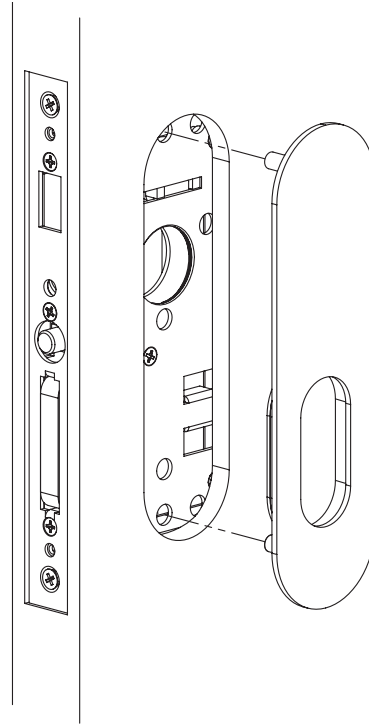


1. Install Lock Body



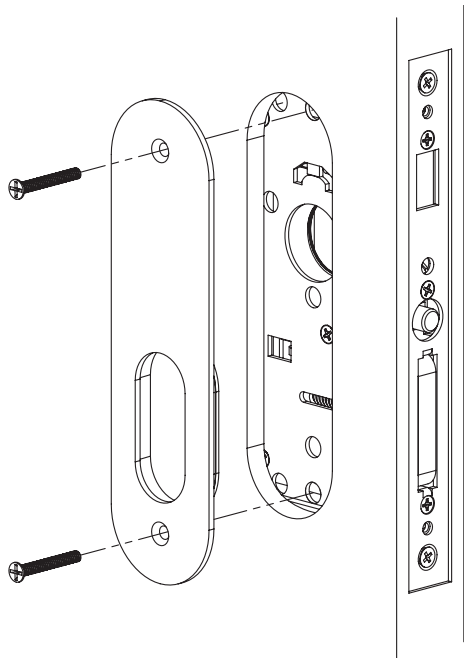
See template for door prep specifications

2. Install Outside Plate

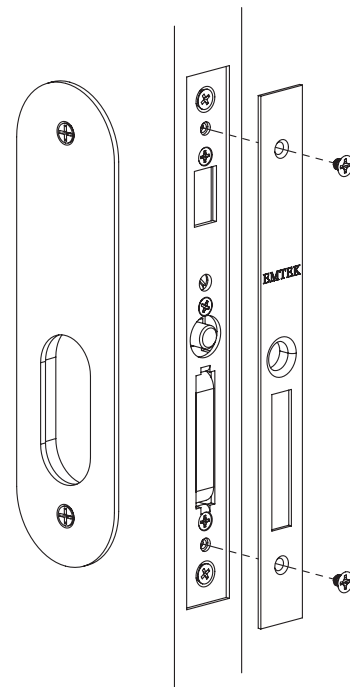


TRIMS VARY  
NARROW OVAL SHOWN

3. Install Inside Plate



4. Install Trim Plate



Passage Trim shown