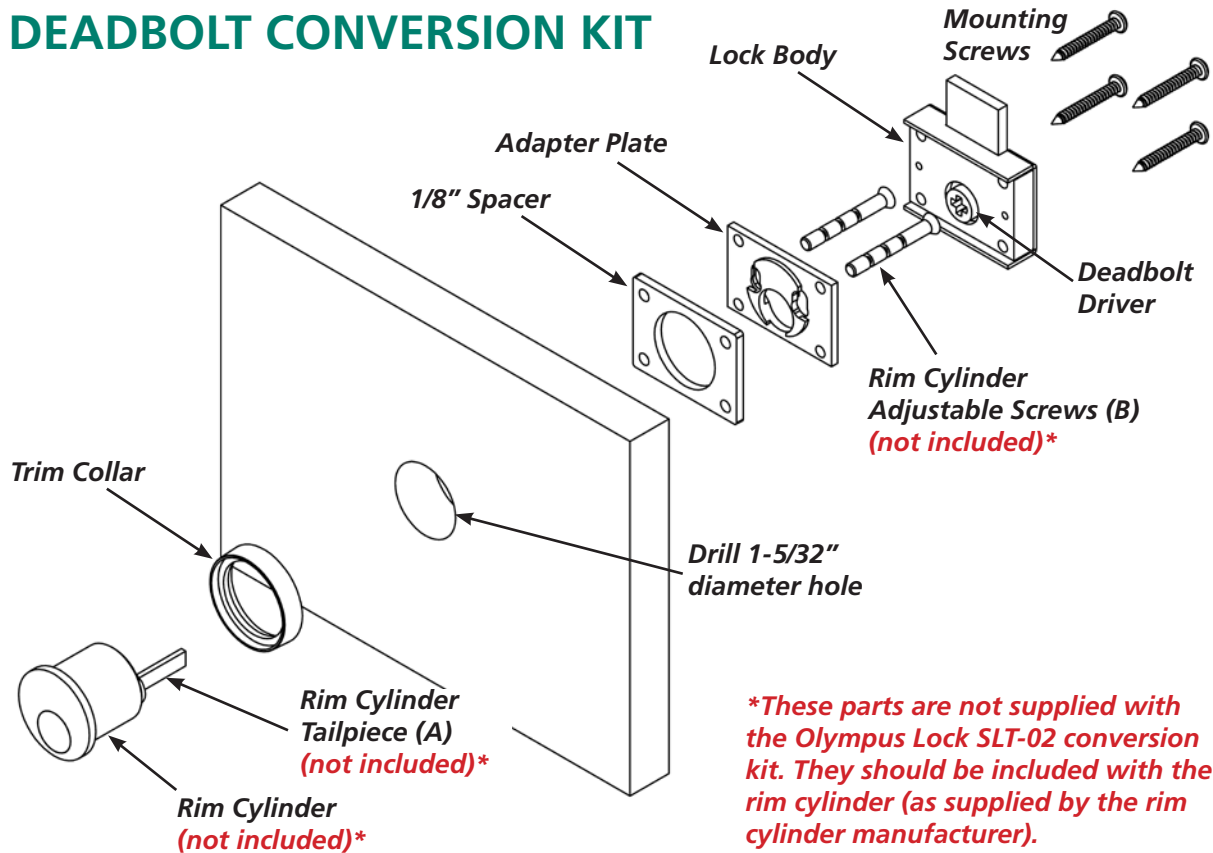


DEADBOLT CONVERSION KIT



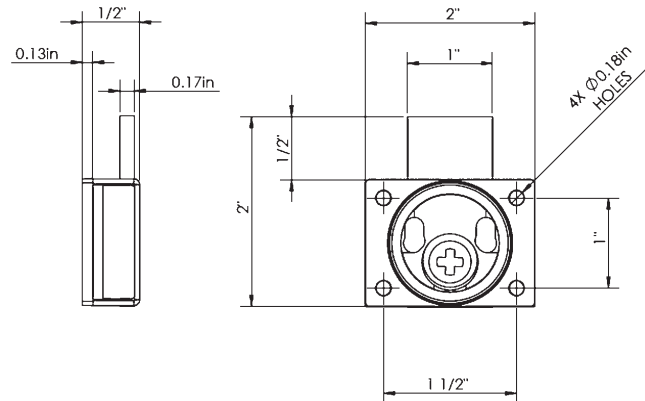
**These parts are not supplied with the Olympus Lock SLT-02 conversion kit. They should be included with the rim cylinder (as supplied by the rim cylinder manufacturer).*

Included Accessories:

Trim collar, 1/8" plastic spacer, adapter plate, lock body, deadbolt driver, mounting screws, 1/4" plastic bar strike.

Optional Accessories:

Plastic spacers: 1/8", 1/4" or 1/2", and assorted bar and angle strikes. (See www.olympuslock.com for details on all optional accessories).



INSTALLATION STEPS

- Step 1.** Determine where the lock will be located, then drill a 1-5/32" diameter hole for insertion of the Rim Cylinder. You may elect to drill pilot holes for the lock Mounting Screws at this time as well.
- Step 2.** Insert the Rim Cylinder through the Trim Collar, then through the hole created in Step 1.
- Step 3.** Determine if you will be using the supplied 1/8" Spacer or any of our other optional spacers.
- Step 4.** Hold the Adapter Plate and Spacer (if applicable) into place, then trim the Rim Cylinder Adjustable Screws (B) and Rim Cylinder Tailpiece (A) as required for a secure fit. The Rim Cylinder Tailpiece (A) should fit securely into the plus + shaped receiver of the Deadbolt Driver within in the Lock Body, but should not be so long that it protrudes all the way through the + shape and interferes with the smooth movement of the bolt when turning the key.
- Step 5.** Secure the Rim Cylinder, Trim Collar, Spacer (if applicable) and Adapter Plate into place using the Rim Cylinder Adjustable Screws modified to the correct length in Step 4.
- Step 6.** Fit the Lock Body onto the back of the cabinet so the Rim Cylinder Tailpiece (trimmed earlier in Step 4) fits into the + shaped receiver of the Deadbolt Driver within the Lock Body. Secure into place with the supplied Mounting Screws.
- Step 7.** Install bar strike (not shown) where applicable.

Note: Varying material thicknesses can be accommodated by modifying the length of the Rim Cylinder Tailpiece (A) and Adjustable Screws (B) which are included standard in the Rim Cylinder package, and using or not using the supplied 1/8" Spacer. (Additional spacers are available separately. (See www.olympuslock.com for details).)